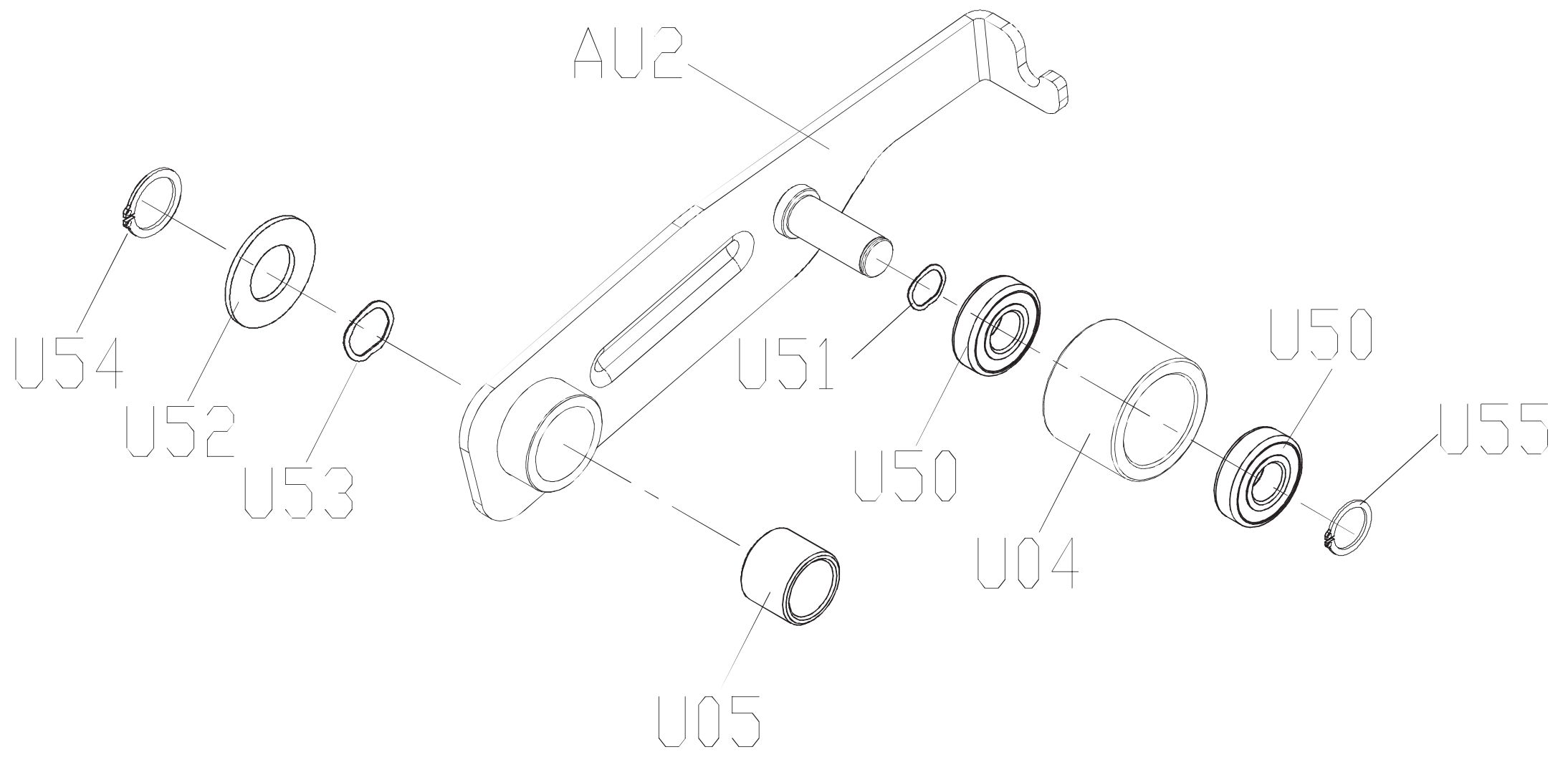
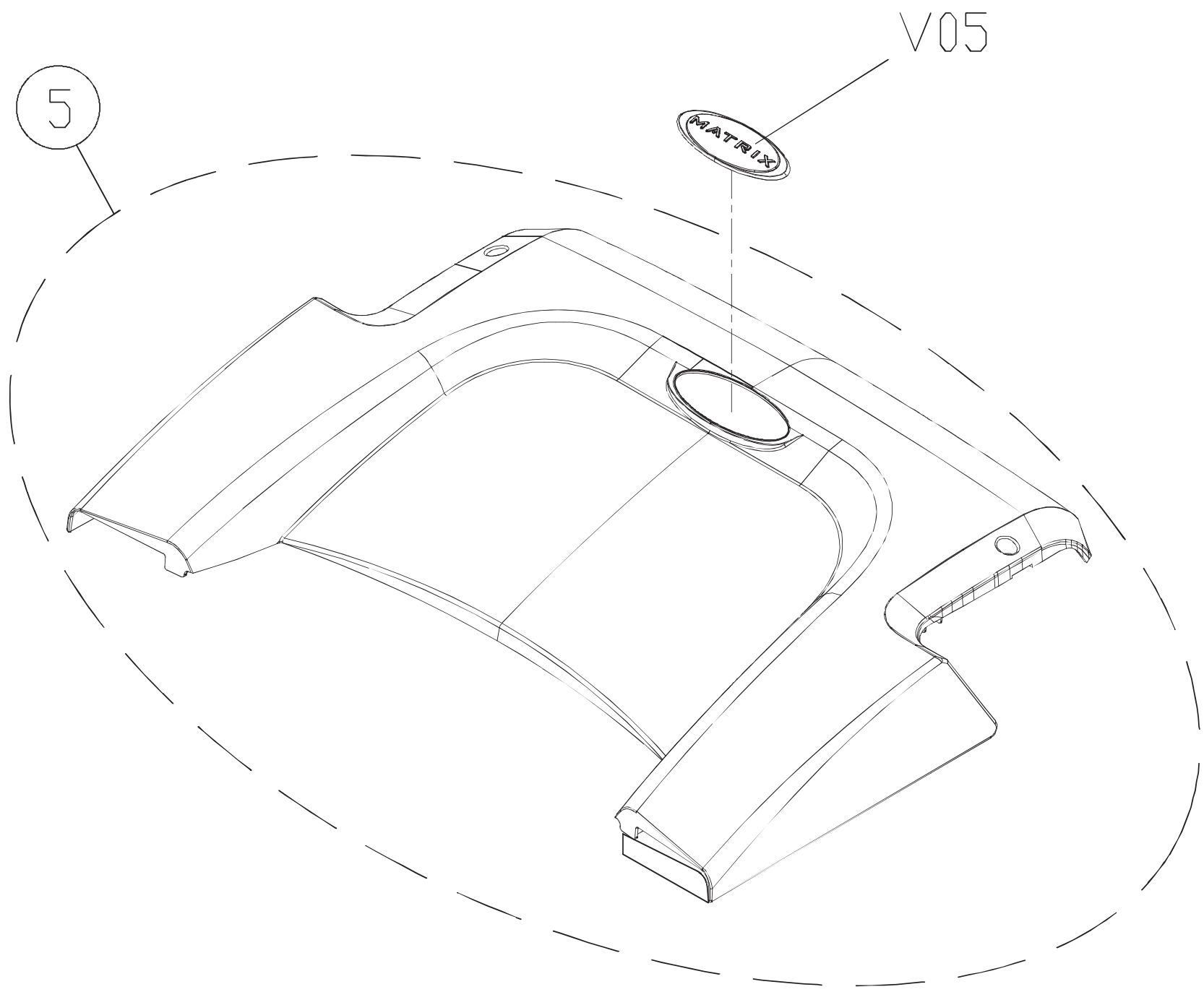




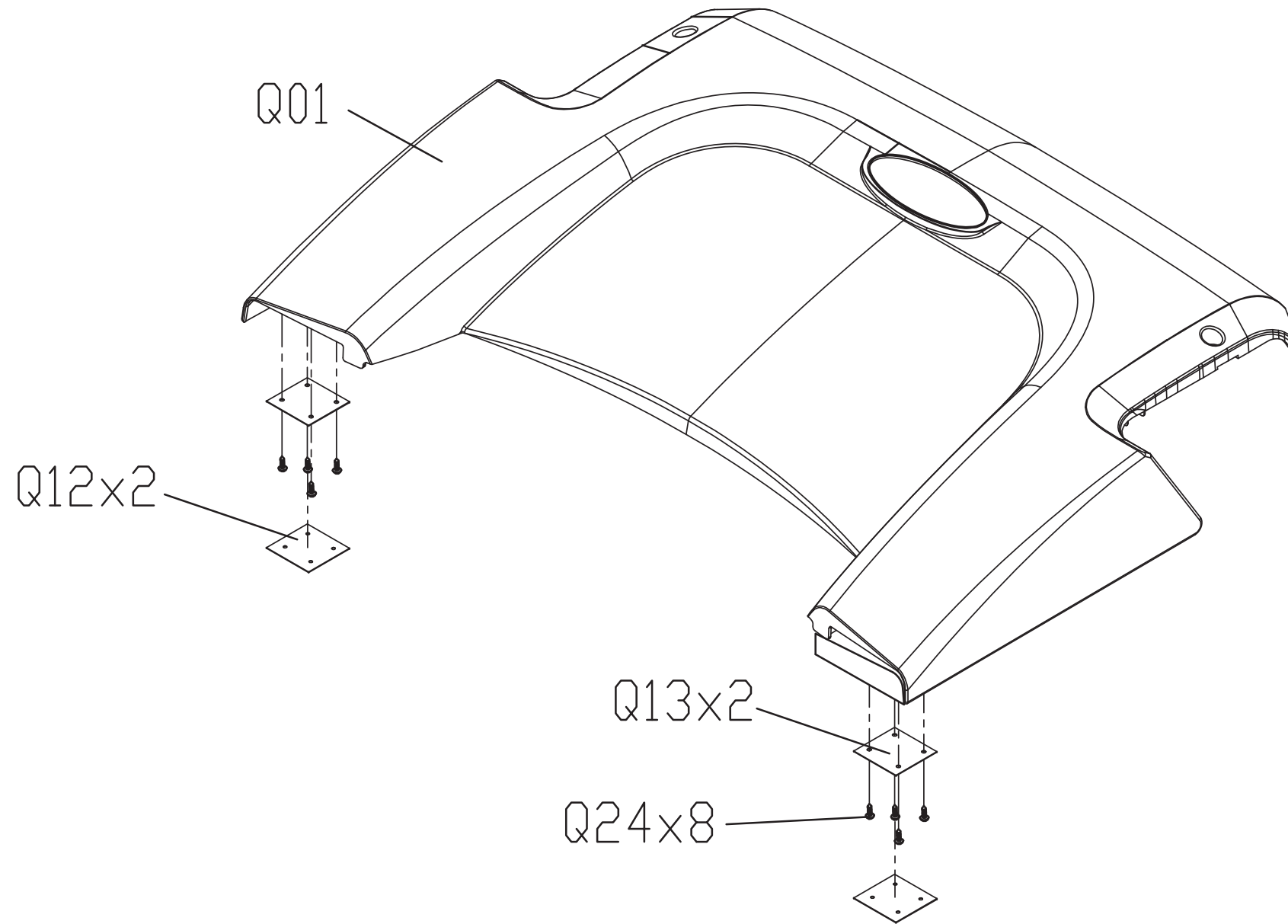
DRAWING NO	TM501-AU11		
PART NAME	TENSION WHEEL SET		
PART NO	0000088969 <sup>R</sup> <sub>B</sub>		
APPROVE	SHUYI	DATE	122413



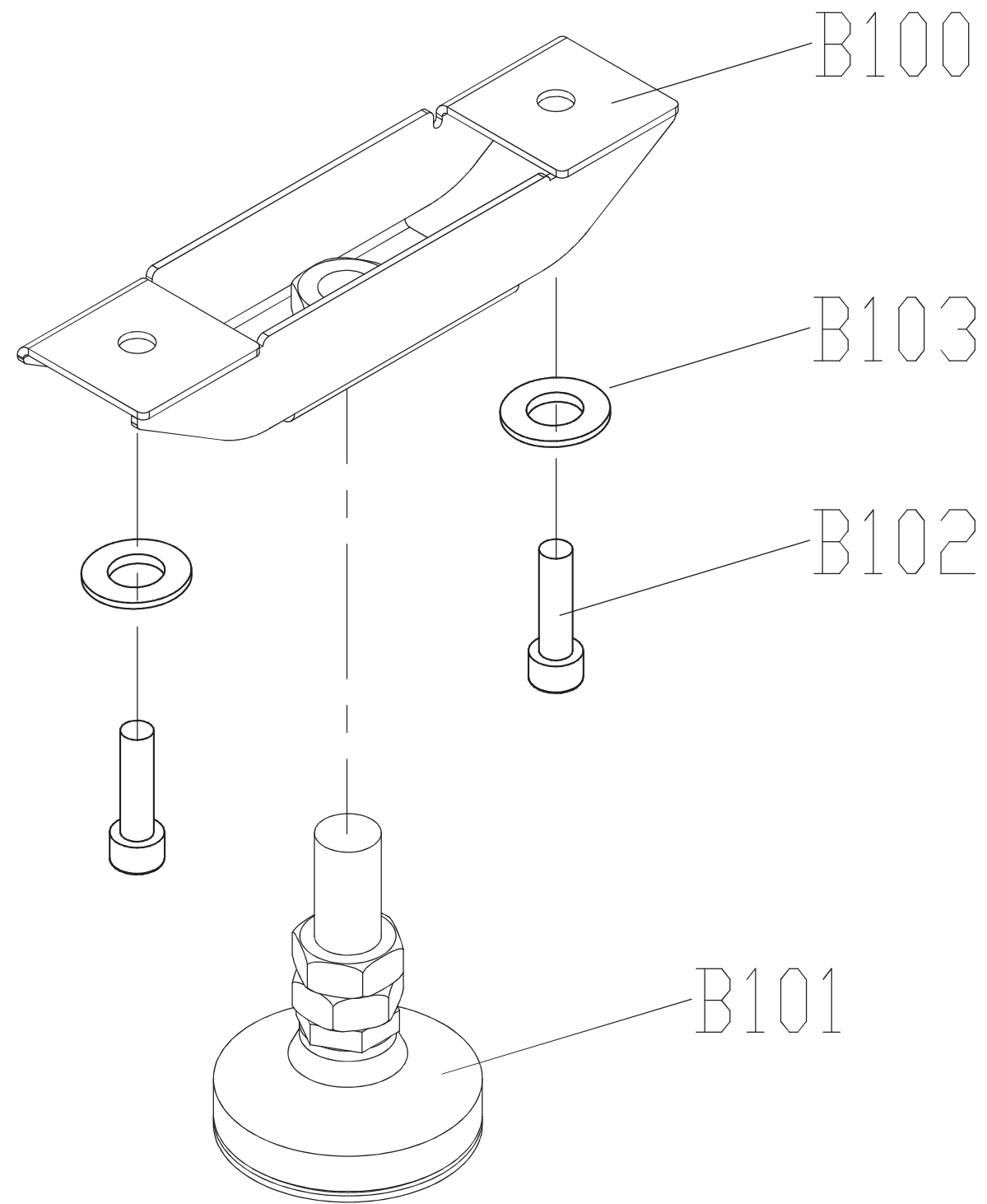
DRAWING NO	TM501-AQ10		
PART NAME	Motor Covver Net;With Lebal		
PART NO	0000088973 <sup>R</sup> <sub>B</sub>		
APPROVE	SHUYI	DATE	122413



DRAWING NO	TM501-AQ11		
PART NAME	Motor Cover Set		
PART NO	0000088989 <sup>R</sup> <sub>B</sub>		
APPROVE	SHUYI	DATE	100411

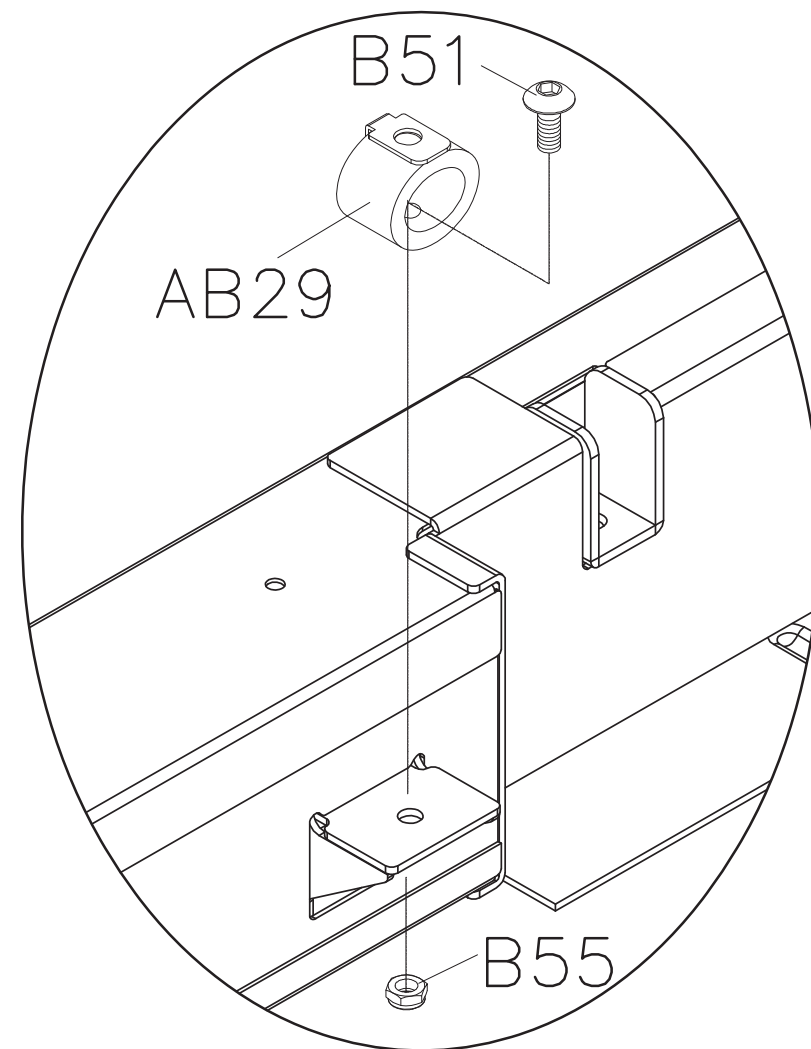
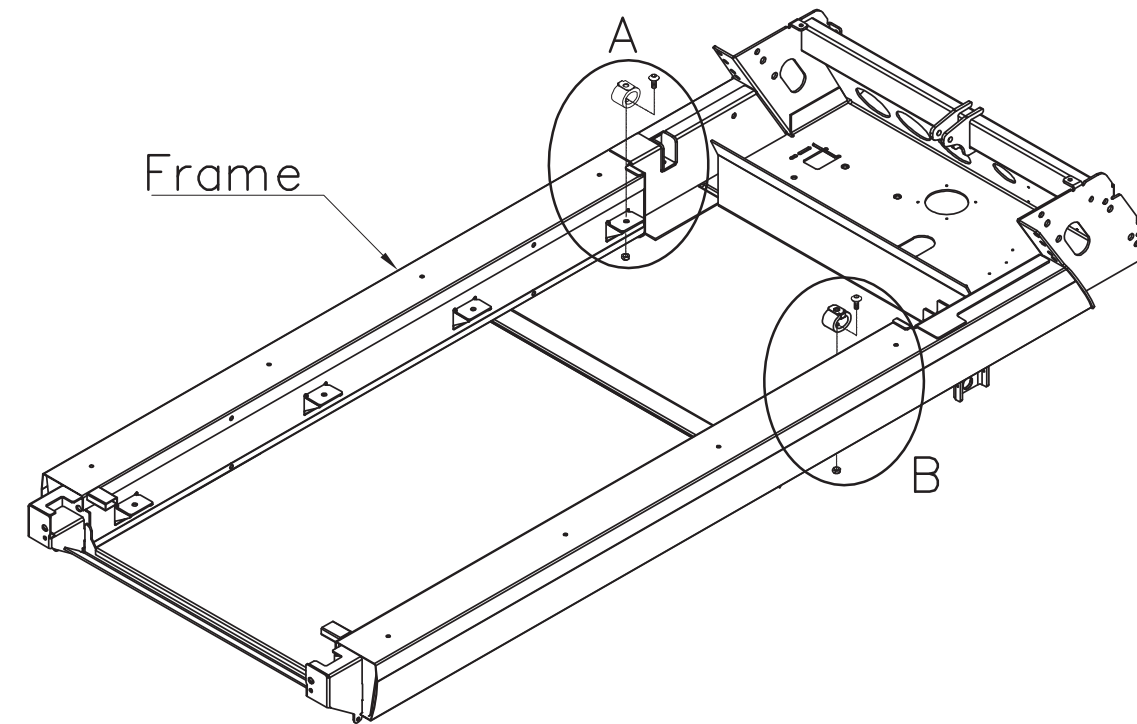


DRAWING NO 圖號	TM501-AB25
PART NAME(CH) 零件名稱(中文)	脚踏垫圈系且; 後
PART NAME(EN) 零件名稱(英文)	ADJUSTABLE REAR FOOT SET
SAP PART NO SAP料號	0000088993 REV A

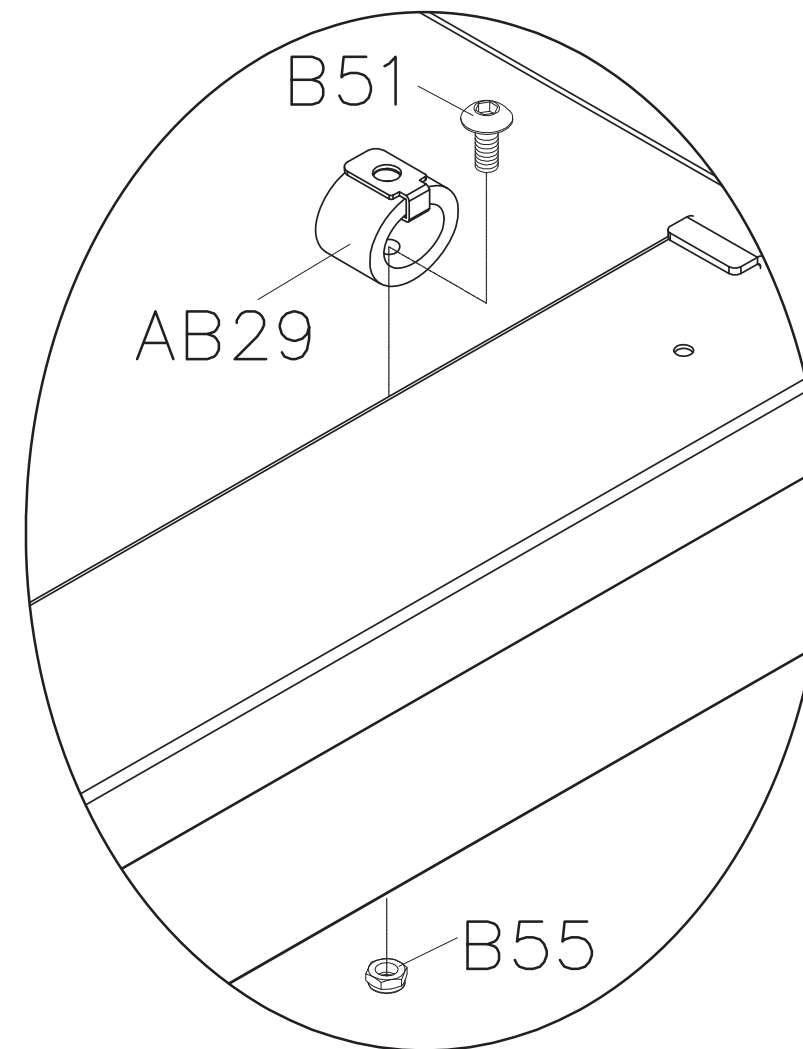


DRAWING NO	TM501-AB21		
PART NAME	Elastomer Set;Running Deck;Front		
PART NO	As Attachment		
APPROVE	S.T.C	DATE	060512

Part No.	Description
0000089487	Nai Ri
1000233263	Miner



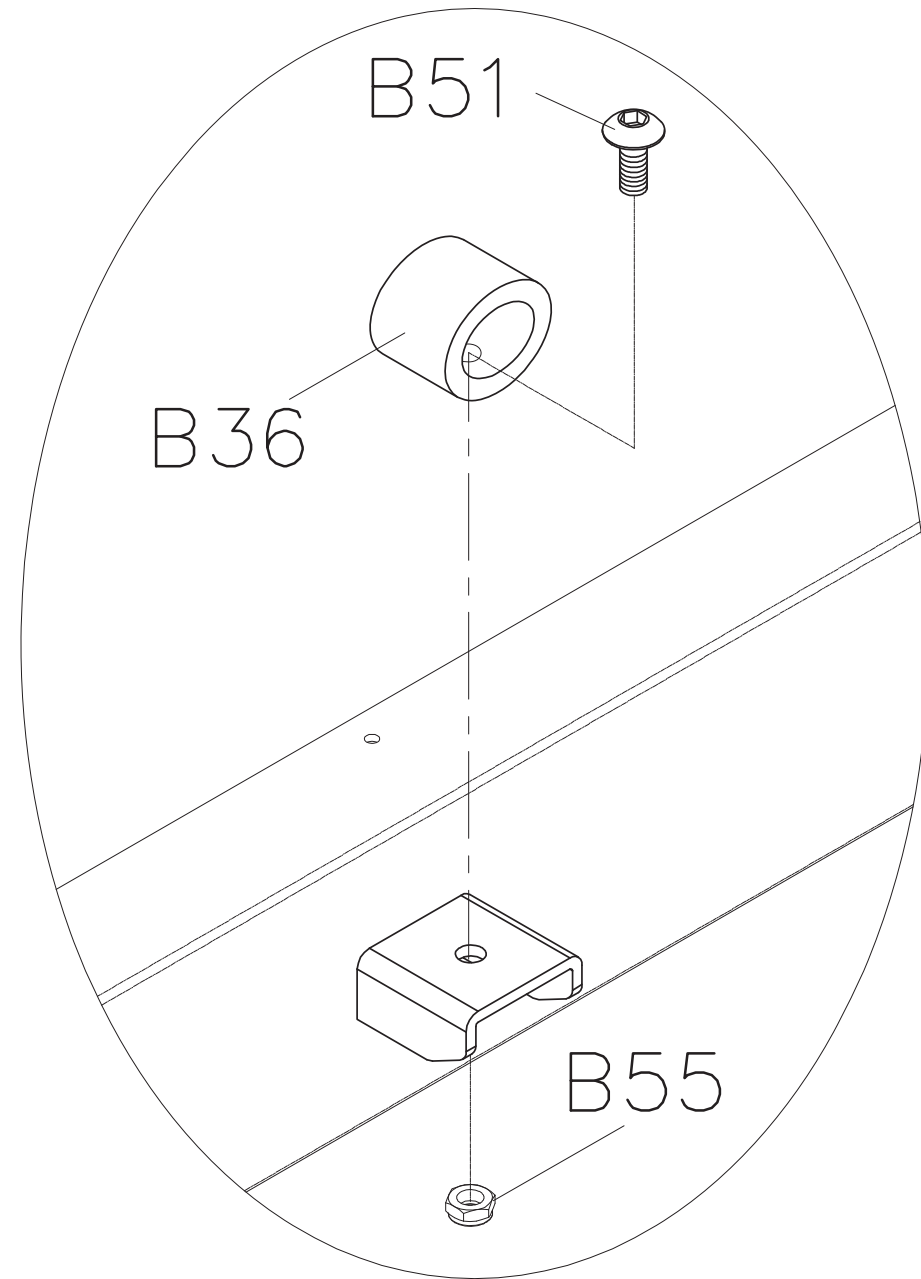
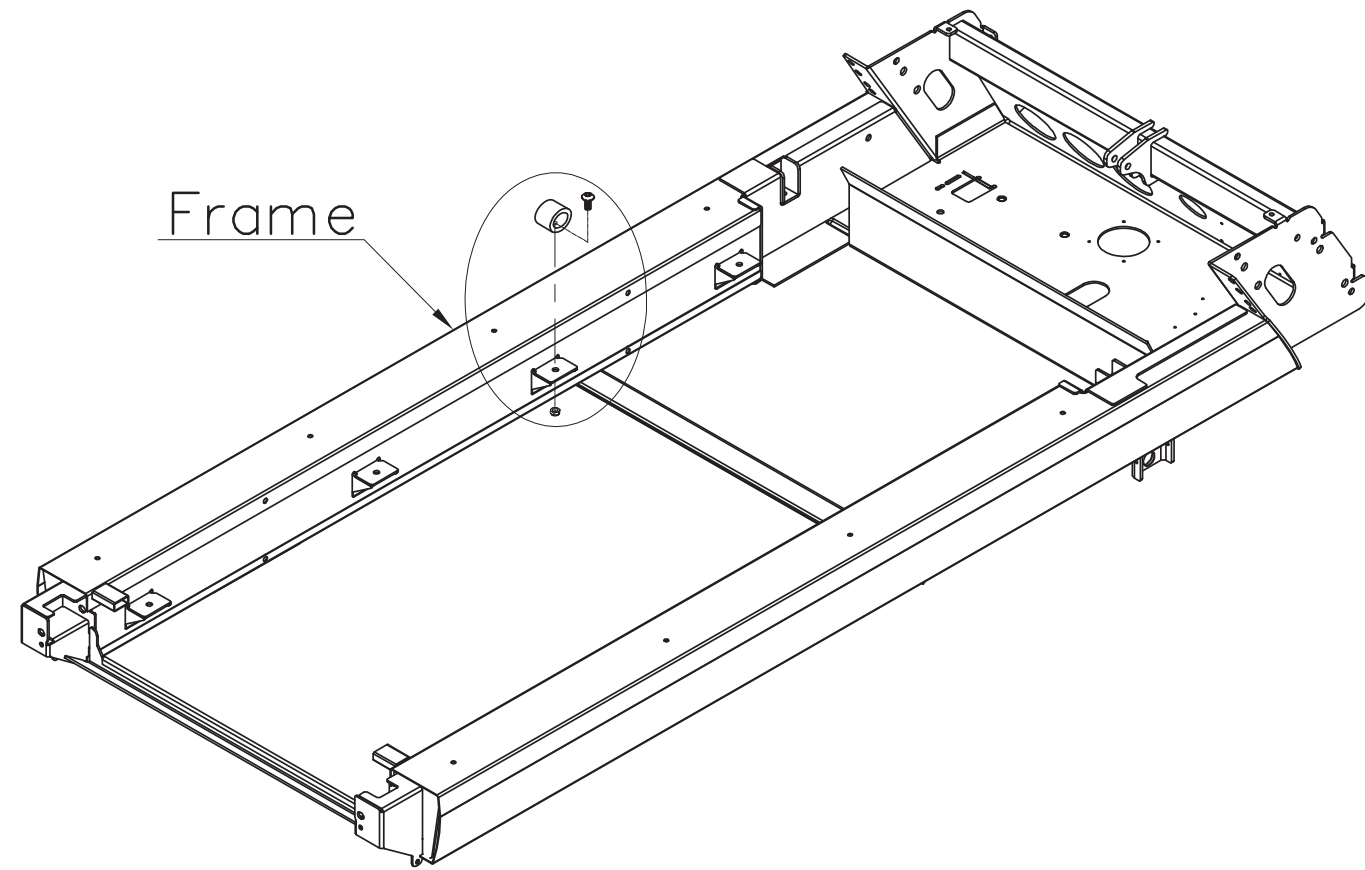
A 詳圖(1:5)



B 詳圖(1:5)

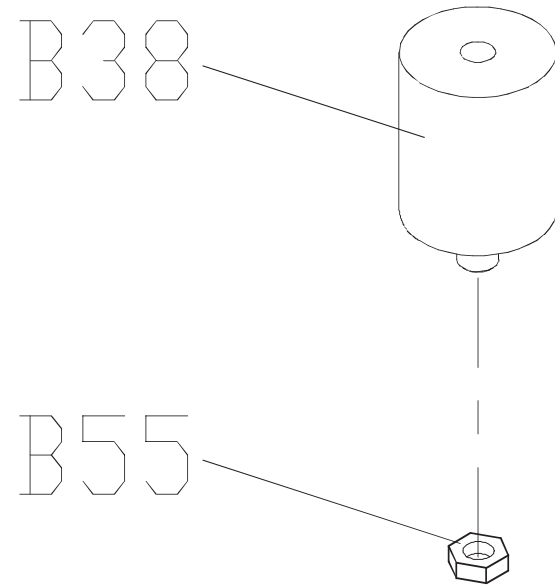
DRAWING NO	TM501-AB22		
PART NAME	Elastomer Set;Running Deck;Middle		
PART NO	As Attachment <sup>R</sup> / <sub>L</sub> B		
APPROVE	S.T.C	DATE	060512

Part No.	Description
0000089488	Nai Ri
1000233264	Miner

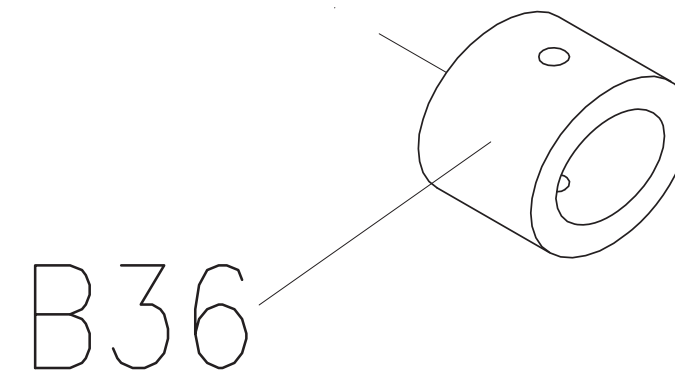
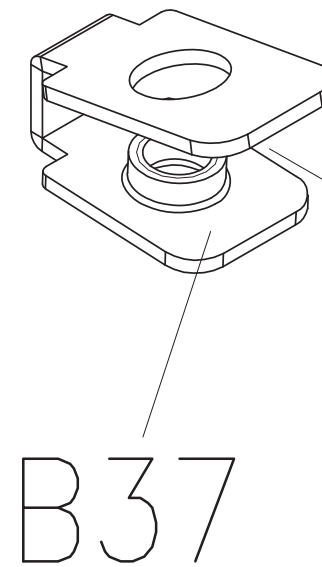
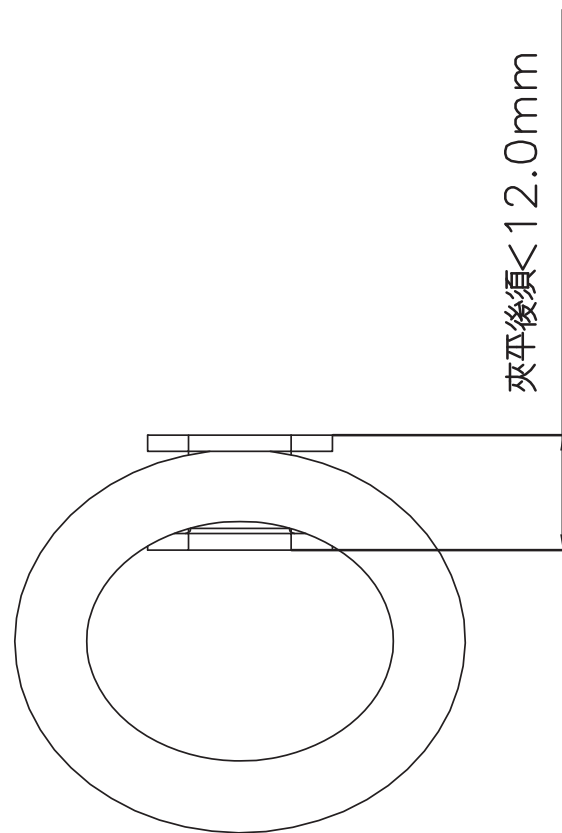
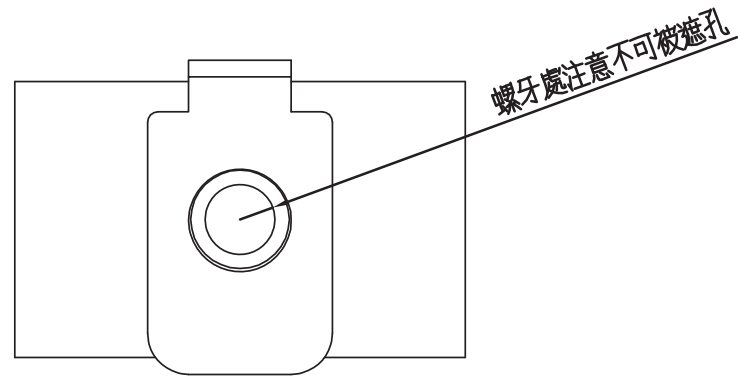
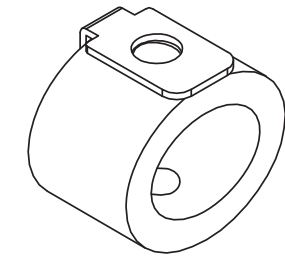


A(1:5)

DRAWING NO	TM501-AB23		
PART NAME	Elastomer Set;Running Deck;Back		
PART NO	0000089489 <sup>R</sup> <sub>E</sub> B		
APPROVE	SHUYI	DATE	122413



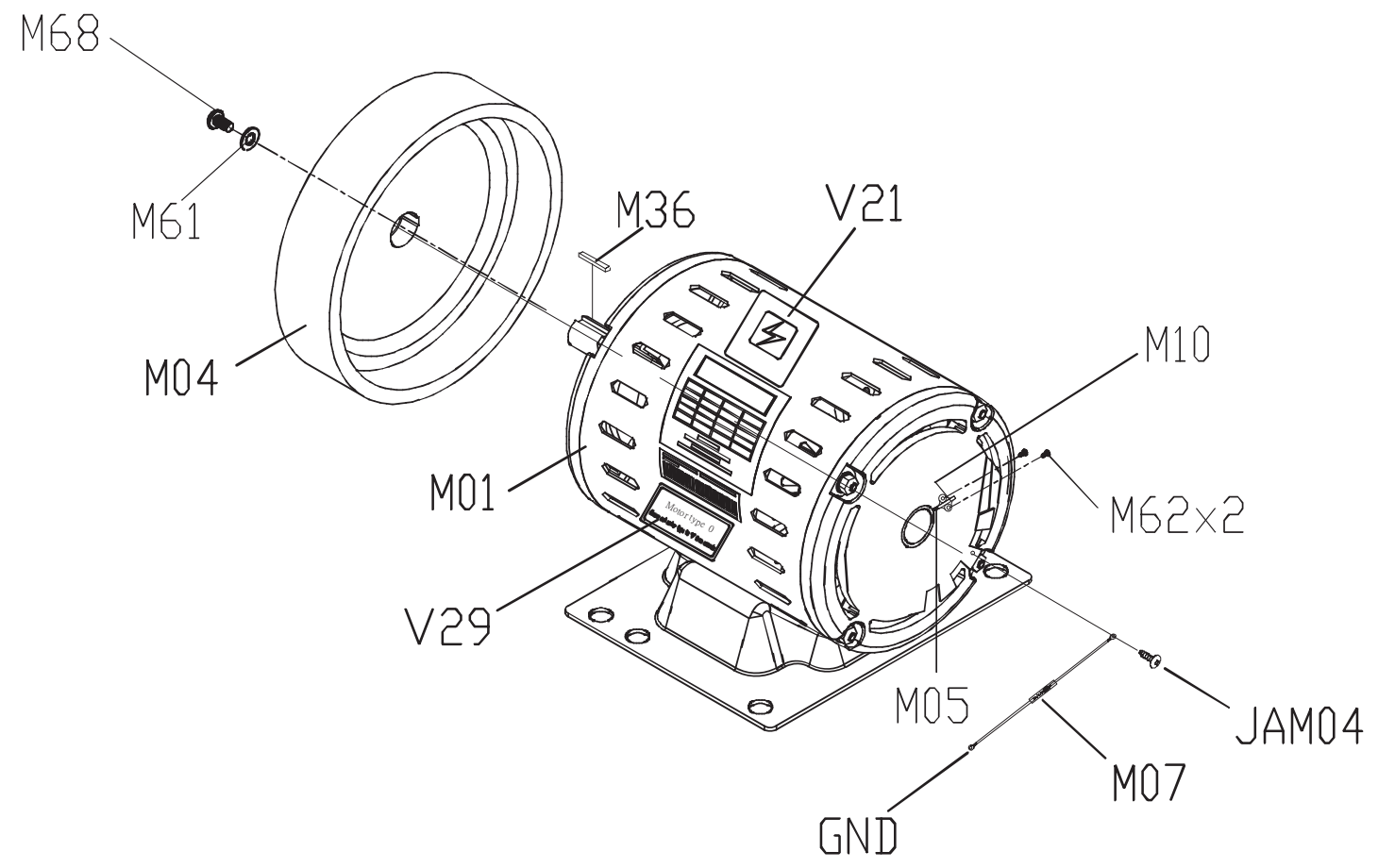
DRAWING NO	TM501-AB29		
PART NAME	Elastomer Set; Miner		
PART NO	As Attachment <sup>REV</sup> C		
APPROVE	S.T.C	DATE	092110



Part No.	Description
1000204015	Miner
0000095663	Nai Ri

DRAWING NO	TM501G-AM1		
PART NAME	Motor Set		
PART NO	1000302210	REV	D
APPROVE	NATURE	DATE	052316

Notes:  
Deviation: under 0.4mm



DRAWING NO	TM501E-AP12		
PART NAME	Power Switch Set		
PART NO	As Attachment <sup>R</sup> / <sub>V</sub> C		
APPROVE	SUNNY	DATE	100913

Part NO	Description
1000230705	Power Switch Set;1US;T5x-04
1000302213	Power Switch Set;2KM;T-5X/7X-04-F4

