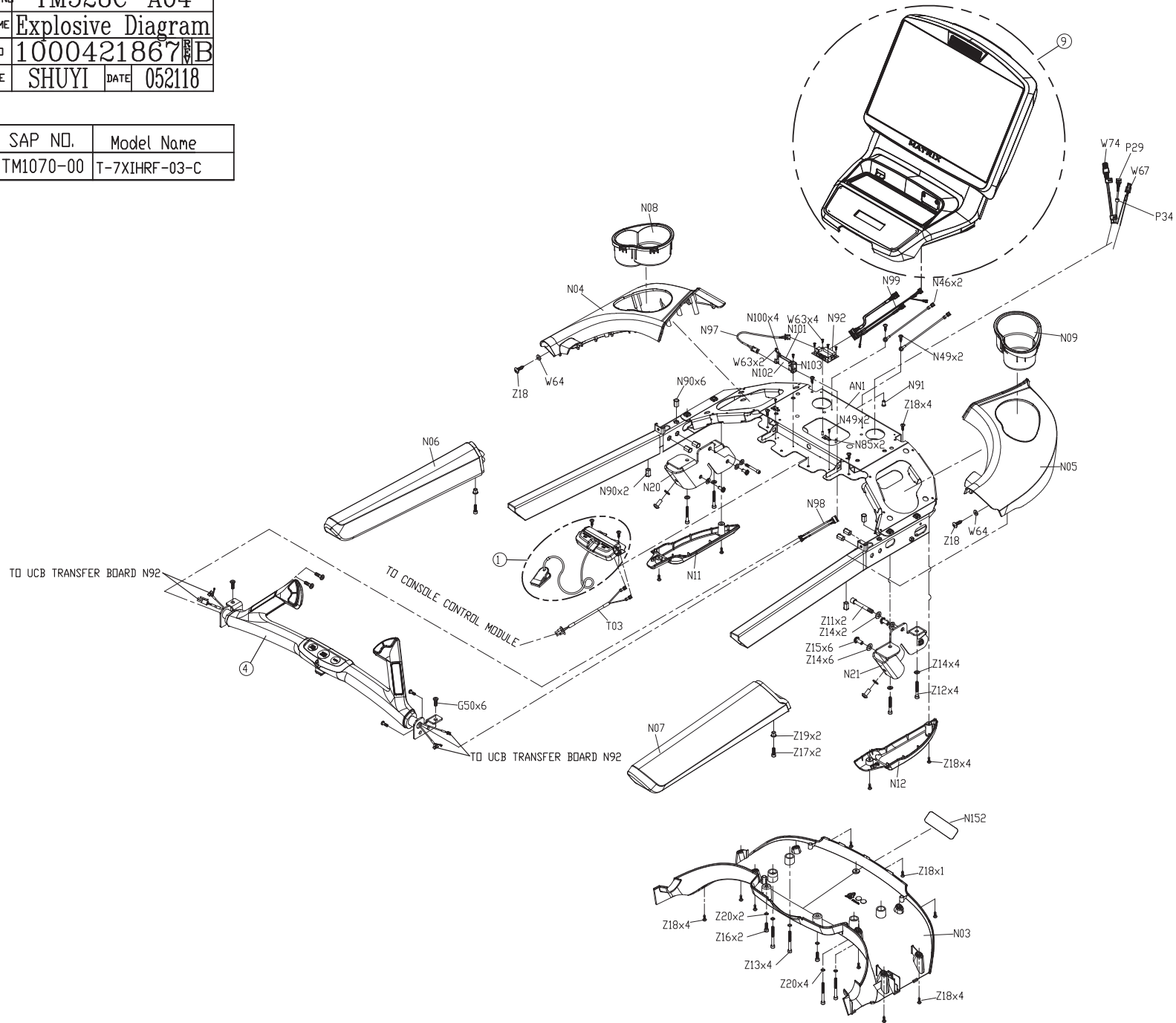


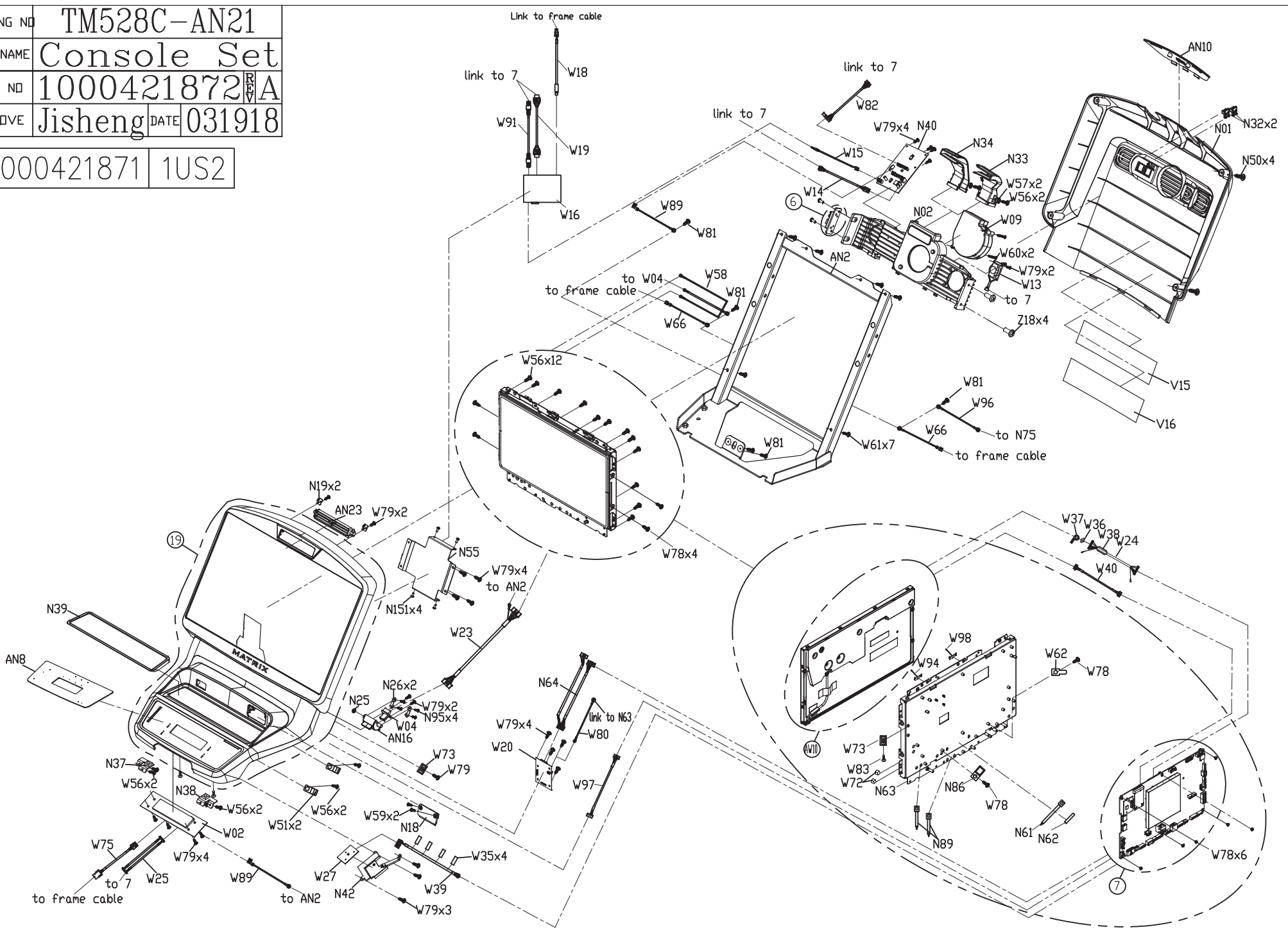
DRAWING NO.	TM528C-A04
PART NAME	Explosive Diagram
PART NO.	1000421867-1B
APPROVE	SHUYI DATE 052118

SAP NO.	Model Name
MTM1070-00	T-7XIHFRF-03-C

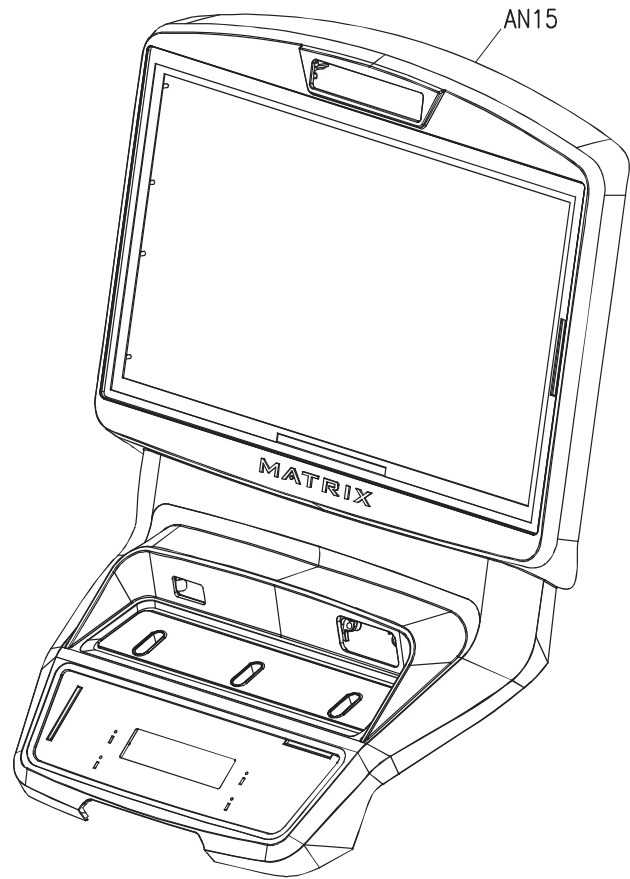
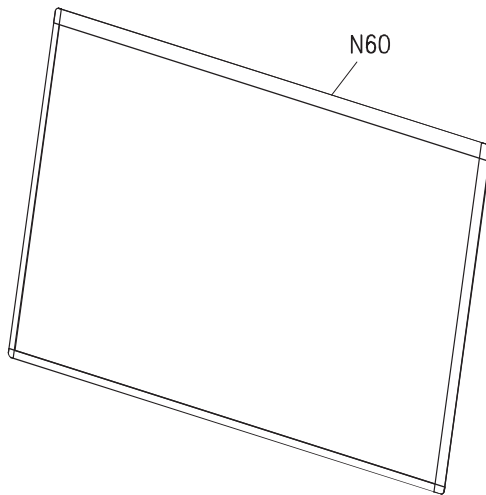
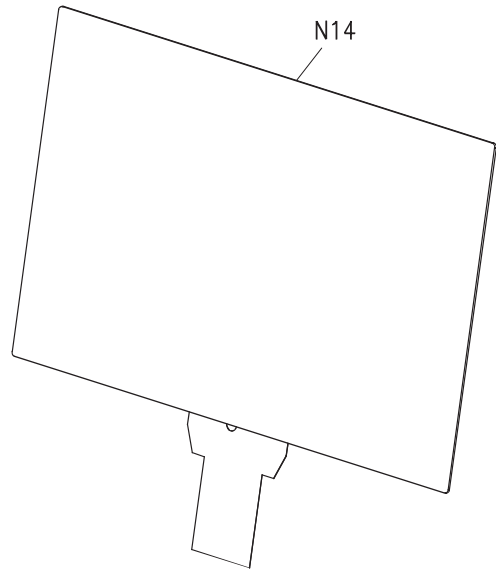


DRAWING NO	TM528C-AN21
PART NAME	Console Set
PART NO	1000421872
APPROVE	Jisheng
DATE	031918

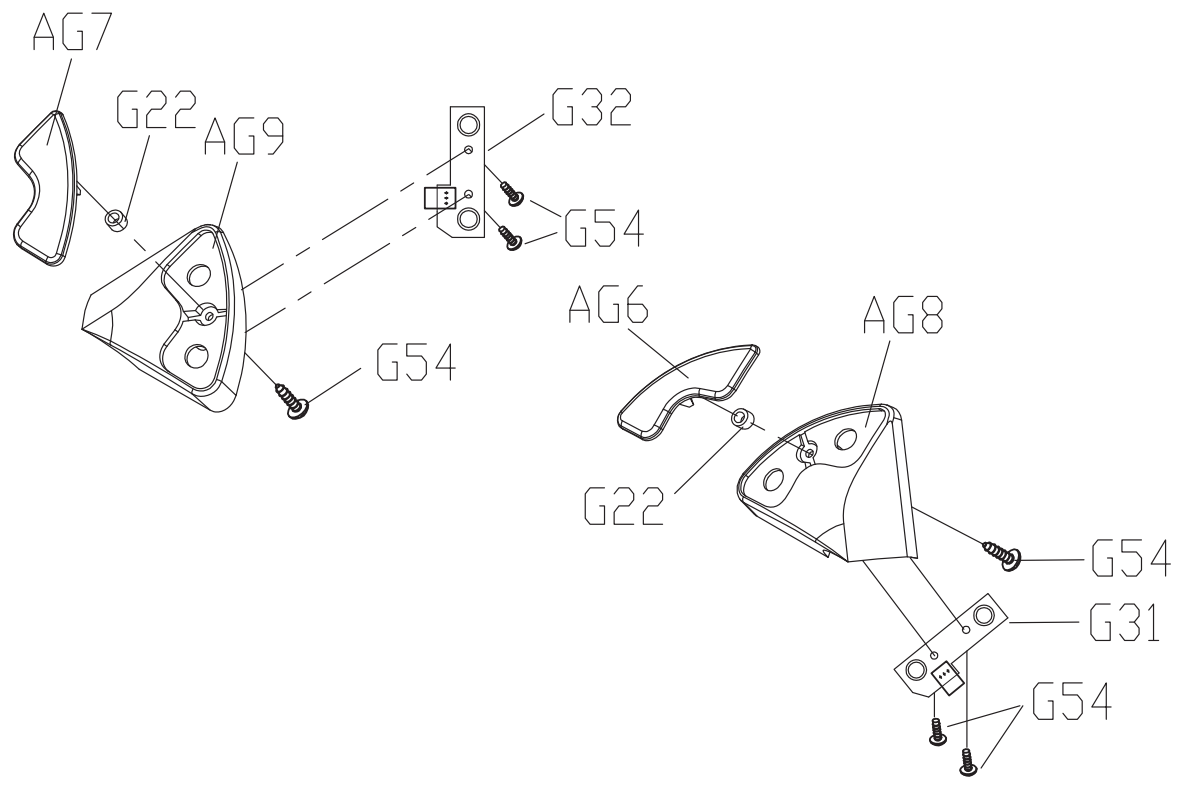
1000421871 1US2



DRAWING NO	TM528-AN14
PART NAME	Overlay Set;Touch panel
PART NO	1000356706 A
APPROVE	Hunter
DATE	01222015



DRAWING NO	TM502-AG12		
PART NAME	Quick Key Set		
PART NO	0000089687		
APPROVE	SHUYI	DATE	101211

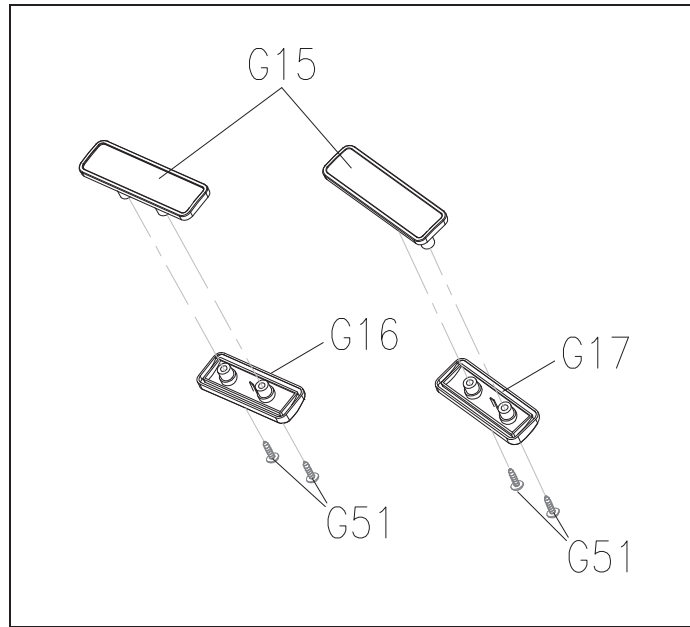




T7x-01-C

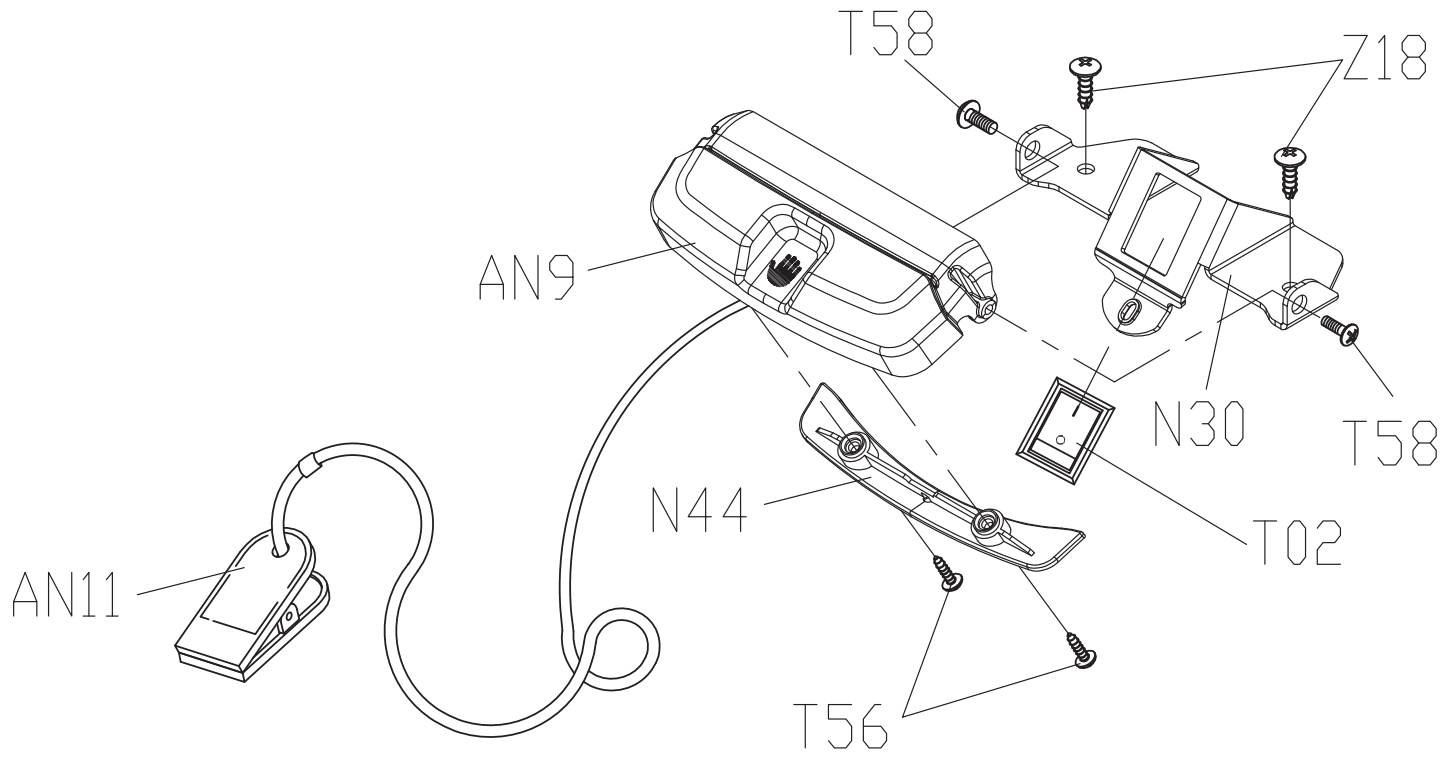
0000091816

HR GRIP COVER SET



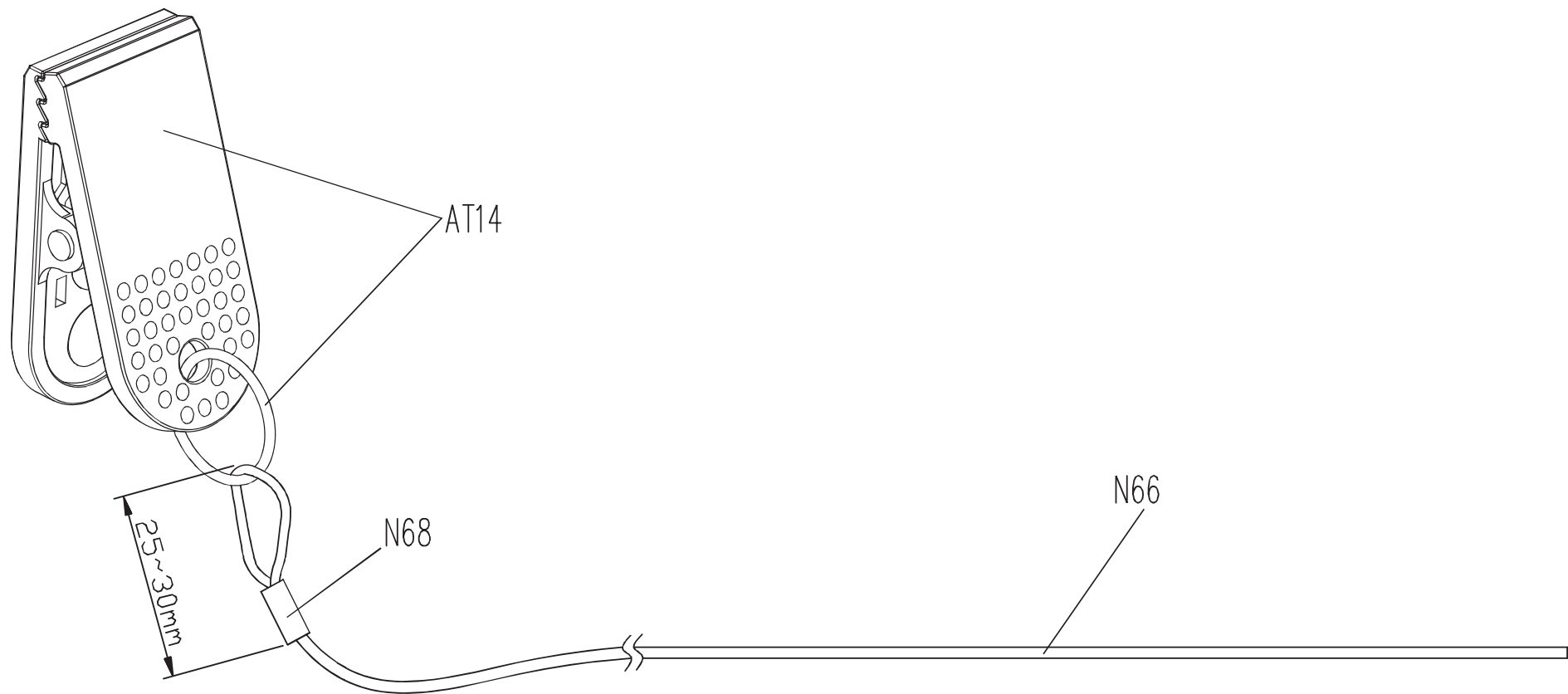
Item No.	SAP Part NO	Description	QTY
G15	0000086068	COVER; SENSOR; UPPER	2
G16	0000086092	COVER; SENSOR; LEFT;	1
G17	0000086271	COVER; SENSOR; RIGHT;	1
G51	0000087858	SCREW; PHILLIP; ROUND;	4

DRAWING NO	TM501-AT6		
PART NAME	SAFETY KEY SET		
PART NO	1000233602		B
APPROVE	S.T.C	DATE	083112

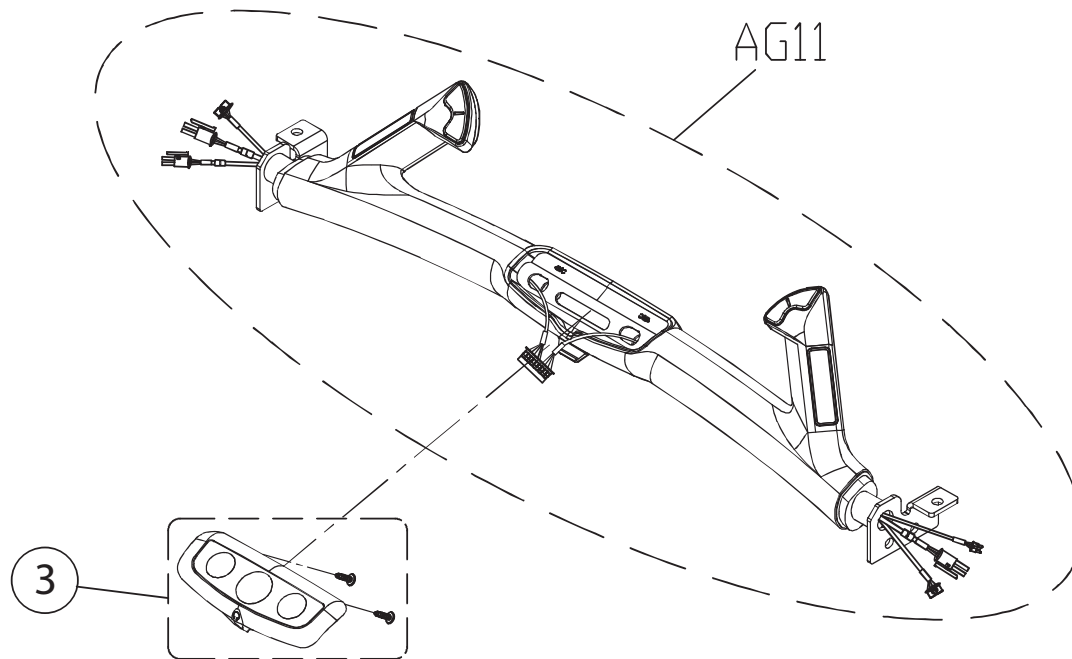


DRAWING NO	TM501-AT13		
PART NAME	Safety Switch Set		
PART NO	1000352475	REV	B
APPROVE	JARVIS	DATE	100314

Note: Length of assembly(Chip/Key ring)860~870mm

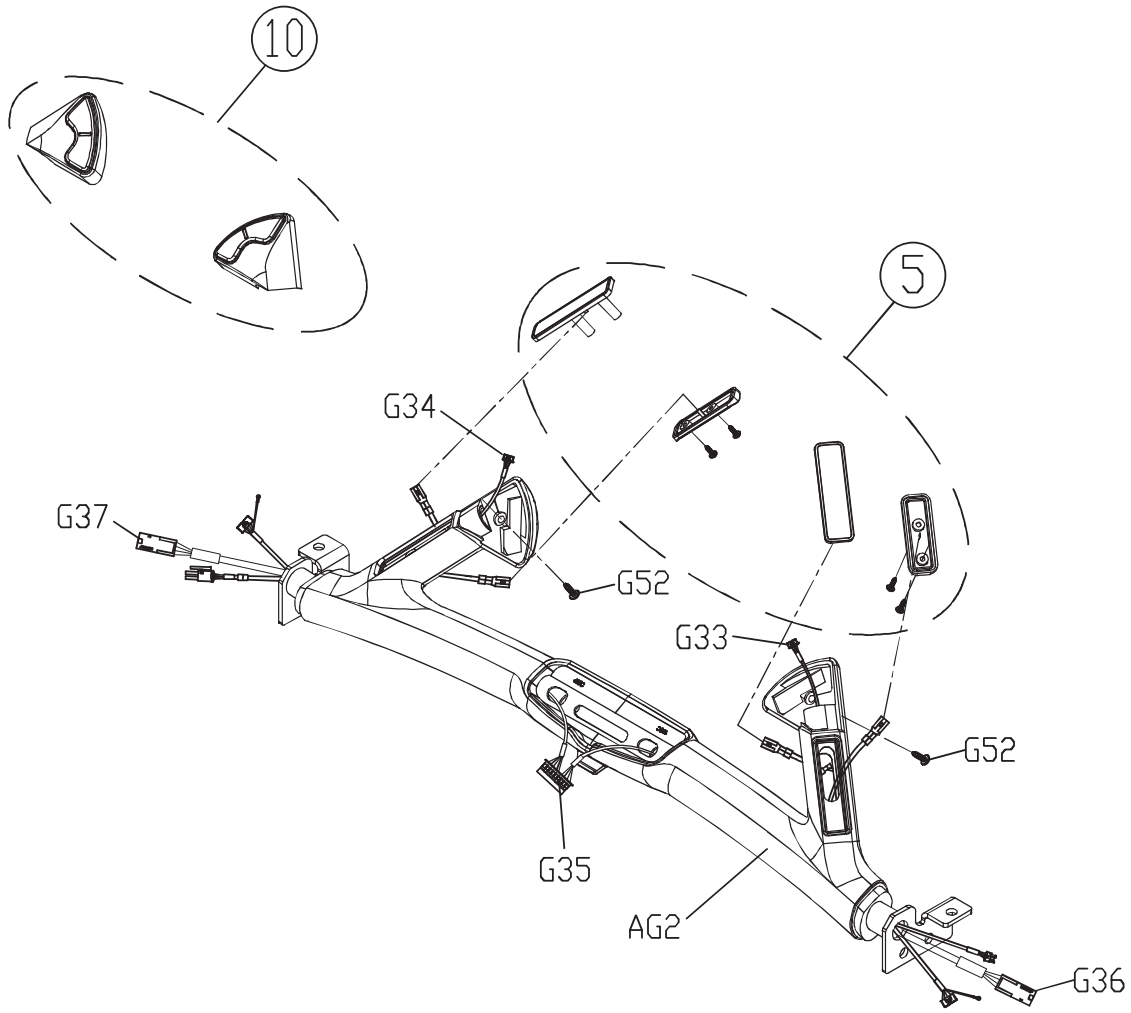


DRAWING NO	TM527-AG21		
PART NAME	Handlebar Set		
PART NO	As Attachment ^R _B		
APPROVE	SHUYI	DATE	052115

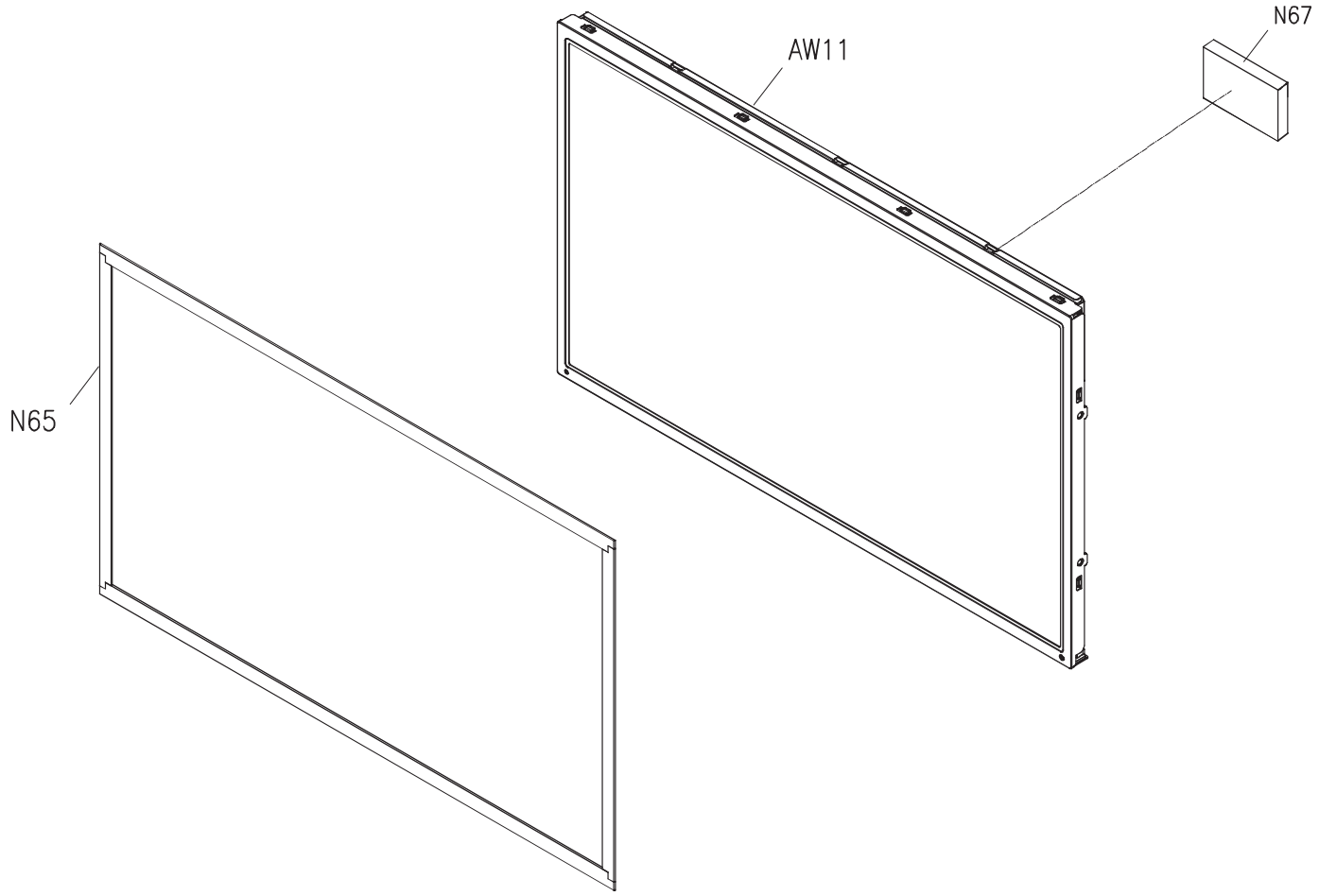


Part NO	Description
1000356217	Handlebar Set;English
1000361041	Handlebar Set;German
1000361043	Handlebar Set;Spanish
1000361045	Handlebar Set;Italian
1000361047	Handlebar Set;French
1000361050	Handlebar Set;Dutch
1000361052	Handlebar Set;Polish
1000361054	Handlebar Set;Portuguese
1000356360	Handlebar Set;Japan

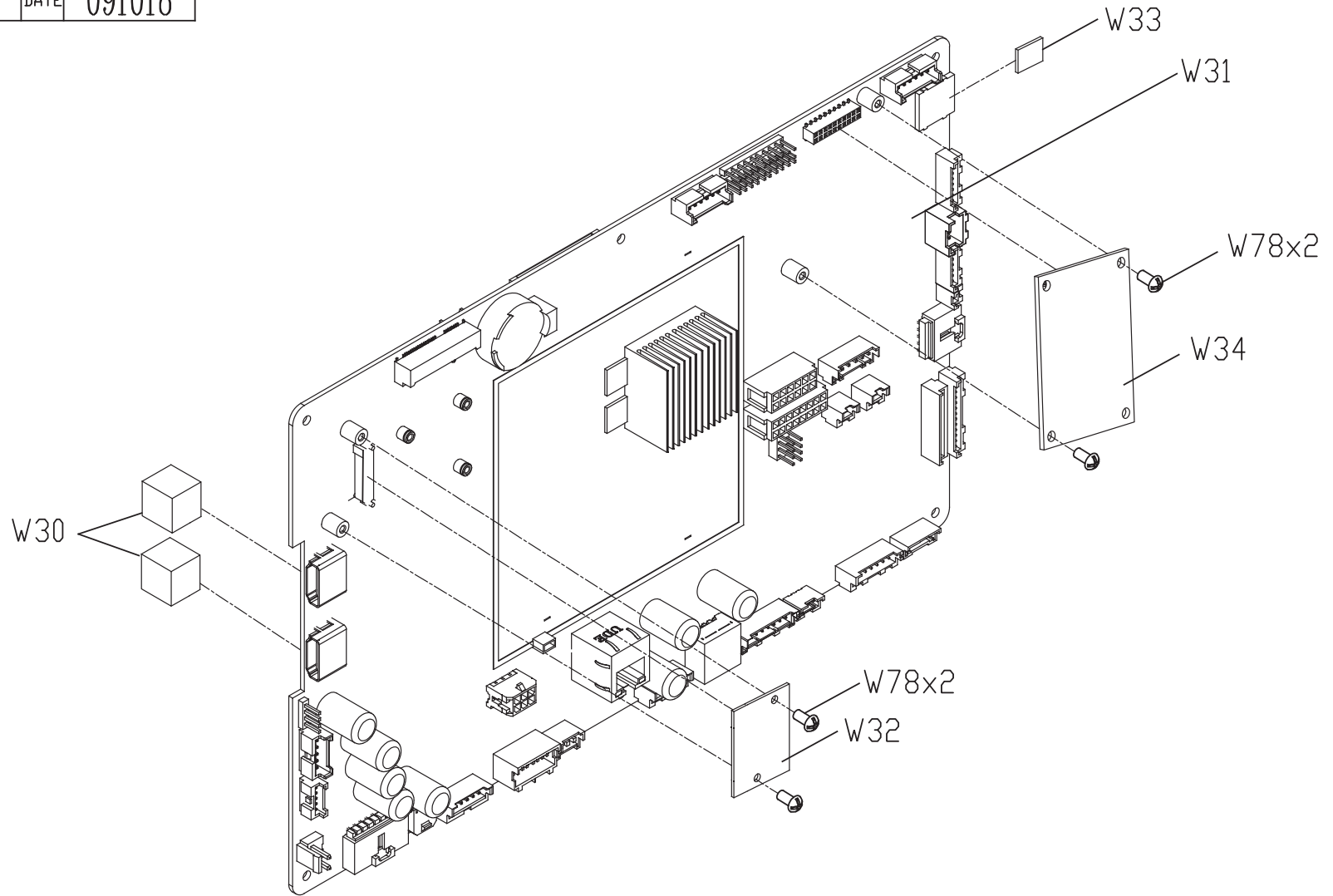
DRAWING NO	TM527-AG11
PART NAME	Handlebar Set
PART NO	1000356383 <small>REV C</small>
APPROVE	Hsinyen
DATE	030915



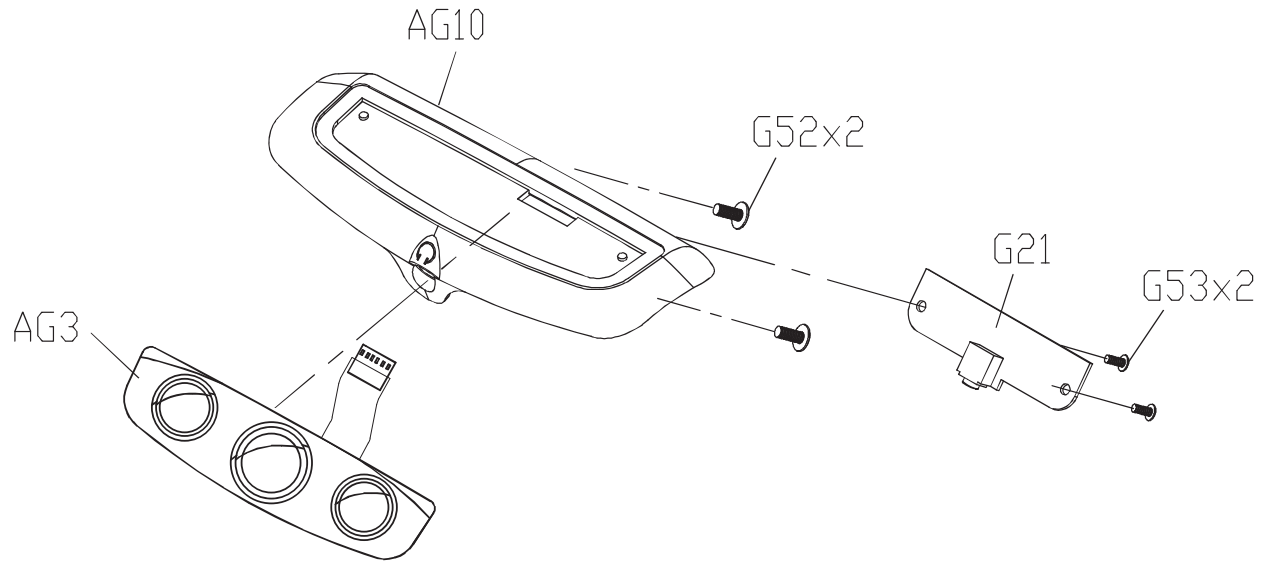
DRAWING NO	TM528-AW10		
PART NAME	Overlay Cover Set;;front		
PART NO	1000356691 ^R _B		
APPROVE	Hsinyme	DATE	051316



DRAWING NO	TM528B-AW1		
PART NAME	Control Board Set		
PART NO	1000382051 <small>REV J</small>		
APPROVE	SHUYI	DATE	091018



DRAWING NO	TM527-AG22		
PART NAME	Quick Start Overlay Set		
PART NO	As Attachment ID		
APPROVE	Heady	DATE	060116



Part NO	Description
1000385846	ES/MS;English;T-7xe-05-C
1000385847	MS;German;T-7xe-05-C
1000385848	MS;Spanish;T-7xe-05-C
1000385849	MS;Italian;T-7xe-05-C
1000385850	MS;French;T-7xe-05-C
1000385851	MS;Dutch;T-7xe-05-C
1000385852	MS;Polish;T-7xe-05-C
1000385853	MS;Portuguese;T-7xe-05-C
1000385854	MS;Japan;T-7xe-05-C

DRAWING NO	TM527K-AW32		
PART NAME	Gymkit;TM527K		
PART NO	1000421640 REC		
APPROVE	Allen	DATE	062018

