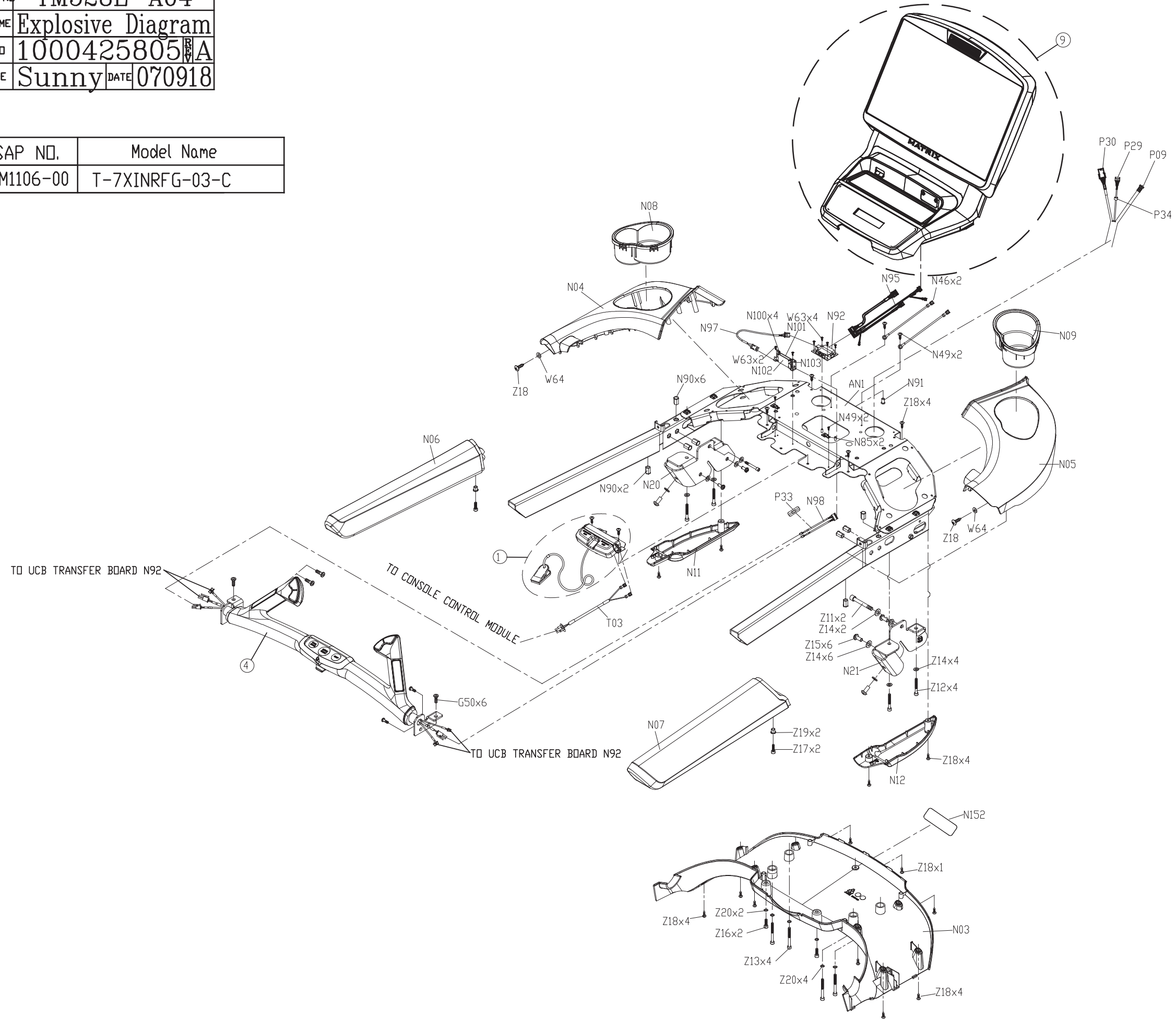
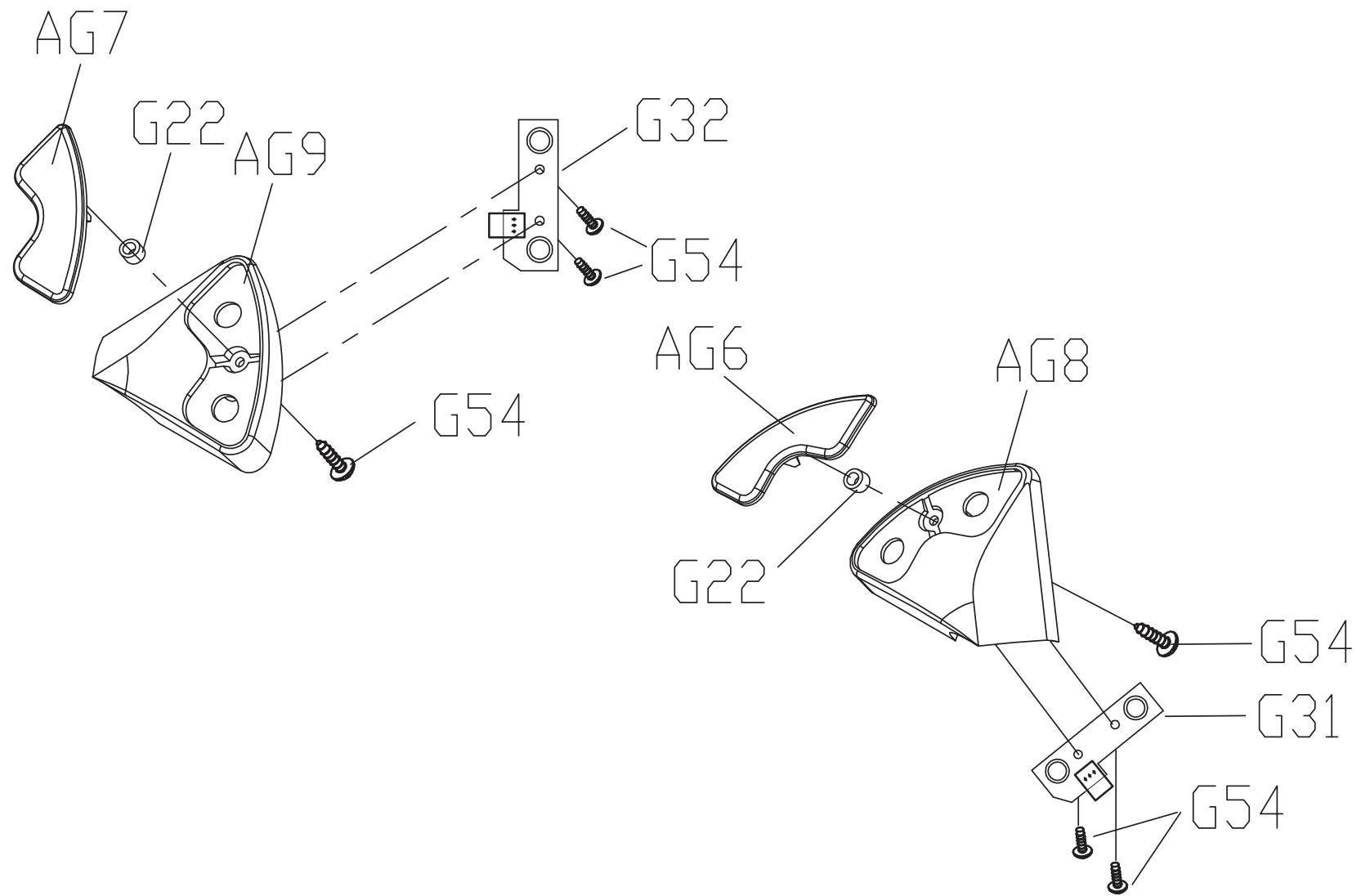


DRAWING NO	TM528E-A04
PART NAME	Explosive Diagram
PART NO	1000425805A
APPROVE	Sunny DATE 070918

SAP NO.	Model Name
MTM1106-00	T-7XINRFG-03-C



DRAWING NO	TM502-AG12		
PART NAME	Quick Key Set		
PART NO	0000089687 ^R _{REV} B		
APPROVE	SHUYI	DATE	101211

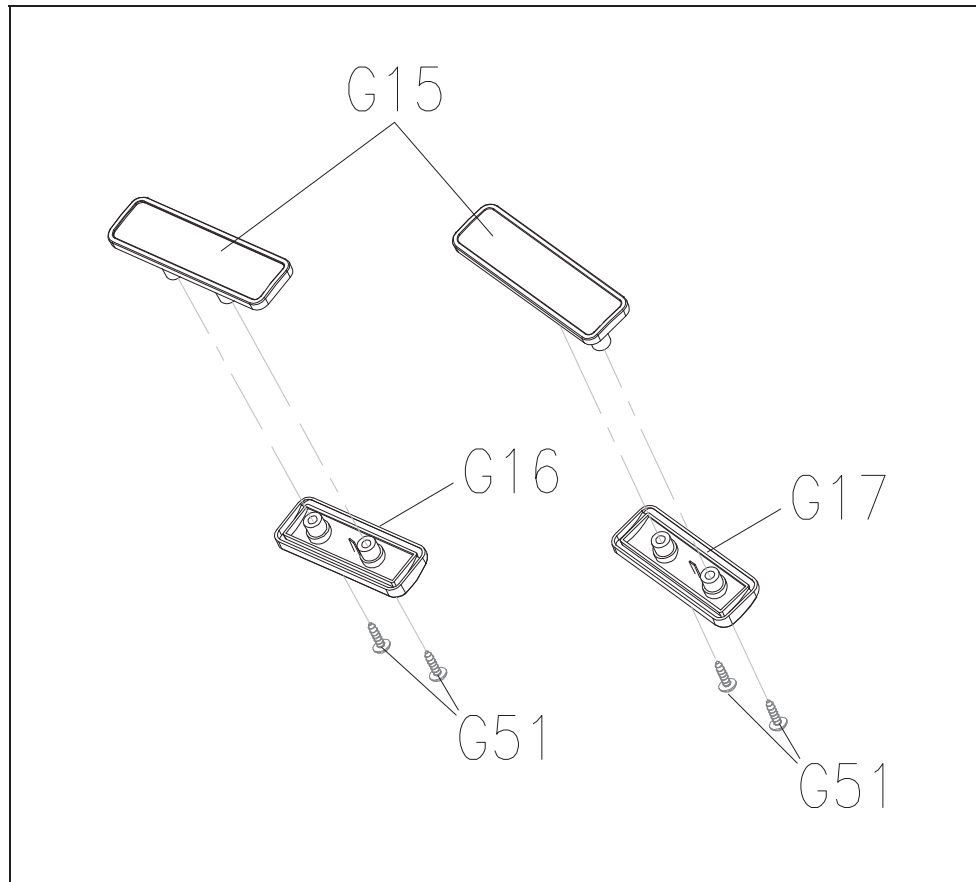




T7x-01-C

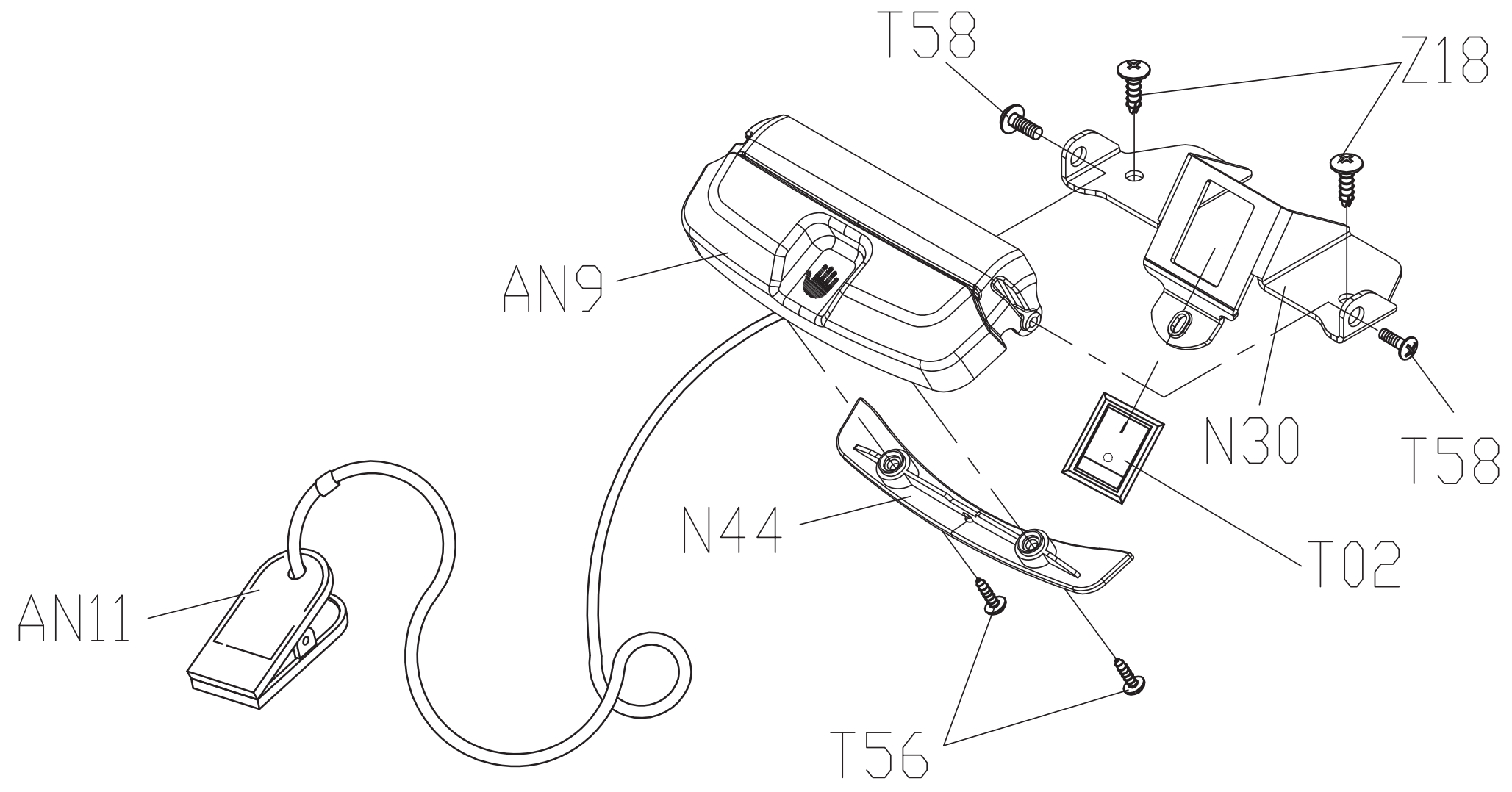
0000091816

HR GRIP COVER SET

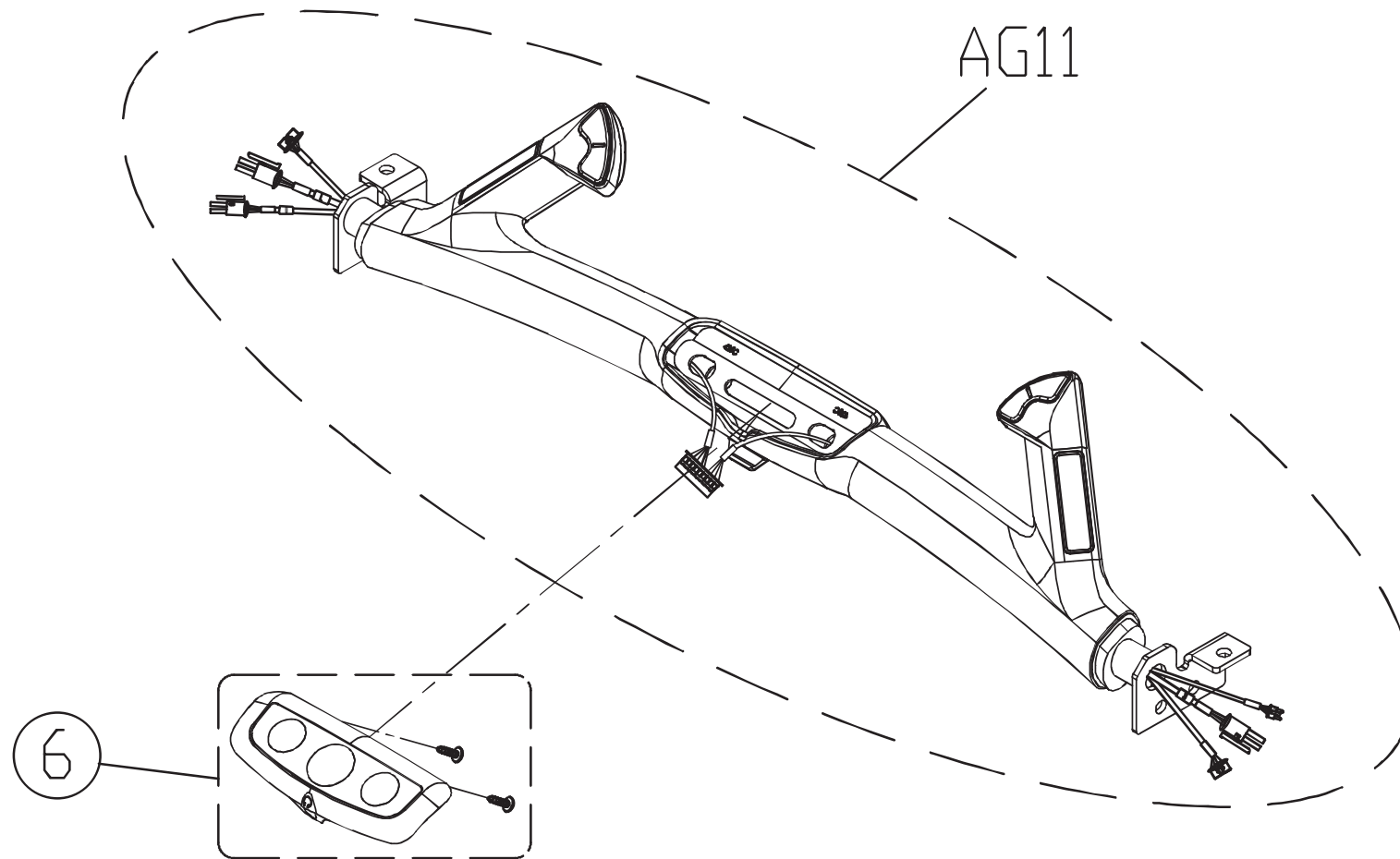


Item No.	SAP Part NO	Description	QTY
G15	0000086068	COVER ; SENSOR ; UPPER	2
G16	0000086092	COVER ; SENSOR ; LEFT ;	1
G17	0000086271	COVER ; SENSOR ; RIGHT ;	1
G51	0000087858	SCREW ; PHILLIP ; ROUND ;	4

DRAWING NO	TM501-AT6		
PART NAME	SAFETY KEY SET		
PART NO	1000233602 ^R _B		
APPROVE	S.T.C	DATE	083112

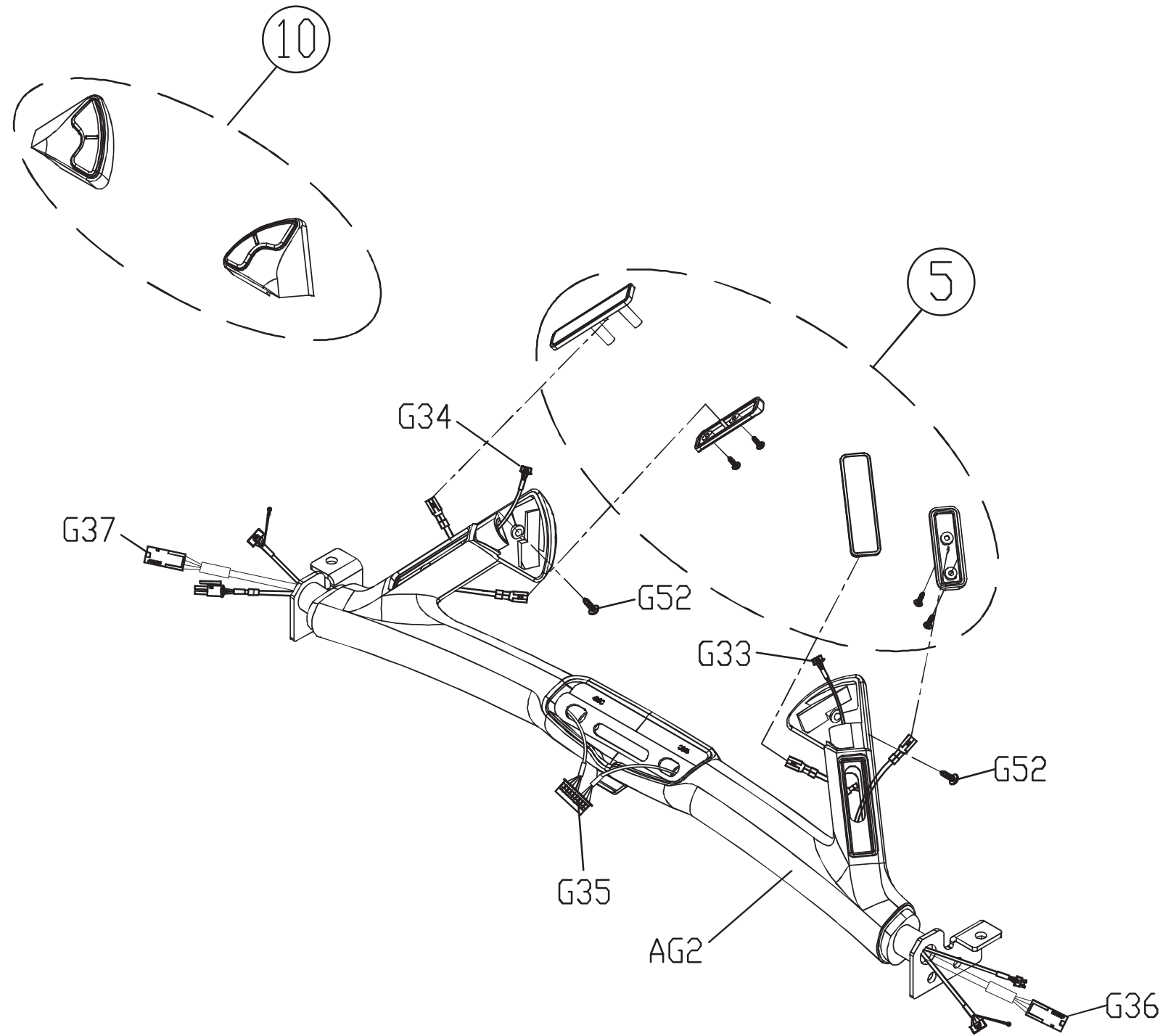


DRAWING NO	TM527-AG21		
PART NAME	Handlebar Set		
PART NO	As Attachment ^{REV} B		
APPROVE	SHUYI	DATE	052115

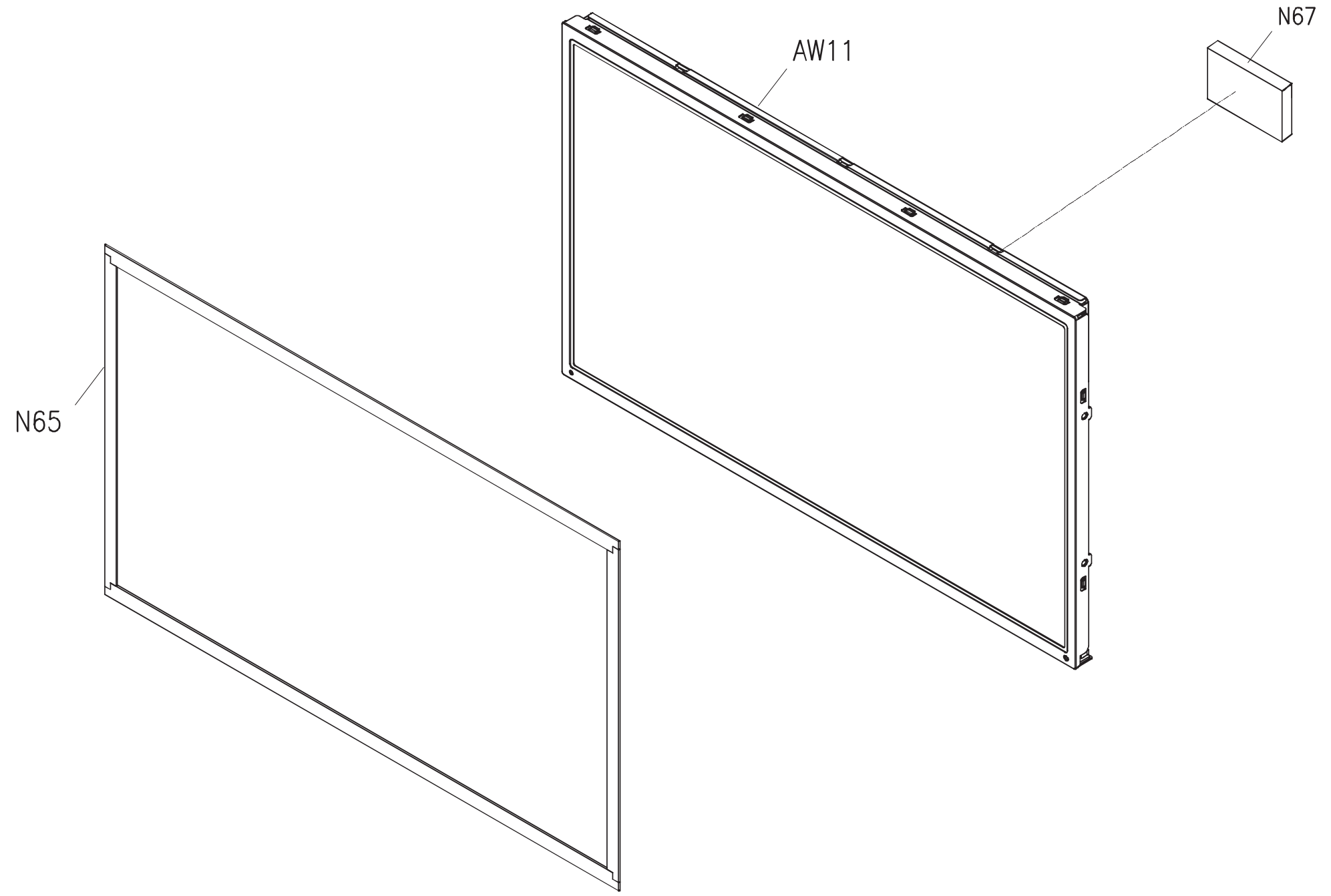


Part NO	Description
1000356217	Handlebar Set;English
1000361041	Handlebar Set;German
1000361043	Handlebar Set;Spanish
1000361045	Handlebar Set;Italian
1000361047	Handlebar Set;French
1000361050	Handlebar Set;Dutch
1000361052	Handlebar Set;Polish
1000361054	Handlebar Set;Portuguese
1000356360	Handlebar Set;Japan

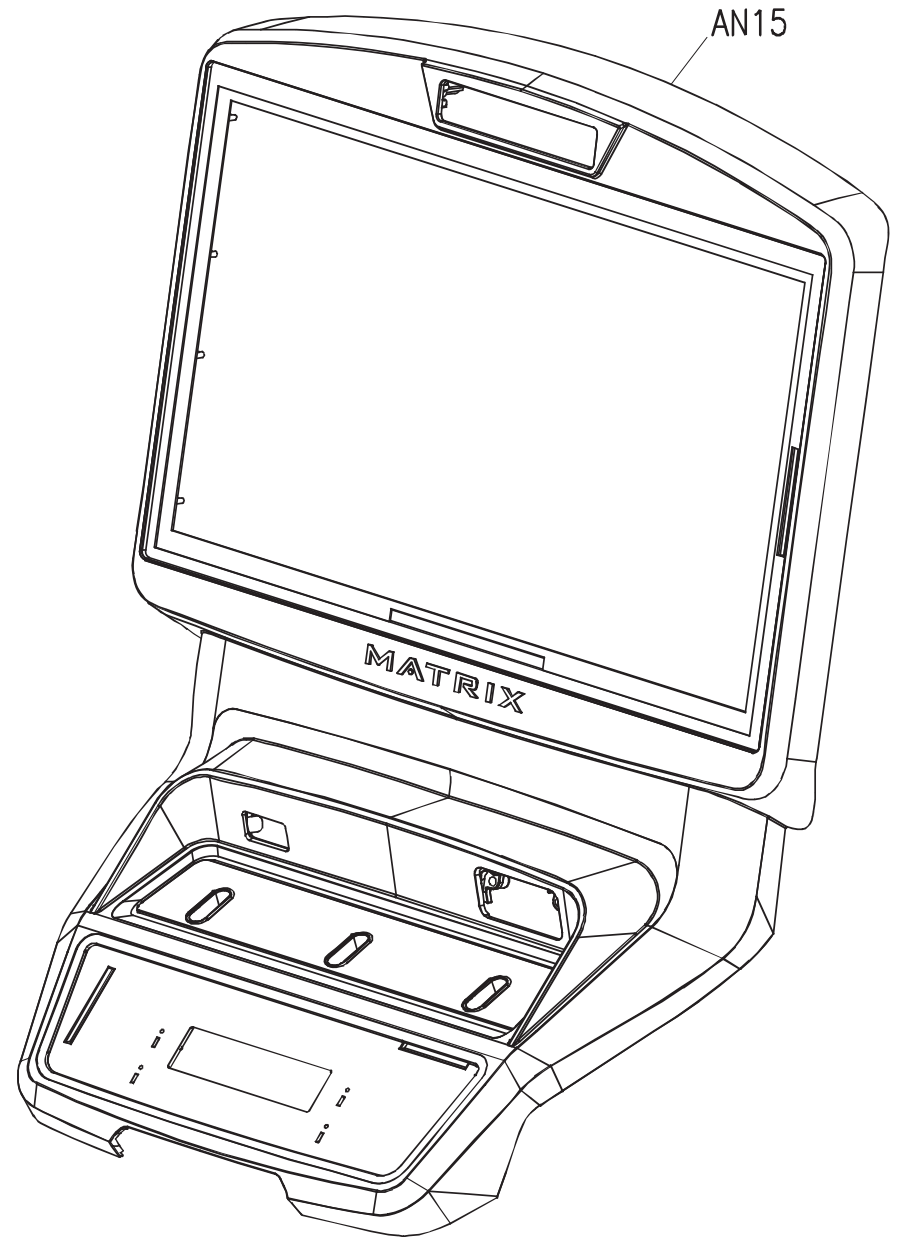
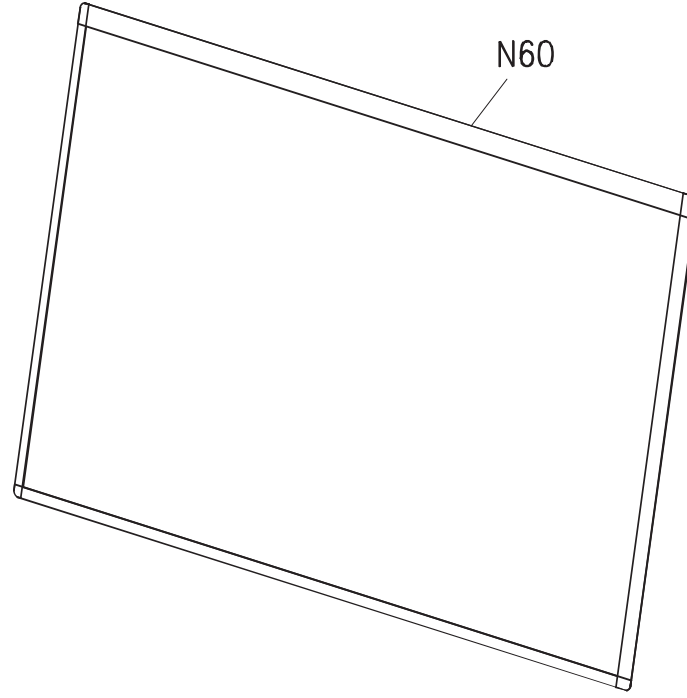
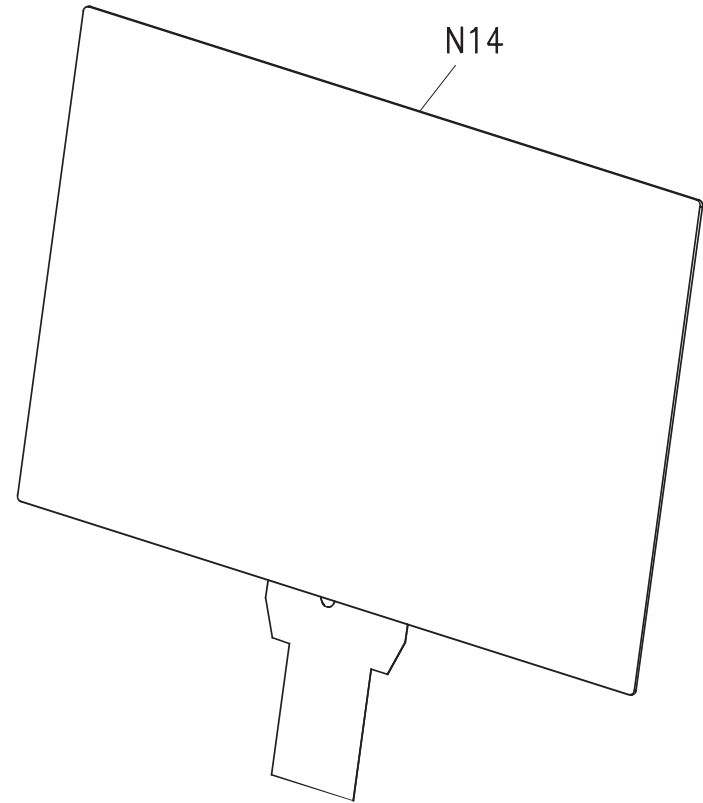
DRAWING NO	TM527-AG11		
PART NAME	Handlebar Set		
PART NO	1000356383	REV	C
APPROVE	Hsinyen	DATE	030915



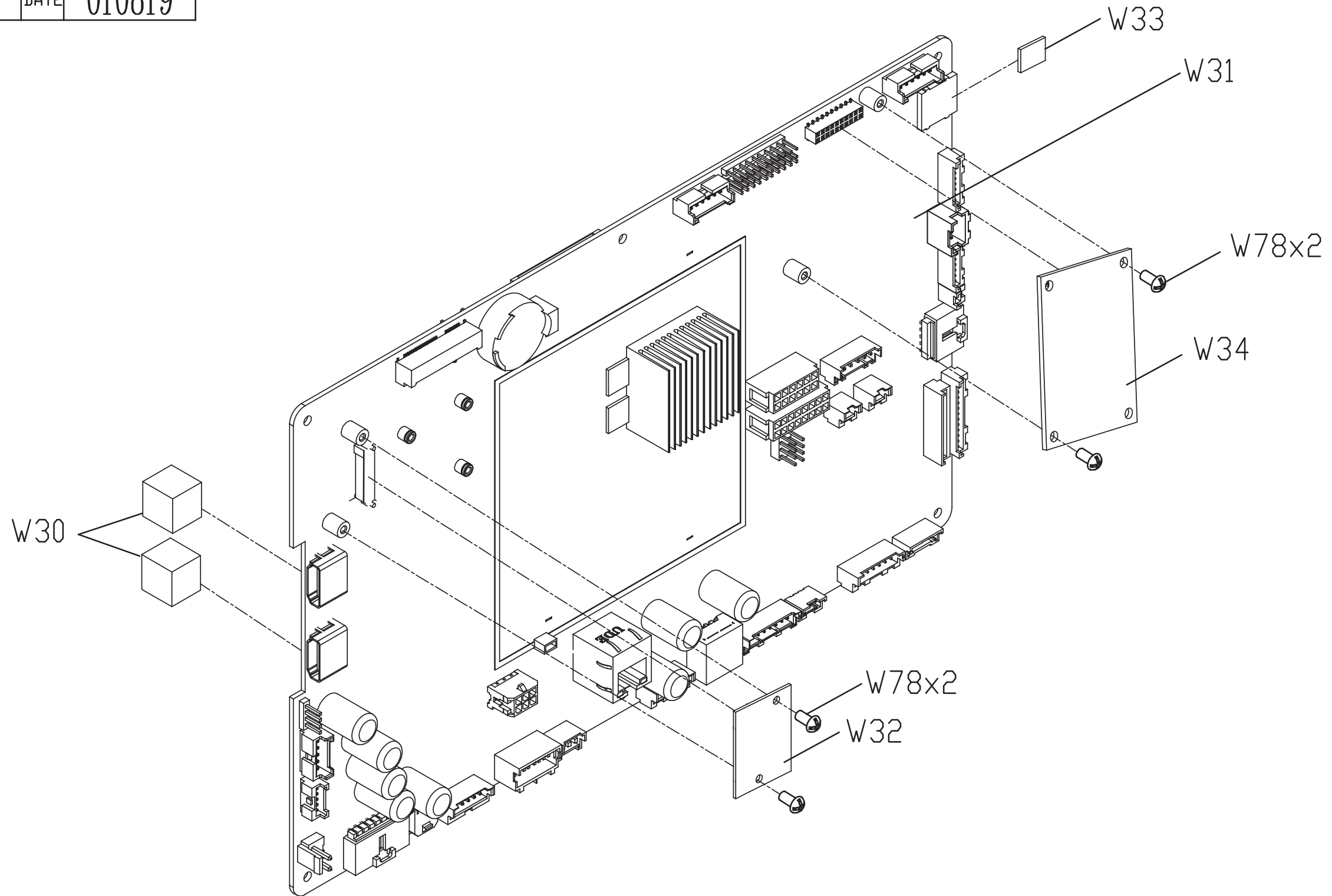
DRAWING NO	TM528-AW10		
PART NAME	Overlay Cover Set;;front		
PART NO	1000356691 REV B		
APPROVE	Hsinyme	DATE	051316



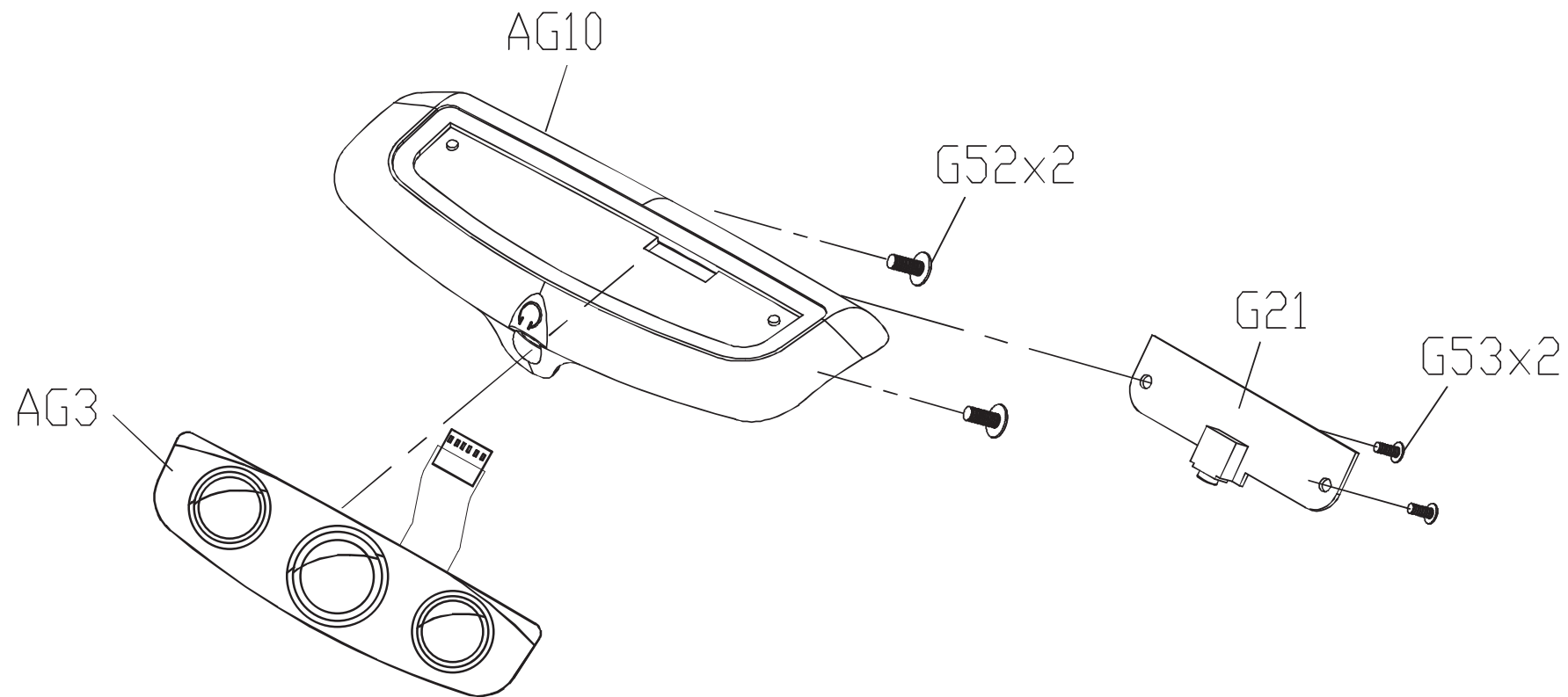
DRAWING NO	TM528-AN14		
PART NAME	Overlay Set;Touch panel		
PART NO	1000356706  A		
APPROVE	Hunter	DATE	01222015



DRAWING NO	TM528B-AW1		
PART NAME	Control Board Set		
PART NO	1000382051	REV	K
APPROVE	SHUYI	DATE	010819



DRAWING NO	TM527-AG22		
PART NAME	Quick Start Overlay Set		
PART NO	As Attachment ^R / _E / _D		
APPROVE	Heady	DATE	060116



Part NO	Description
1000385846	ES/MS;English;T-7xe-05-C
1000385847	MS;German;T-7xe-05-C
1000385848	MS;Spanish;T-7xe-05-C
1000385849	MS;Italian;T-7xe-05-C
1000385850	MS;French;T-7xe-05-C
1000385851	MS;Dutch;T-7xe-05-C
1000385852	MS;Polish;T-7xe-05-C
1000385853	MS;Portuguese;T-7xe-05-C
1000385854	MS;Japan;T-7xe-05-C

DRAWING NO	TM527K-AW32		
PART NAME	Gymkit;TM527K		
PART NO	1000421640	REV	C
APPROVE	Allen	DATE	062018

