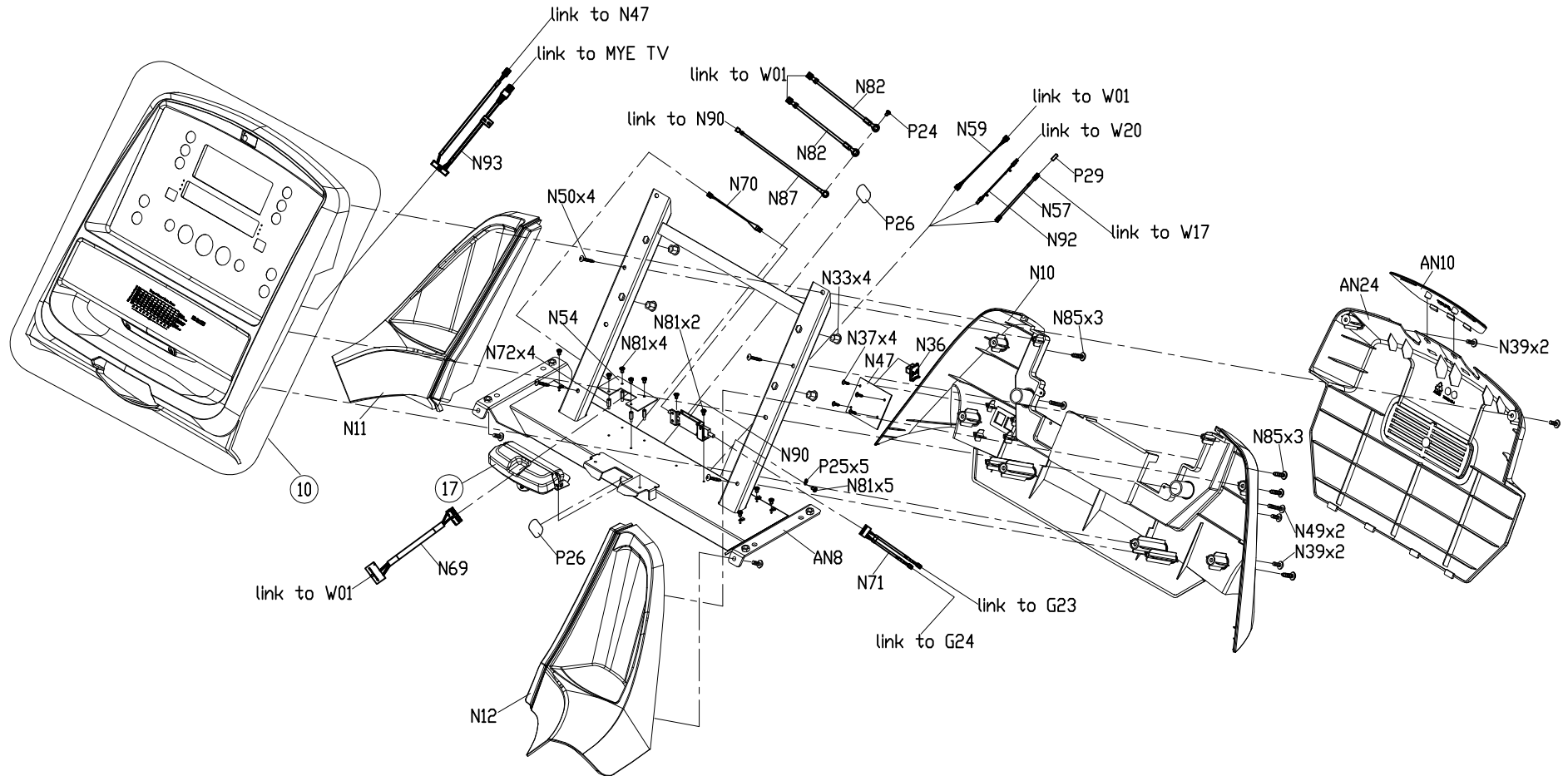
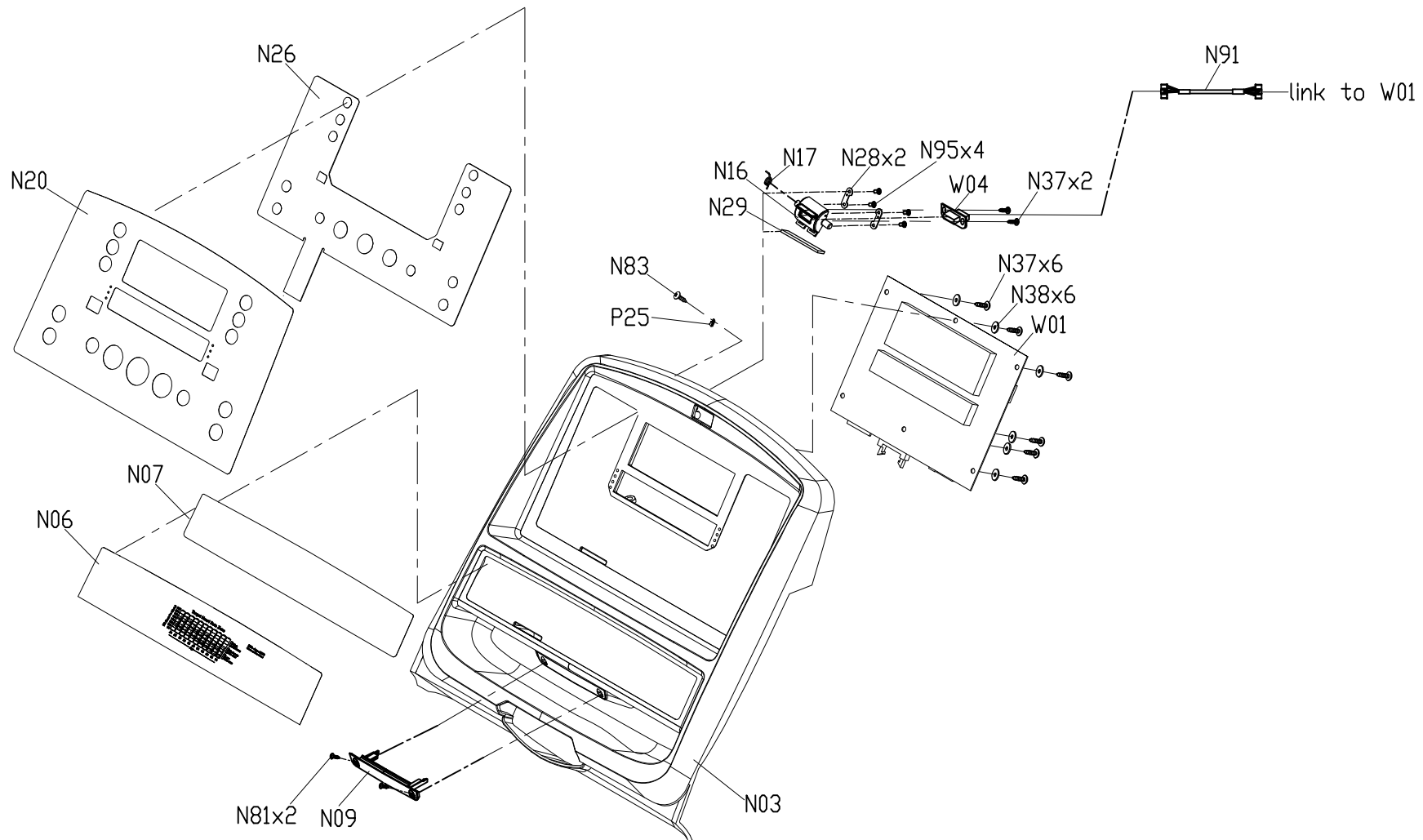


DRAWING NO	TM522-AN6	
PART NAME	Console Set	
PART NO	1000229087	
APPROVE	KYLE	DATE 081612



Part NO	Description
1000229087	Console Set;ES;ENG;T1x

DRAWING NO	TM522-AN10		
PART NAME	Console Set		
PART NO	1000233832		
APPROVE	KYLE	DATE	092812



Part NO	Description
1000233832	Console Up Set;ES;ENG;T1x

DRAWING NO	TM522-AT11
PART NAME	Switch Set; Emergency
PART NO	1000300535  B
APPROVE	KENNY
DATE	2012.07.16

