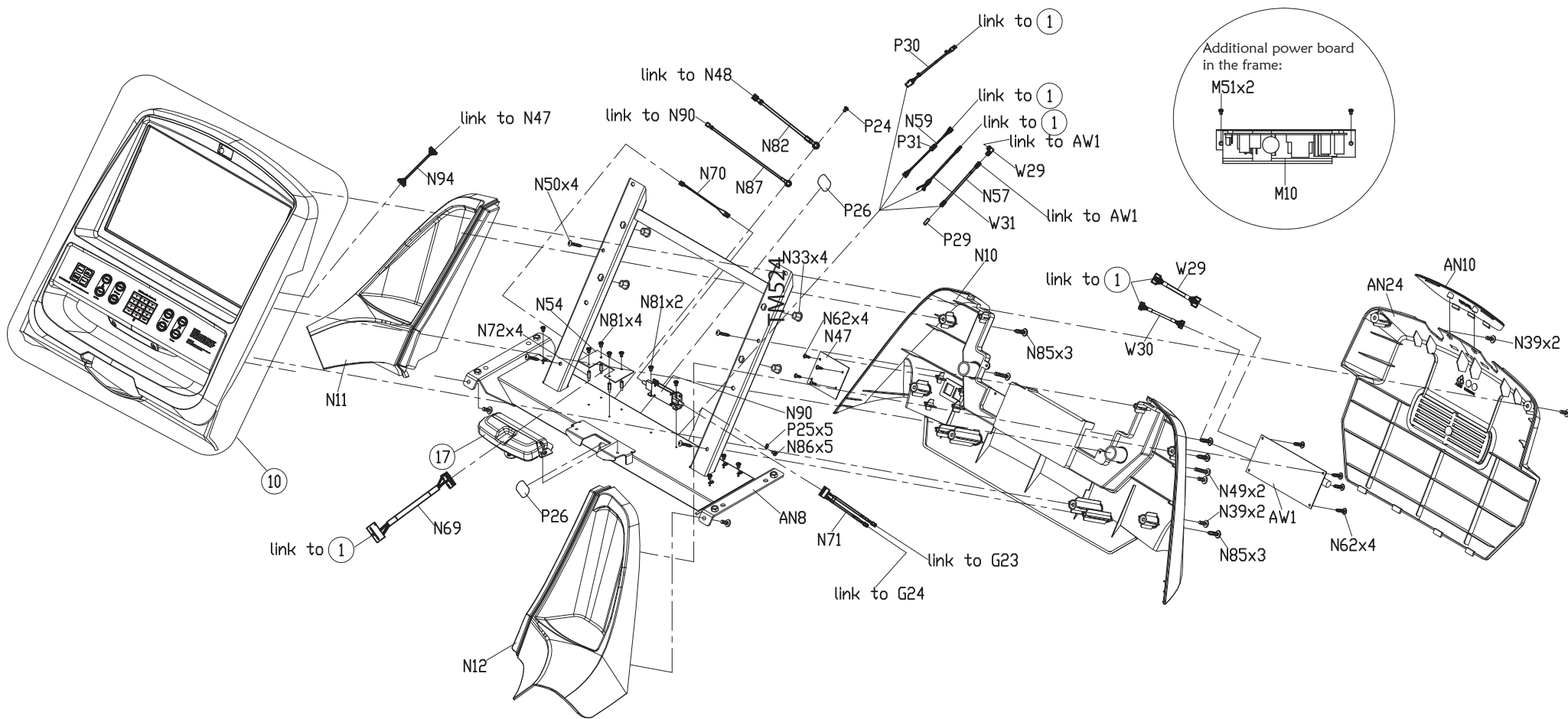
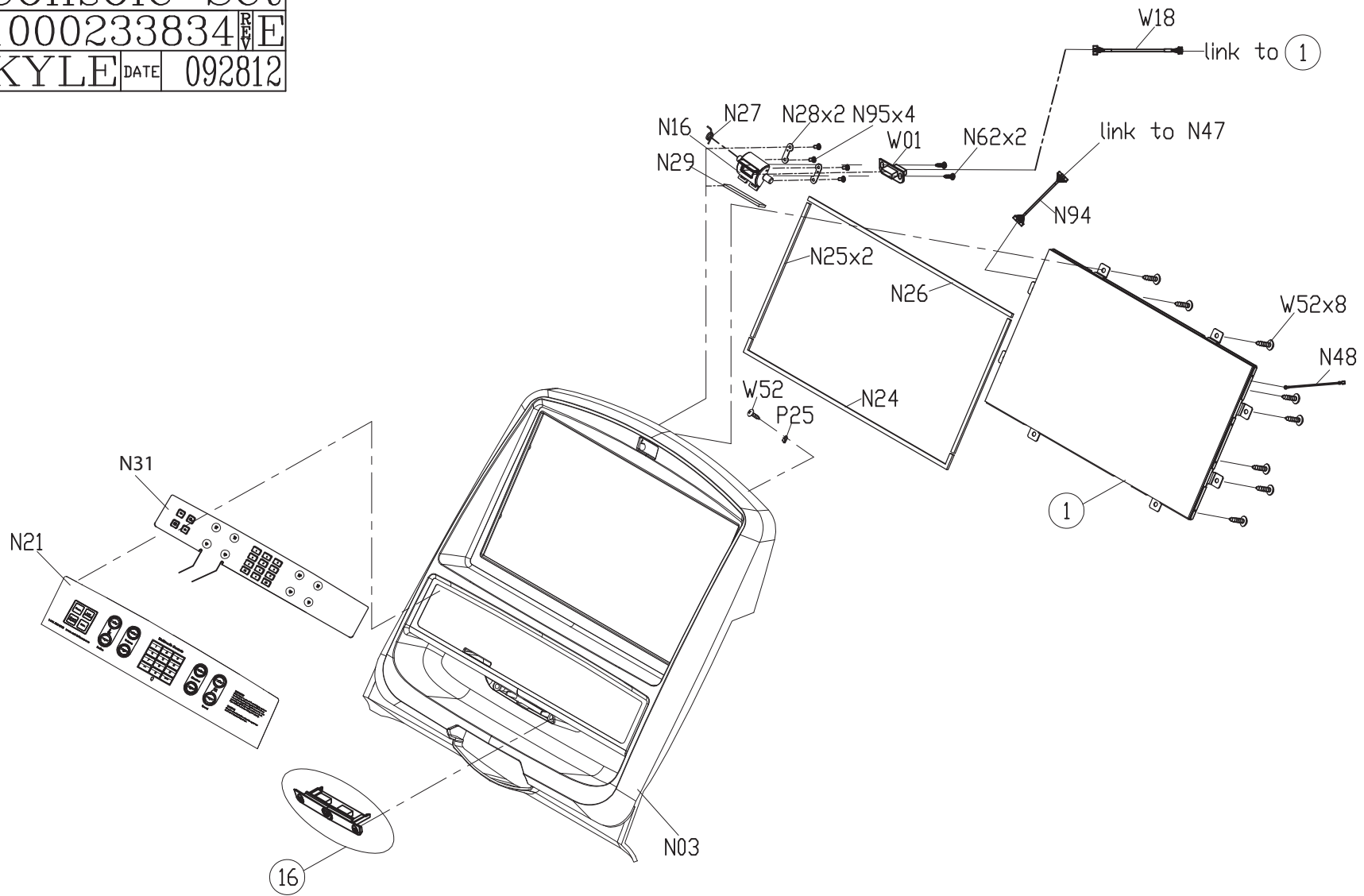


DRAWING NO	TM524-AN6		
PART NAME	Console Set		
PART NO	1000229114	REV	I
APPROVE	ALLEN	DATE	030713



Part NO	Description
1000229114	Console Set;ES;ENG;T3xe

DRAWING NO	TM524-AN10		
PART NAME	Console Set		
PART NO	1000233834		
APPROVE	KYLE	DATE	092812



Part NO	Description
1000233834	Console Set;ES;ENG;T3xe

DRAWING NO	TM524-AN8		
PART NAME	EARPHONE FIXING COVER SET		
PART NO	1000359612	REV	A
APPROVE	Long yong bo	DATE	2016.01.25

