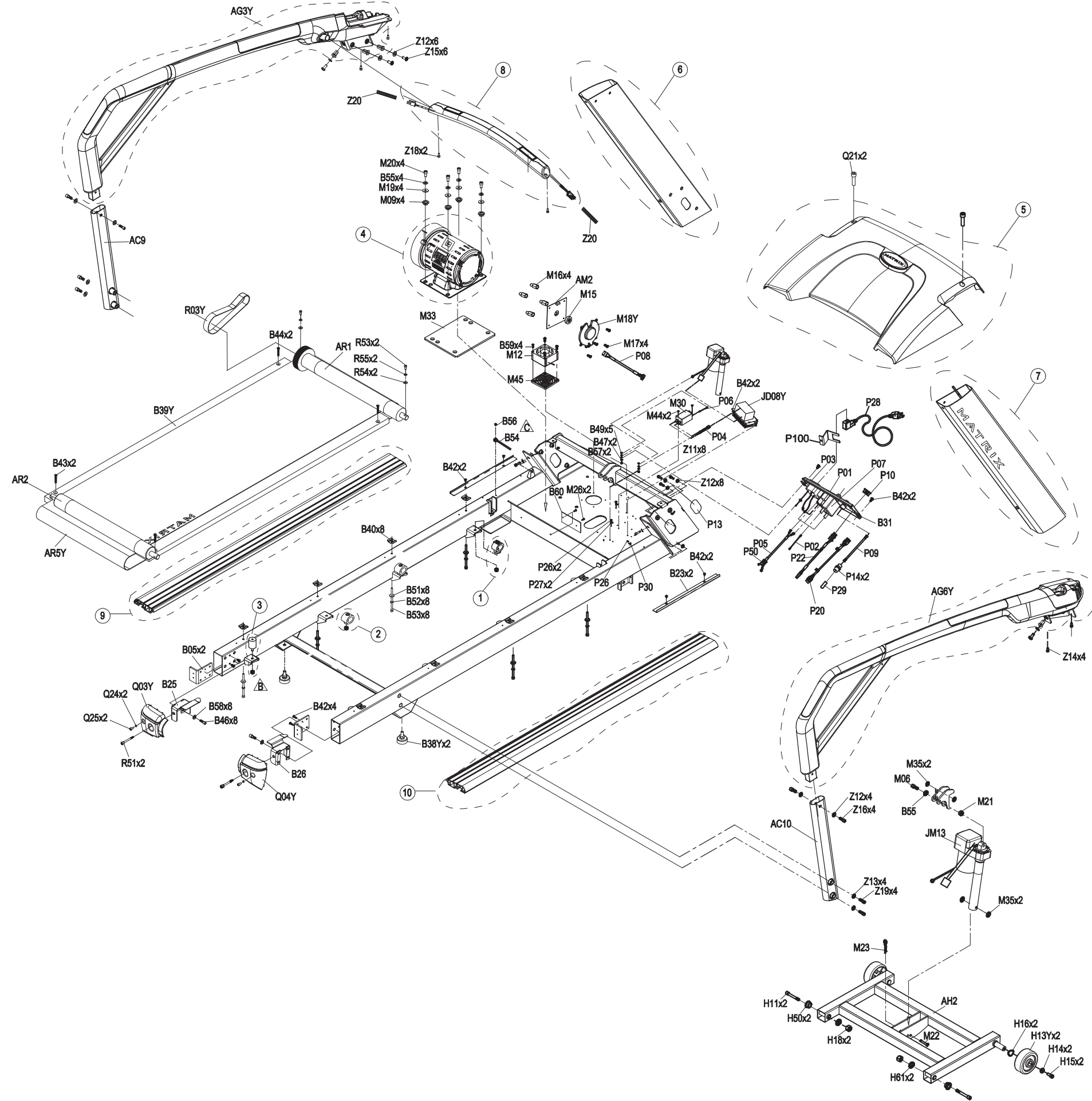
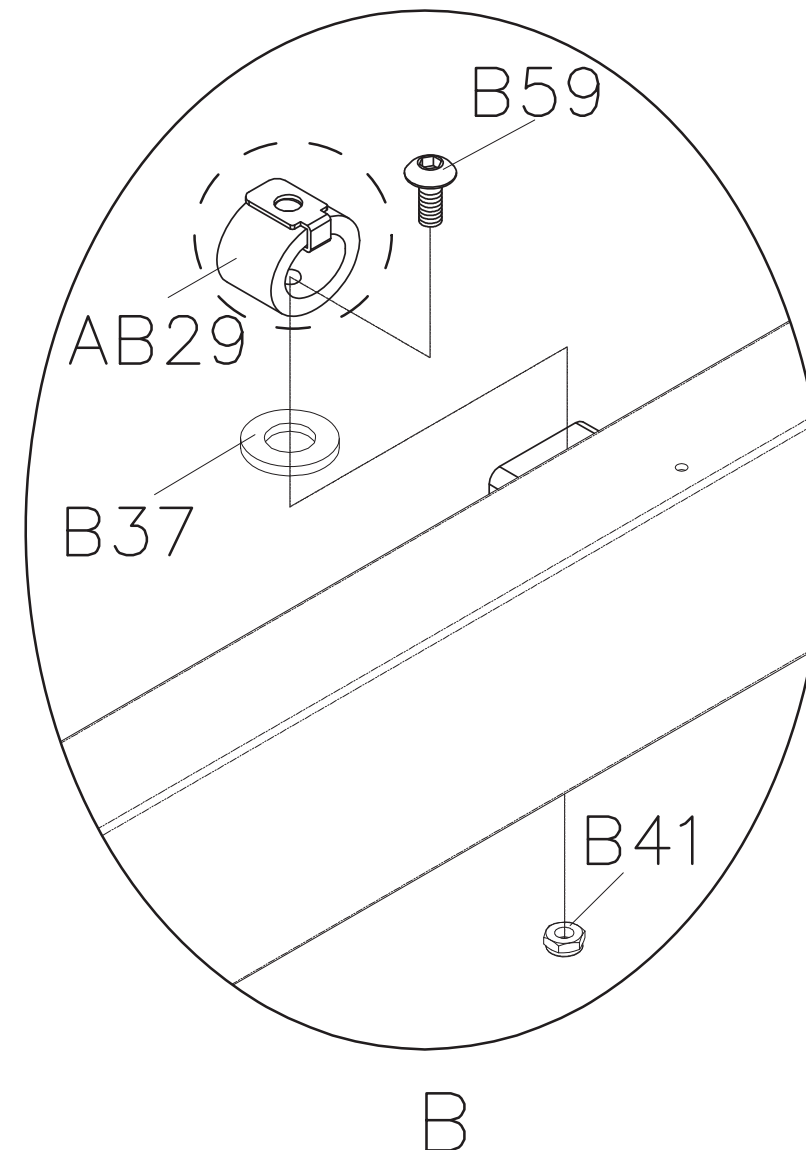
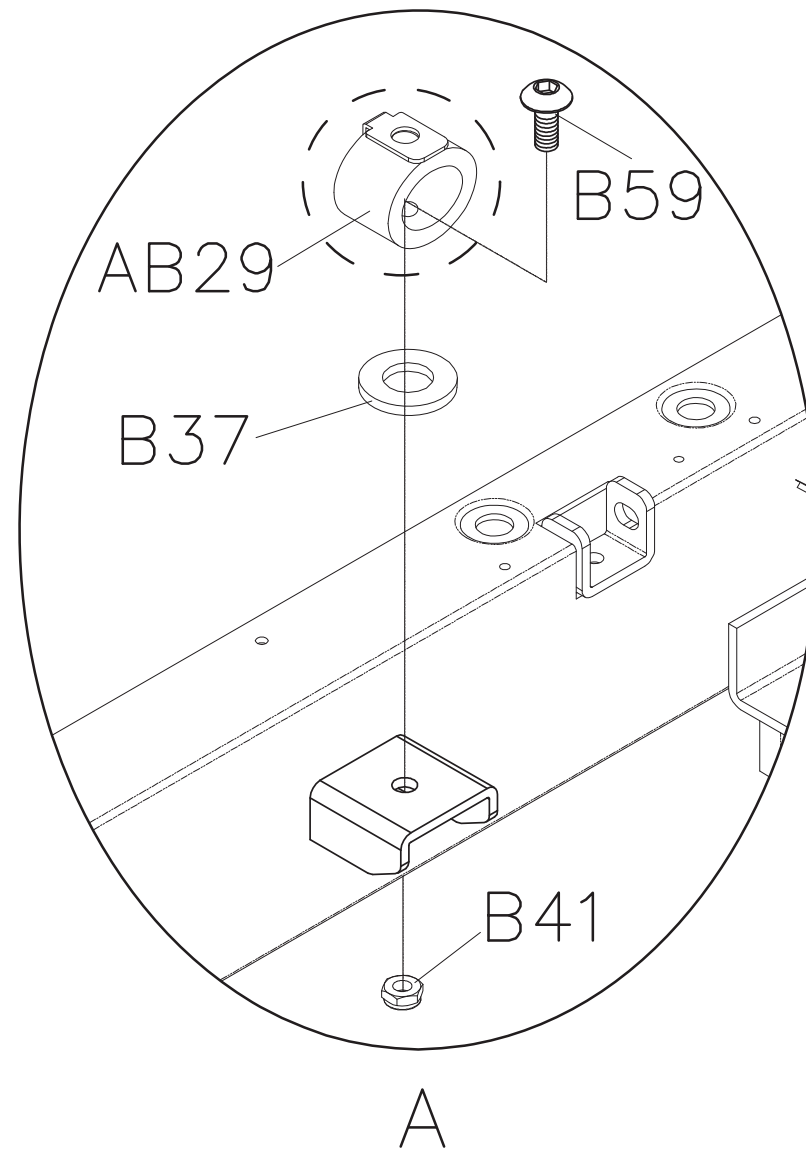
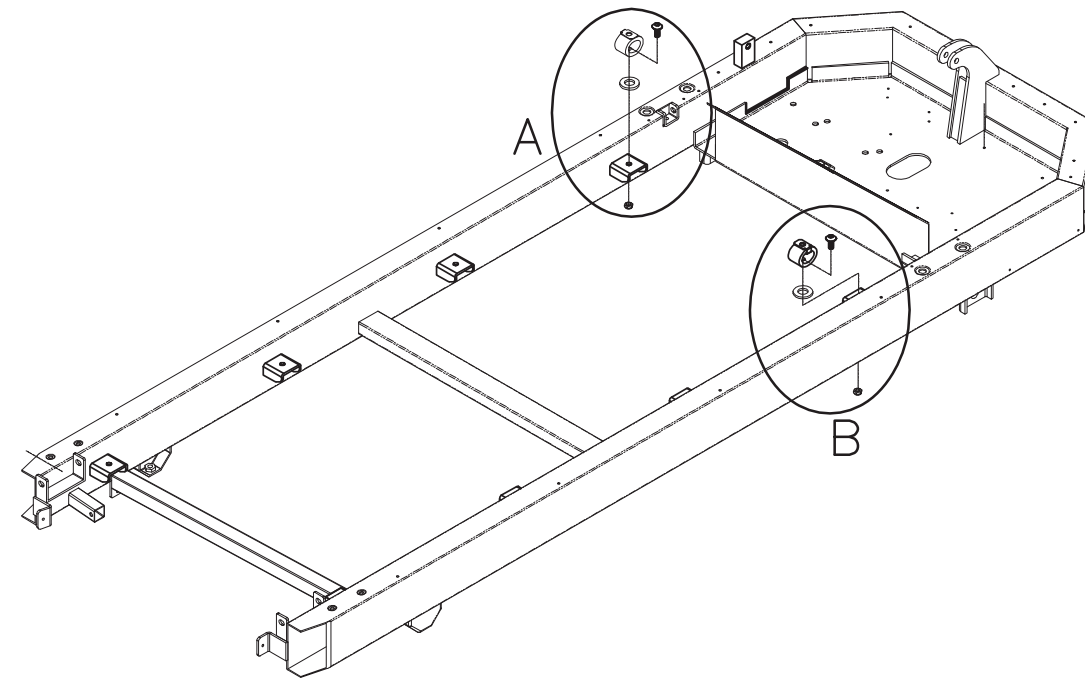


DRAWING NO	PTM526-1US-F		
PART NAME	Explosive Rendering		
PART NO	MTM0423-00	REV	C
APPROVE	Chendongming	DATE	2018.01.22

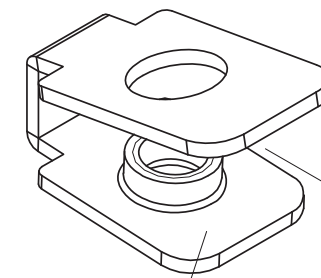
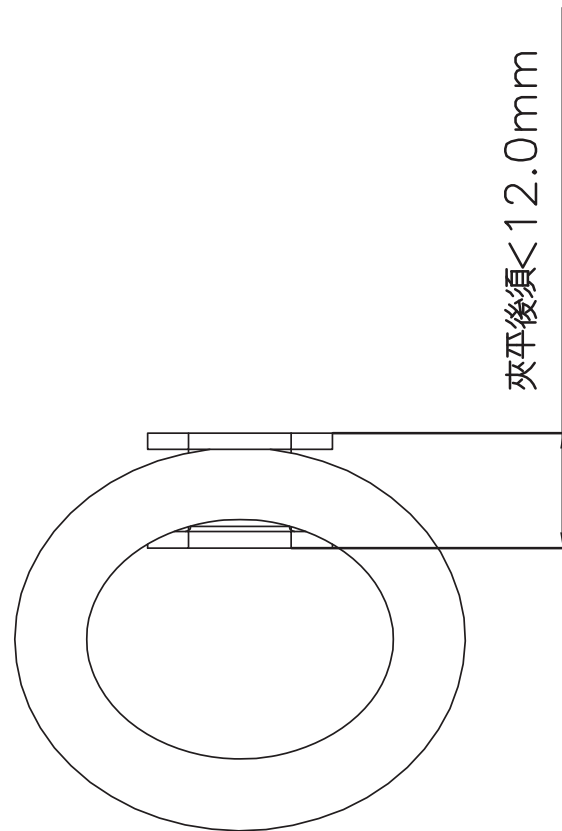
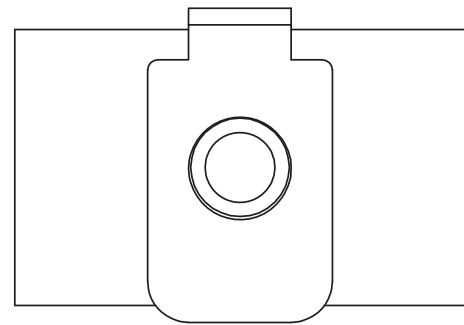
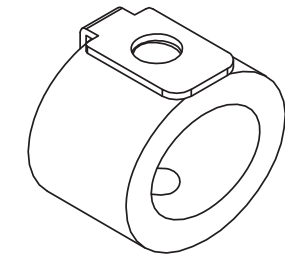


DRAWING NO	TM507-AB20		
PART NAME	Elastomer Set;Running Deck;Front		
PART NO	As Attachment ^R / _D		
APPROVE	S.T.C	DATE	092110

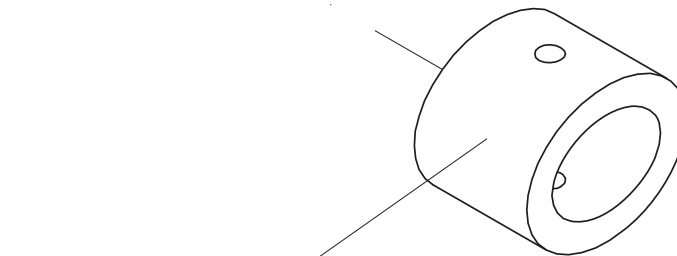
Part No.	Description
0000091091	Miner
0000095661	Nai Ri



DRAWING NO	TM501-AB29		
PART NAME	Elastomer Set; Miner		
PART NO	As Attachment ^R / _V C		
APPROVE	S.T.C	DATE	092110




B33

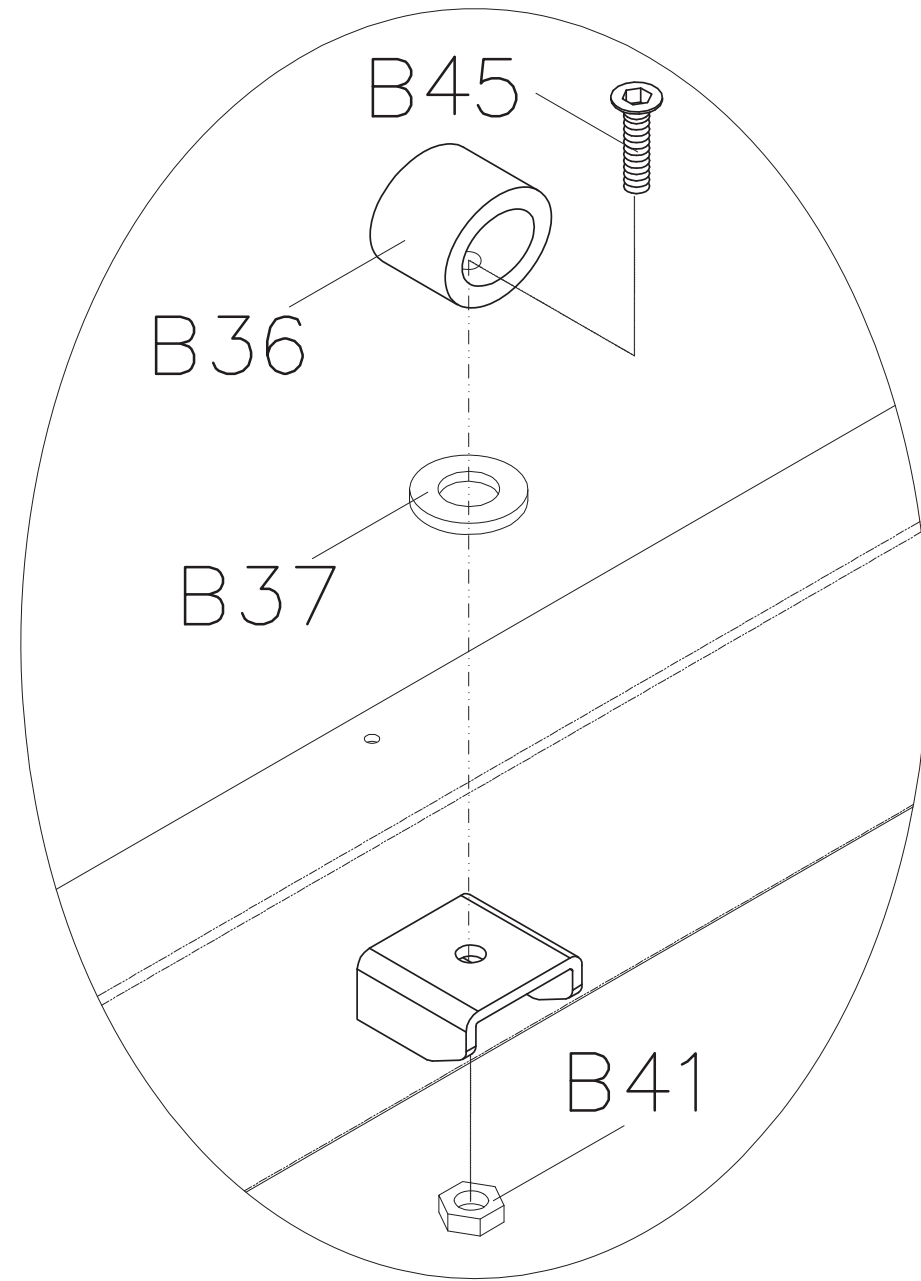
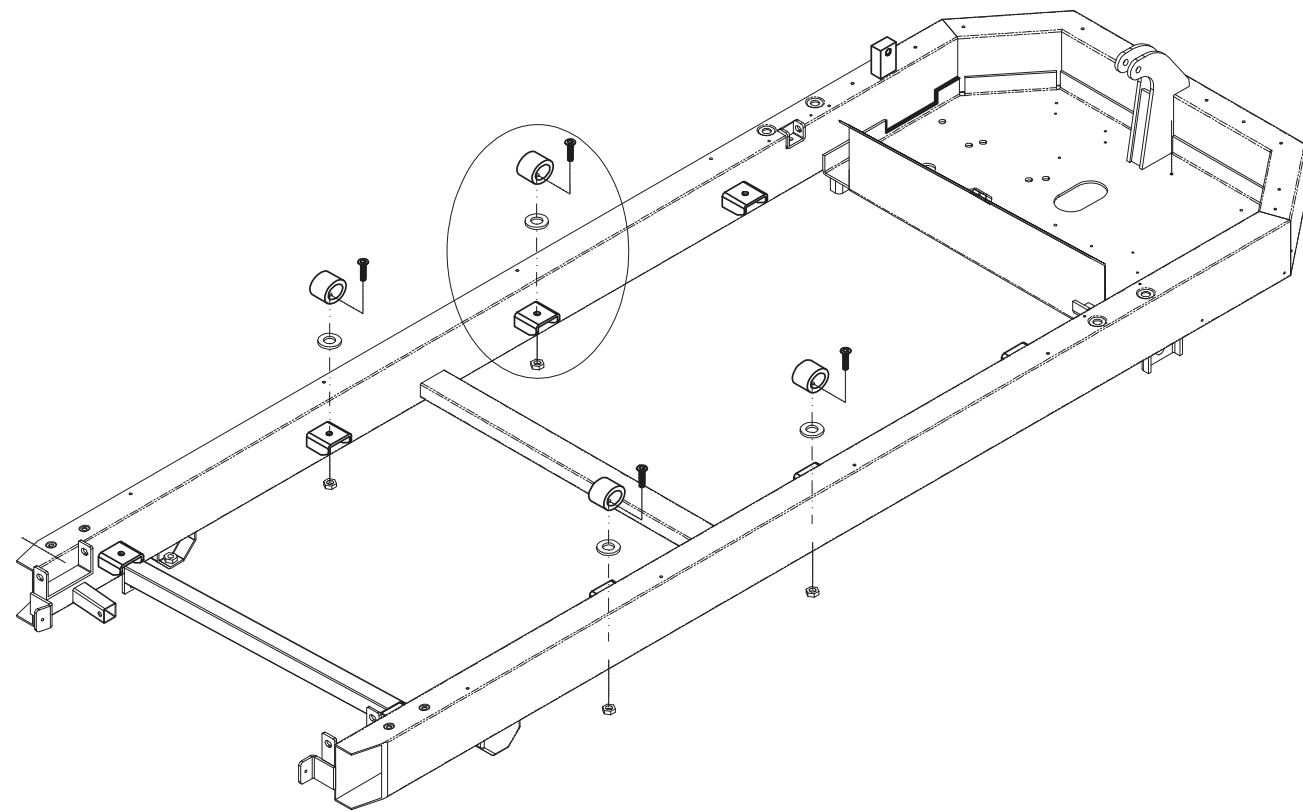



B36

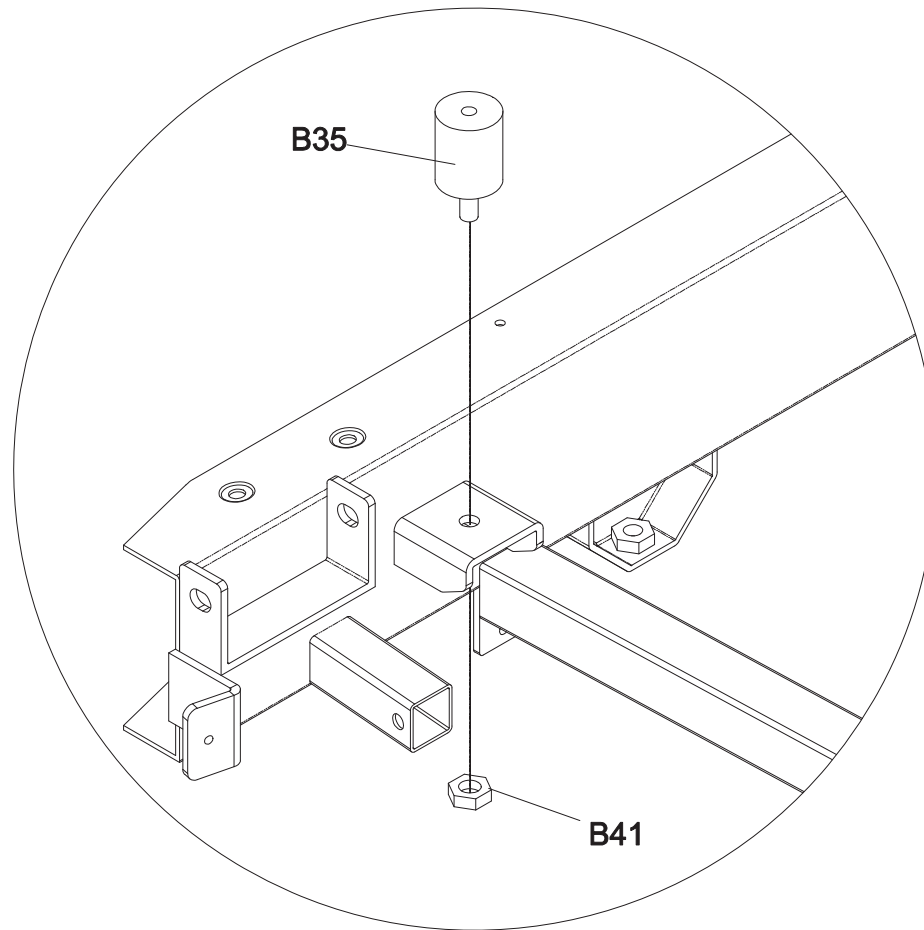
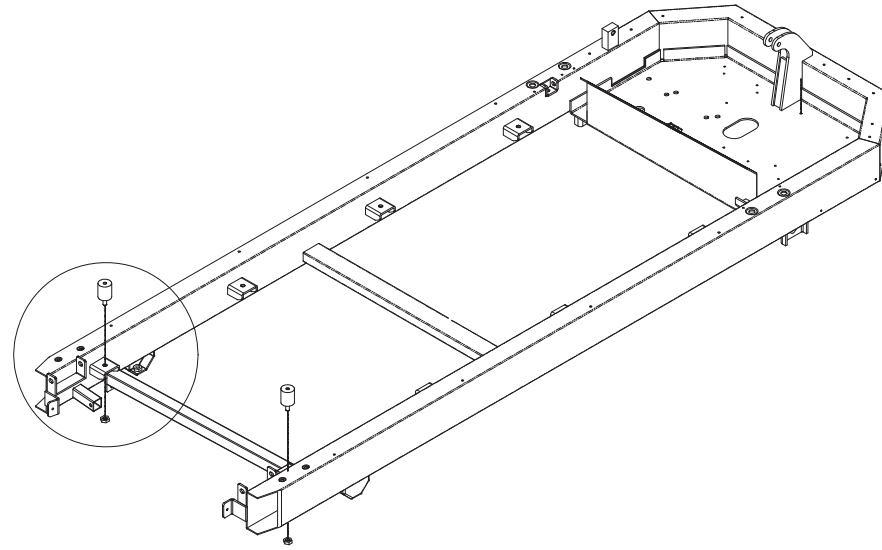
Part No.	Description
1000204015	Miner
0000095663	Nai Ri

DRAWING NO	TM507-AB21		
PART NAME	Elastomer Set;Running Deck;Middle		
PART NO	As Attachment 		
APPROVE	S.T.C	DATE	092110

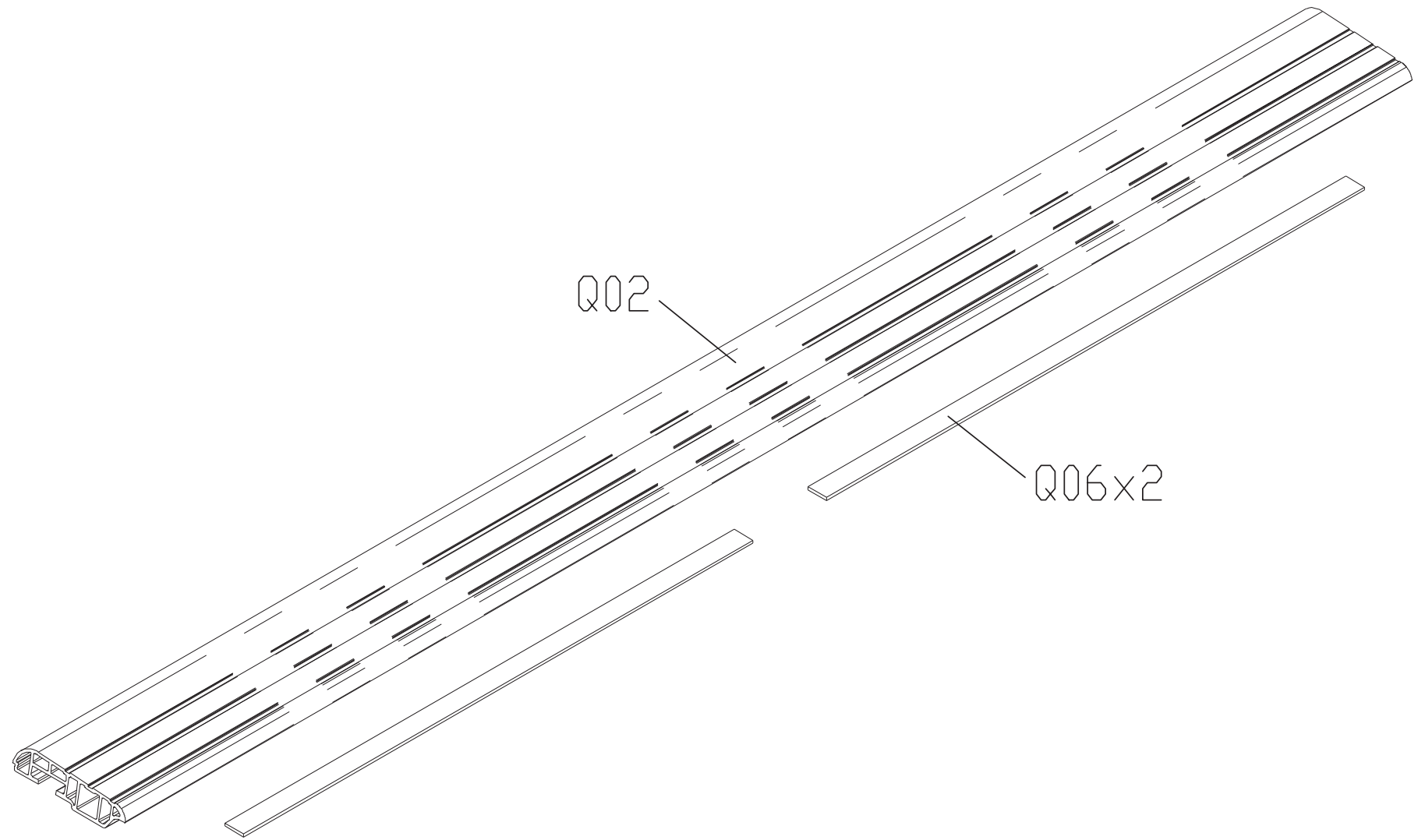
Part No.	Description
0000093039	Miner
0000095662	Nai Ri



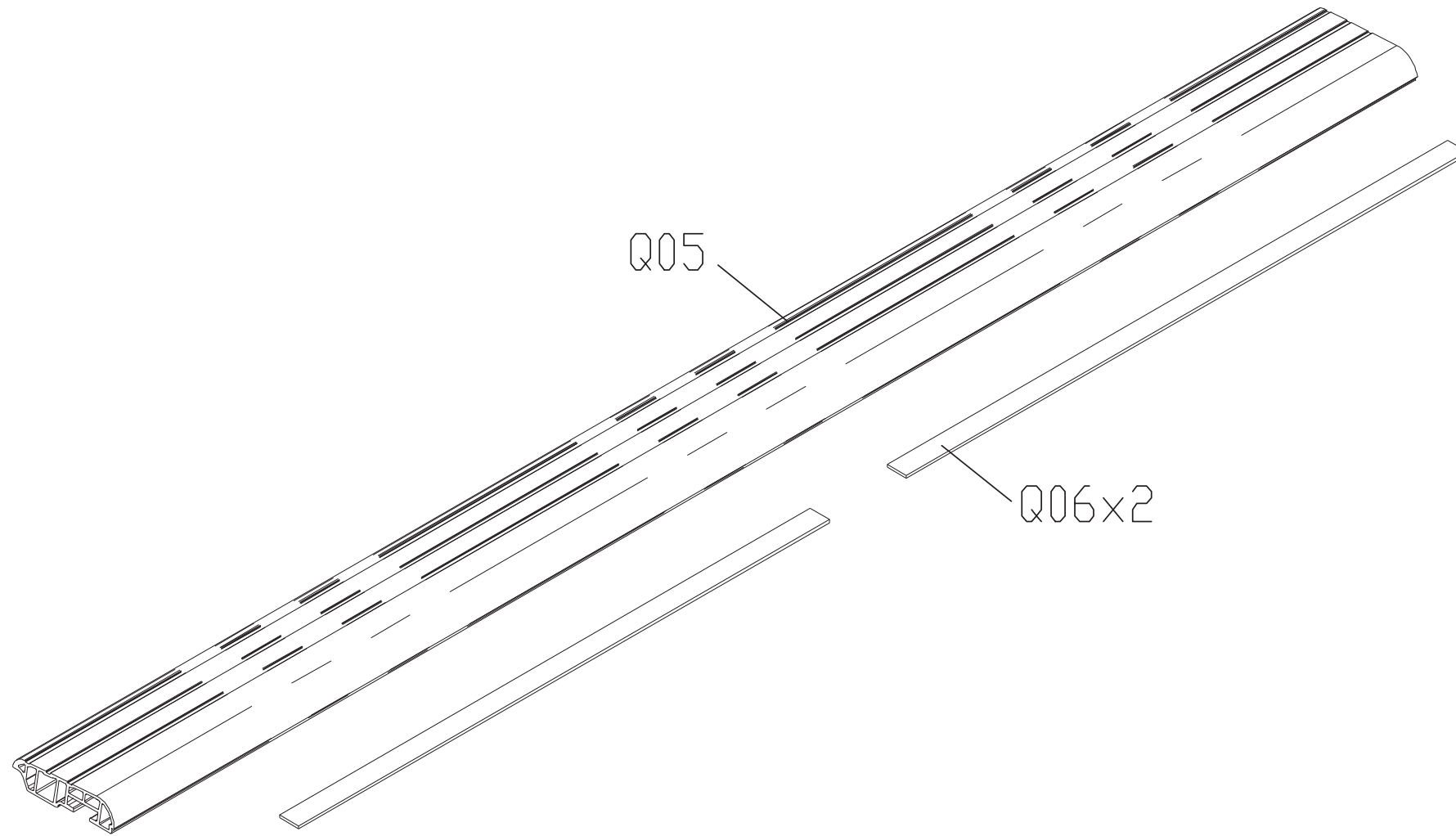
DRAWING NO	TM507-AB22
PART NAME	Elastomer Set
PART No.	0000091092
APPROVE	Longyb  A



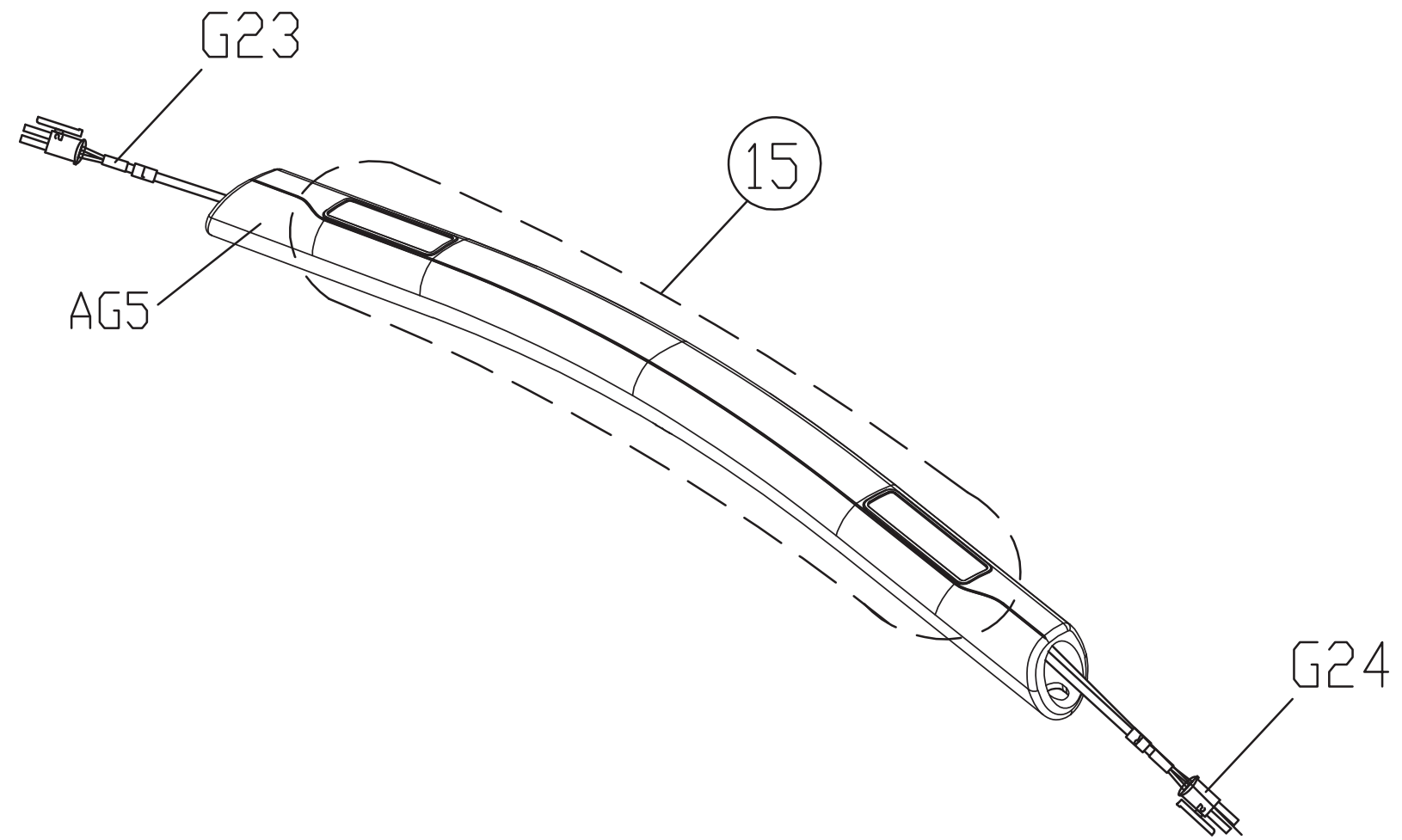
DRAWING NO	TM507-AQ3		
PART NAME	Side RIL SET;Left		
PART NO	0000093046	REV	A
APPROVE	zhouping	DATE	070215




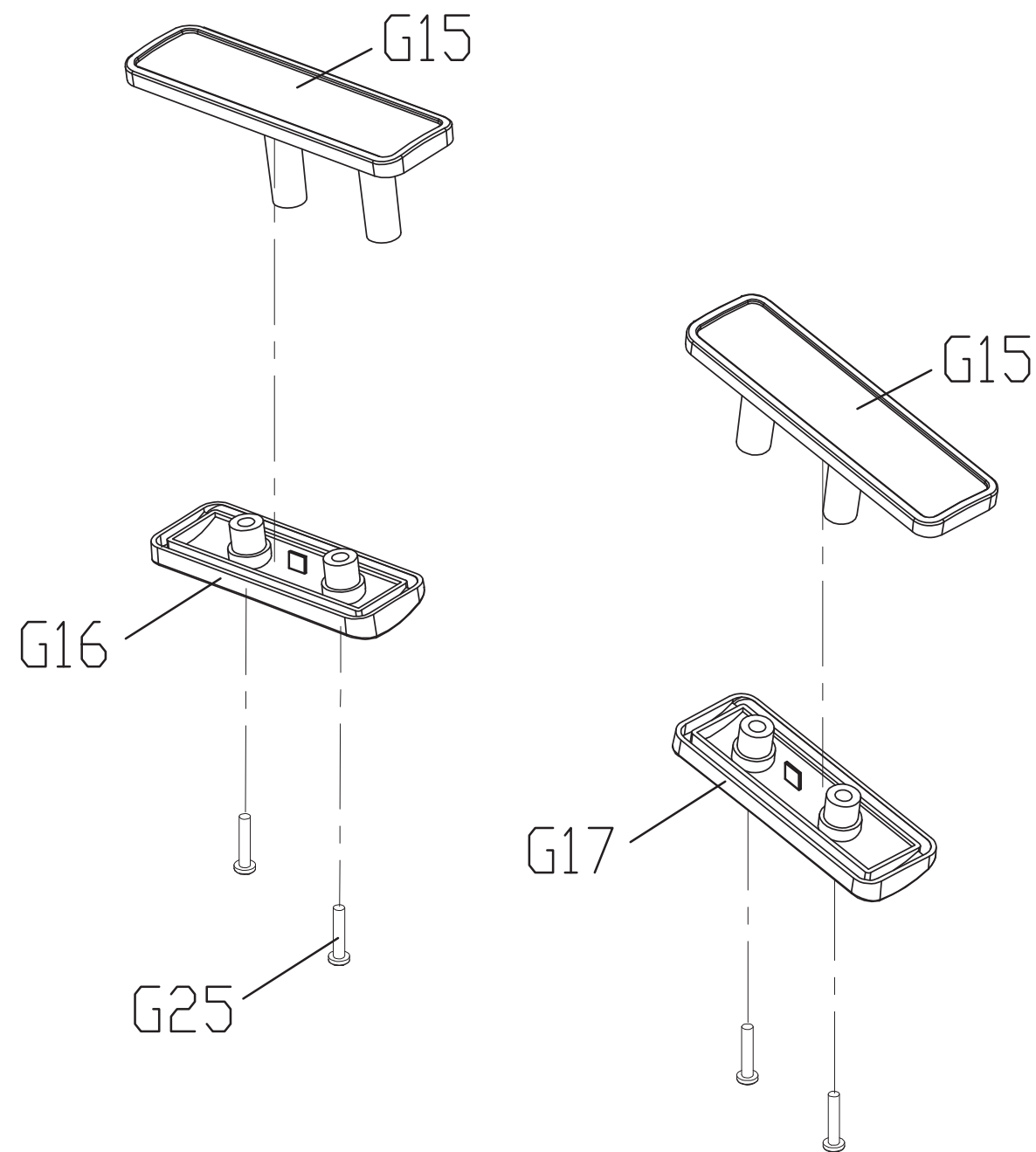
DRAWING NO	TM507-AQ4		
PART NAME	Side RIL SET;Right		
PART NO	0000093047	REV	A
APPROVE	zhouping	DATE	070215



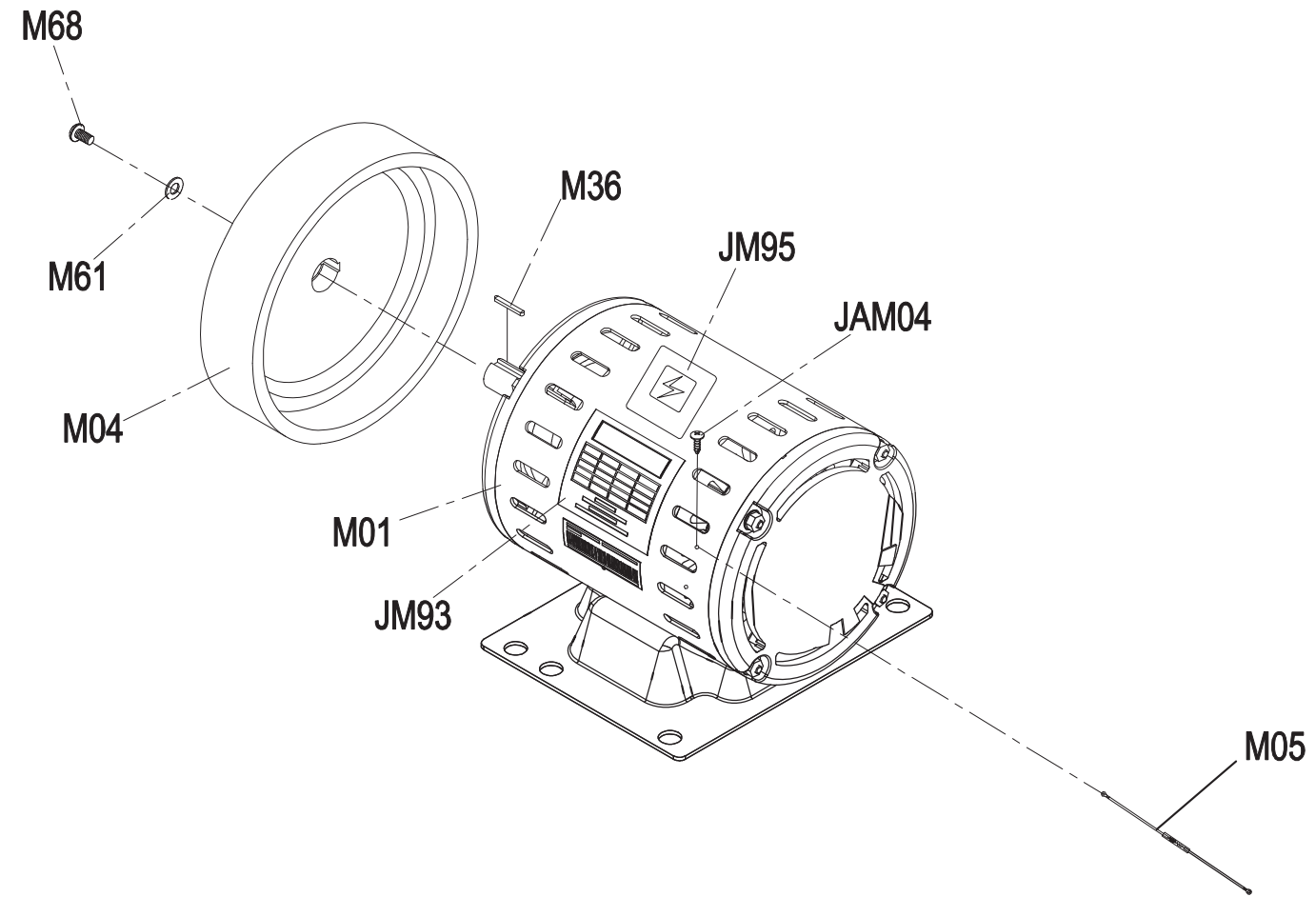
DRAWING NO	TM523-AG15		
PART NAME	Handlebar Set		
PART NO	1000231011 ^R _{REV} B		
APPROVE	SHUYI	DATE	010313




DRAWING NO 圖號	TM509-AG10
PART NAME(CH) 零件名稱(中文)	握管組;感應器
PART NAME(EN) 零件名稱(英文)	Grip Tube Set;Sensor
SAP PART NO SAP料號	0000093038  A



DRAWING NO	TM526-AM1		
PART NAME	Motor Set		
PART NO	1000343457	REV	A
APPROVE	Huanghai	DATE	2015.3.19



DRAWING NO	TM526-AQ1		
PART NAME	Motor Cover Set		
PART NO	1000344348		A
APPROVE	Long yun bo	DATE	2015.8.21

