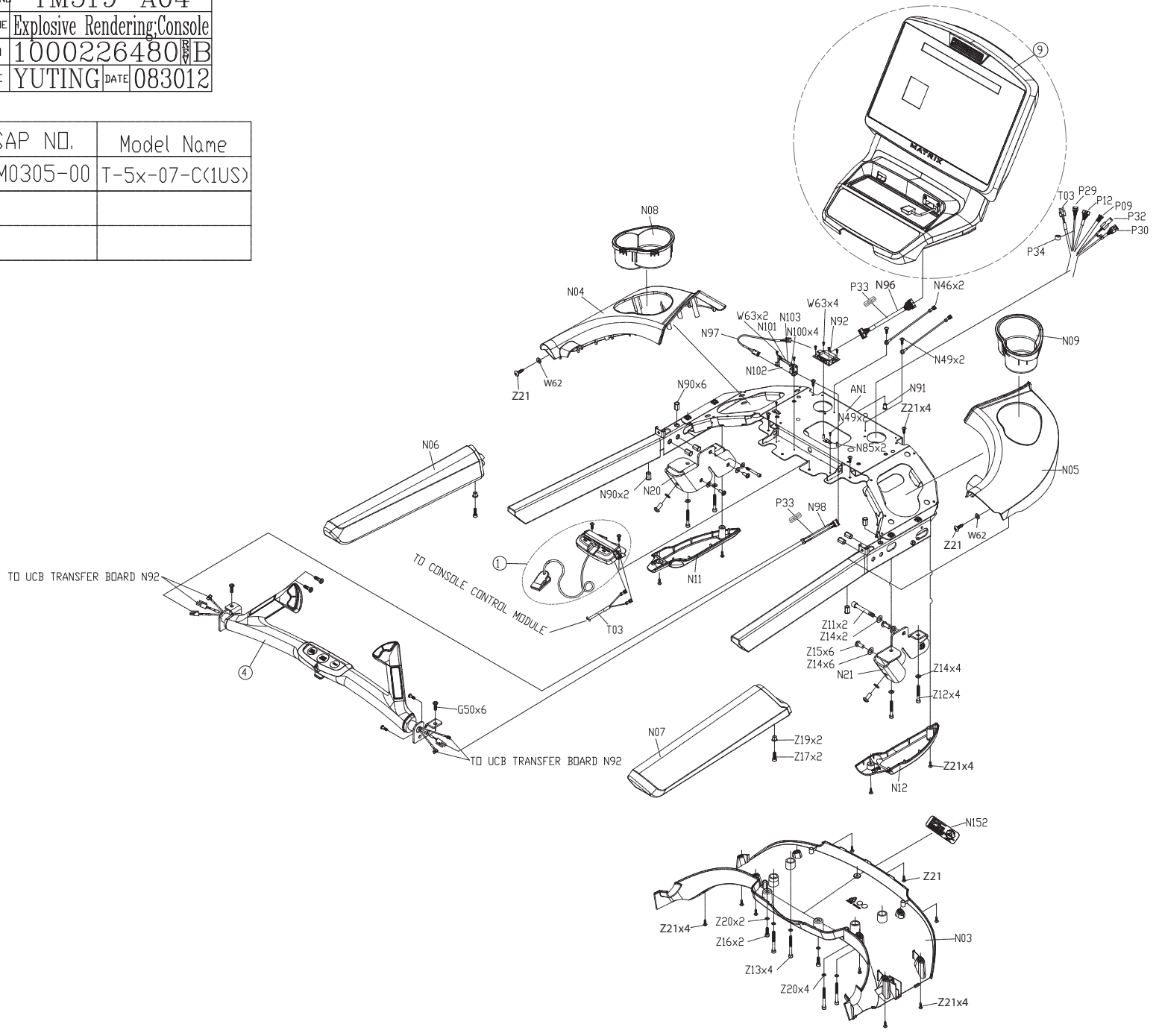
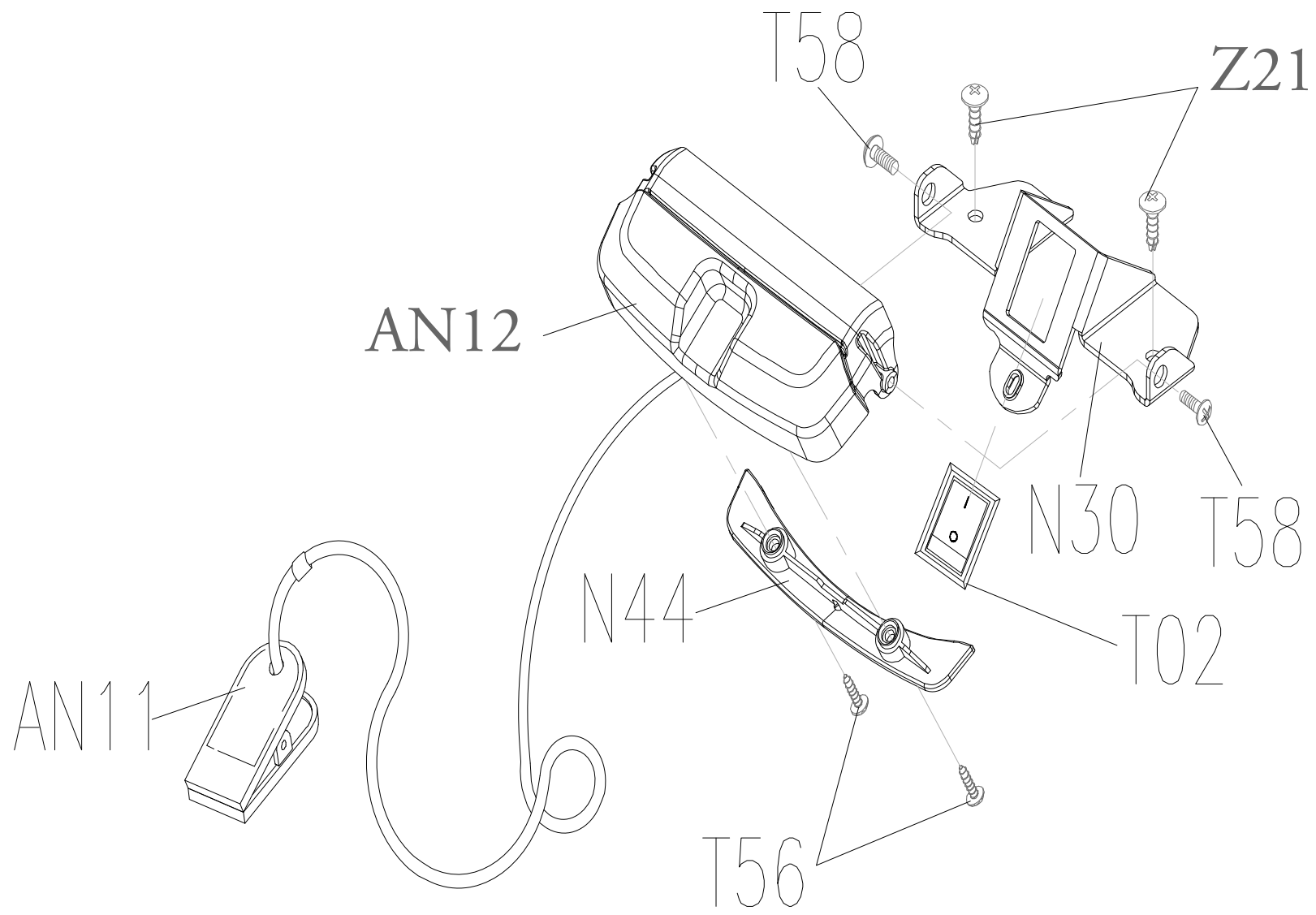


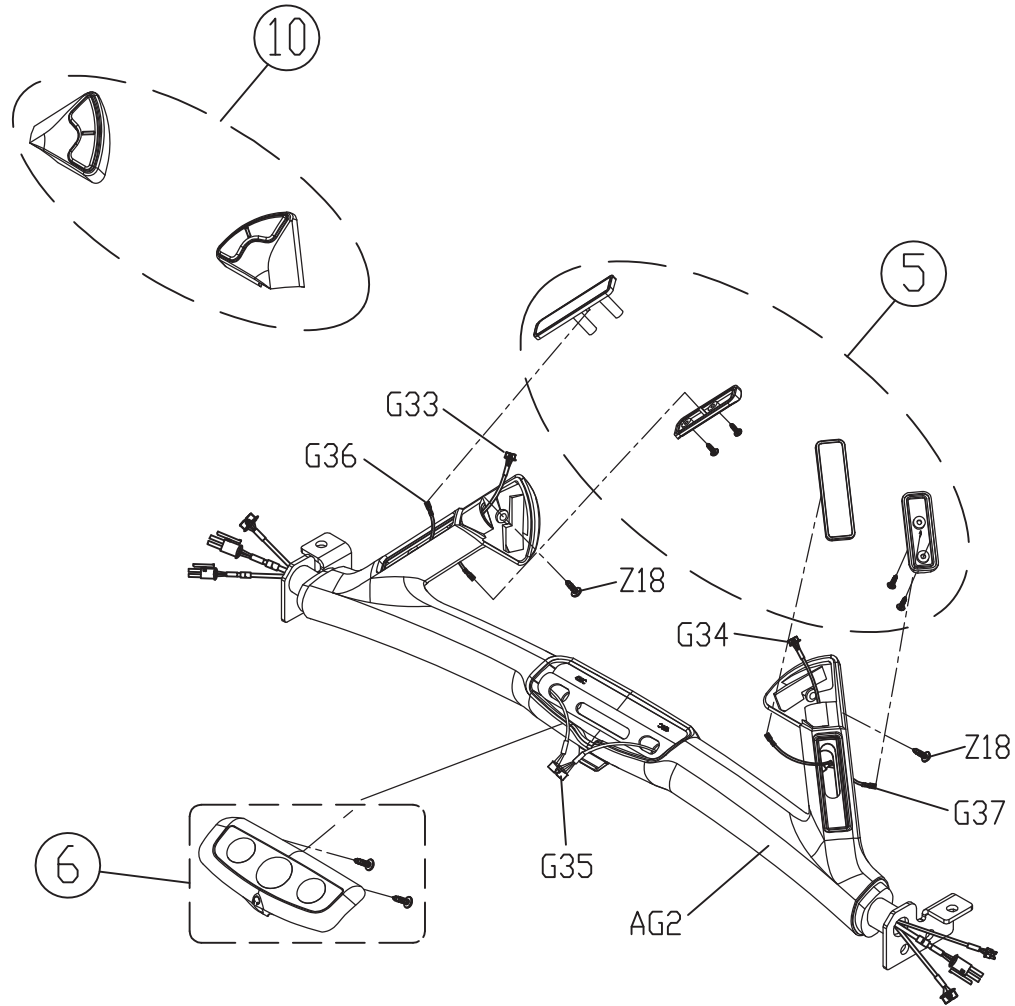
DRAWING NO	TM519-A04
PART NAME	Explosive Rendering Console
PART NO	1000226480
APPROVE	YUTING DATE 083012

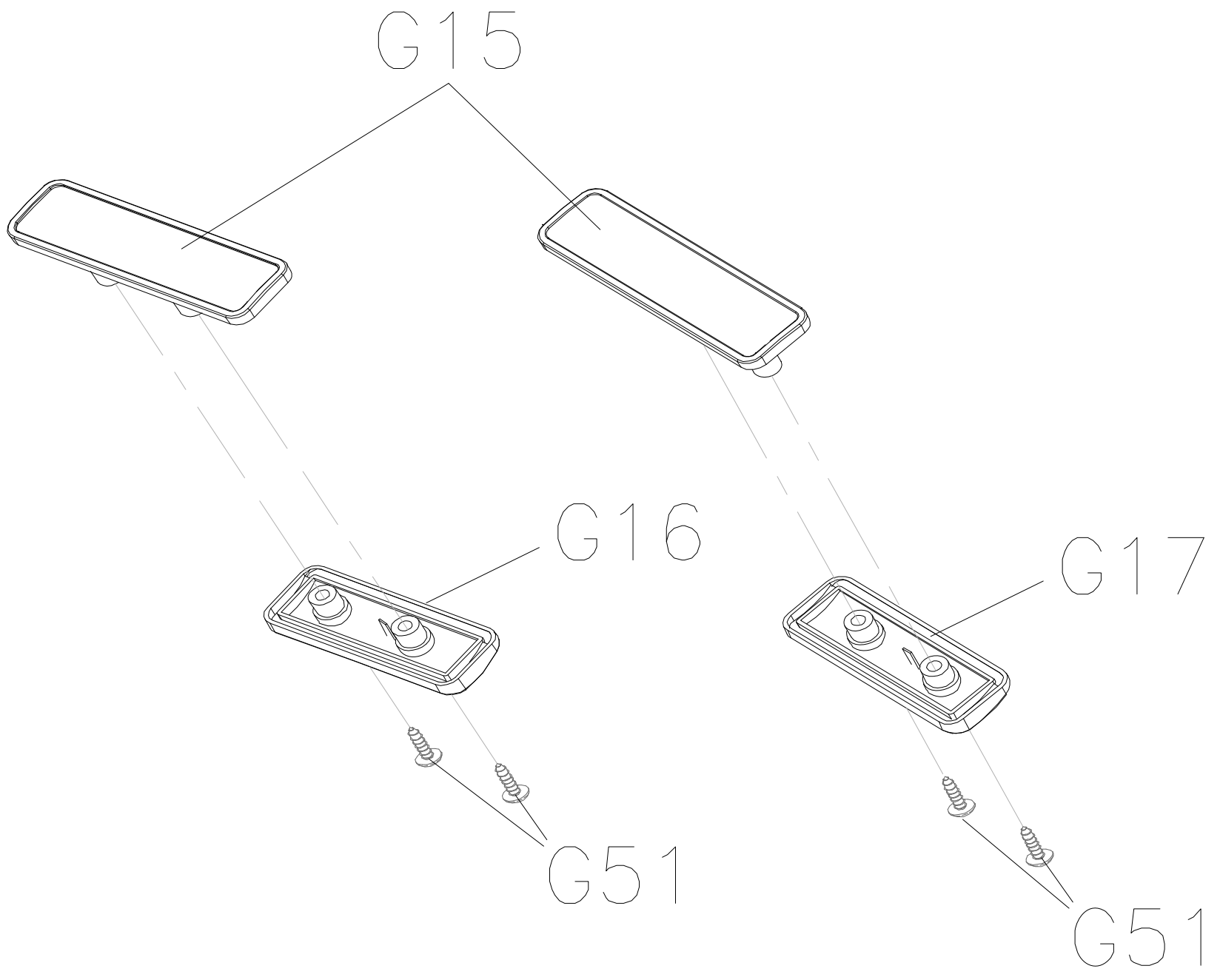
SAP NO.	Model Name
MTM0305-00	T-5x-07-C(1US)



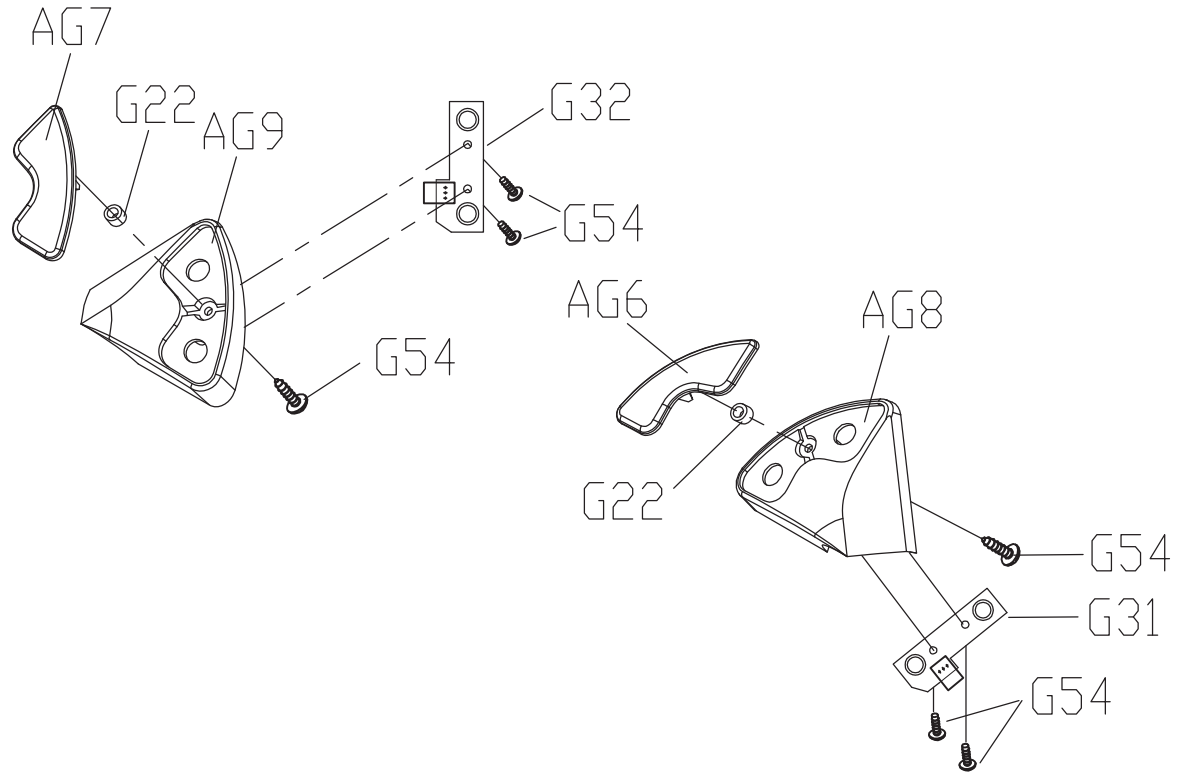


DRAWING NO	TM502-AG11		
PART NAME	Handlebar Set		
PART NO	1000207642 B		
APPROVE	SHUYI	DATE	030111





RAWING NO	TM502-AG12		
PART NAME	Quick Key Set		
PART NO	0000089687		
APPROVE	SHUYI	DATE	101211



DRAWING NO	TM519-AN6		
PART NAME	Console Set		
PART NO	As Attachment C		
APPROVE	YUTING	DATE	082212

Part NO	Description
1000226486	Console Set;ES;ENG;T-5x-06-C

