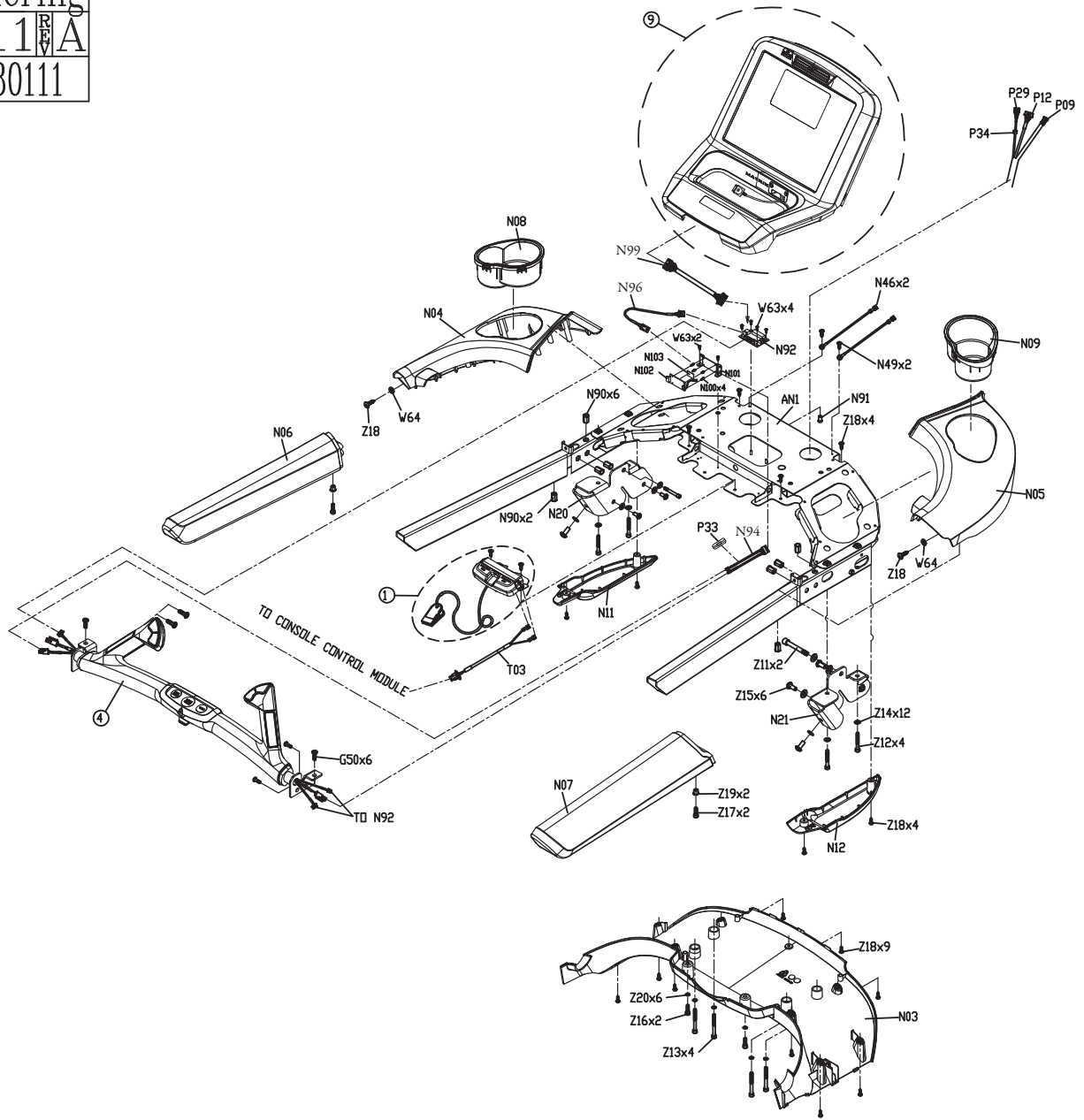
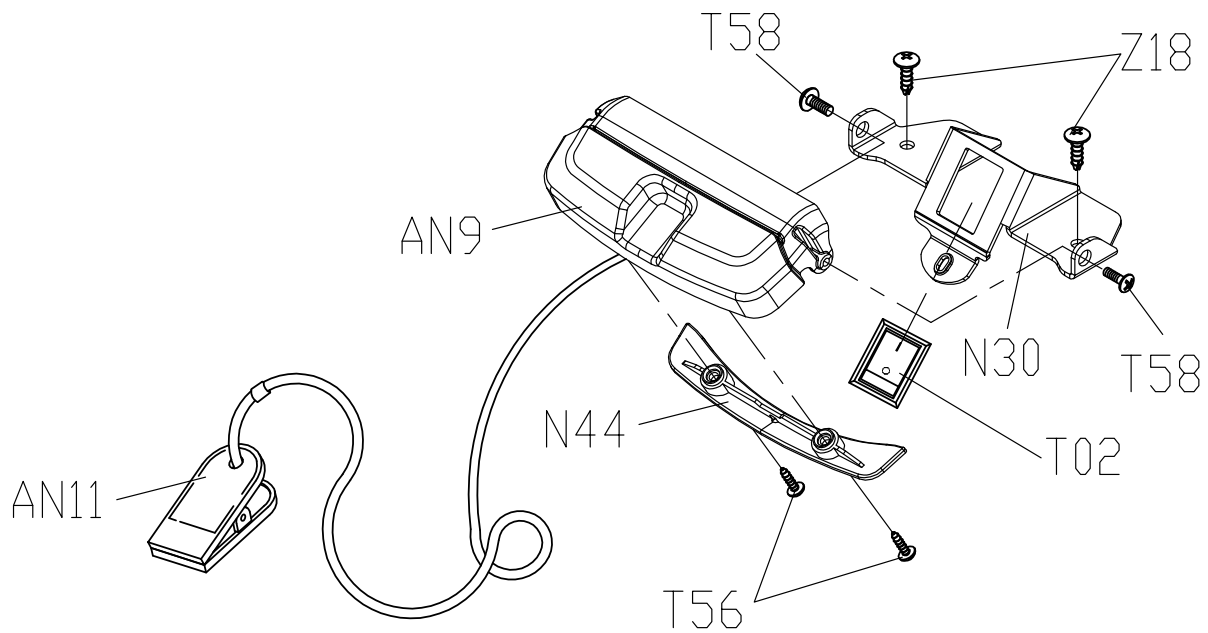


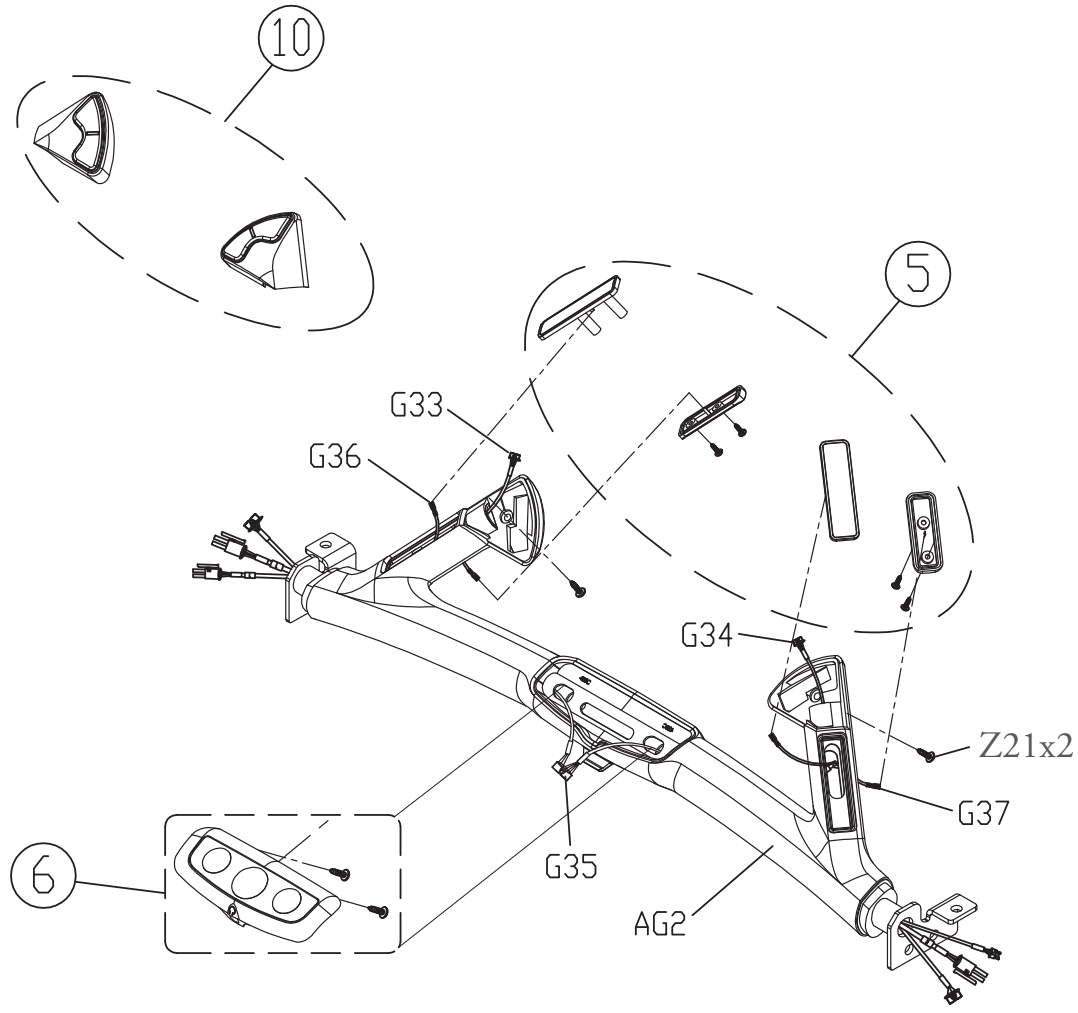
DRAWING NO	TM502C-A04		
PART NAME	Explosive Rendering		
PART NO	1000215311	REV	A
APPROVE	SHUYI	DATE	030111



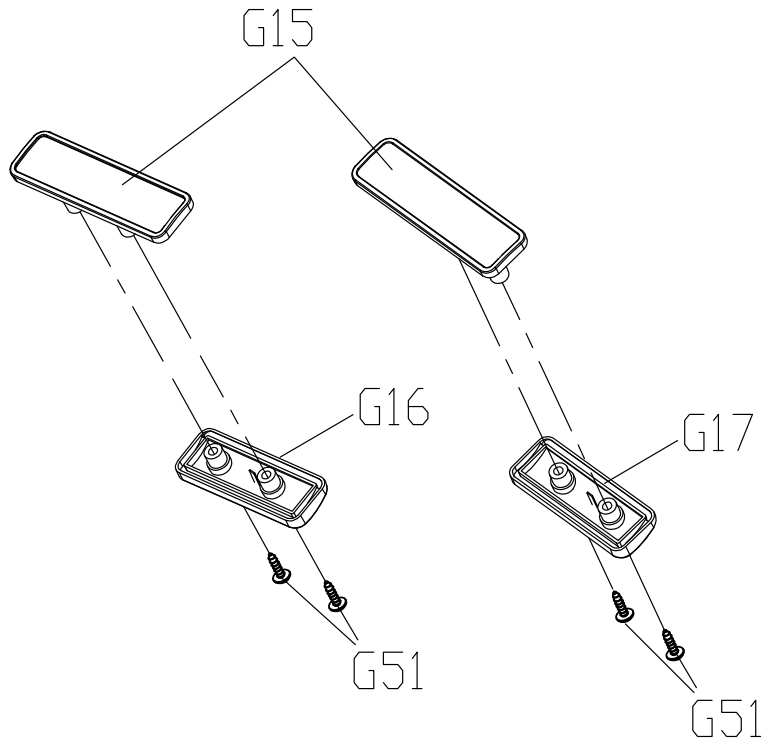
DRAWING NO 圖號	TM501-AT5
PART NAME(CH) 零件名稱(中文)	安全開關組
PART NAME(EN) 零件名稱(英文)	Safety Key Set
SAP PART NO SAP料號	0000088982 A



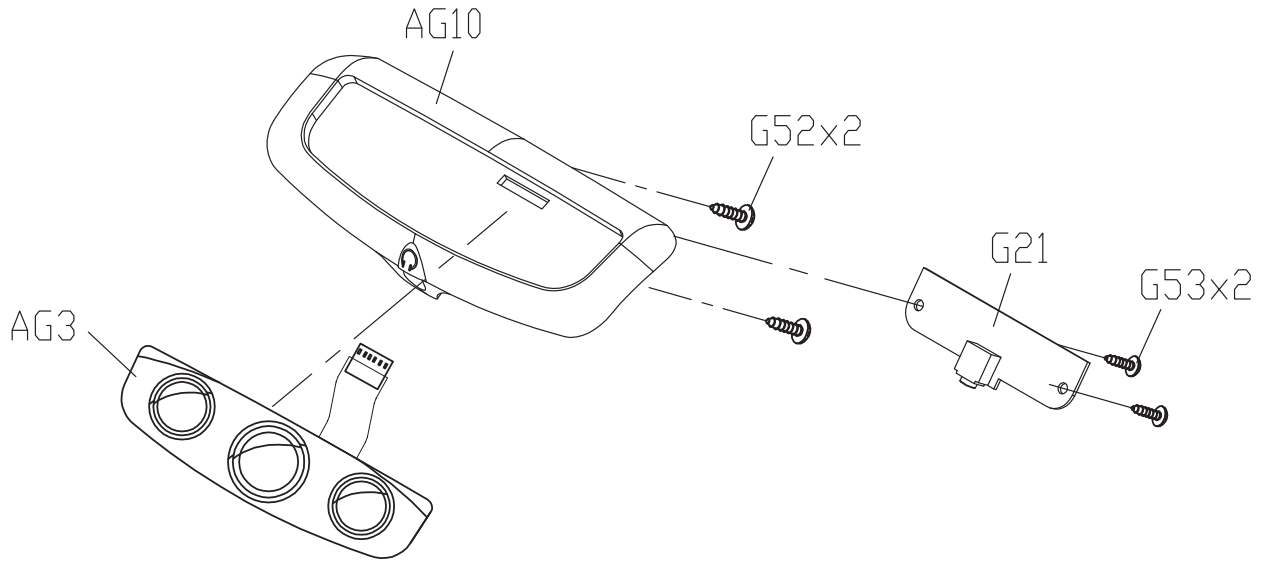
DRAWING NO	TM502-AG11		
PART NAME	Handlebar Set		
PART NO		REV	B
APPROVE	SHUYI	DATE	030111



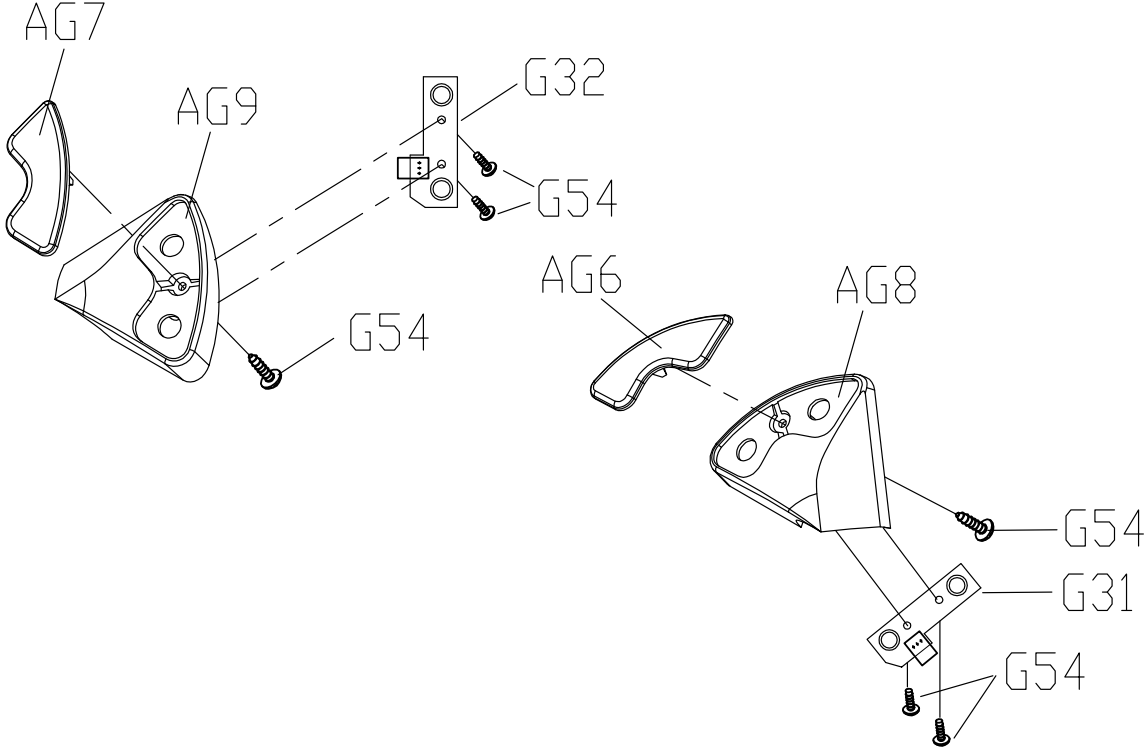
DRAWING NO	TM502-AG13		
PART NAME	HR Grip Cover Set		
PART NO	0000091816	REV	A
APPROVE	SHUYI	DATE	07.26.10



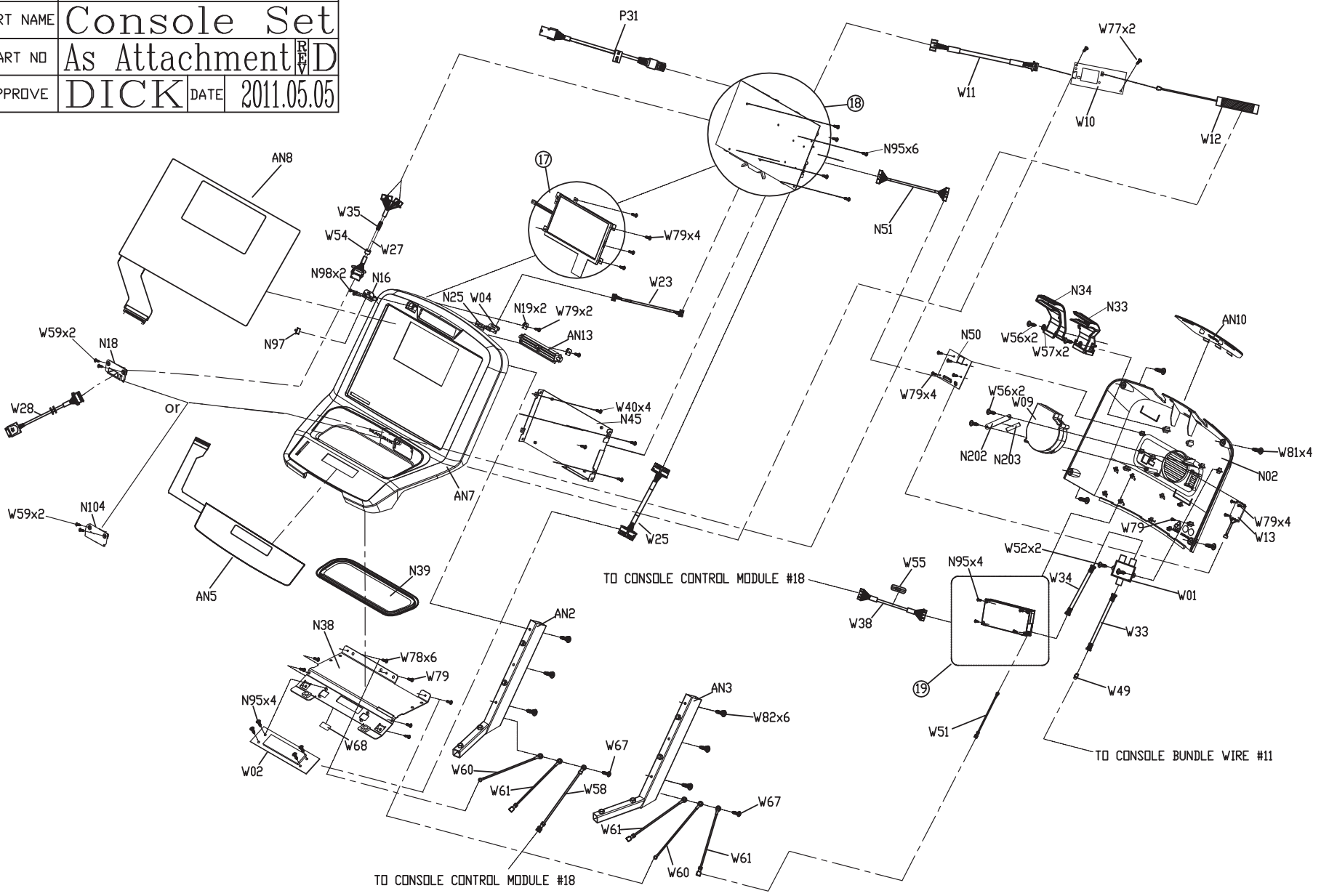
DRAWING NO	TM501-AG12		
PART NAME	Quick Start Overlay Set		
PART NO	As Attachment C		
APPROVE	SHUYI	DATE	020911



DRAWING NO	TM502-AG12		
PART NAME	Quick Key Set		
PART NO	0000089687		
APPROVE	SHUYI	DATE	07.23.10

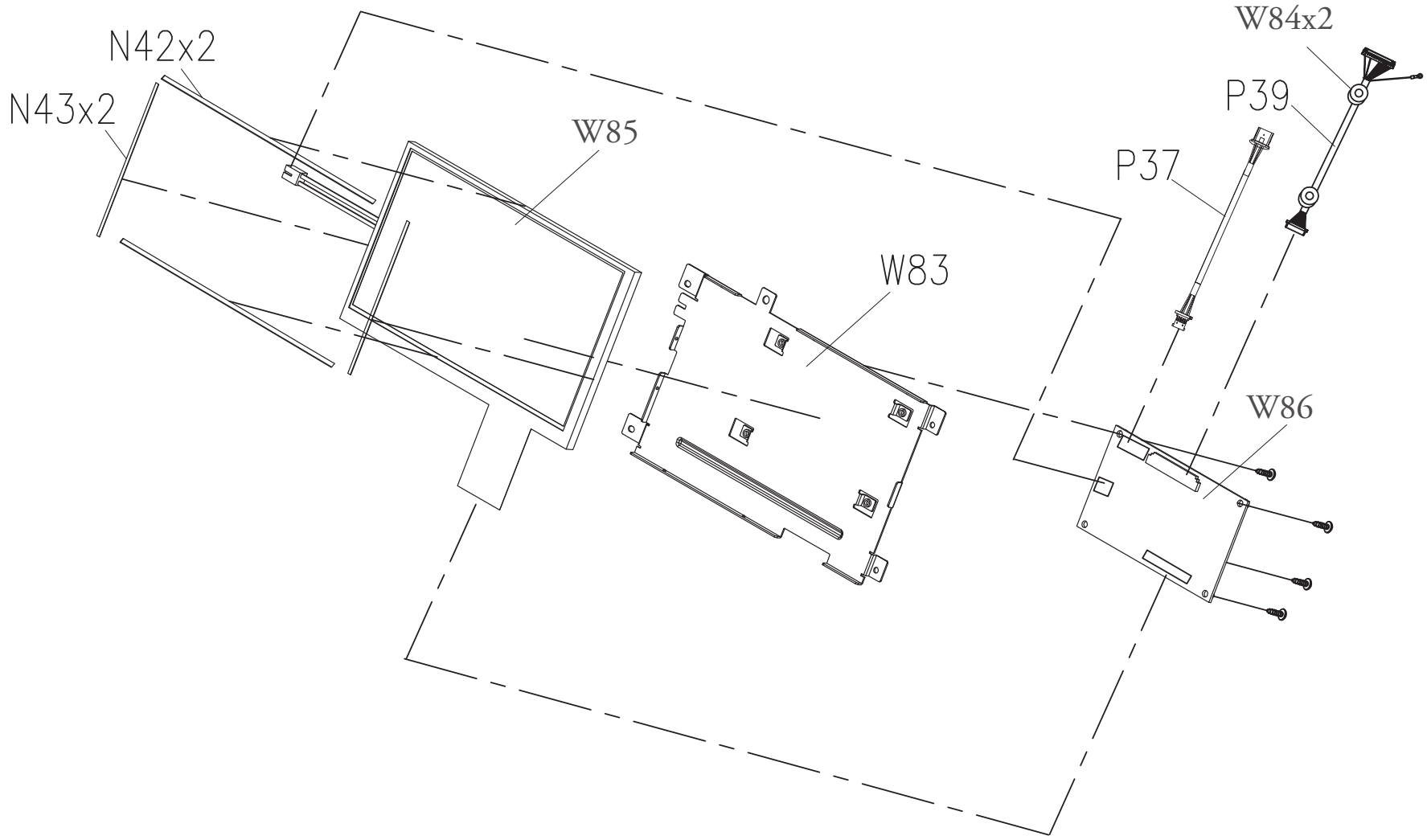


DRAWING NO	TM502D-AN6	
PART NAME	Console Set	
PART NO	As Attachment	
APPROVE	DICK	DATE 2011.05.05

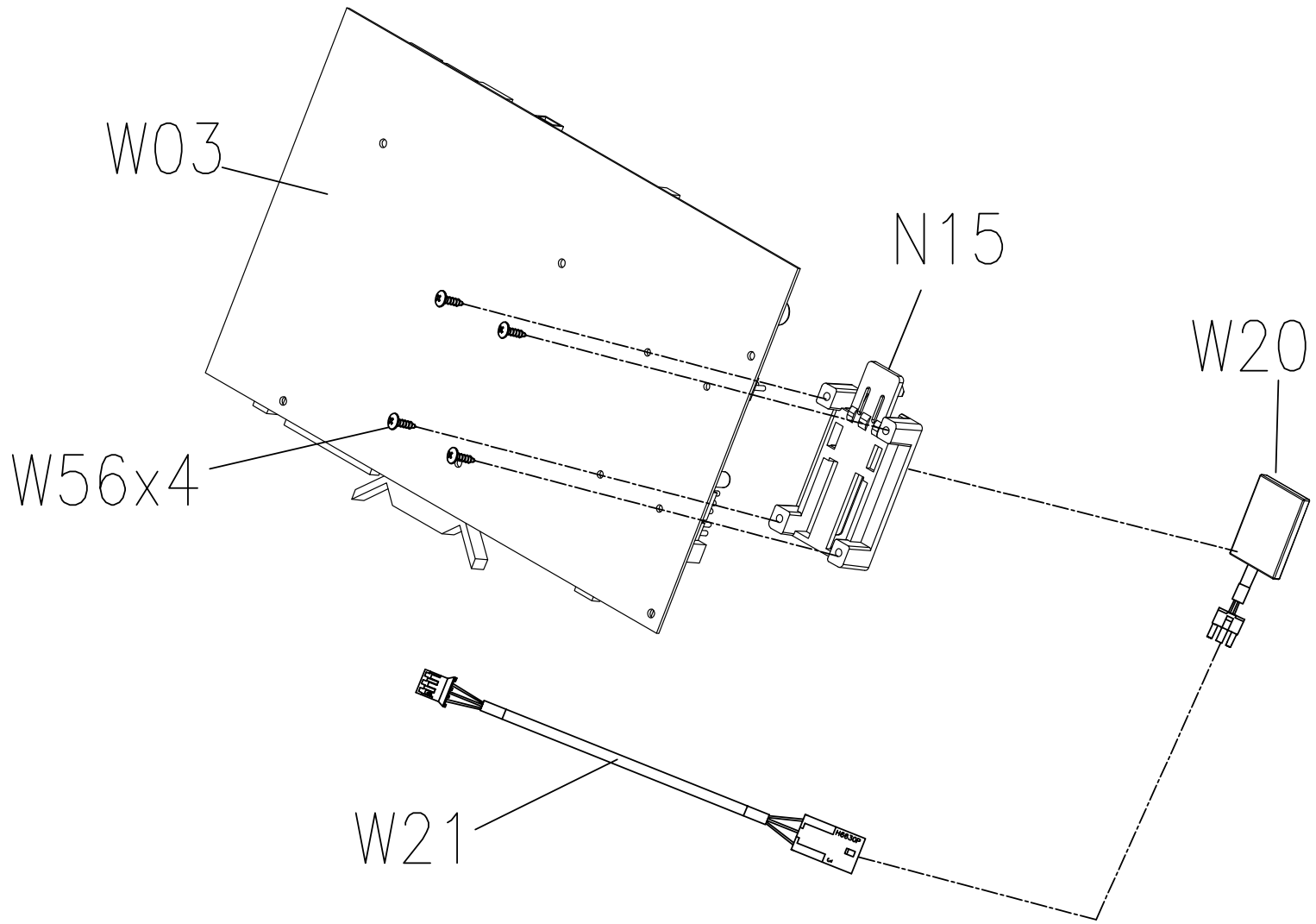


SAP PART NO	LANGUAGE	COMMOND TYPE
1000208119	English	TM502D-US-C

DRAWING NO	EP91C-AN15		
PART NAME	TFT MODULE SET;7 INCH		
PART NO	1000208267	REV	A
APPROVE	YUTING	DATE	20110120



DRAWING NO	TM502D-AW11		
PART NAME	control board;LMM		
PART NO	1000208120	REV	B
APPROVE	YUTING	DATE	2010.02.10



DRAWING NO	TM502-AW31		
PART NAME	TUNER Module Set		
PART NO	As attachment list Ⅱ B		
APPROVE	SHUYI	DATE	09.29.10

