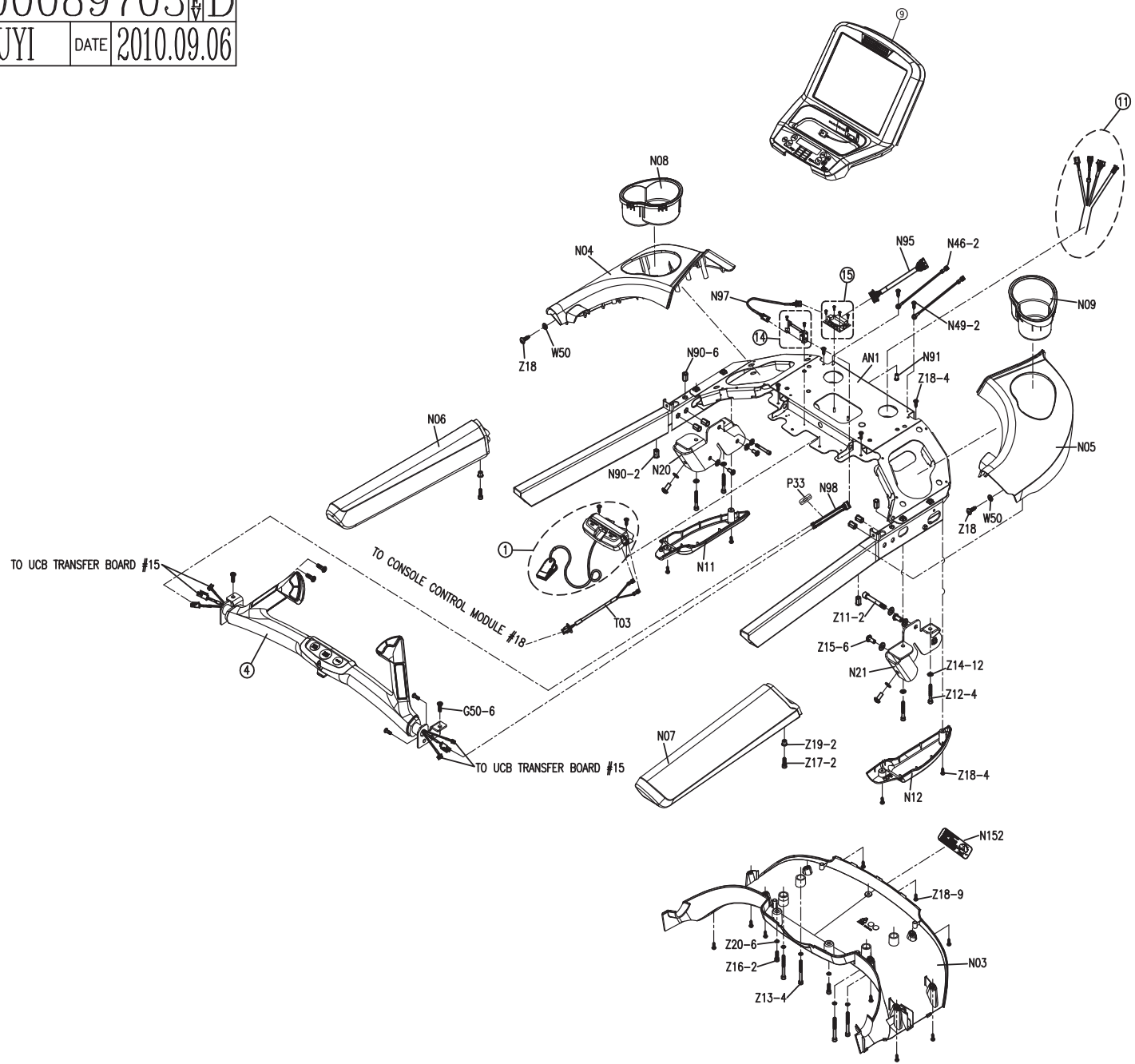
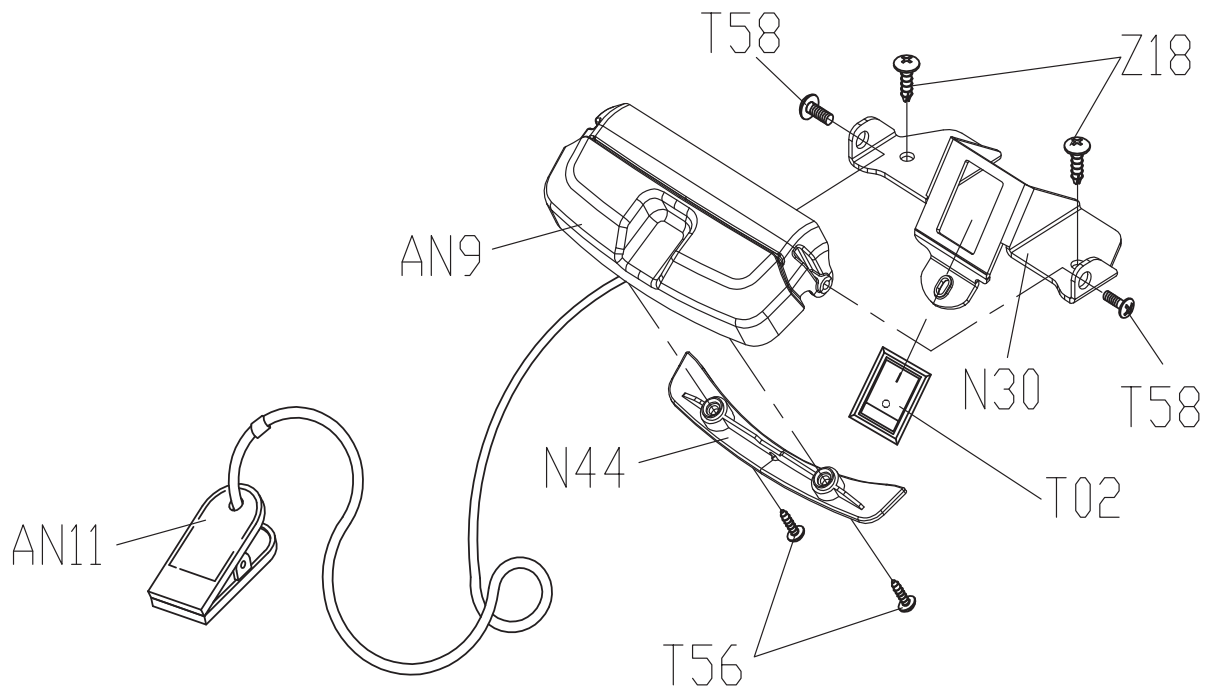


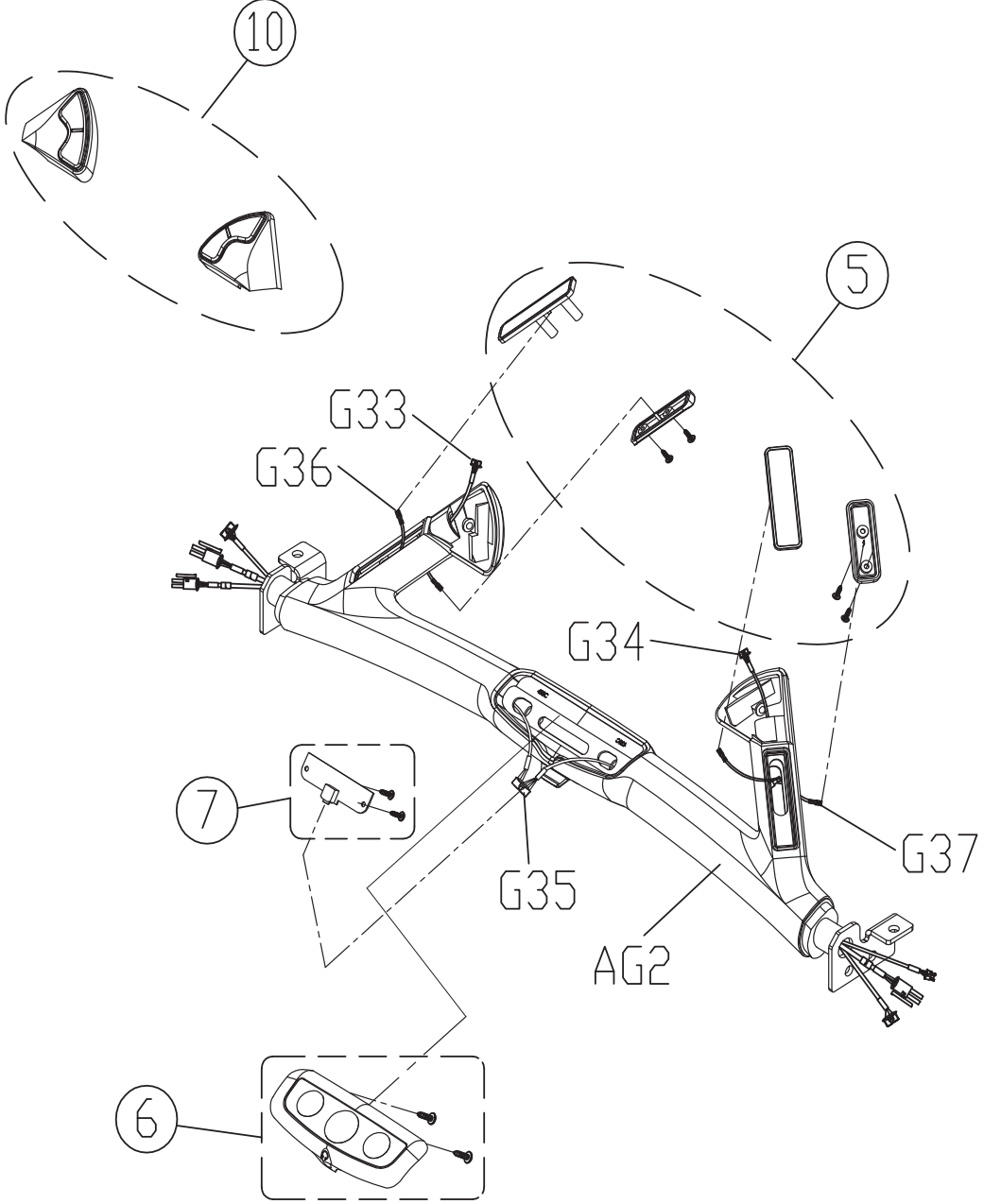
DRAWING NO	TM502-A25		
PART NAME	Explosive Rendering		
PART NO	0000089703	REV	D
APPROVE	SHUYI	DATE	2010.09.06



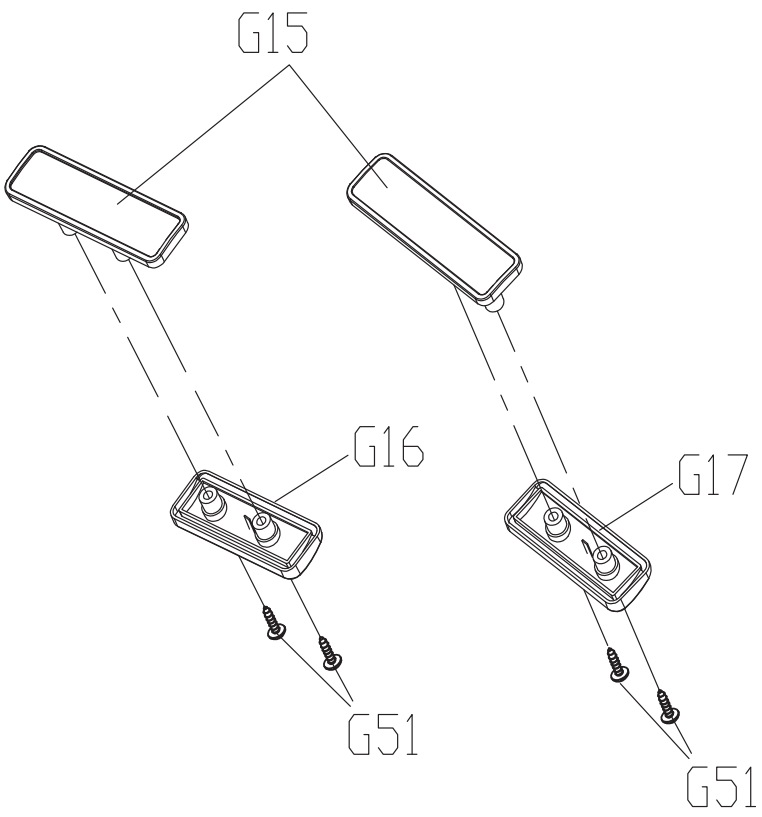
DRAWING NO 圖號	TM501-AT5
PART NAME(CH) 零件名稱(中文)	安全開關組
PART NAME(EN) 零件名稱(英文)	Safety Key Set
SAP PART NO SAP料號	0000088982 A



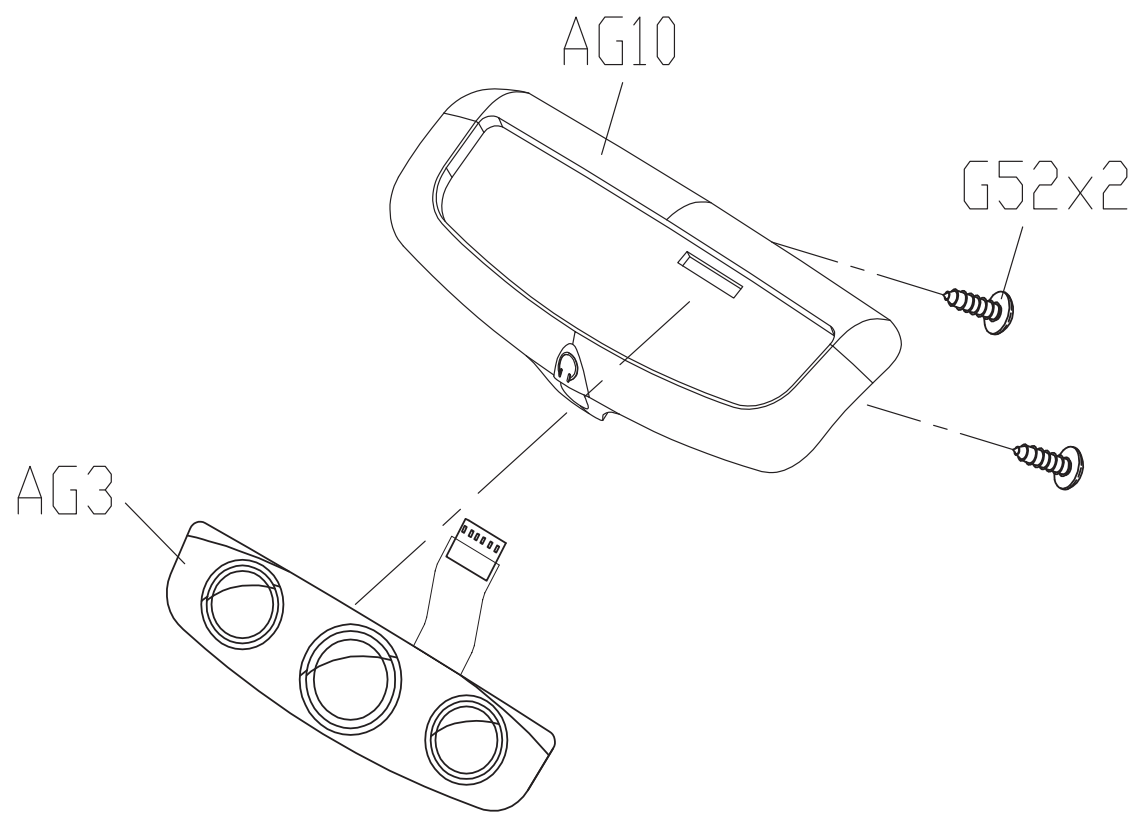
DRAWING NO	TM502-AG11		
PART NAME	Handlebar Set		
PART NO		REV	A
APPROVE	SHUYI	DATE	07.28.10



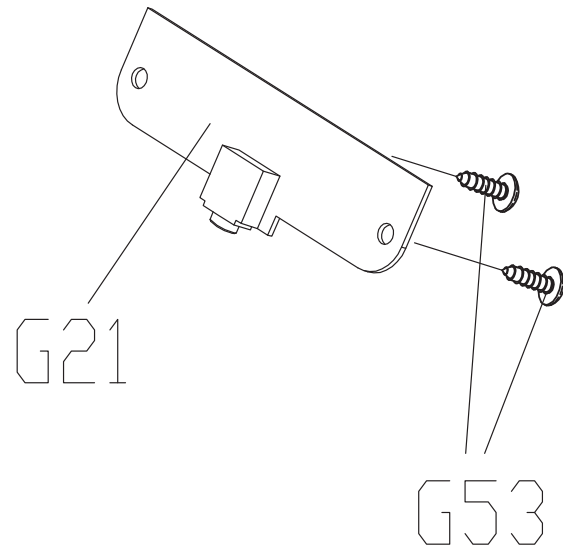
DRAWING NO	TM502-AG13		
PART NAME	HR Grip Cover Set		
PART NO	0000091816	REV	A
APPROVE	SHUYI	DATE	07.26.10



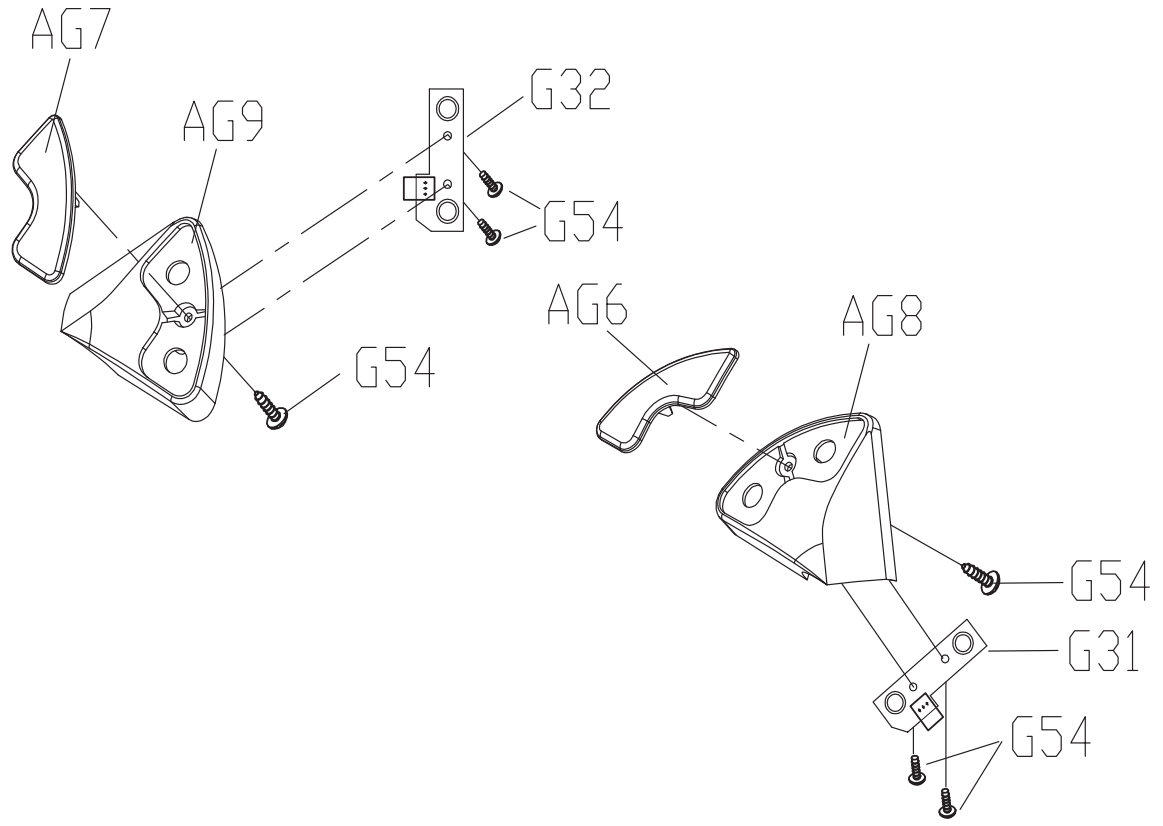
DRAWING NO	TM501-AG12		
PART NAME	Quick Start Overlay Set		
PART NO	As Attachment B		
APPROVE	S.T.C	DATE	09.08.10



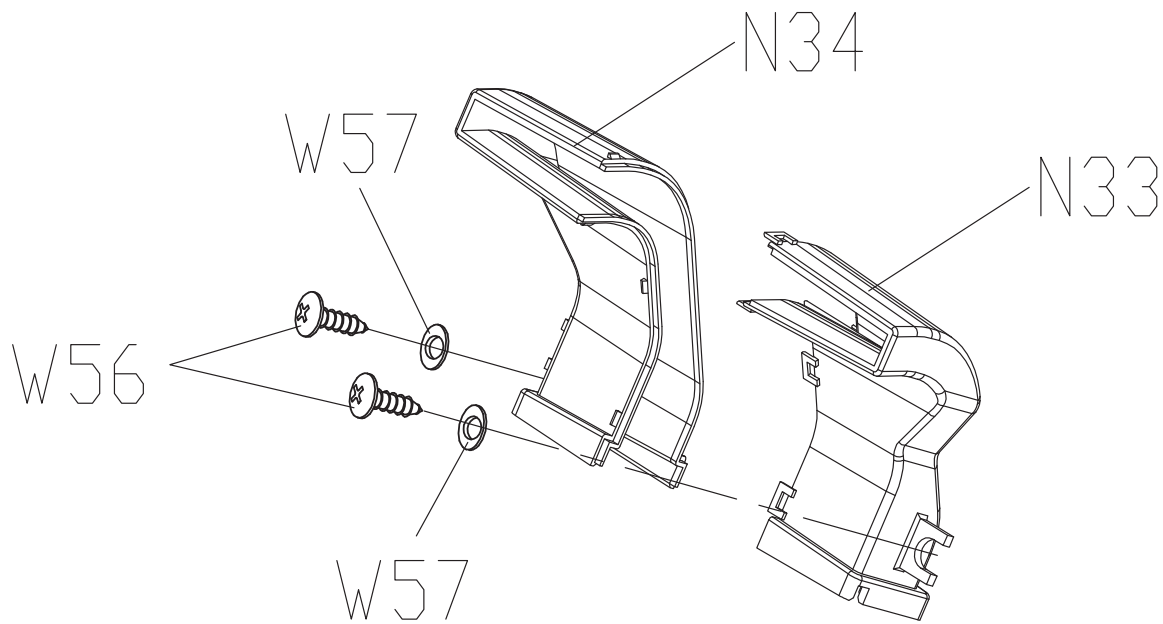
DRAWING NO 圖號	TM501-AG16
PART NAME(CH) 零件名稱(中文)	耳機小板組
PART NAME(EN) 零件名稱(英文)	Ear Phone Board Set
SAP PART NO SAP料號	0000094434
	REV A



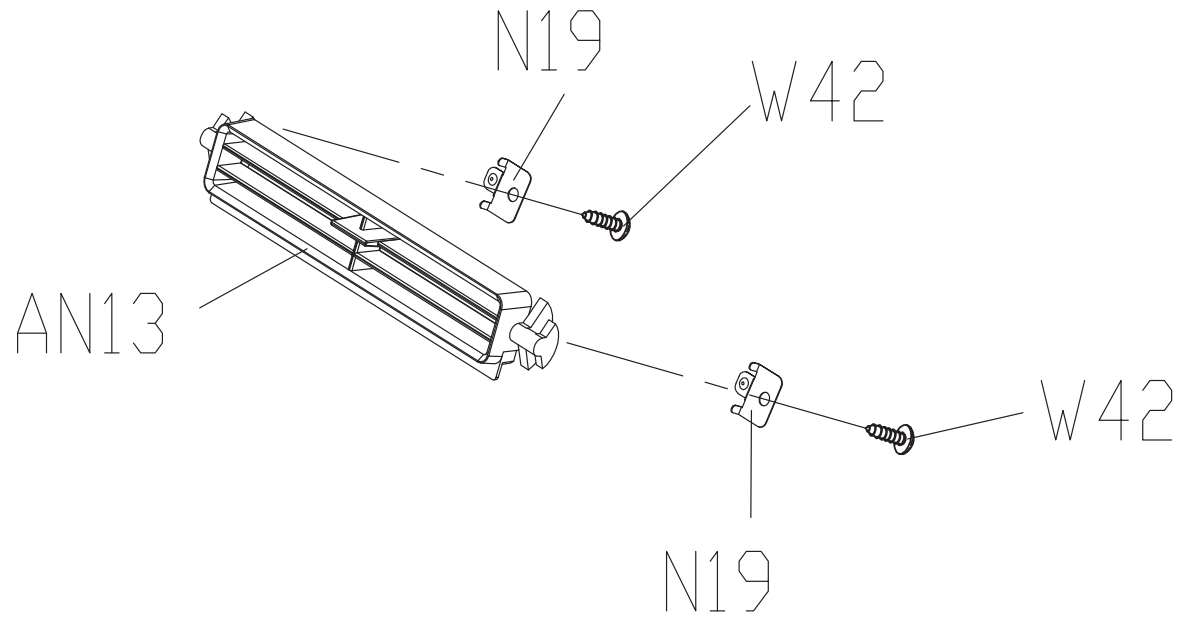
DRAWING NO	TM502-AG12		
PART NAME	Quick Key Set		
PART NO	0000089687	REV	A
APPROVE	SHUYI	DATE	07.23.10



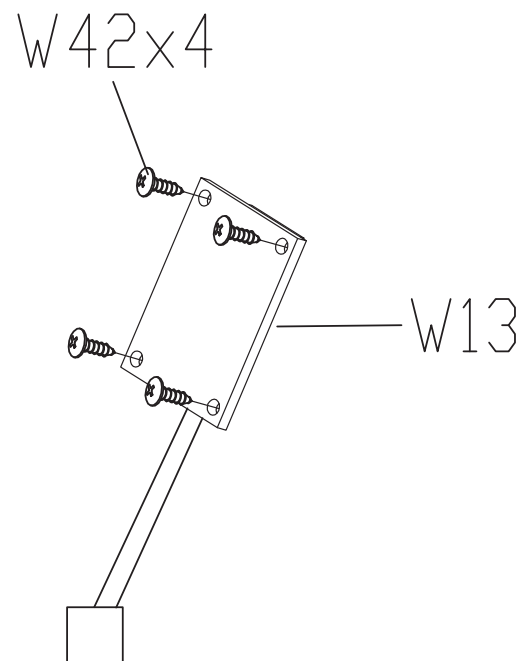
DRAWING NO 圖號	TM501-AN15
PART NAME(CH) 零件名稱(中文)	集風管護蓋組
PART NAME(EN) 零件名稱(英文)	FAN SHROUD SET
SAP PART NO SAP料號	0000088988
	REV A



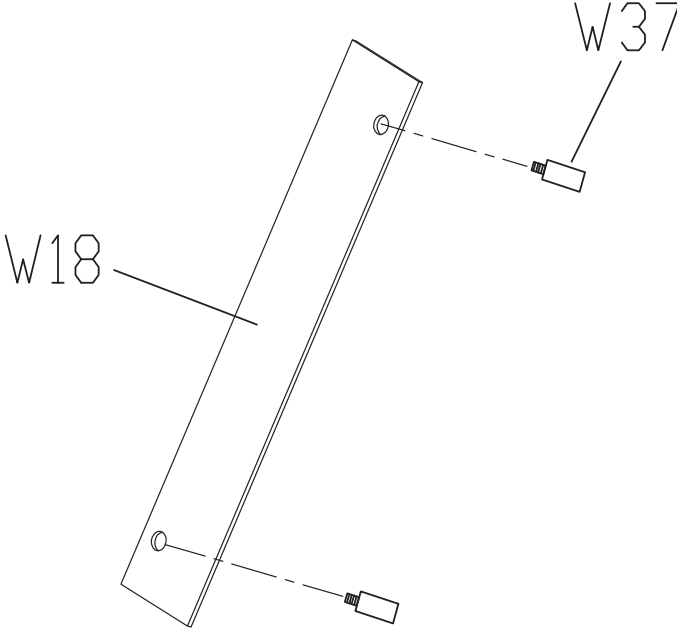
DRAWING NO 圖號	TM501-AN14
PART NAME(CH) 零件名稱(中文)	風扇護蓋組
PART NAME(EN) 零件名稱(英文)	FAN VENT SET
SAP PART NO SAP料號	0000088984
	REV A



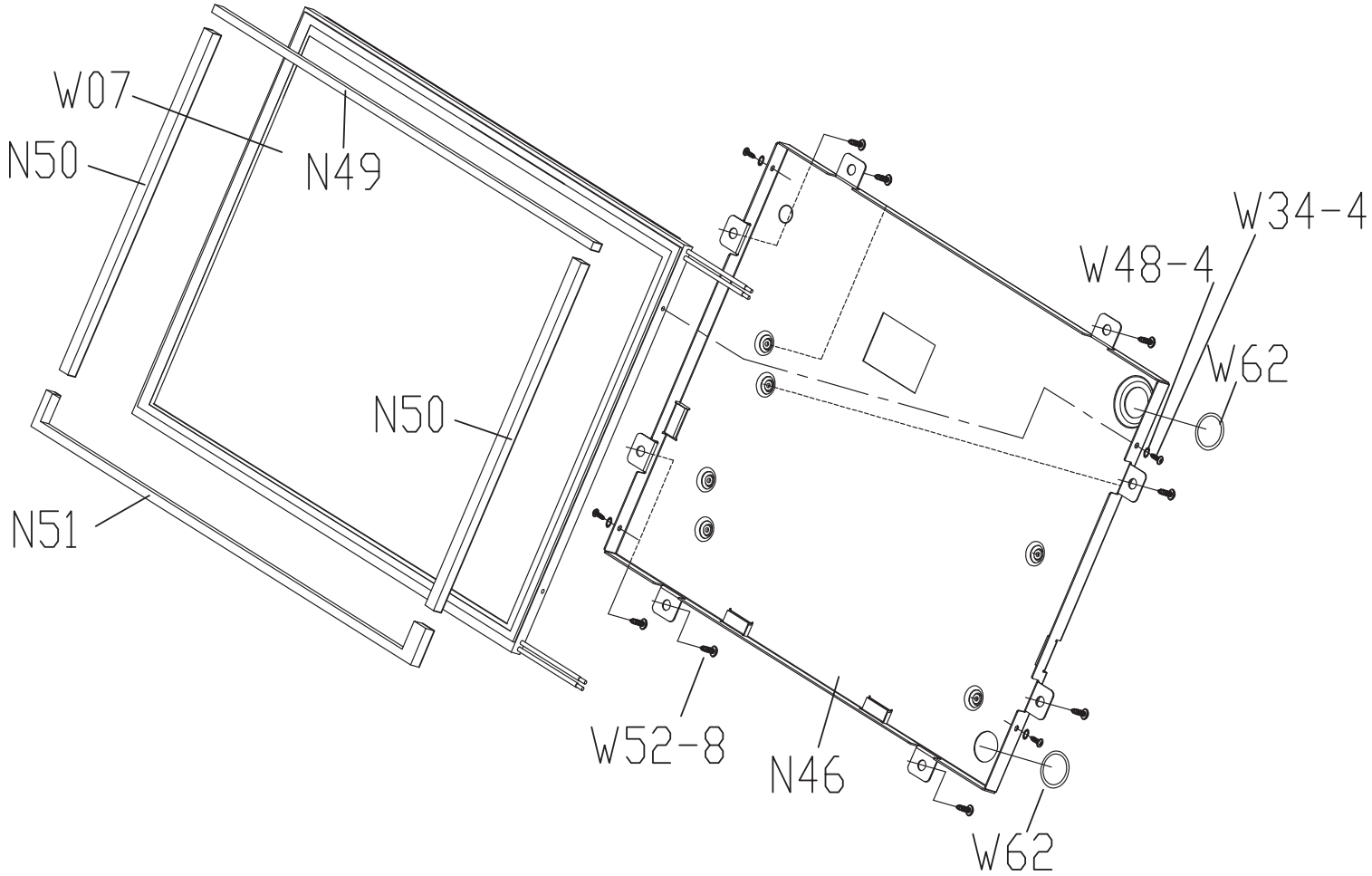
DRAWING NO 圖號	TM501-AW13
PART NAME(CH) 零件名稱(中文)	喇叭架系目
PART NAME(EN) 零件名稱(英文)	Speaker Set
SAP PART NO SAP料號	0000089498  A



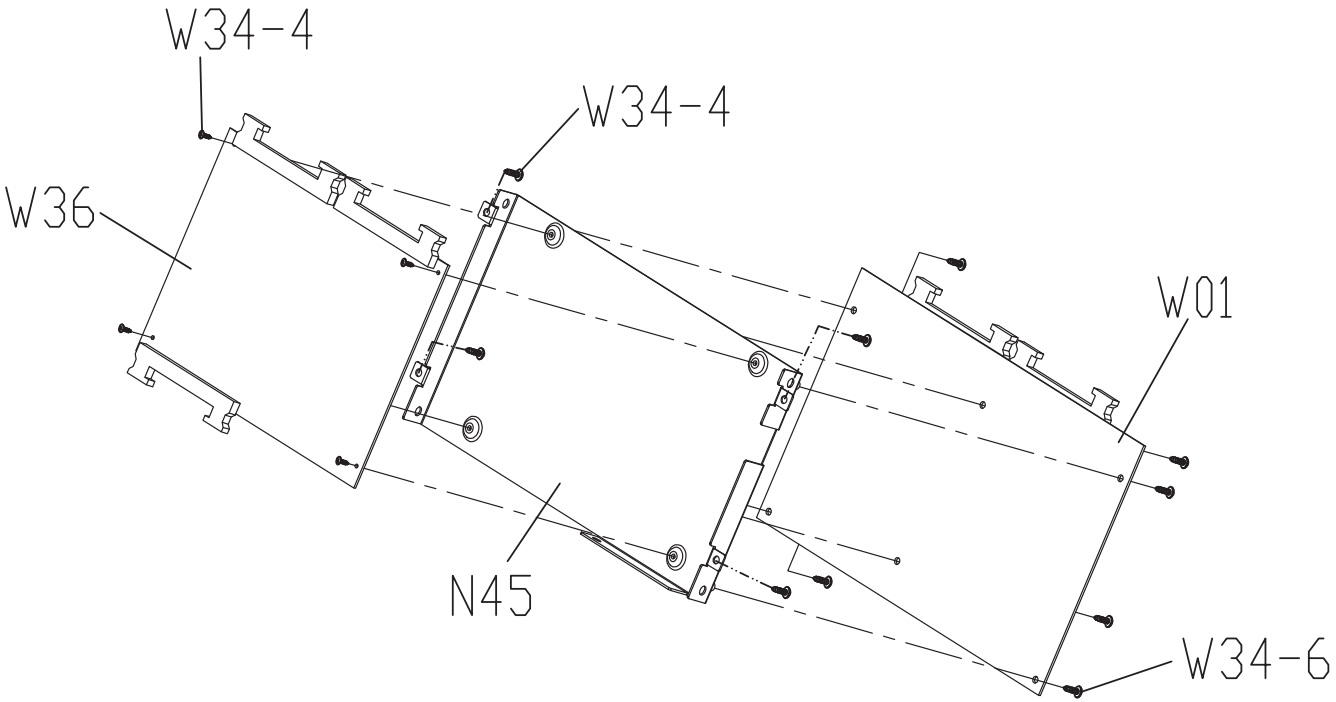
DRAWING NO	TM503-AW13		
PART NAME	Inverter Board Set		
PART NO	0000089075	REV	A
APPROVE	SHUYI	DATE	08.05.10



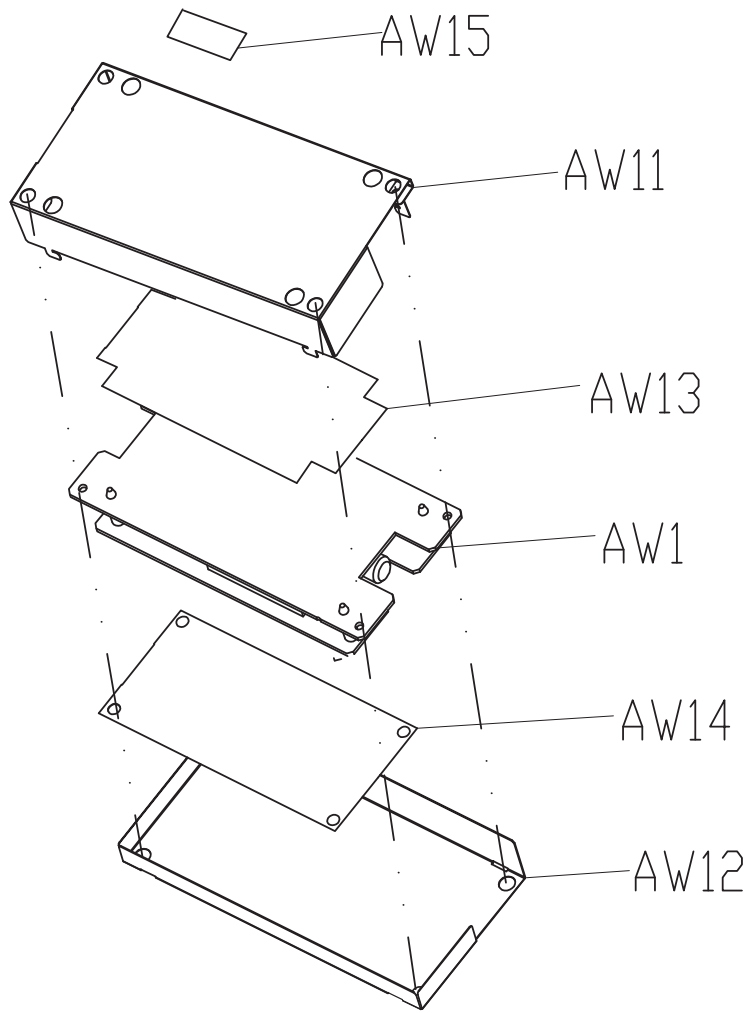
DRAWING NO	TM503-AN14		
PART NAME	15 Inch TFT LCD Module Set		
PART NO	0000089077 A		
APPROVE	SHUYI	DATE	08.05.10



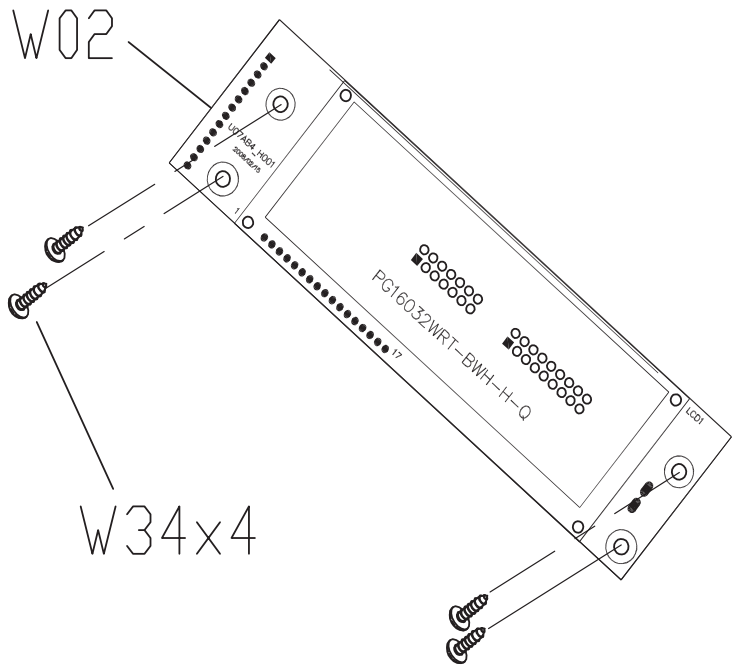
DRAWING NO	TM503-AN15		
PART NAME	Console Control Board Set		
PART NO	0000094796 R/D		
APPROVE	SHUYI	DATE	09.23.10



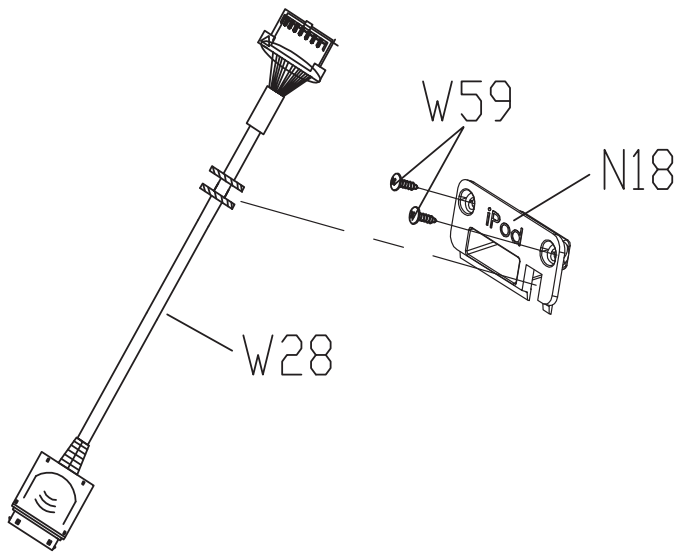
DRAWING NO	TM502-AW31		
PART NAME	TUNER Module Set		
PART NO	As attachment list B		
APPROVE	SHUYI	DATE	09.29.10



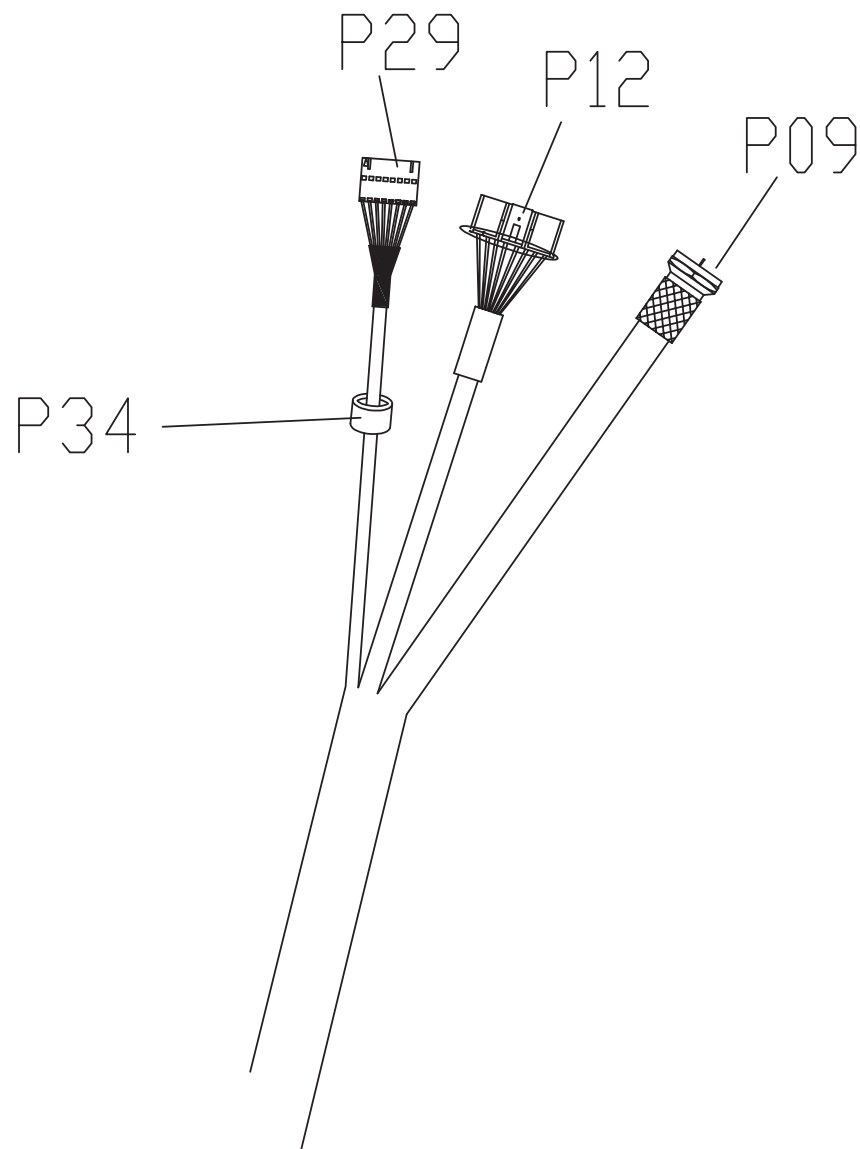
DRAWING NO	TM503-AW11		
PART NAME	TV Control Board Set		
PART NO	0000089691R/A		
APPROVE	SHUYI	DATE	07.26.10



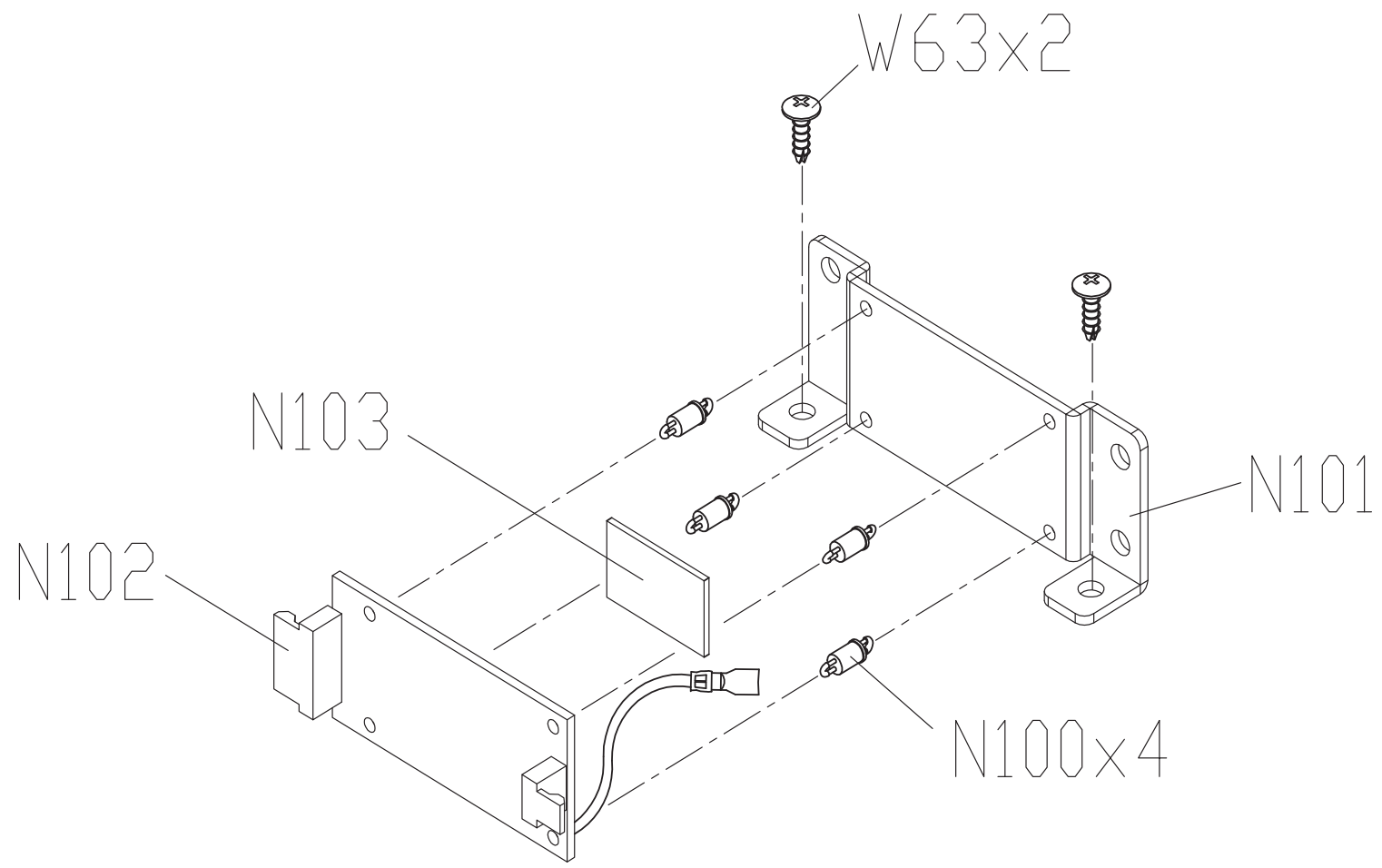
DRAWING NO	TM503-AW12		
PART NAME	Ipod Set		
PART NO	0000089782	REV	A
APPROVE	SHUYI	DATE	07.26.10



DRAWING NO 圖號	TM501C-AP10
PART NAME(CH) 零件名稱(中文)	儀錶線材組
PART NAME(EN) 零件名稱(英文)	Console Cable Set
SAP PART NO SAP料號	1000201166  A



DRAWING NO 圖號	TM501-AN17
PART NAME(CH) 零件名稱(中文)	心跳板組
PART NAME(EN) 零件名稱(英文)	Pulse Receiver Set
SAP PART NO SAP料號	0000089110  A



DRAWING NO 圖號	TM501-AN16
PART NAME(CH) 零件名稱(中文)	儀錶轉接板組
PART NAME(EN) 零件名稱(英文)	UCB Interface Board Set
SAP PART NO SAP料號	0000089500 ^{REV} A

