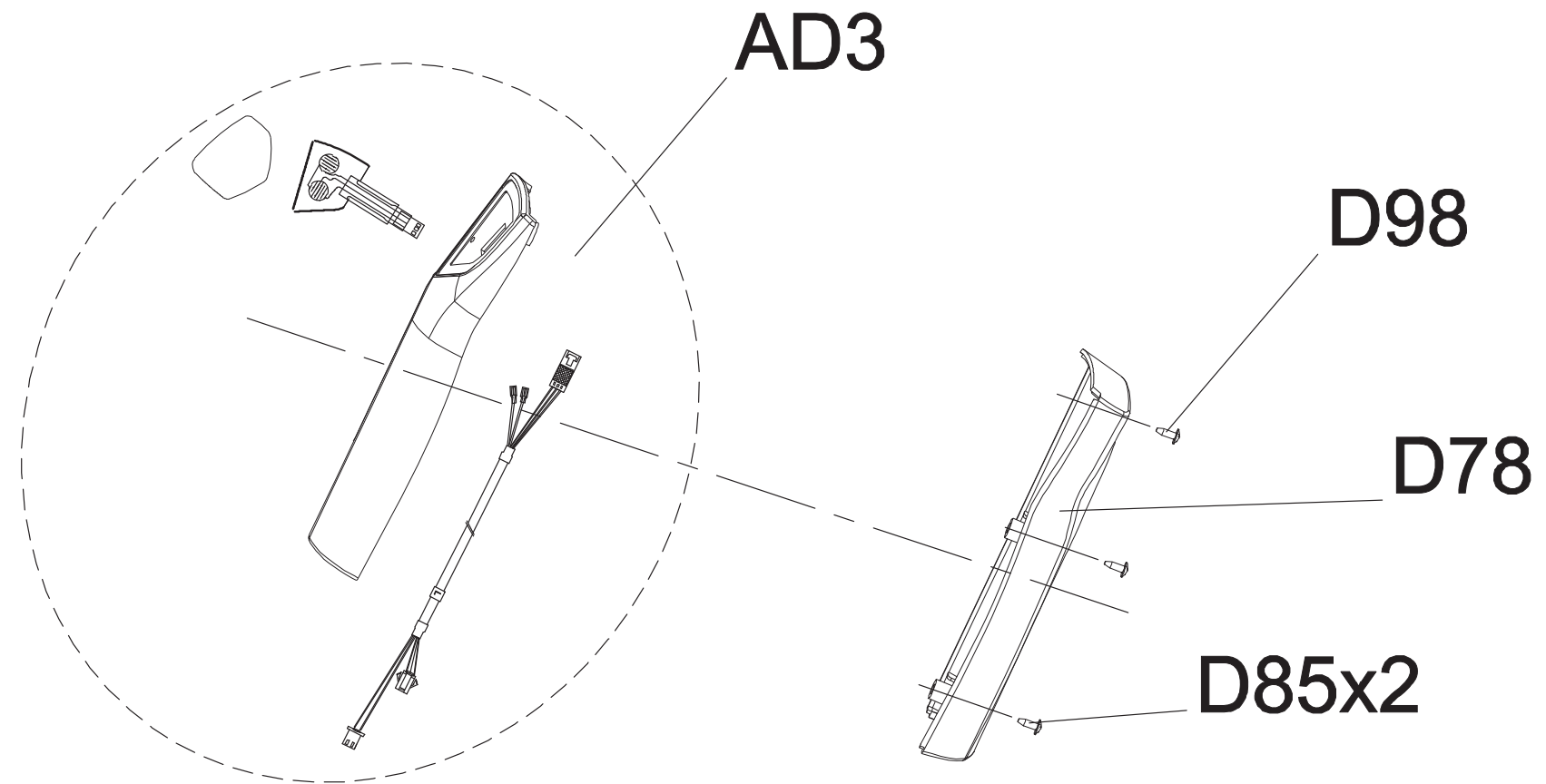
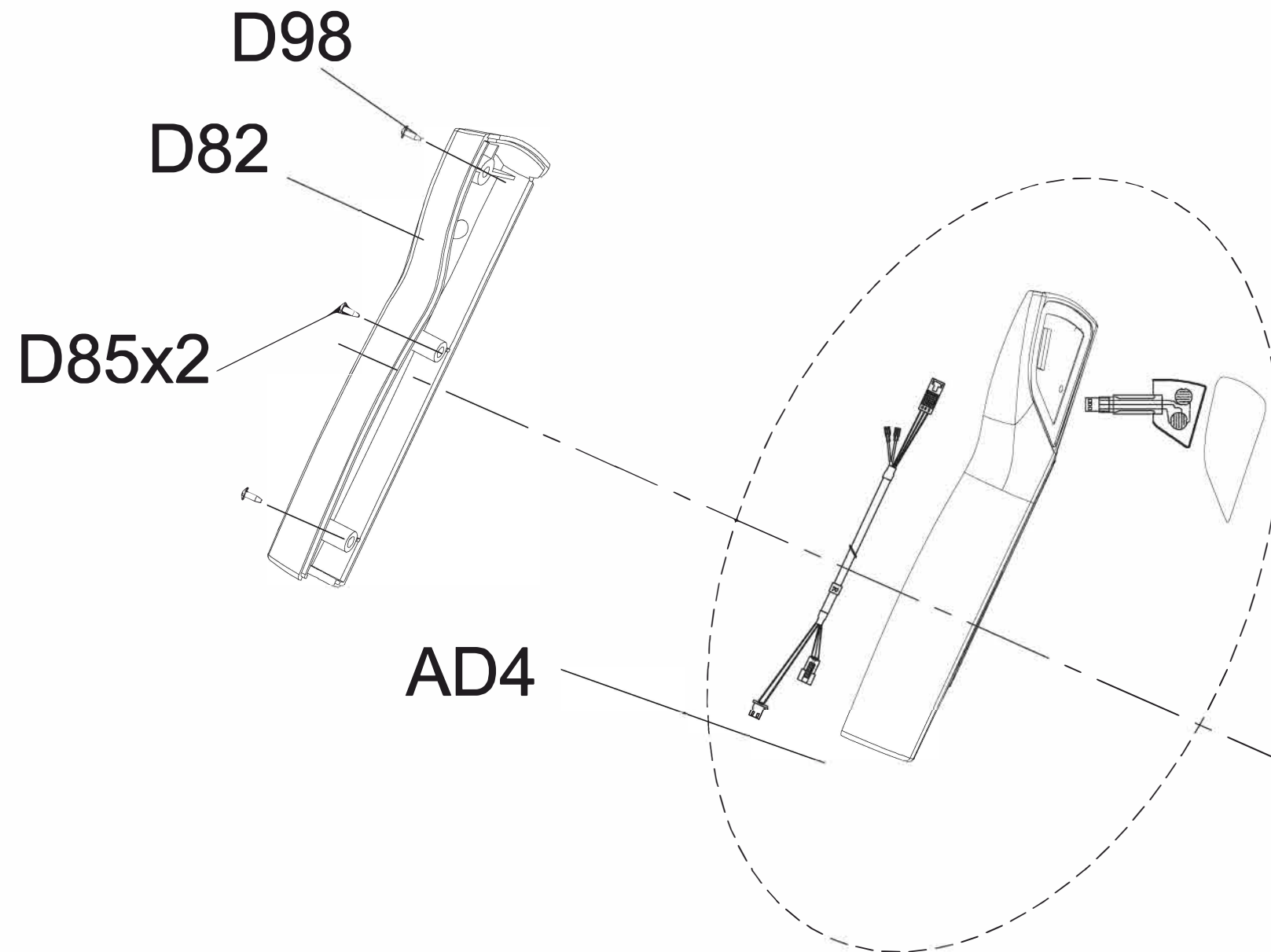


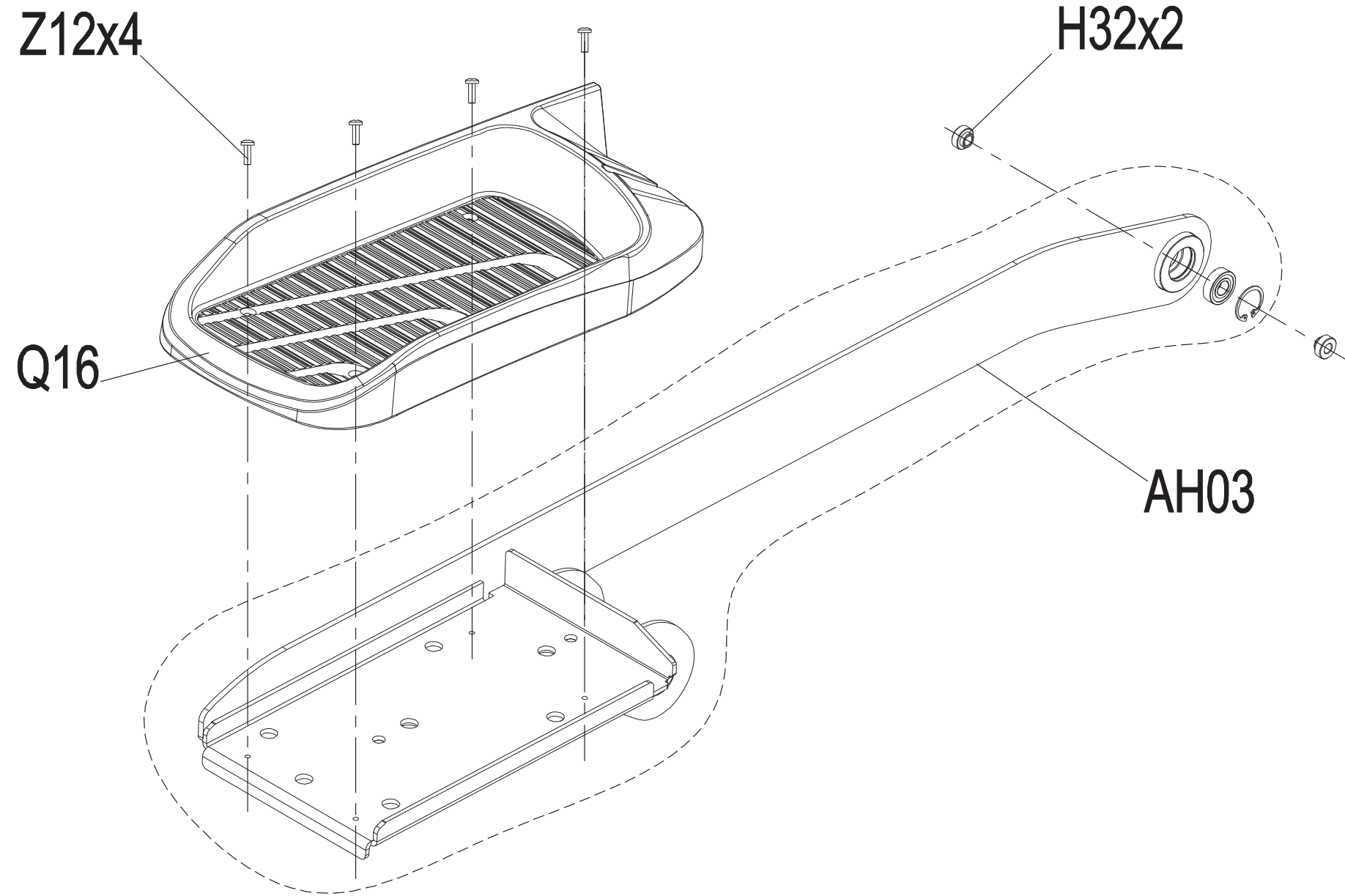
DRAWING NO	EP598-AD1		
PART NAME	Handgrip Set;;left		
PART NO	1000391934	REV	A
APPROVE	Harvey	DATE	2016.07.21



DRAWING NO	EP598-AD2		
PART NAME	Handgrip Set;;right		
PART NO	1000391935	REV	A
APPROVE	Harvey	DATE	2016.07.21



DRAWING NO	EP597-AH31		
PART NAME	Link Arm Set;;left		
PART NO	1000398934	REV	A
APPROVE	Harvey	DATE	2016.10.06



DRAWING NO	EP597-AH41		
PART NAME	Link Arm Set;;right		
PART NO	1000398935	REV	A
APPROVE	Harvey	DATE	2016.10.06

