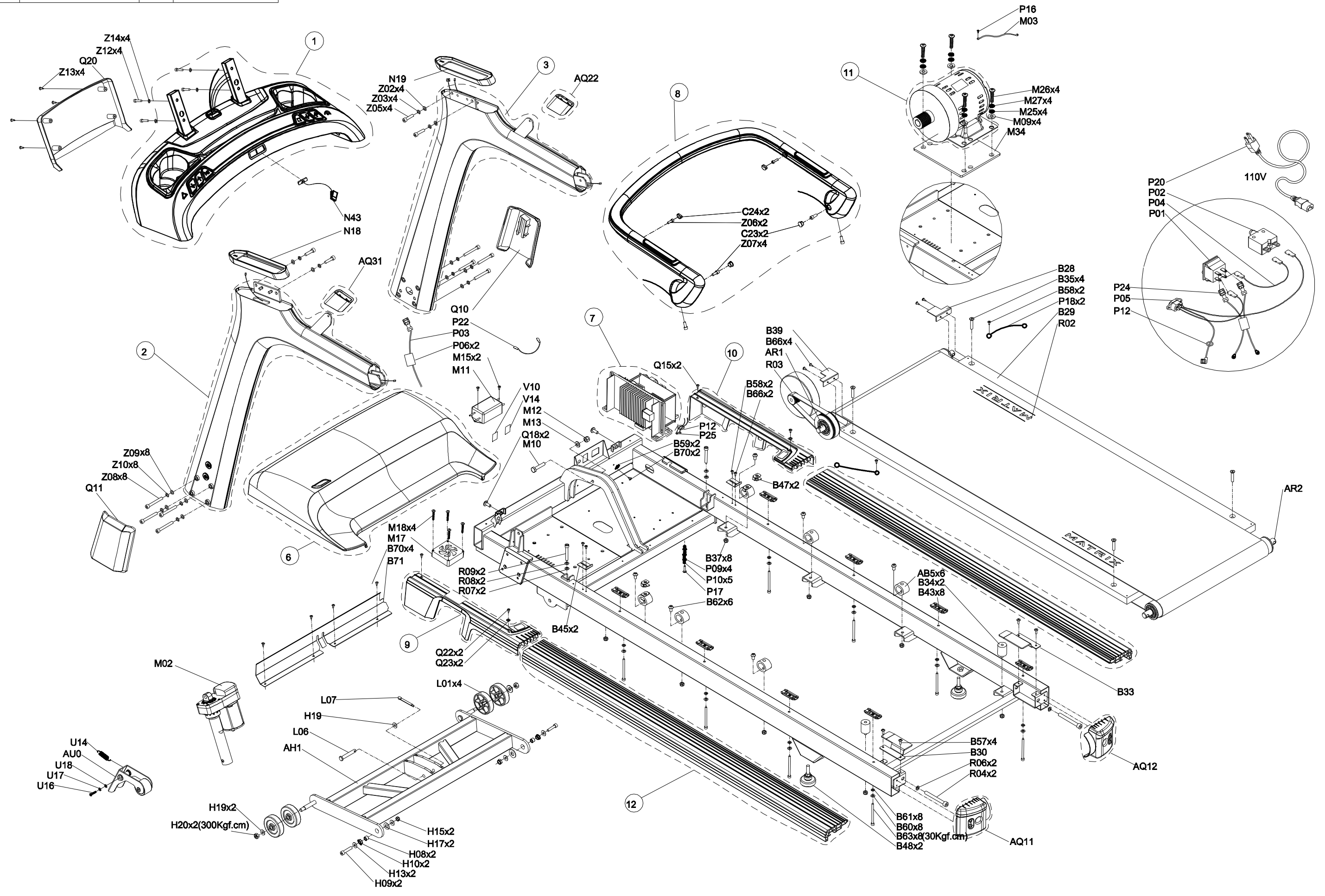
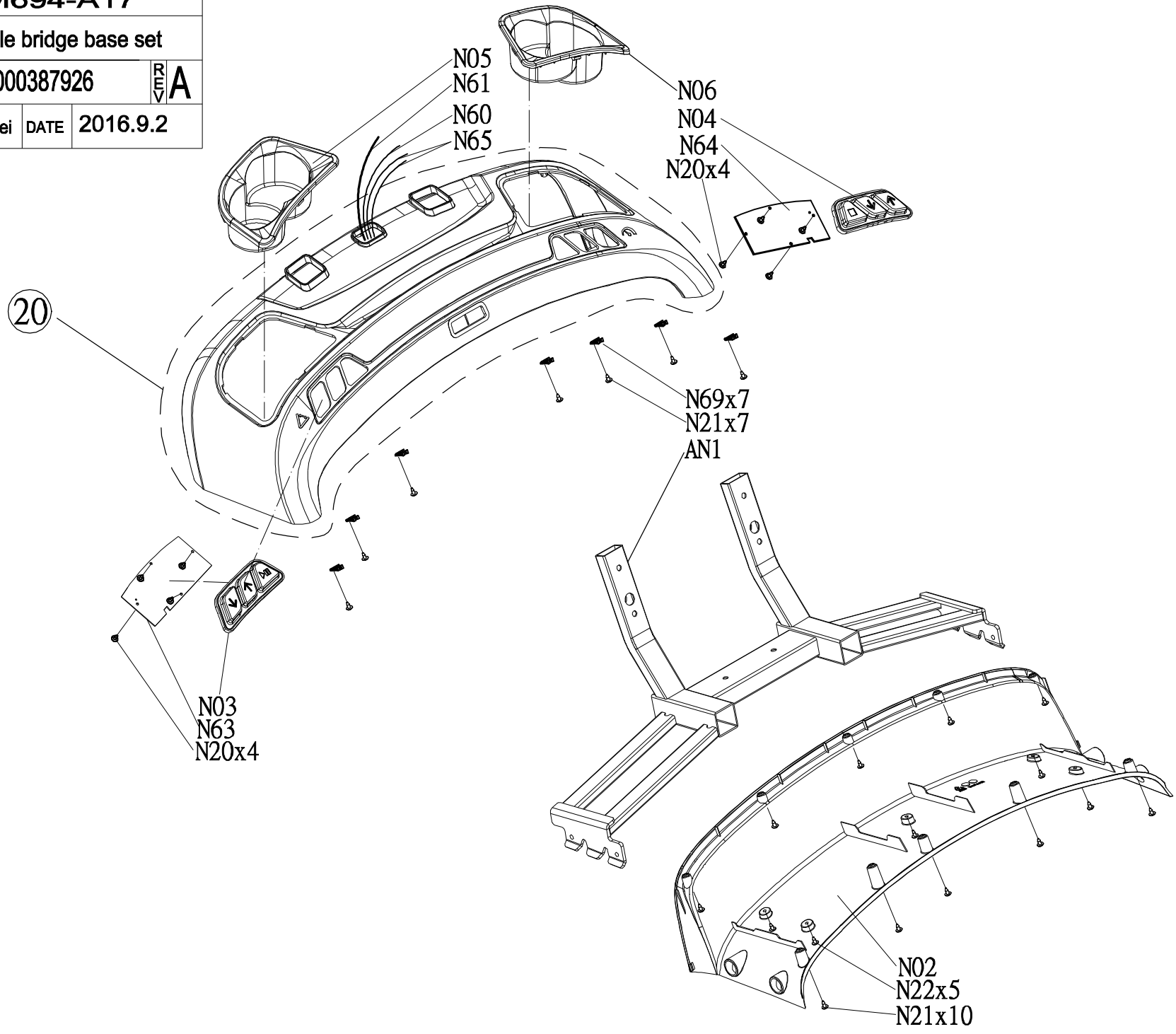


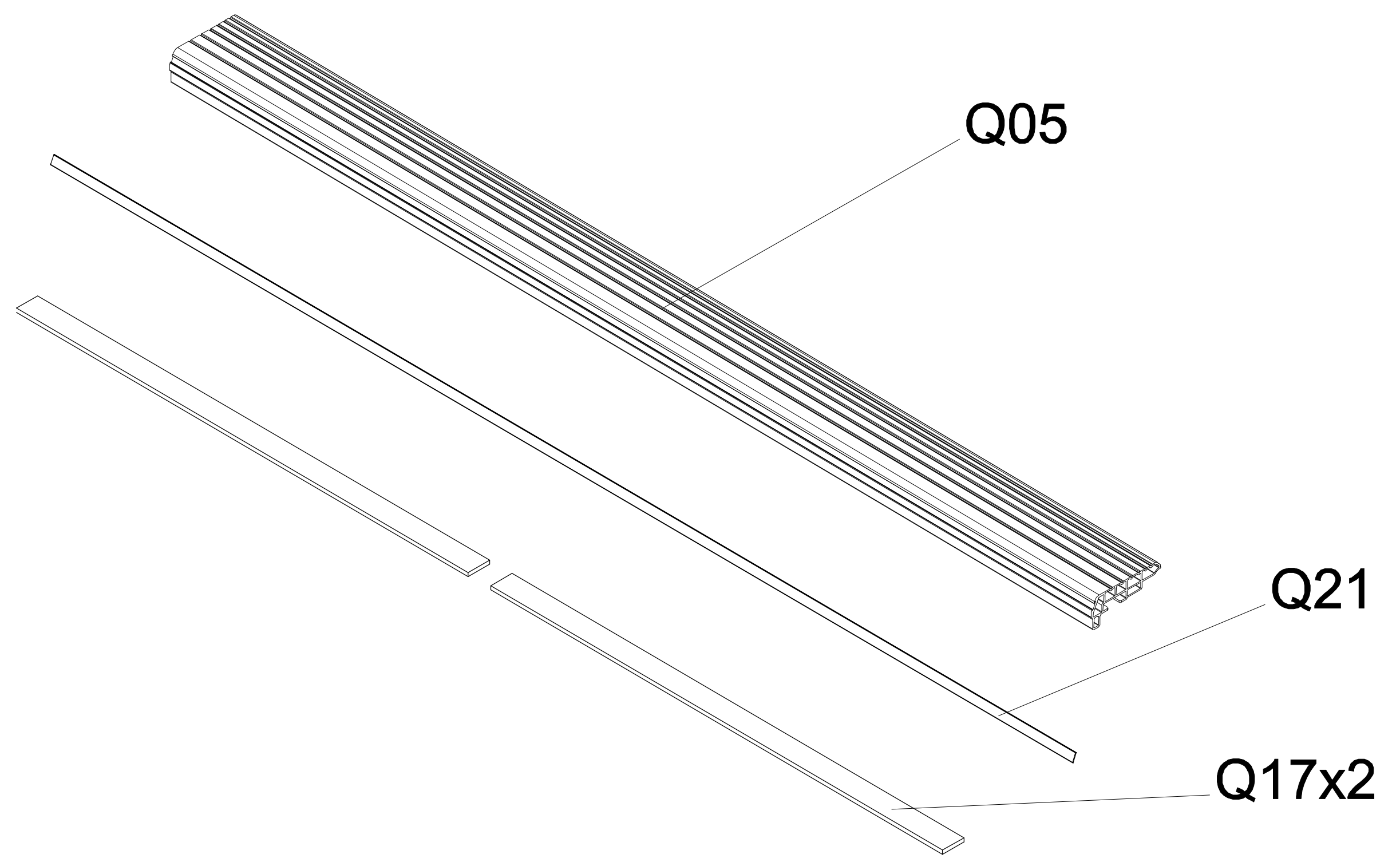
DRAWING NO	PTM703B-1US-F		
PART NAME	Explosive Rendering		
PART NO	MTM0923-00	REV	A
APPROVE	Harvey	DATE	2017.03.06



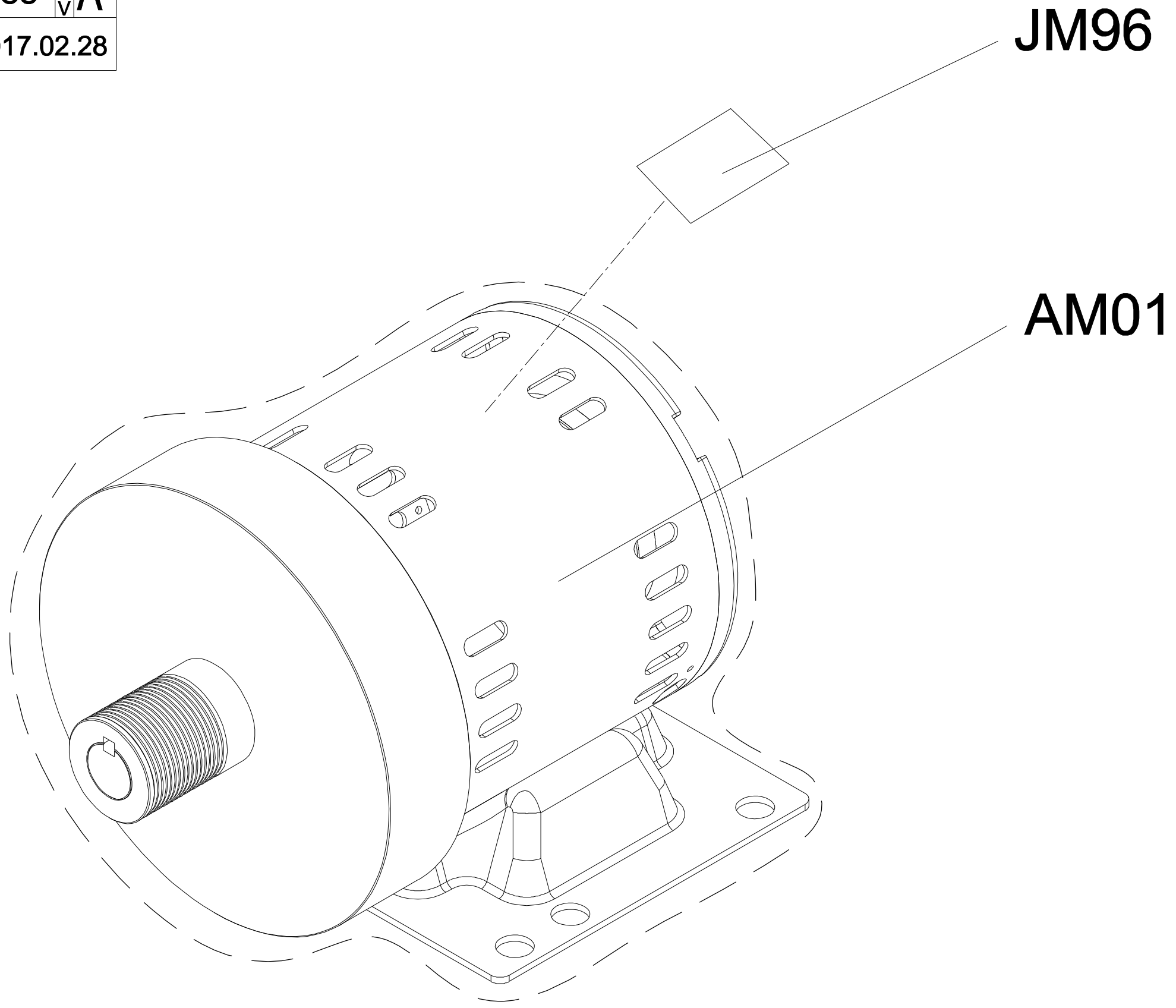
DRAWING NO	TM694-A17		
PART NAME	Console bridge base set		
PART NO	1000387926	REV	A
APPROVE	Xiongjiawei	DATE	2016.9.2



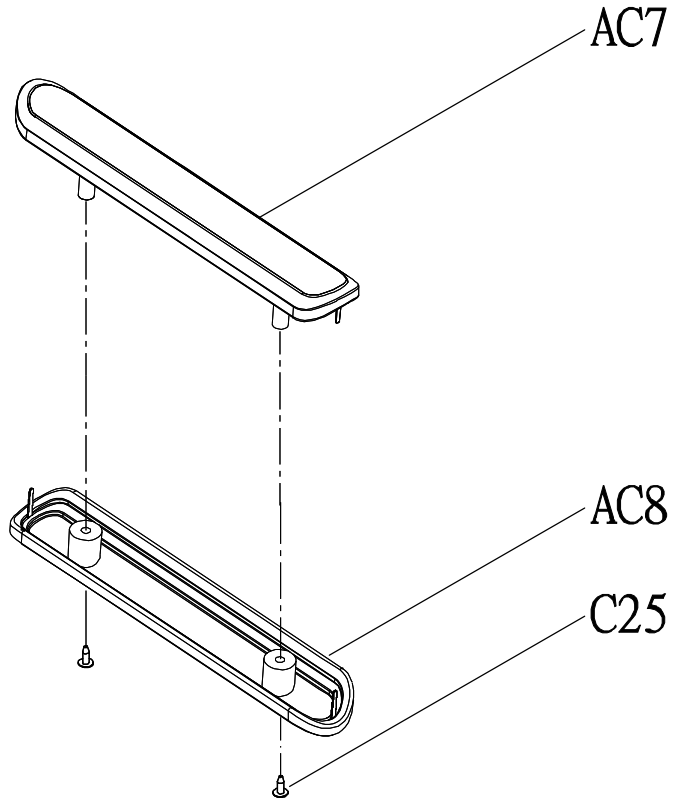
DRAWING NO	TM703-A12		
PART NAME	Side rail set		
PART NO	1000389182	REV	A
APPROVE	Harvey	DATE	2017.02.28



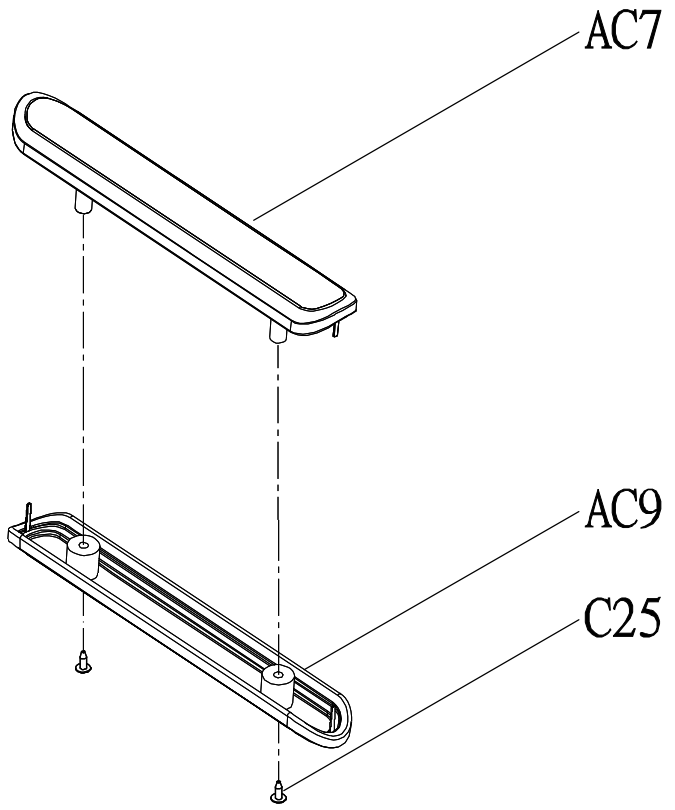
DRAWING NO	TM703-A11		
PART NAME	Motor set		
PART NO	1000389183	REV	A
APPROVE	Harvey	DATE	2017.02.28



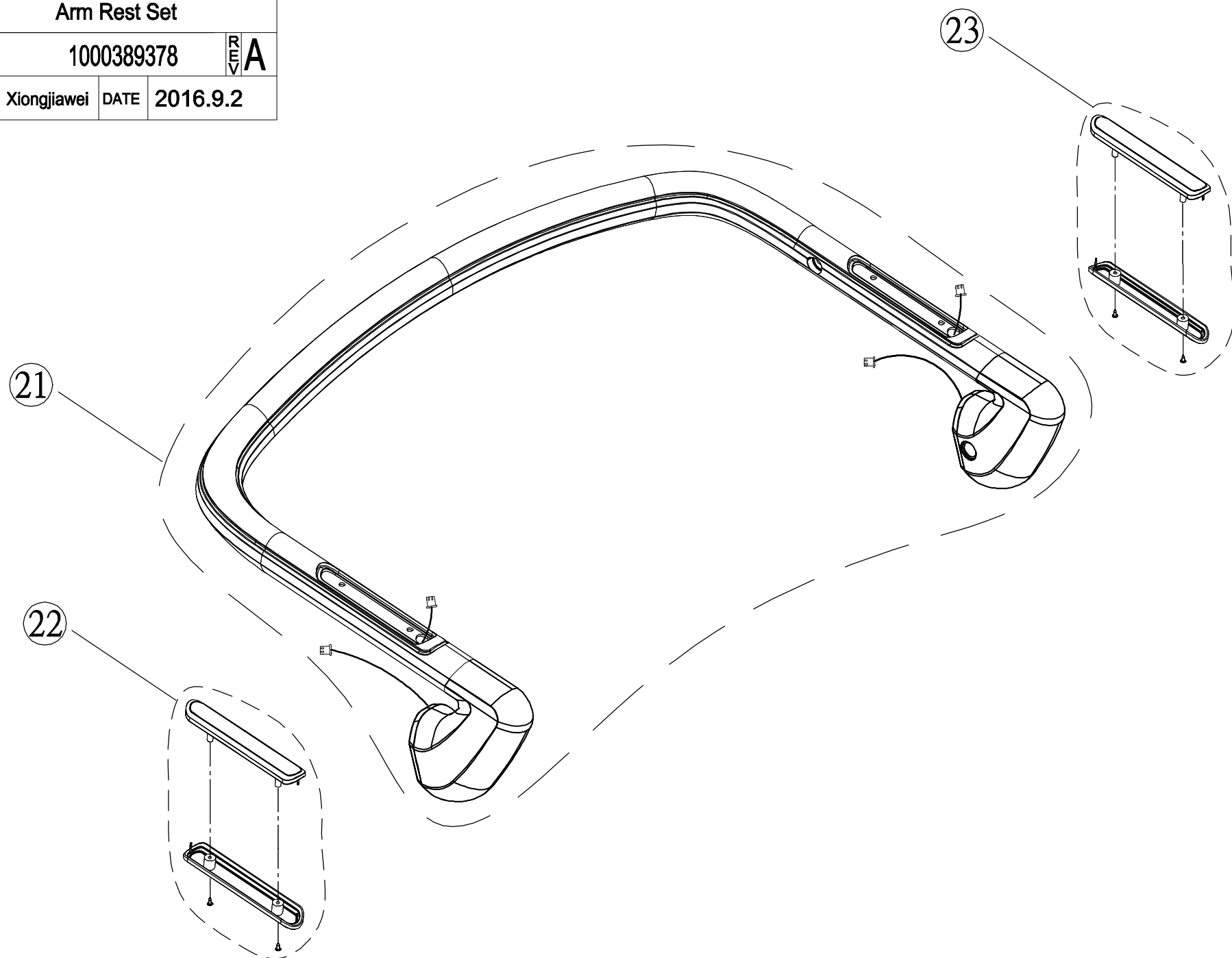
DRAWING NO	TM694-A21		
PART NAME	Pulse sensor set		
PART NO	1000389376	REV	A
APPROVE	Xiongjiawei	DATE	2016.9.2



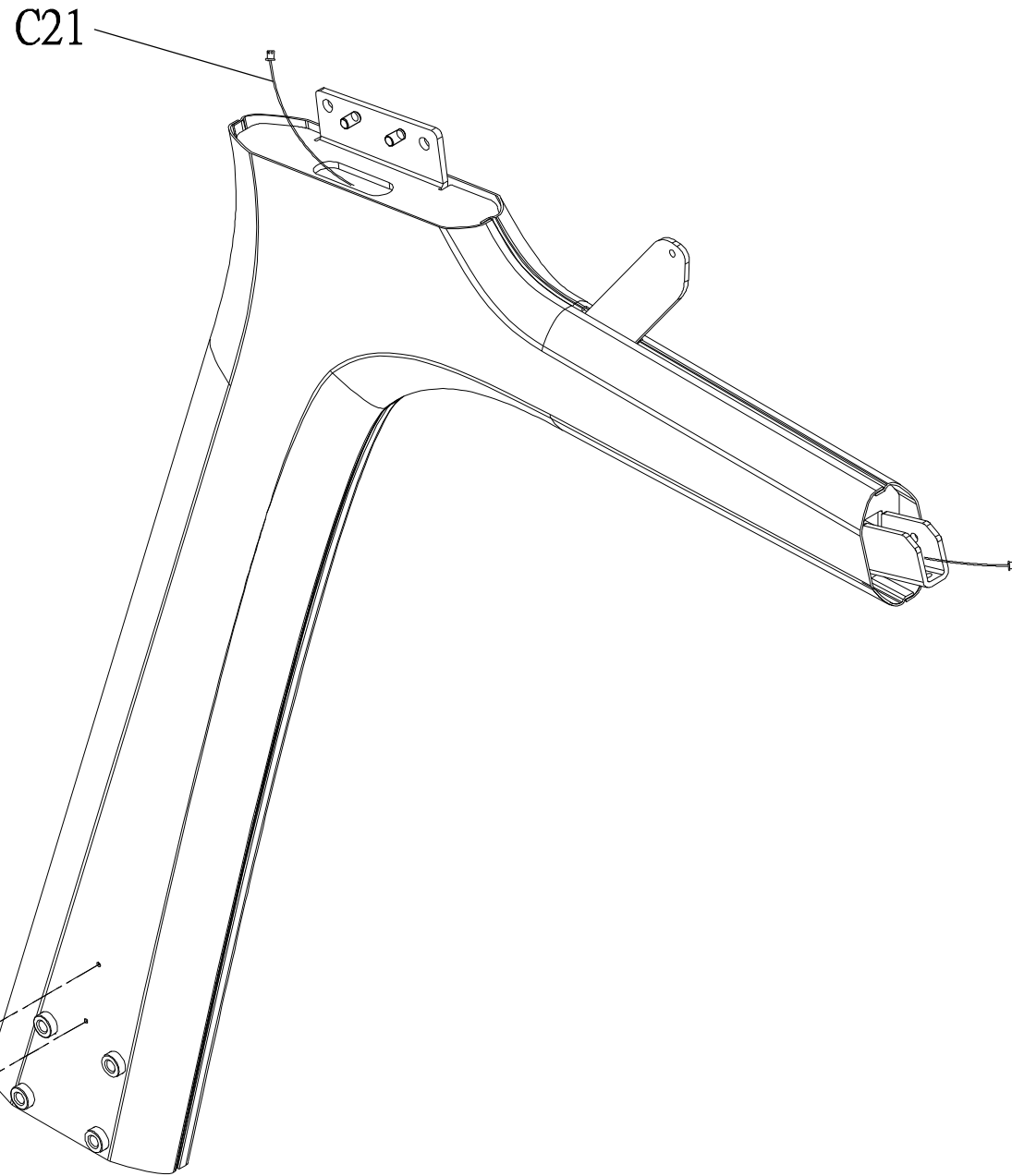
DRAWING NO	TM694-A22		
PART NAME	Pulse sensor set		
PART NO	1000389377	REV	A
APPROVE	Xiongjiawei	DATE	2016.9.2



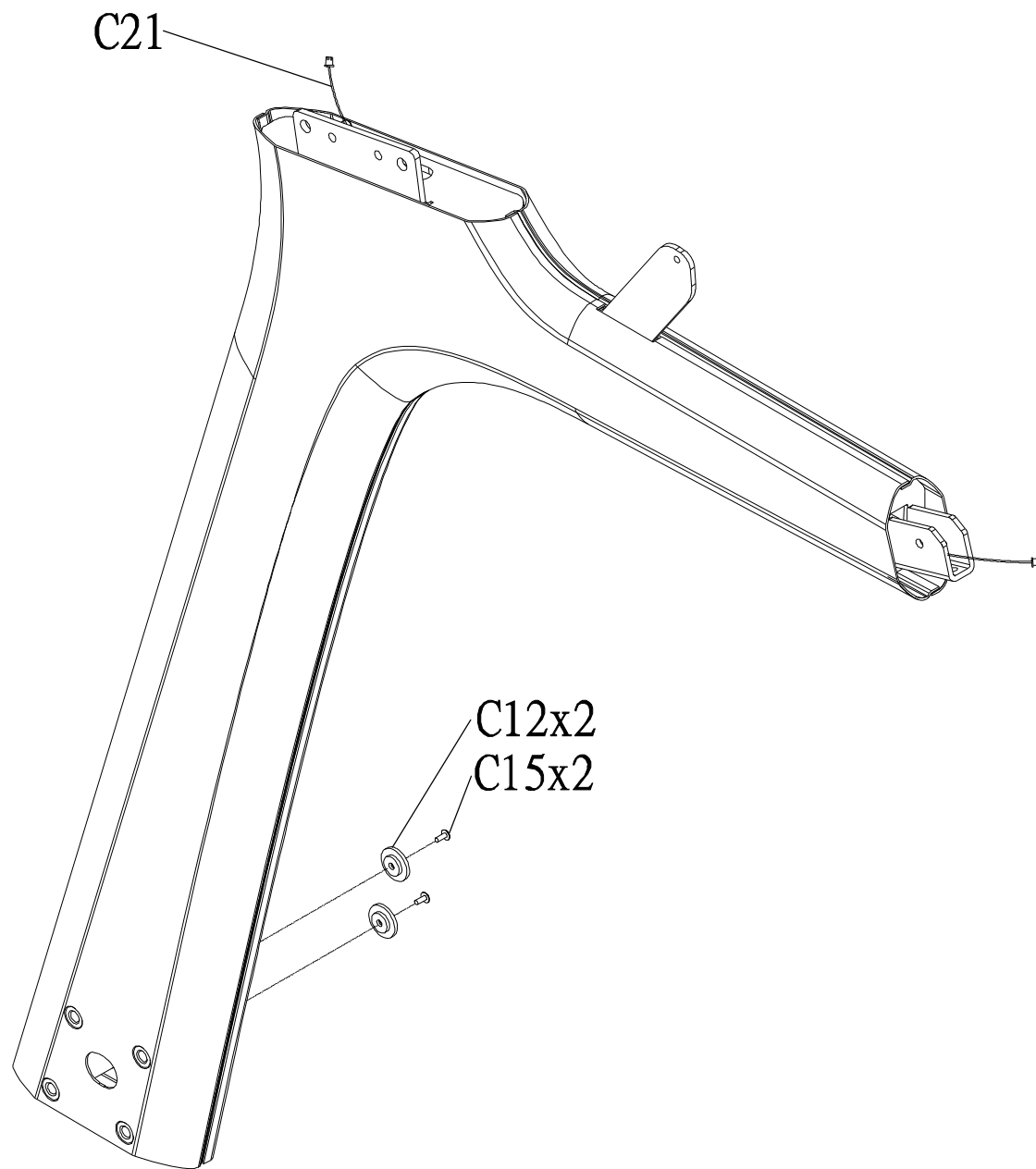
DRAWING NO	TM694-A23		
PART NAME	Arm Rest Set		
PART NO	1000389378	REV	A
APPROVE	Xiongjiawei	DATE	2016.9.2



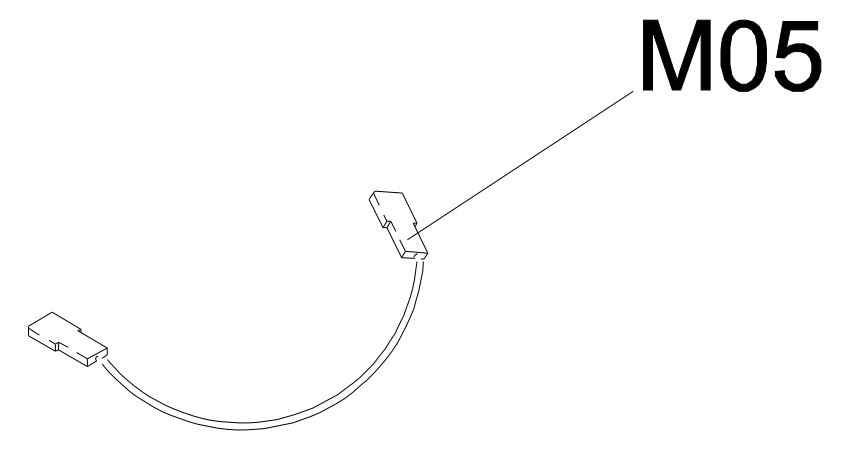
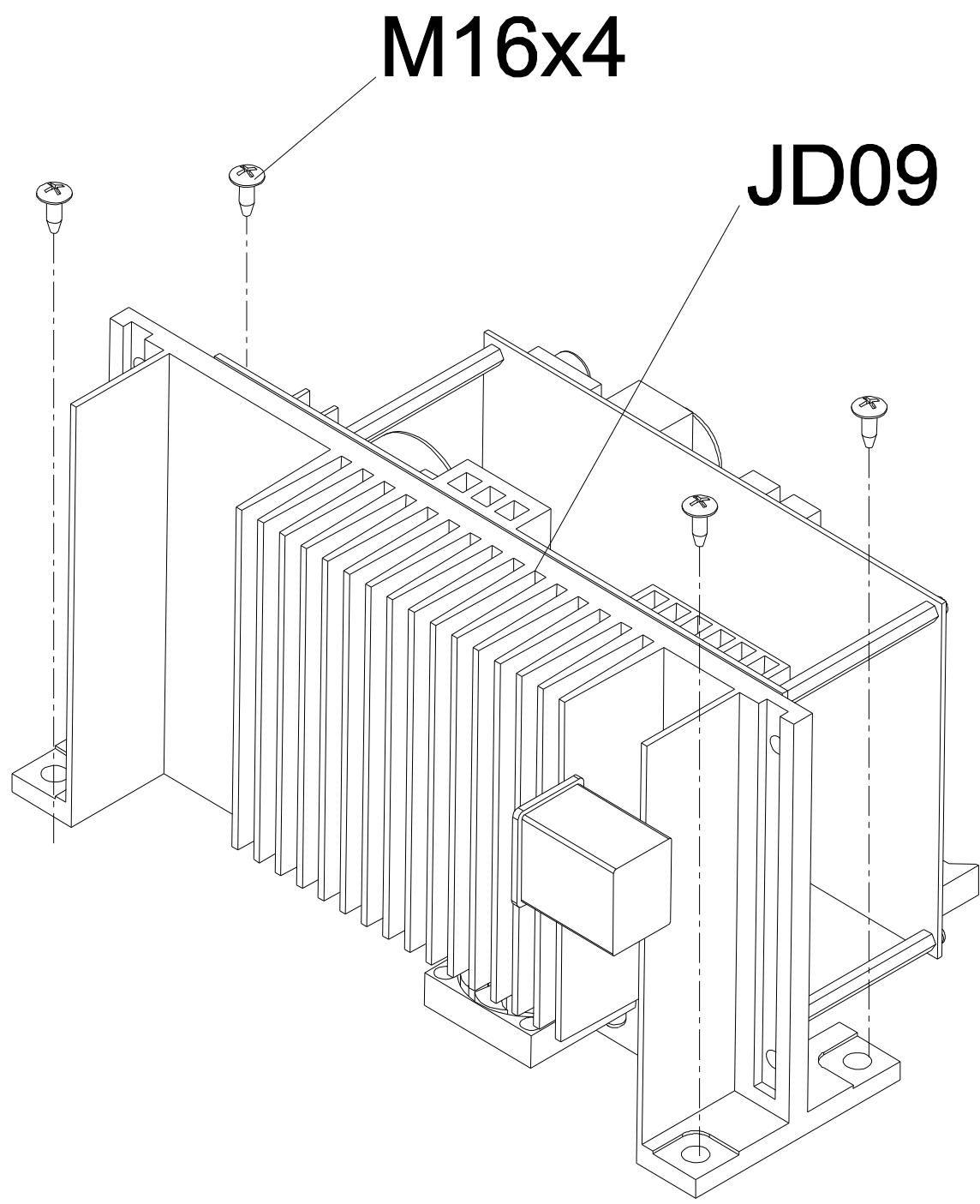
DRAWING NO	TM695-A19		
PART NAME	Console mast set		
PART NO	1000389671	REV	A
APPROVE	Xiongjiawei	DATE	2016.9.13



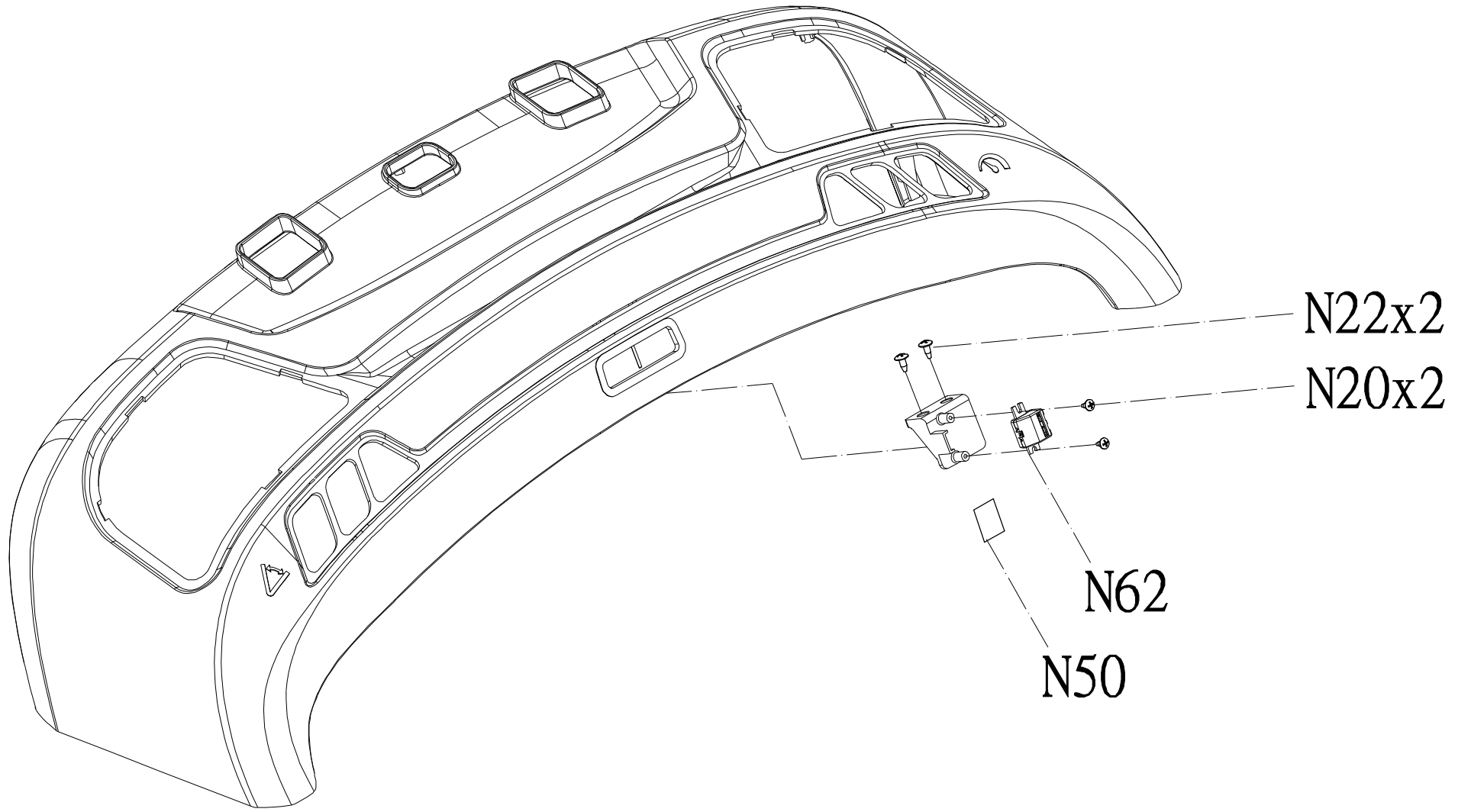
DRAWING NO	TM695-A20		
PART NAME	Console mast set		
PART NO	1000389672		REV A
APPROVE	Xiongjiawei	DATE	2016.9.13



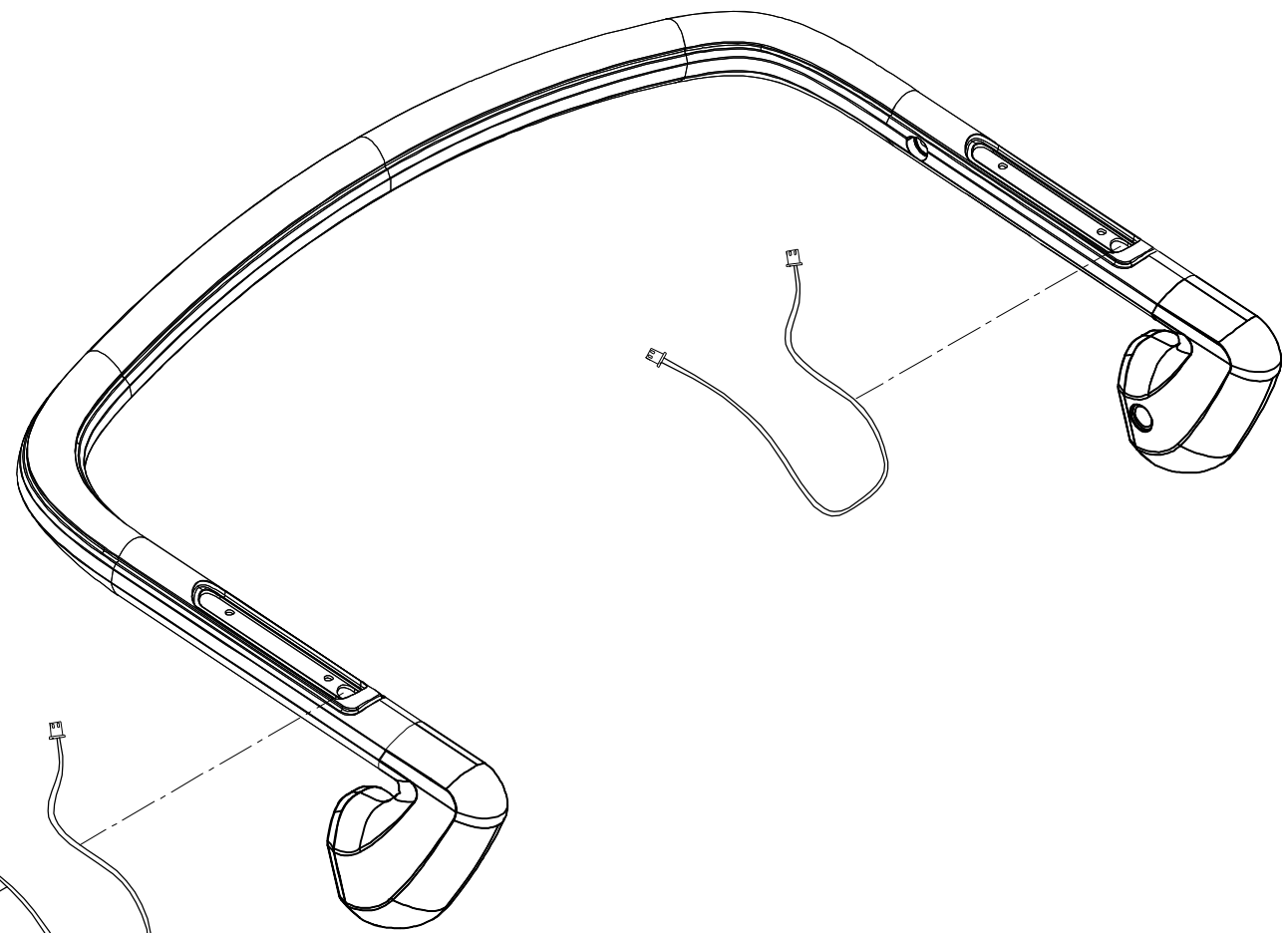
DRAWING NO	TM703-A14		
PART NAME	LCB SET		
PART NO	1000390399	REV	A
APPROVE	Xiongjiawei	DATE	2016.08.18



DRAWING NO	TM694-A32		
PART NAME	Console bridge plastic set		
PART NO	1000393906	REV	A
APPROVE	WANGYONG	DATE	2017.12.11

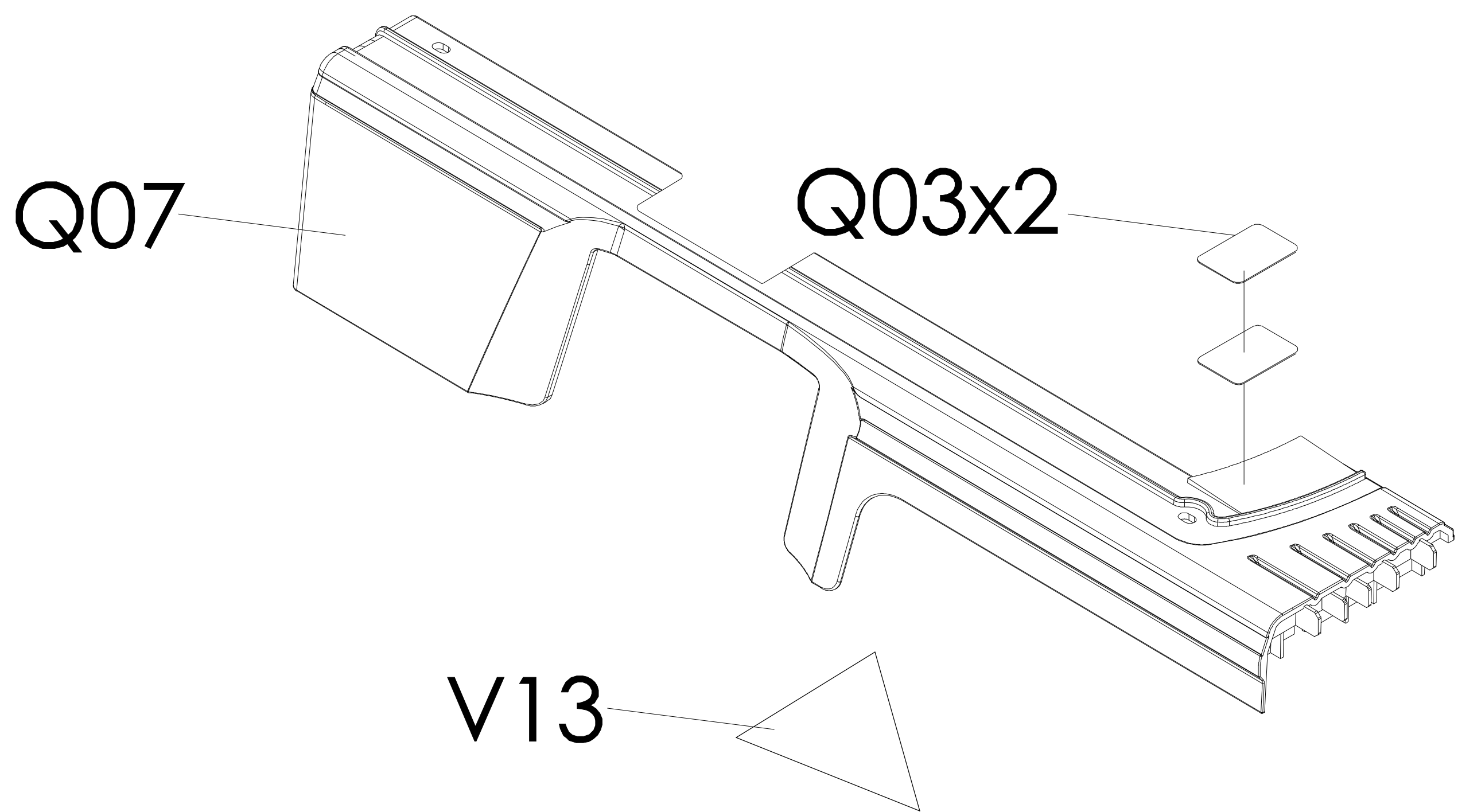


DRAWING NO	TM694-A25		
PART NAME	Arm Rest set		
PART NO	1000394170	REV	A
APPROVE	Xiongjiawei	DATE	2016.9.2

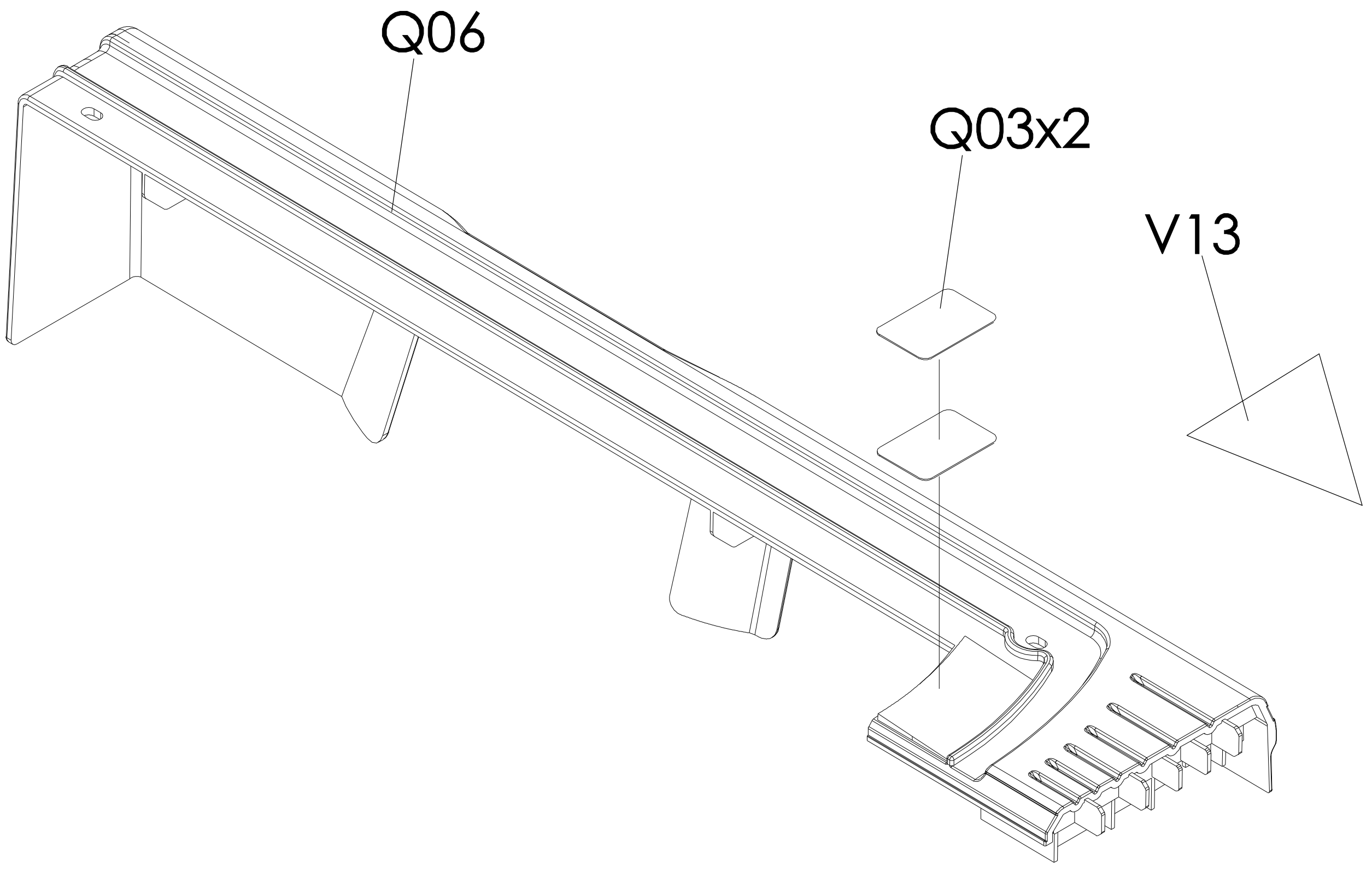


C22x2

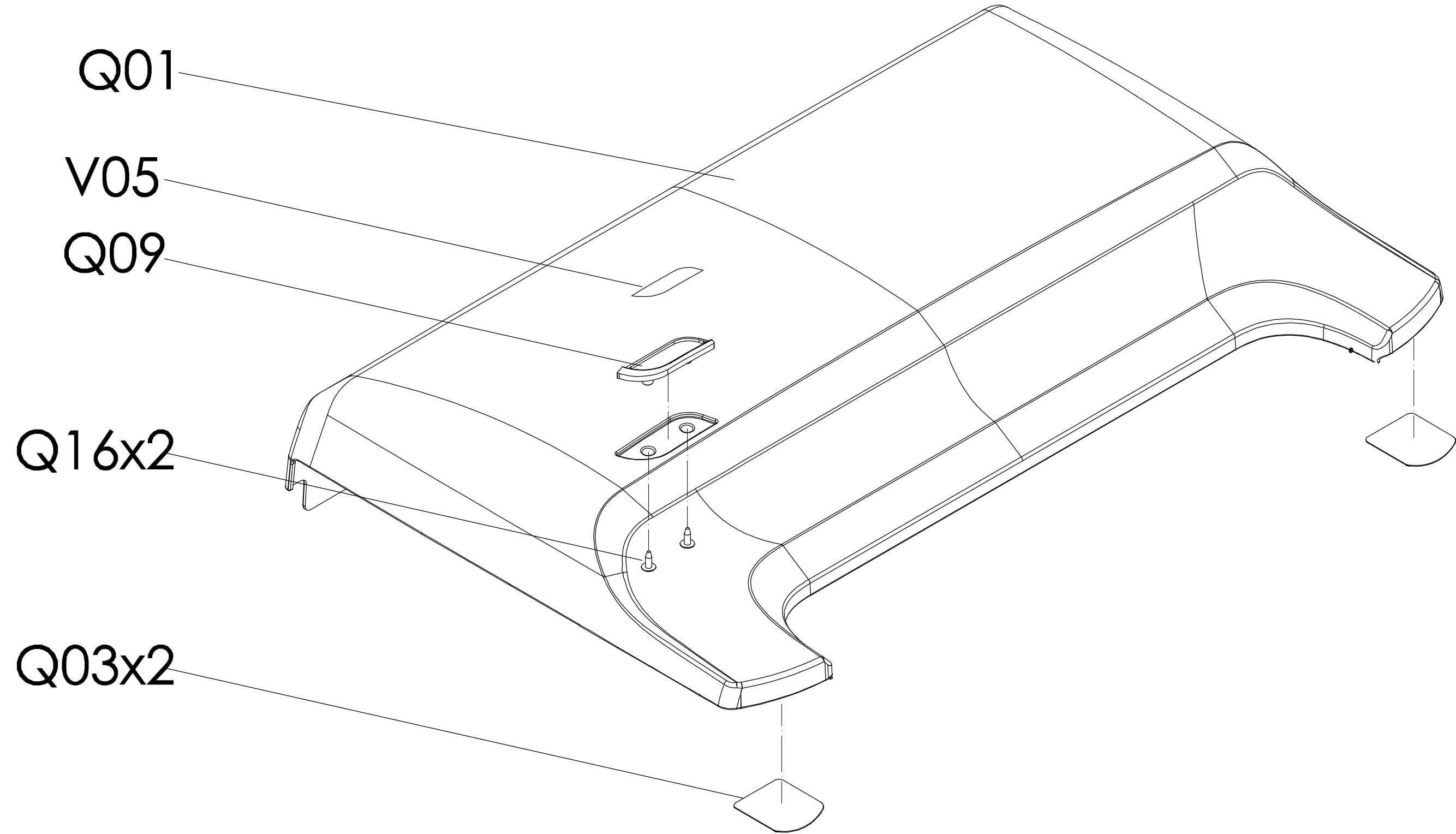
DRAWING NO	TM703-A26		
PART NAME	Front cover;L		
PART NO	1000406258	REV	A
APPROVE	Xiaokaicong	DATE	2017.02.20



DRAWING NO	TM703-A27		
PART NAME	Front cover;R		
PART NO	1000406263	REV	A
APPROVE	Xiaokaicong	DATE	2017.02.20



DRAWING NO	TM703B-A25		
PART NAME	Motor cover set		
PART NO	1000406814	REV	A
APPROVE	Harvey	DATE	2017.03.06



Q01

V05

Q09

Q16x2

Q03x2