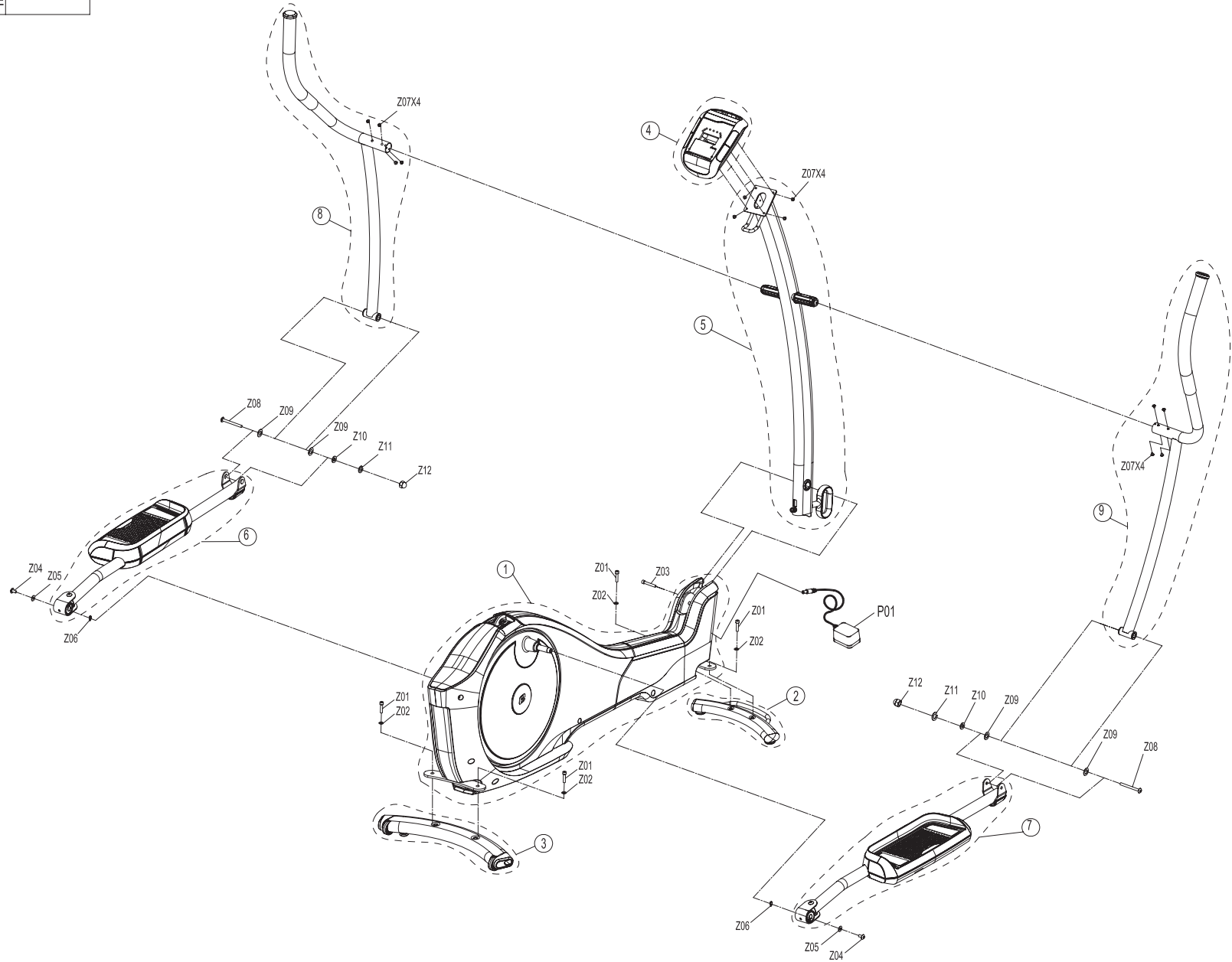
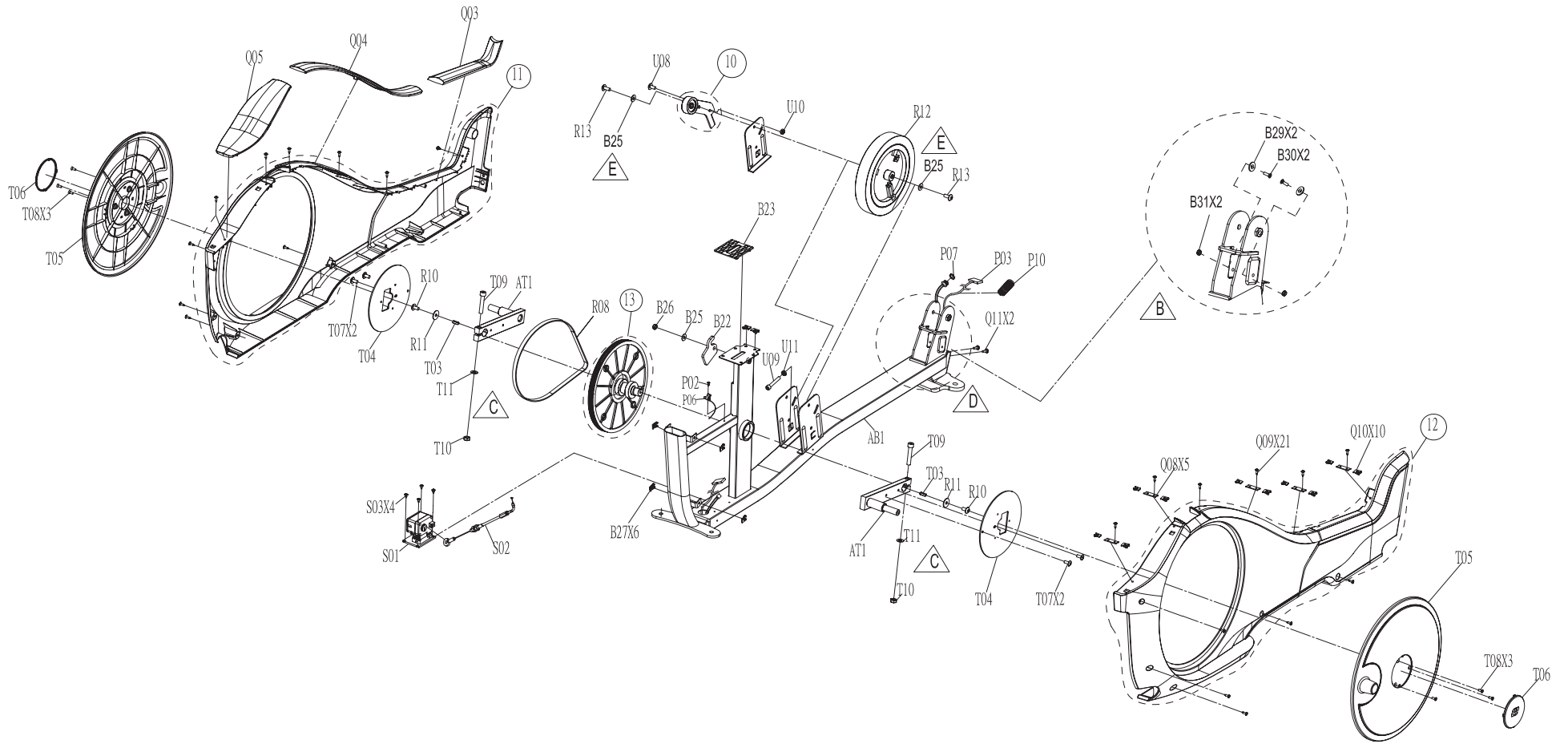


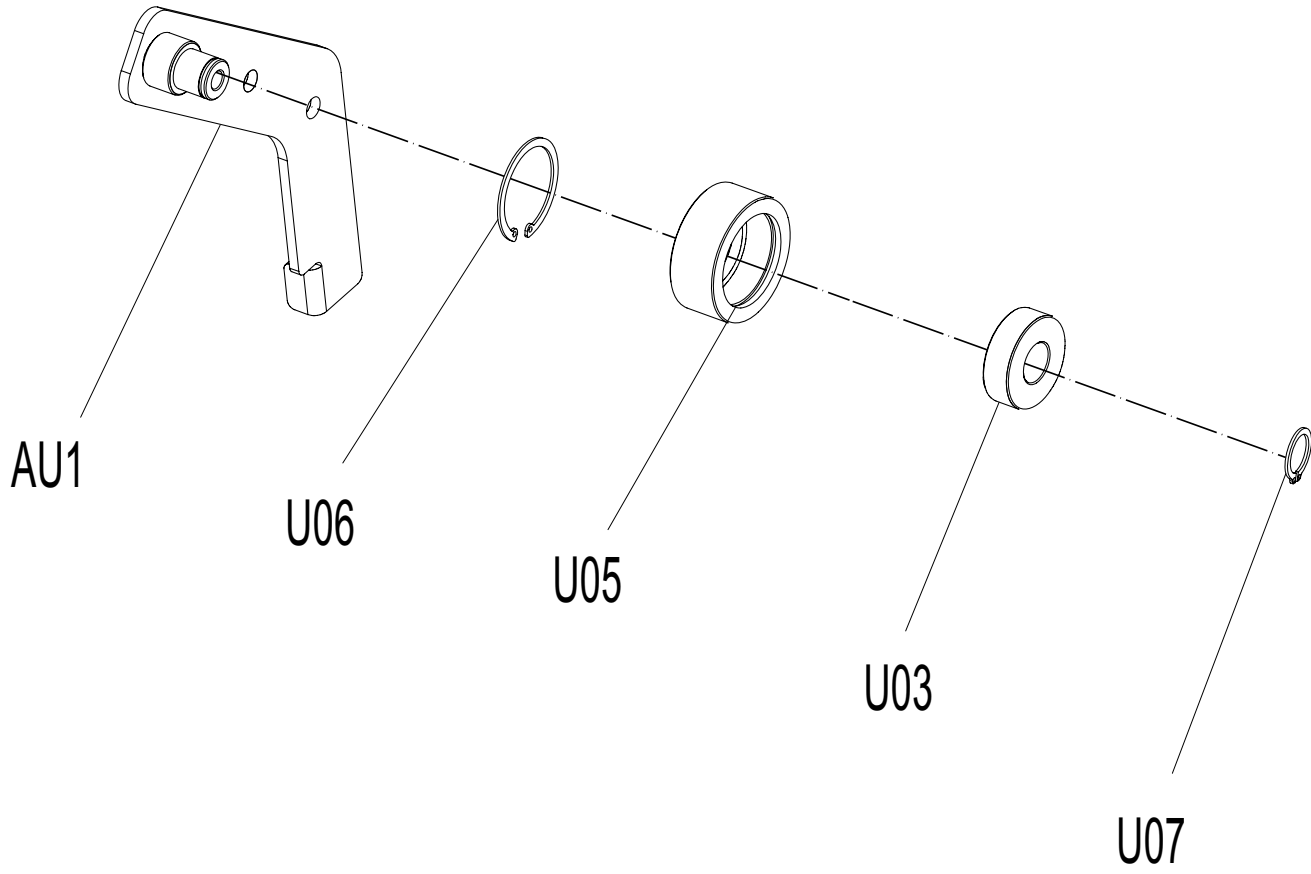
DRAWING NO	EP549-1US		
PART NAME	Service Combination Drawing		
PART NO	HEP0352-00	REV	A
APPROVE	DATE		



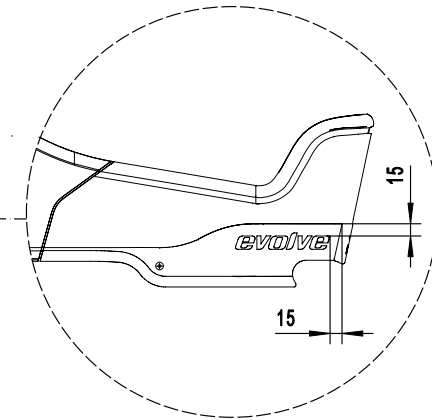
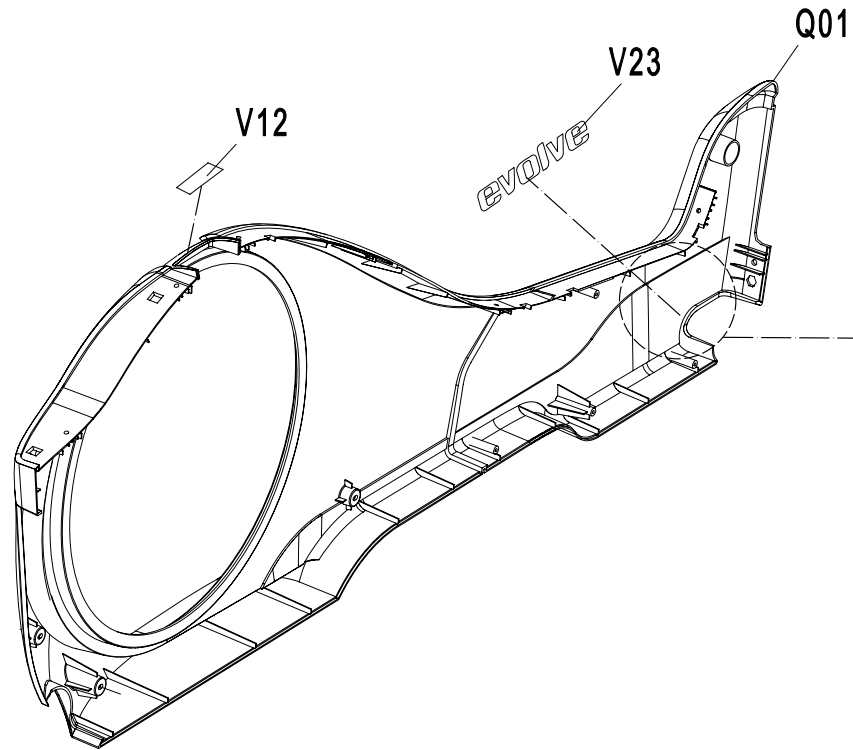
DRAWING NO	EP549-A11		
PART NAME	FRAME SET		
PART NO	1000205935	REV	E
APPROVE	DATE		



DRAWING NO	EP549-A20		
PART NAME	TENSION WHEEL SET		
PART NO	1000206013	REV	B
APPROVE		DATE	



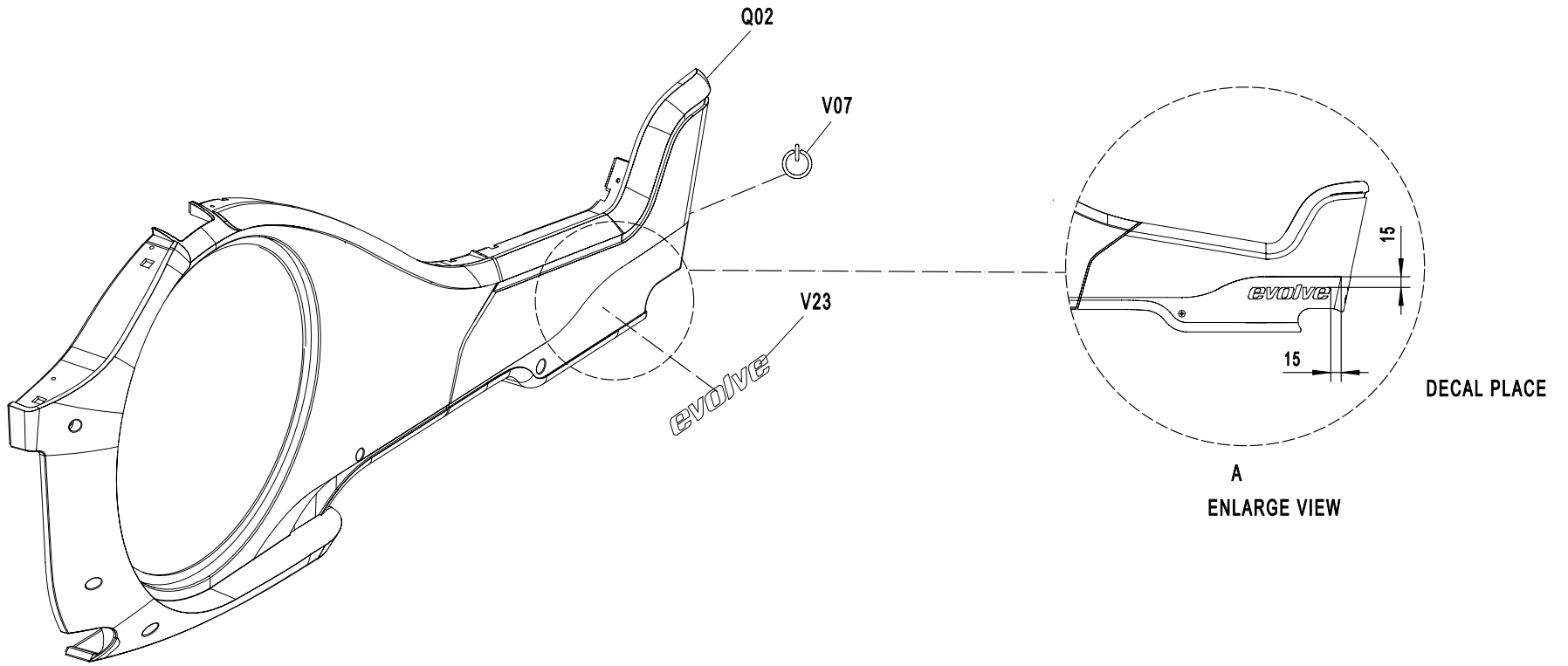
DRAWING NO	EP549-A21	
PART NAME	LEFT SIDE COVER SET	
PART NO	1000216879	REV A
APPROVE	DATE	



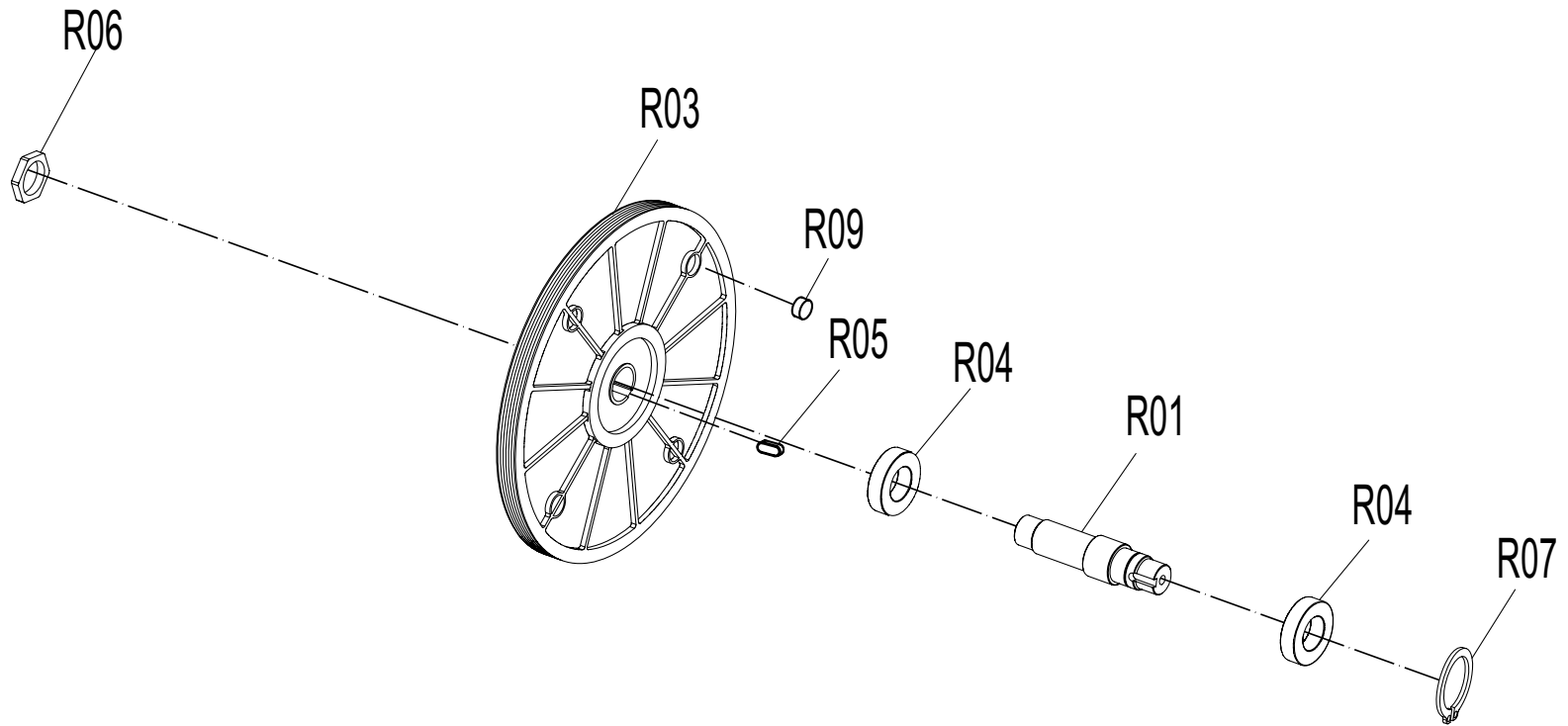
DECAL PLACE

A
ENLARGE VIEW

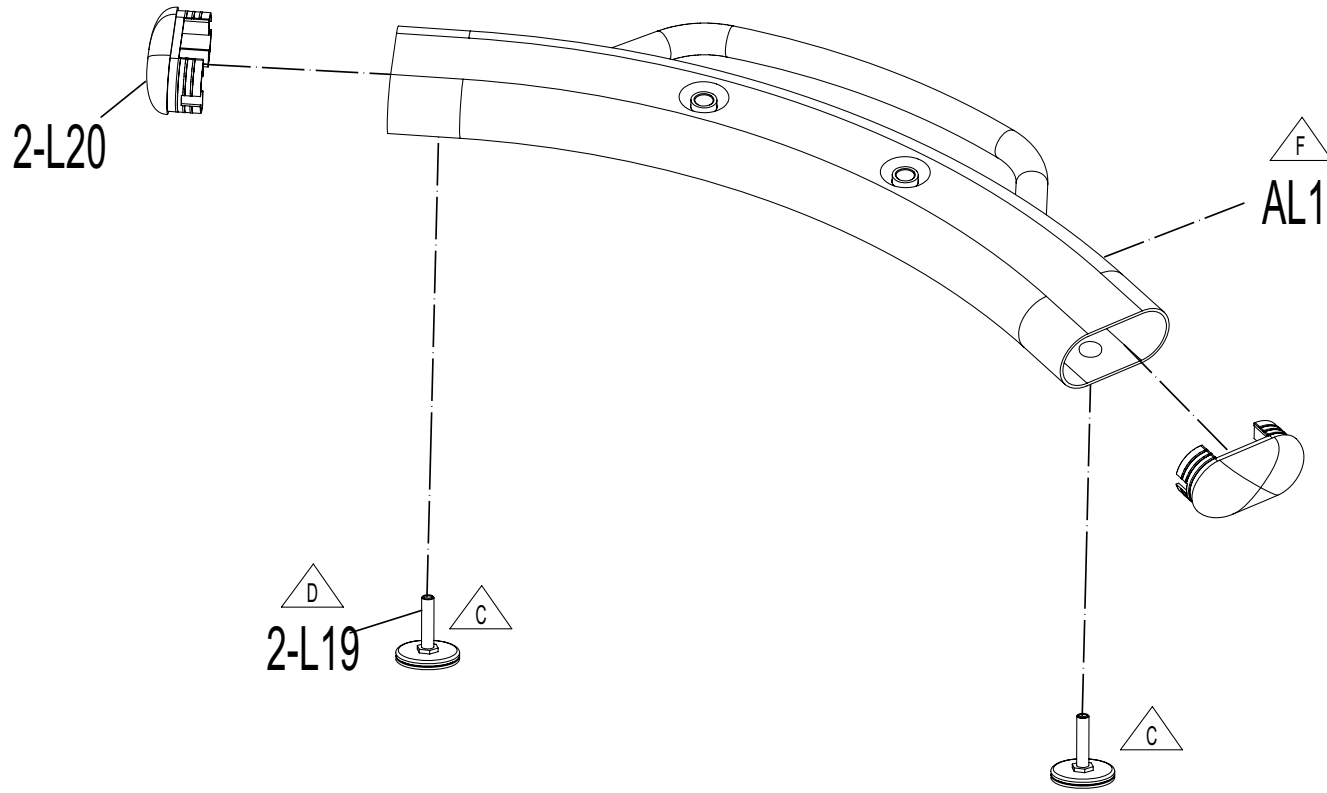
DRAWING NO	EP549-A22		
PART NAME	RIGHT SIDE COVER SET		
PART NO	1000216880	REV	A
APPROVE		DATE	



DRAWING NO	EP549-A23		
PART NAME	DRIVE AXLE SET		
PART NO	1000206036	REV	B
APPROVE	DATE		

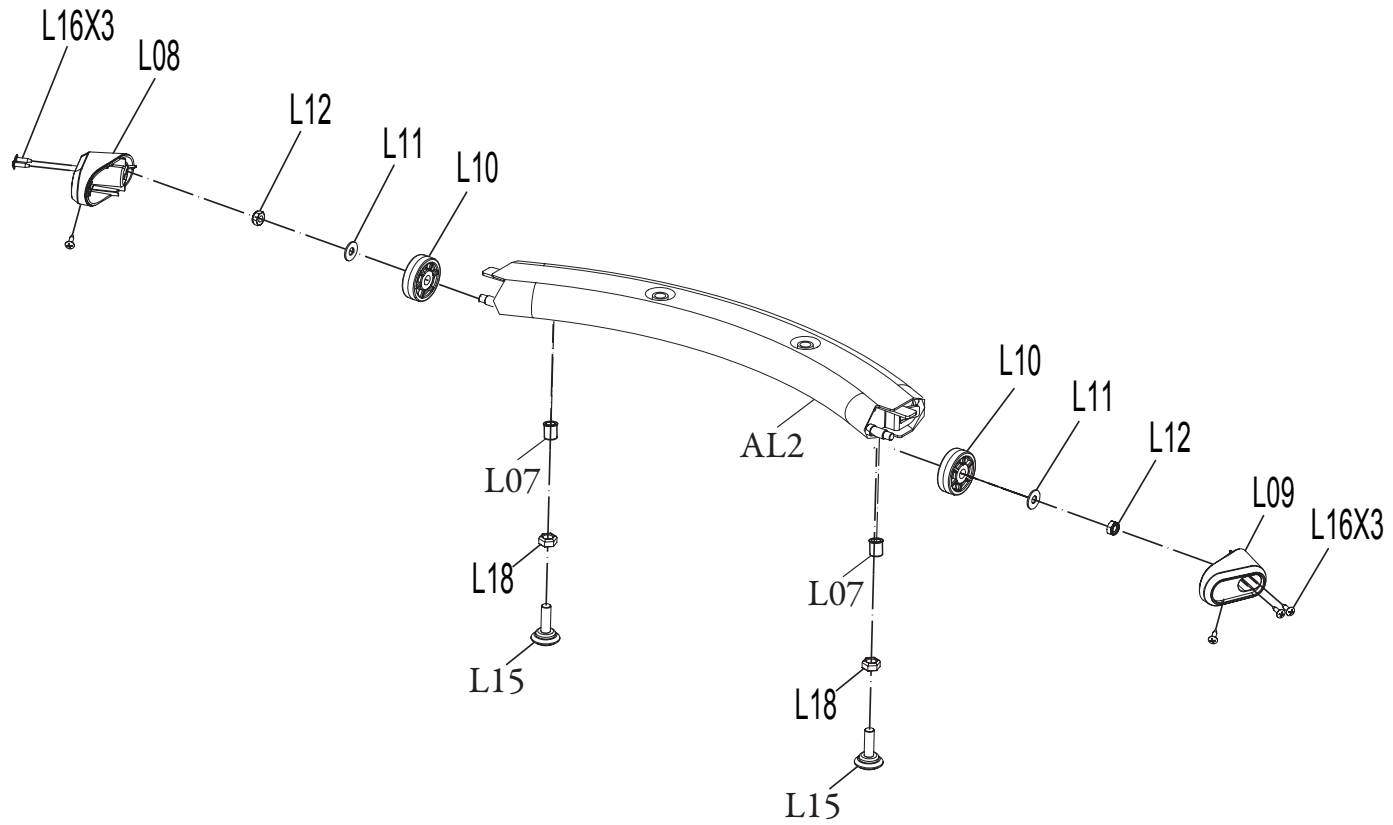


DRAWING NO	EP549-A12		
PART NAME	FRONT STABILIZER SET		
PART NO	1000216290	REV	F
APPROVE		DATE	

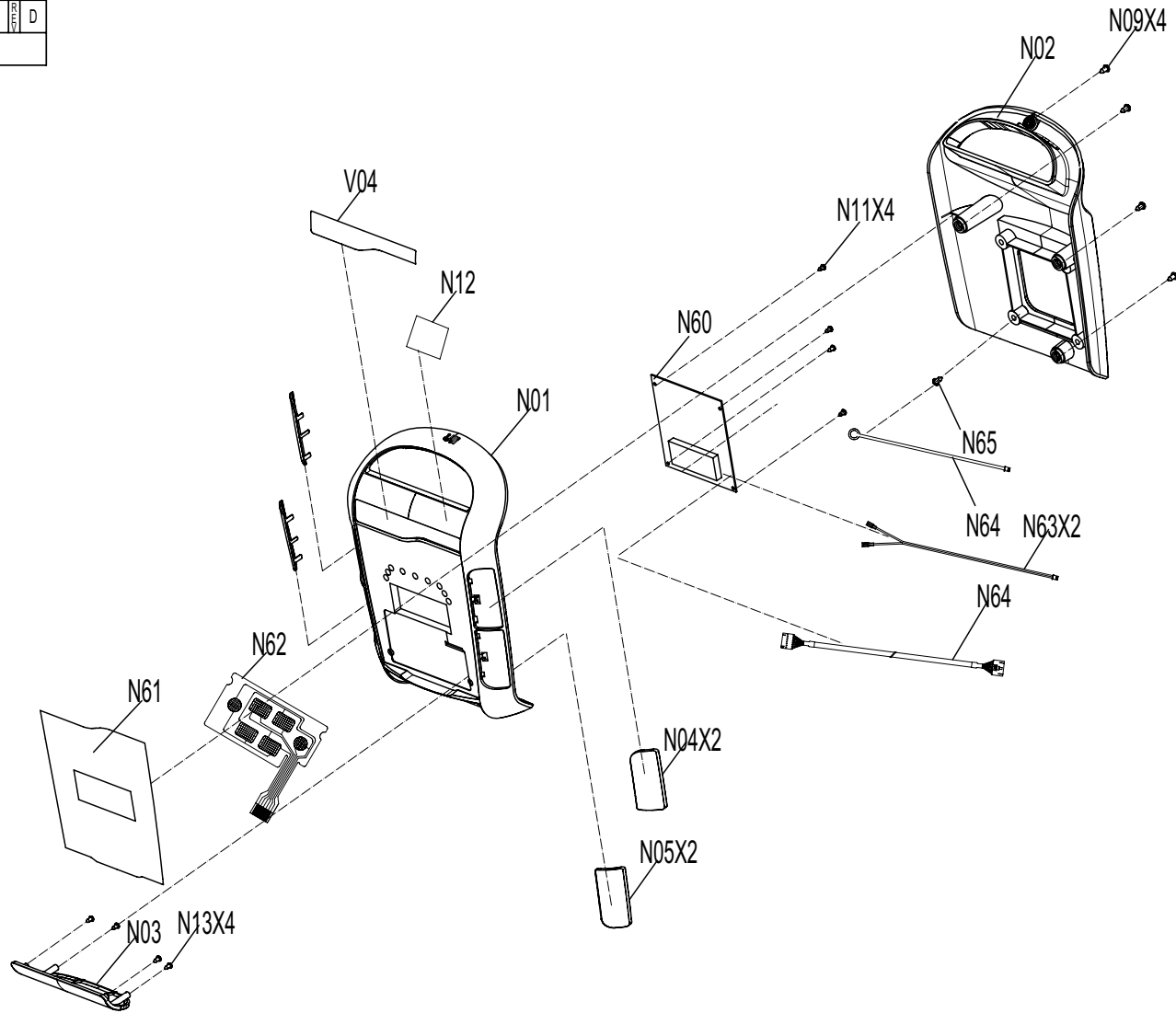


DRAWING NO	EP549-A13	
PART NAME	REAR STABILIZER SET	
PART NO	1000209453	REV C
APPROVE	DATE	

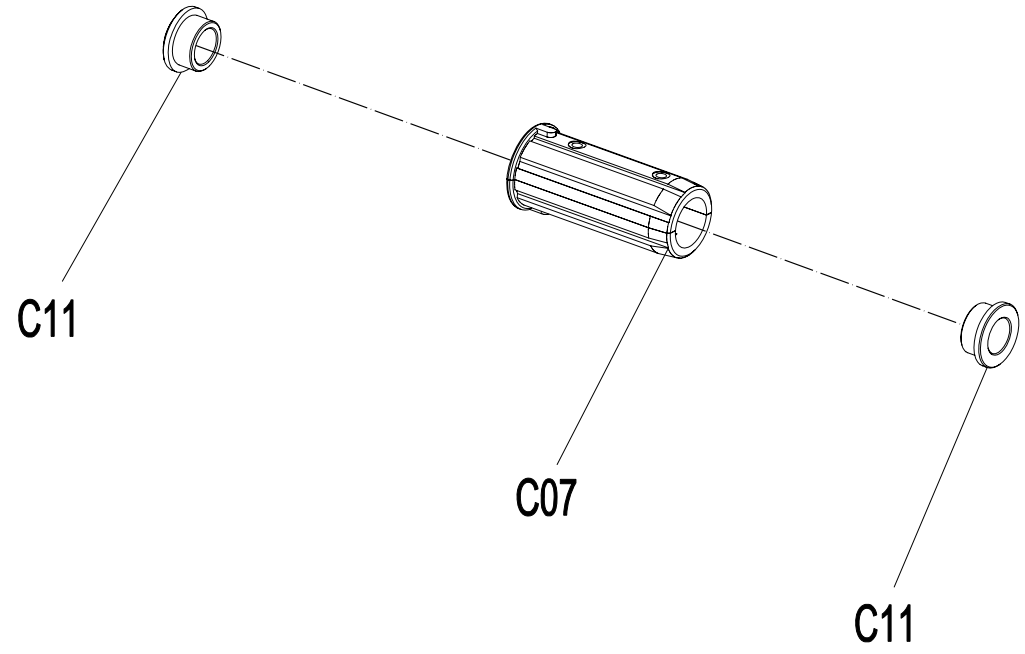
NUMBER	DRAWING NO	PART NO
15	EP549-A25	1000217062



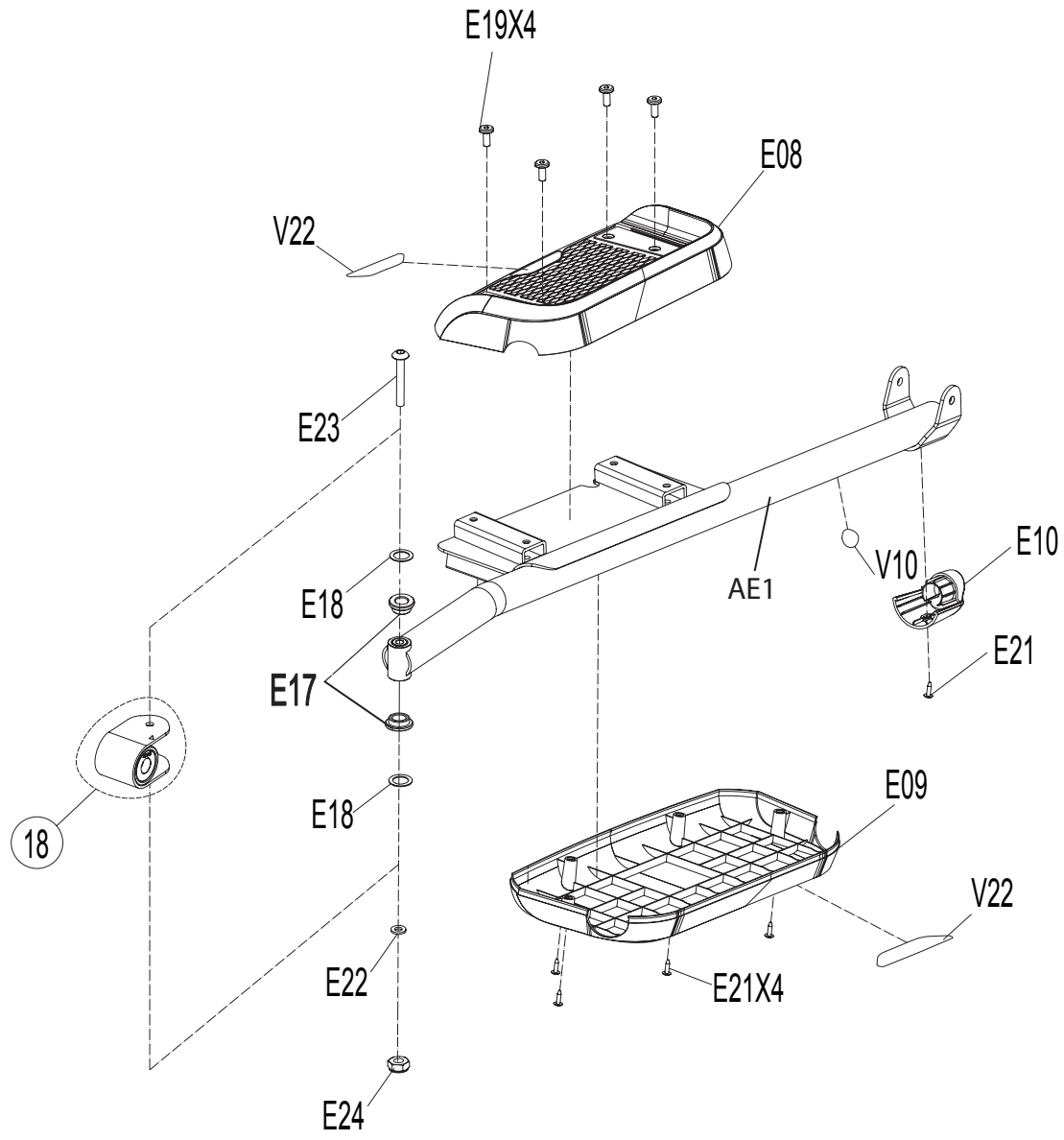
DRAWING NO	EP549-A14		
PART NAME	CONSOLE SET		
PART NO	1000206019	<input type="checkbox"/>	D
APPROVE	<input type="checkbox"/>	DATE	



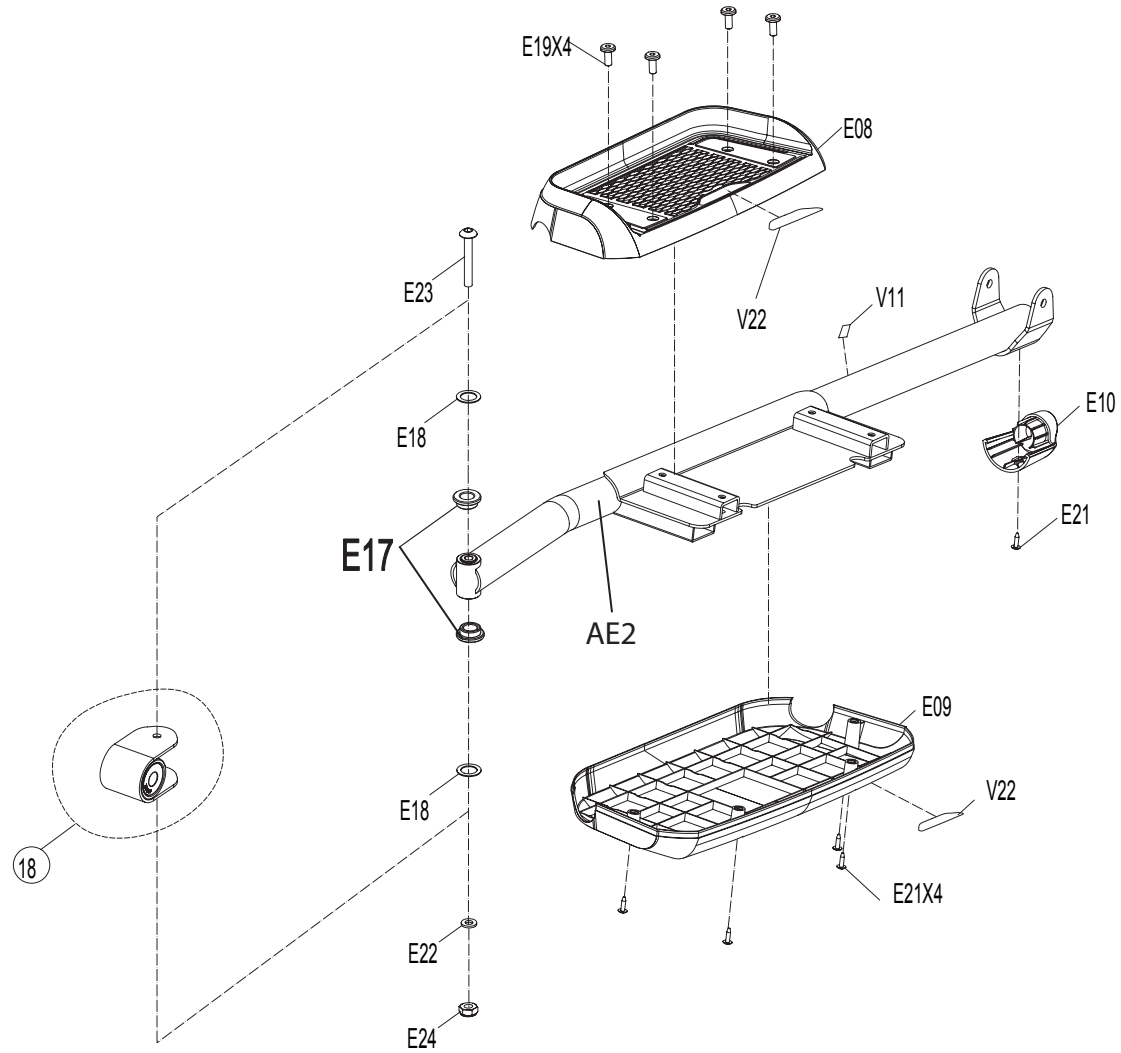
DRAWING NO	EP549-A26		
PART NAME	PLASTIC JACKET GROUP		
PART NO	1000216878	REV	A
APPROVE		DATE	



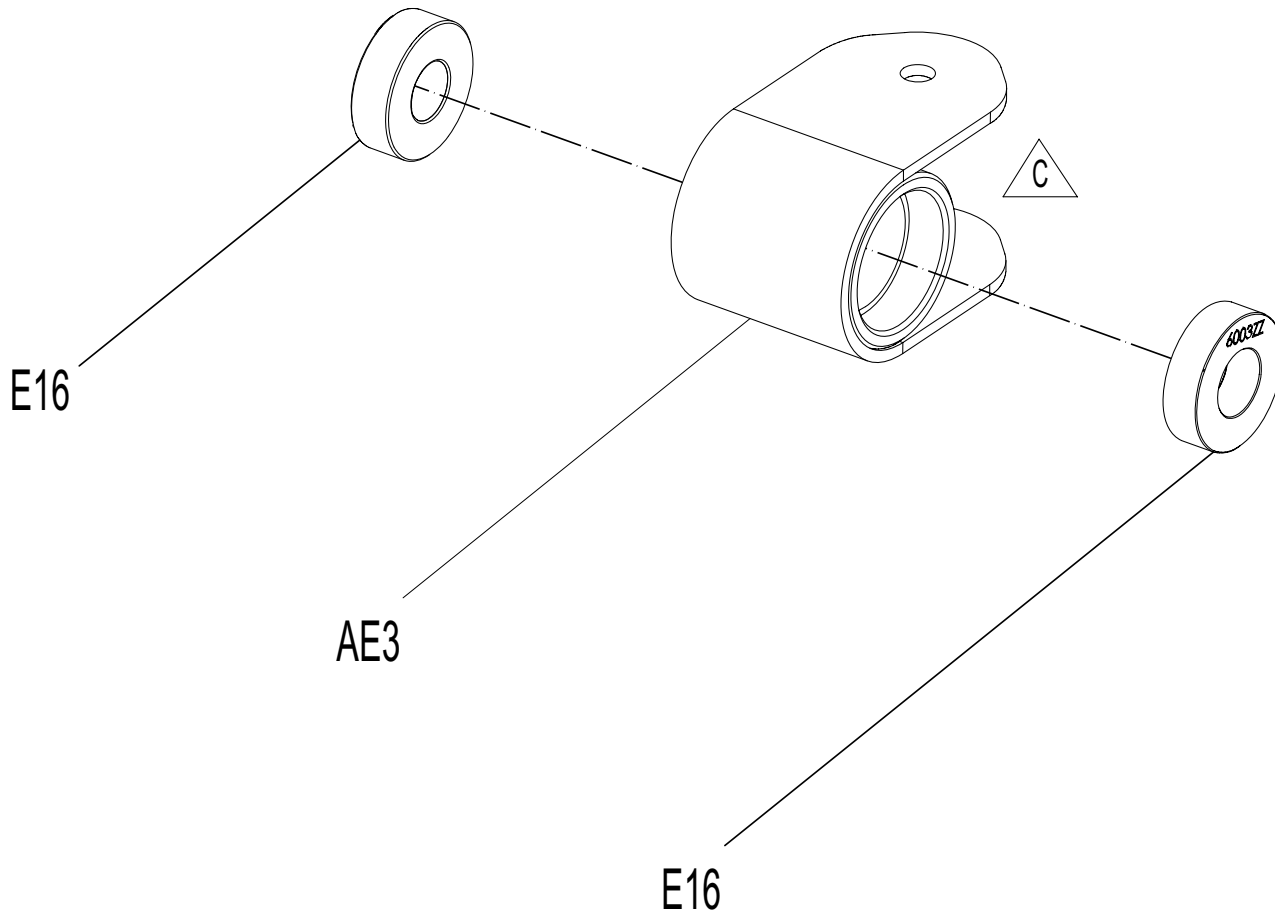
DRAWING NO	EP549-A16		
PART NAME	LEFT PEDAL ARM SET		
PART NO	1000205975	REV	D
APPROVE	DATE		



DRAWING NO	EP549-A17		
PART NAME	RIGHT PADAL ARM SET		
PART NO	1000205992	REV	E
APPROVE	DATE		

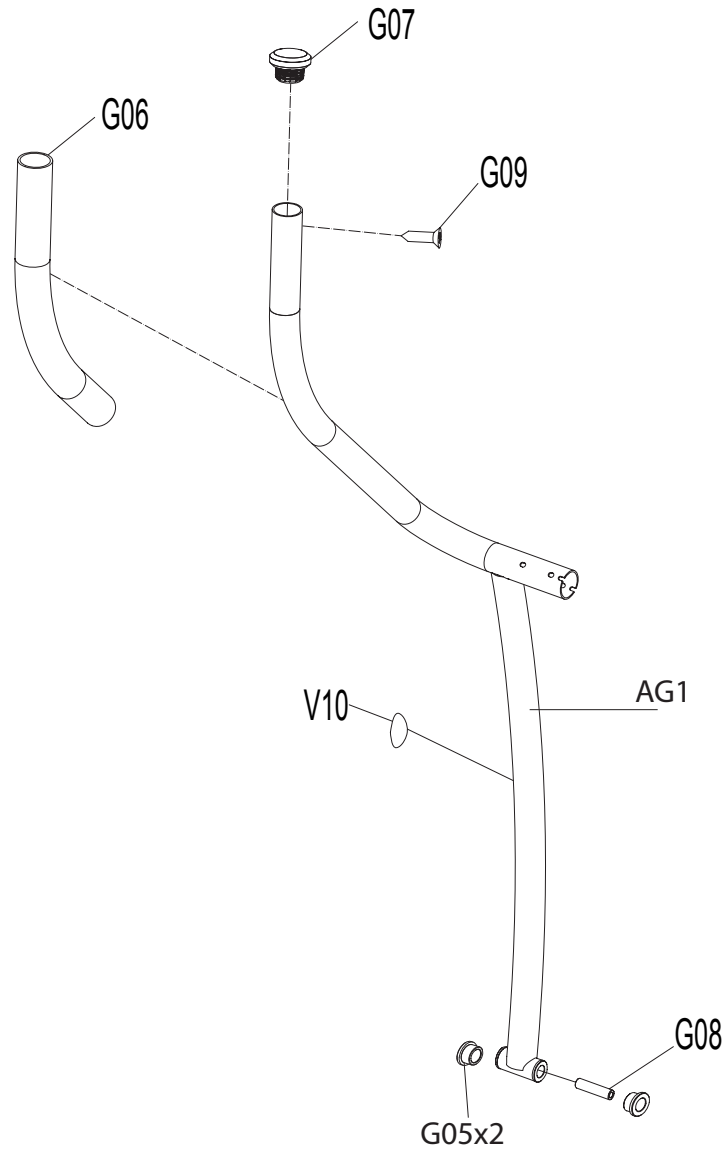


DRAWING NO	EP549-A28		
PART NAME	CRANK PIN SET		
PART NO	1000205983	REV	C
APPROVE		DATE	



DRAWING NO	EP549-A18		
PART NAME	LEFT HANDLEBAR SET		
PART NO	1000205996	REV	C
APPROVE	DATE		

NUMBER	DRAWING NO	PART NO
20	EP549-A30	1000217067



DRAWING NO	EP549-A19		
PART NAME	RIGHT HANDLEBAR SET		
PART NO	1000206002	REV	C
APPROVE		DATE	

NUMBER	DRAWING NO	PART NO
21	EP549-A31	1000217068

