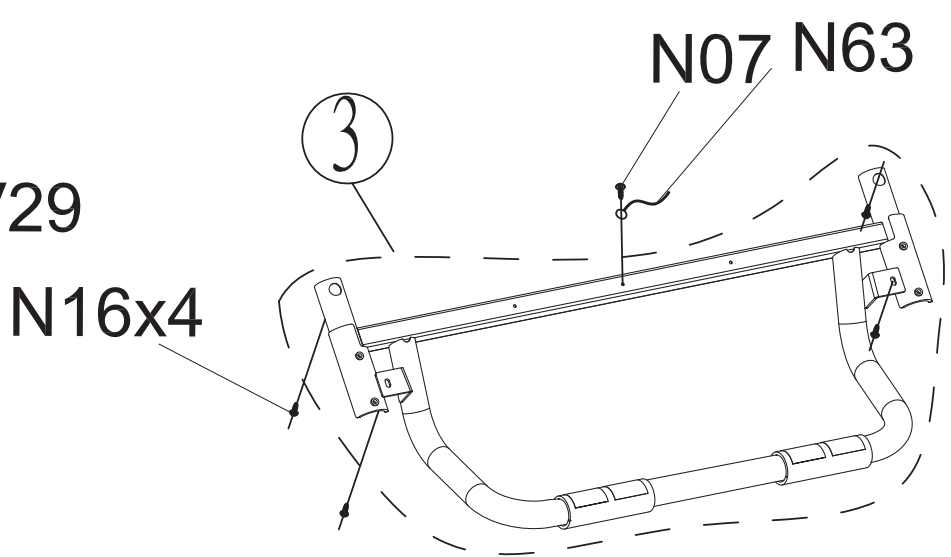
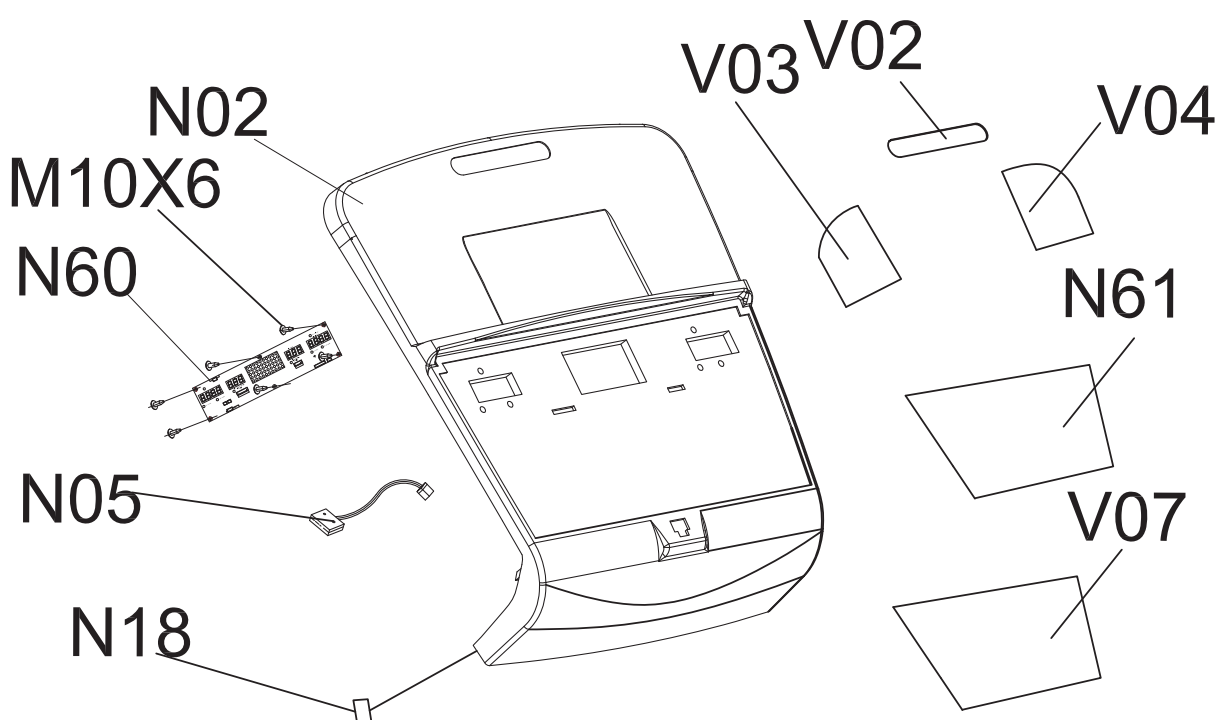
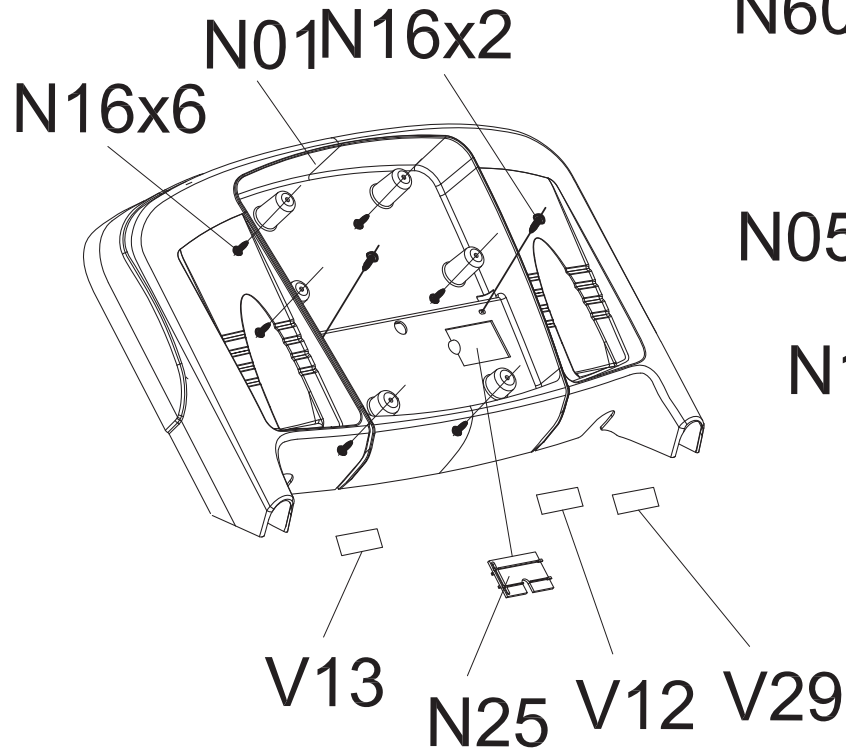
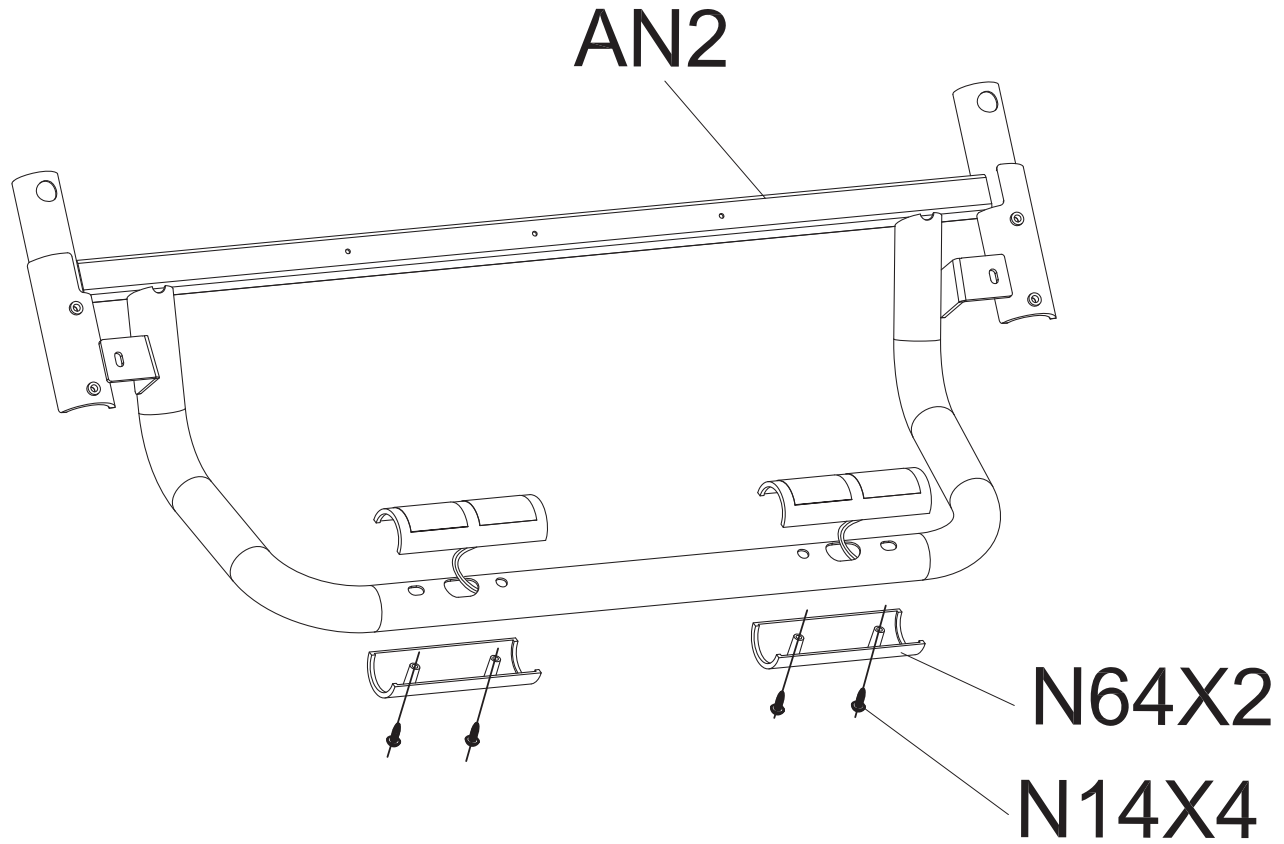


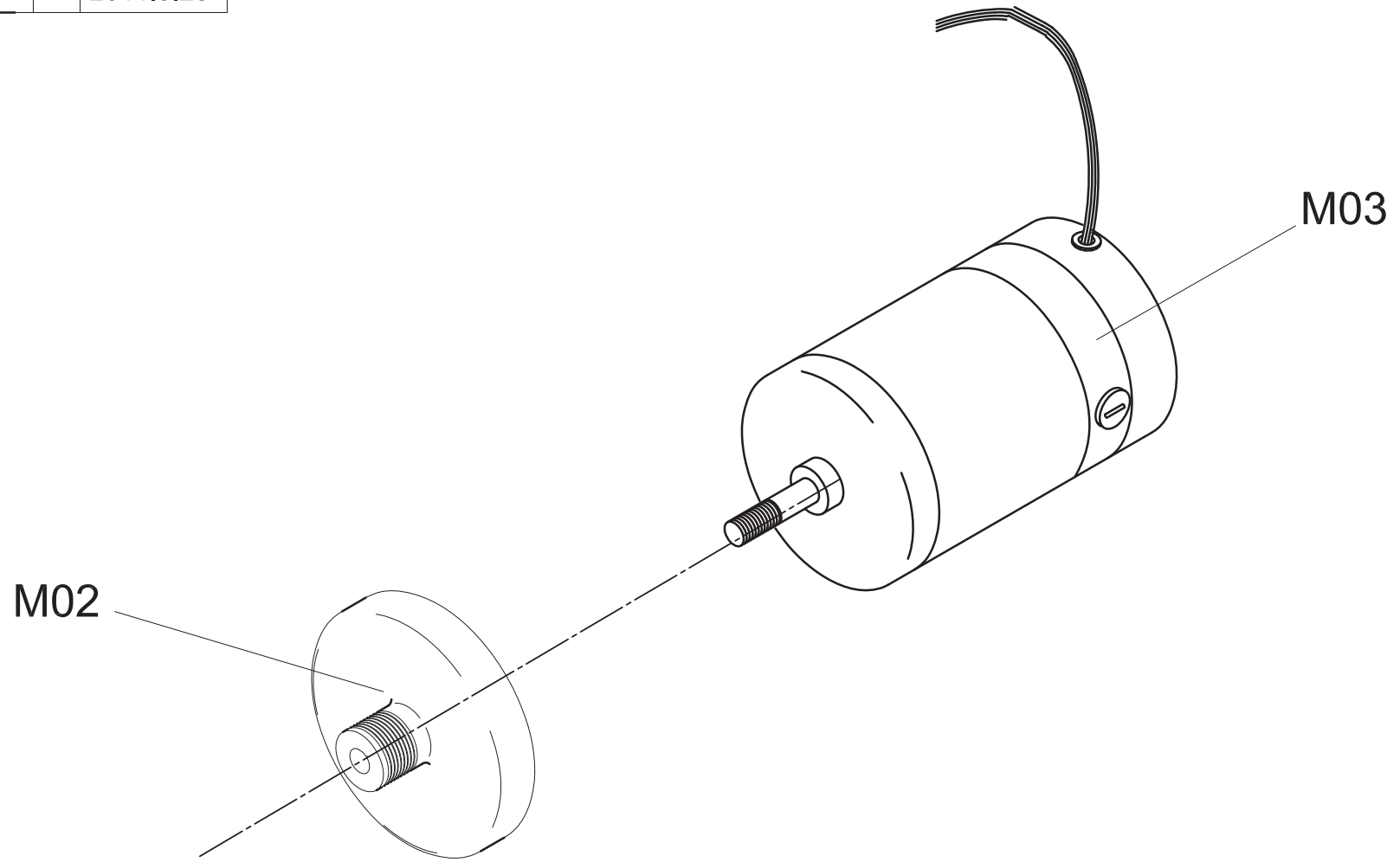
DRAWING NO	TM452-A10		
PART NAME	CONSOLE SET		
SAP PART NO	1000230900	REV	A
APPROVE		DATE	2012.03.05



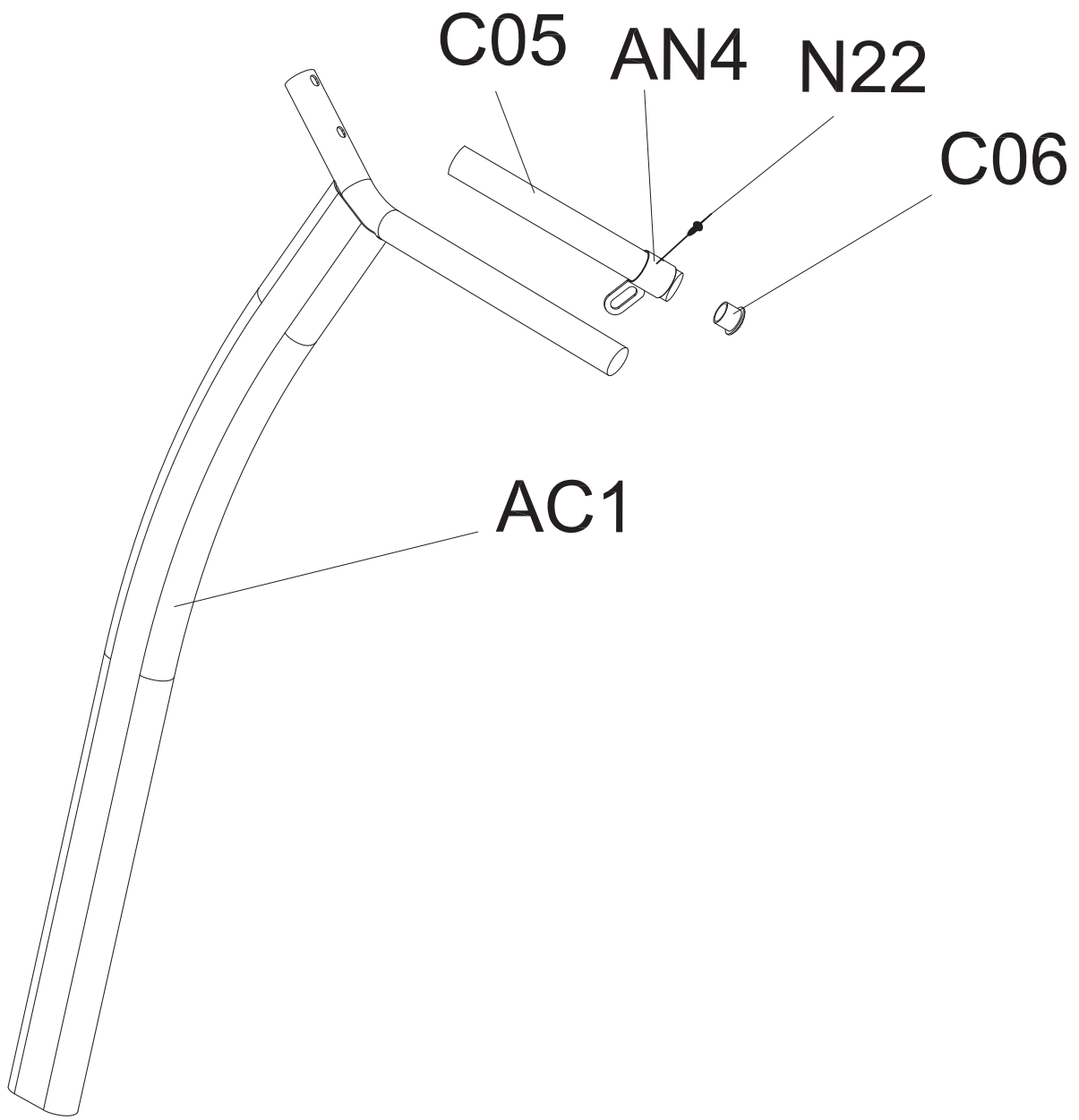
DRAWING NO	TM452-A12		
PART NAME	CONSOLE BASE SET		
SAP PART NO	1000229535	REV	A
APPROVE		DATE	2012.03.05



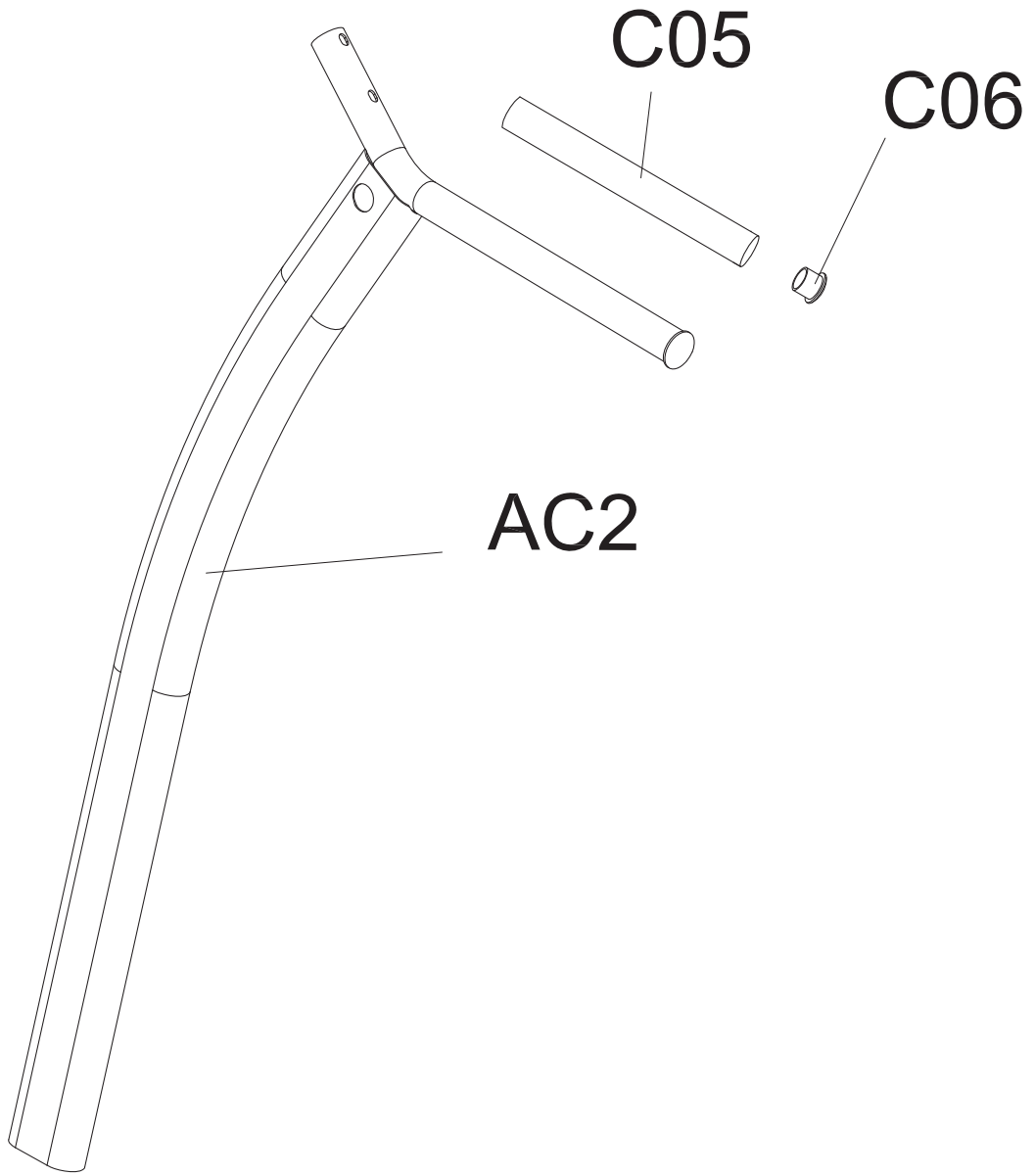
DRAWING NO	TM397-A15		
PART NAME	Motor Set;Semi-Assy		
PART NO	1000113408	REV	A
APPROVE		DATE	2011.3.28



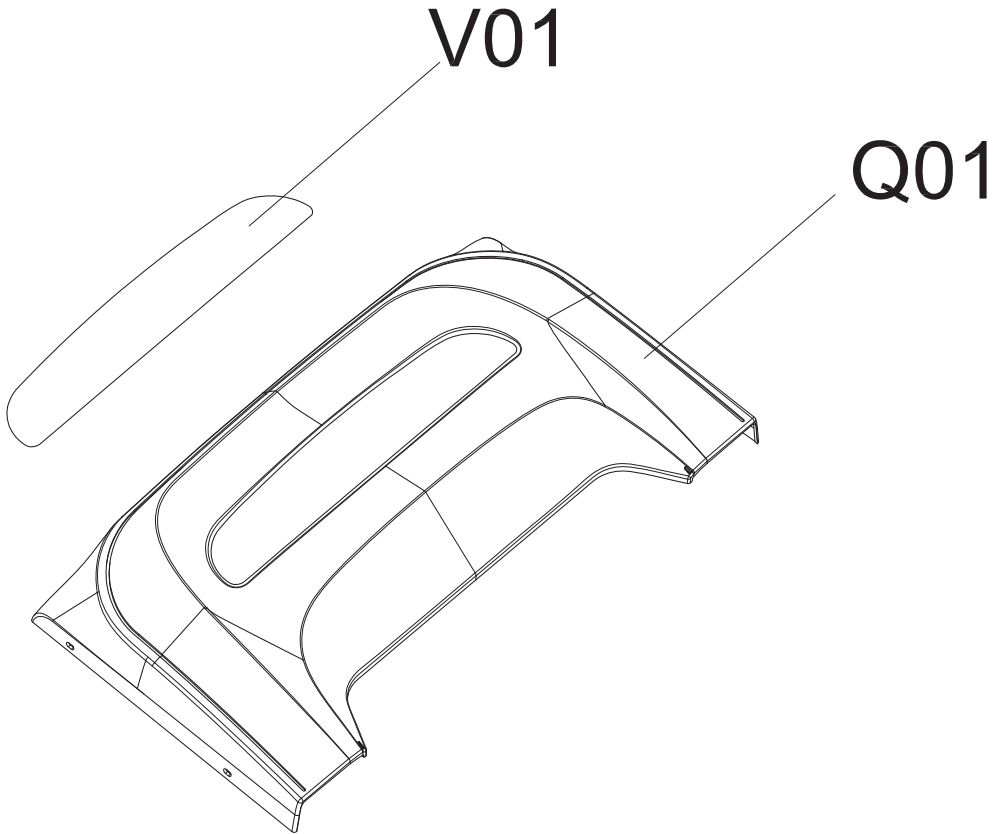
DRAWING NO	TM452-A13		
PART NAME	COMLOSE MAST SET;L;		
SAP PART NO	1000229540	REV	A
APPROVE		DATE	2012.03.05



DRAWING NO	TM452-A14		
PART NAME	COMLOSE MAST SET;R;		
SAP PART NO	1000229542	REV	A
APPROVE		DATE	2012.03.05



DRAWING NO	TM451-A20		
PART NAME	MOTOR COVER		
SAP PART NO	1000229421	REV	A
APPROVE		DATE	2012.03.05



DRAWING NO	TM452-A15		
PART NAME	SIDE RAIL SET		
SAP PART NO	1000229516	REV	A
APPROVE		DATE	2012.03.05



Q11x4

Q03