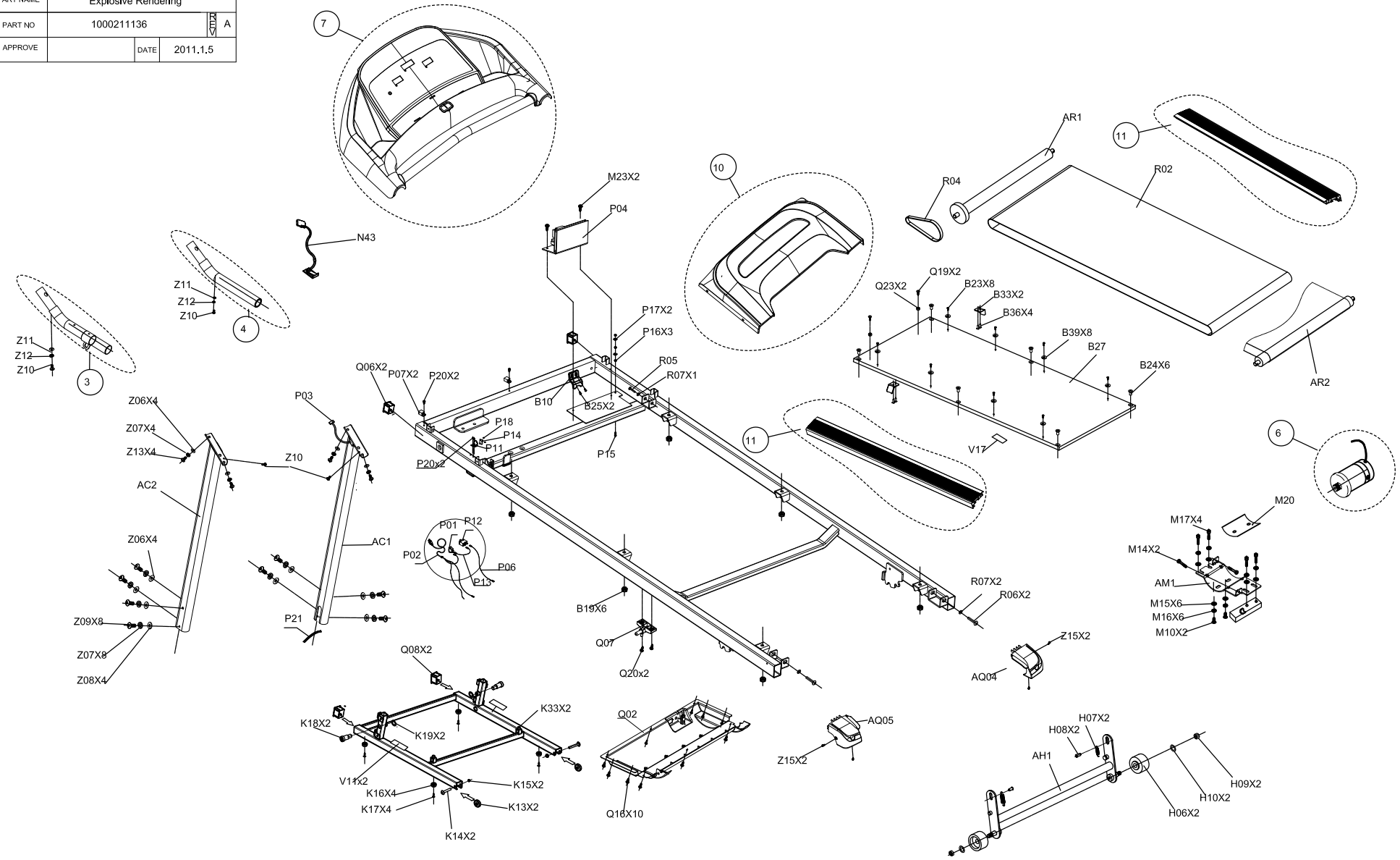

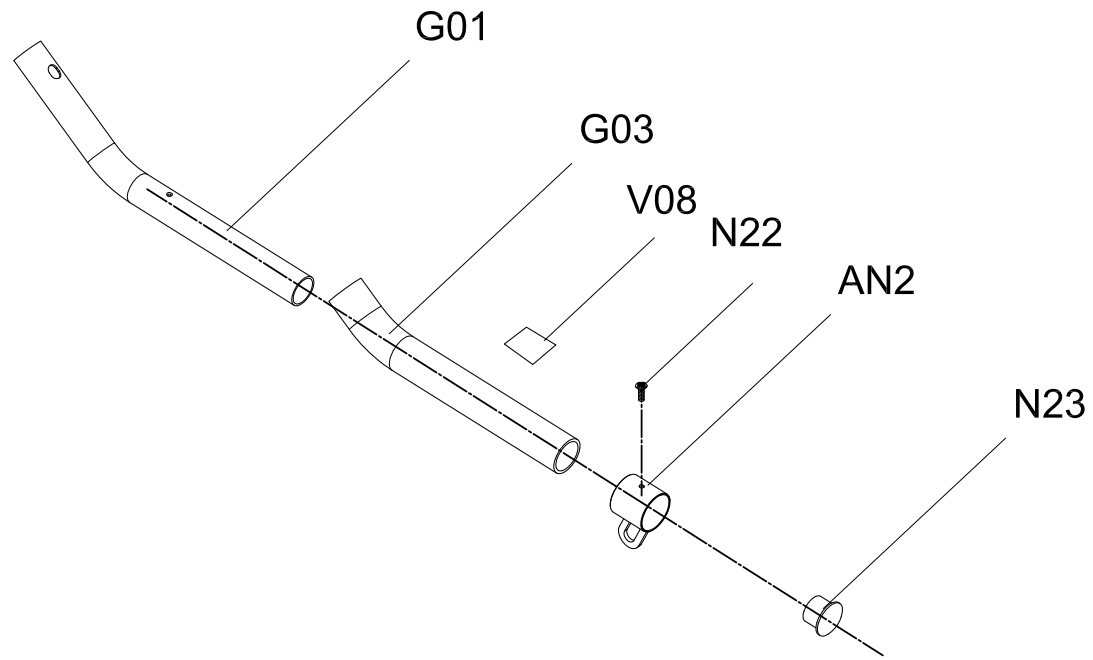


DRAWING NO	TM397B-1US		
PART NAME	Explosive Rendering		
PART NO	1000211136	REV	A
APPROVE	DATE	2011.1.5	

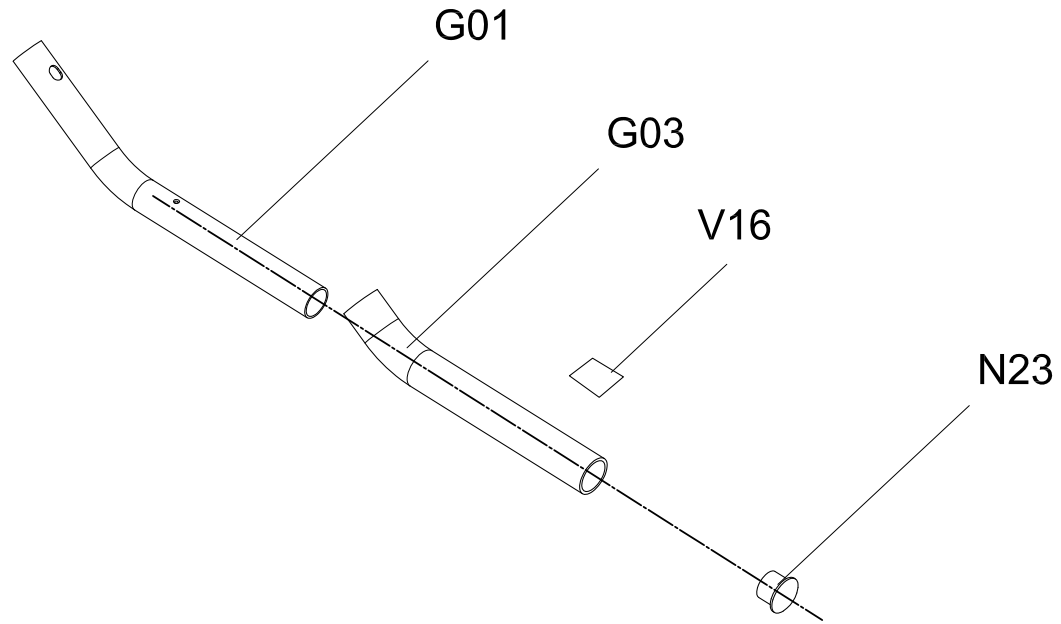


DRAWING NO	TM397-A12		
PART NAME	Handle Set;L		
PART NO	1000113394		A
APPROVE		DATE	2011.3.25

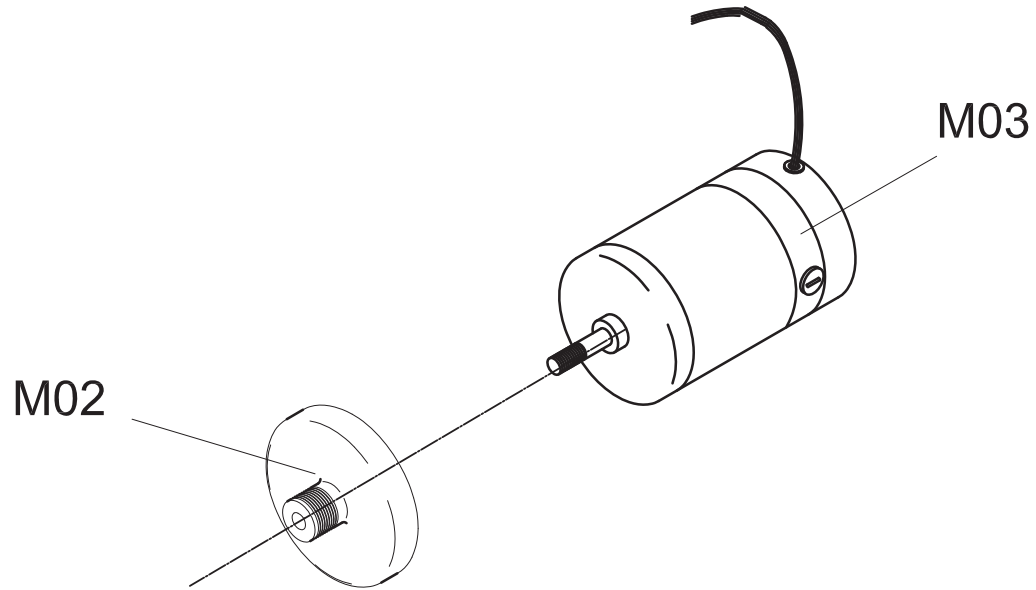


DRAWING NO	TM397-A13
PART NAME	Handle Set;R
PART NO	1000113400
APPROVE	DATE 2011.3.25

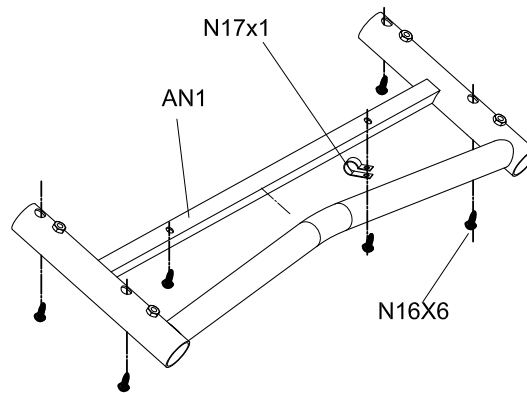
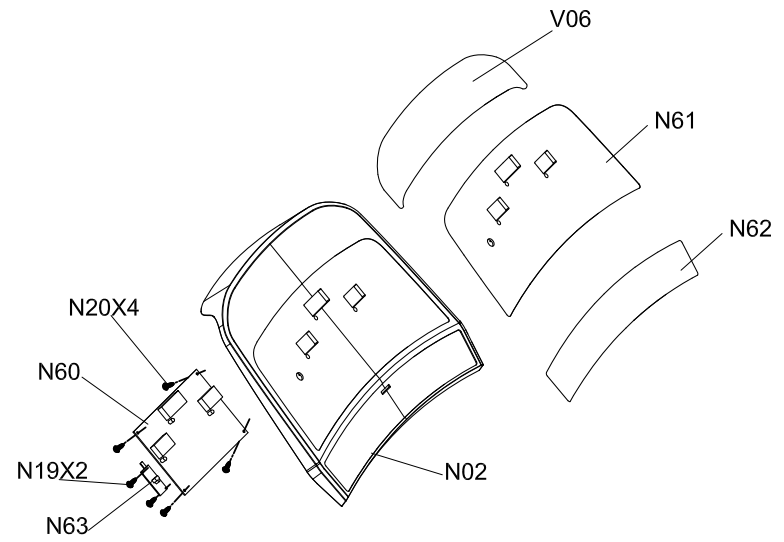
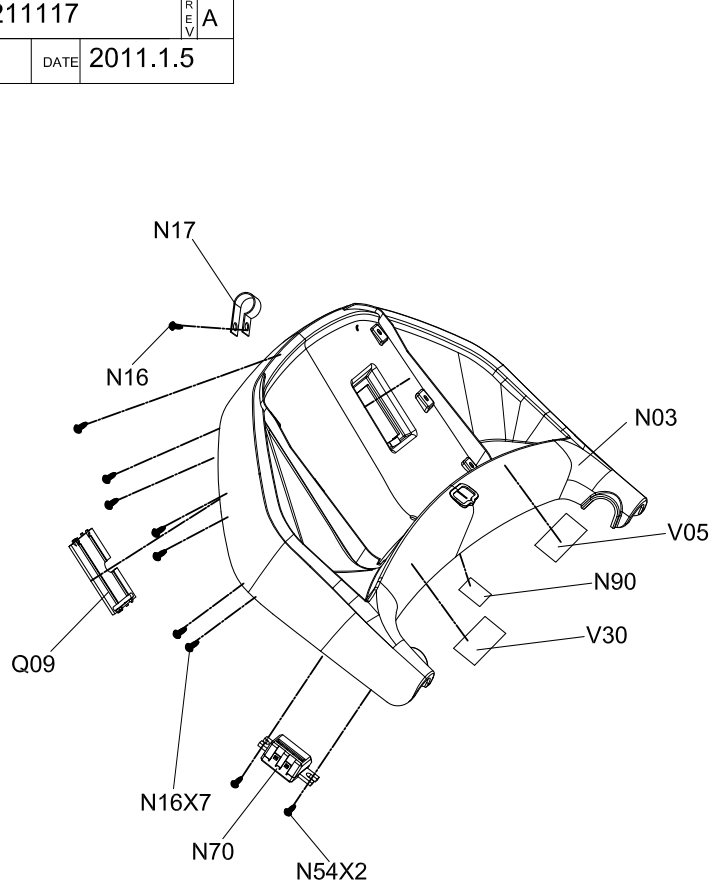
A



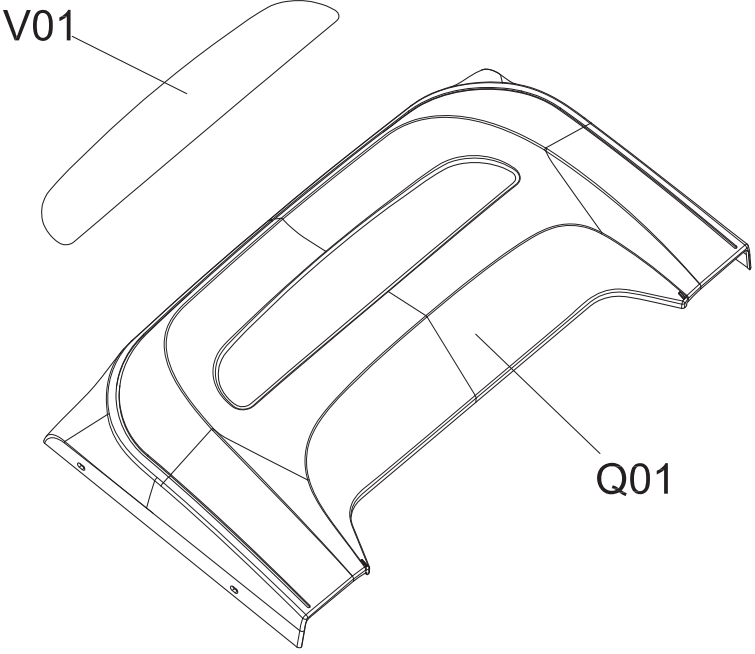
DRAWING NO	TM397B-A15		
PART NAME	Motor Cover Set		
PART NO		REV	A
APPROVE		DATE	2011.1.5



DRAWING NO	TM397B-A16		
PART NAME	Console Set		
PART NO	1000211117	REV	A
APPROVE		DATE	2011.1.5



DRAWING NO	TM397B-A19		
PART NAME	Motor Cover Set		
PART NO			REV A
APPROVE		DATE	2011.1.5



DRAWING NO	TM397-A20		
PART NAME	Side Rail Set		
PART NO	1000113924	REV	A
APPROVE		DATE	2011.1.5

