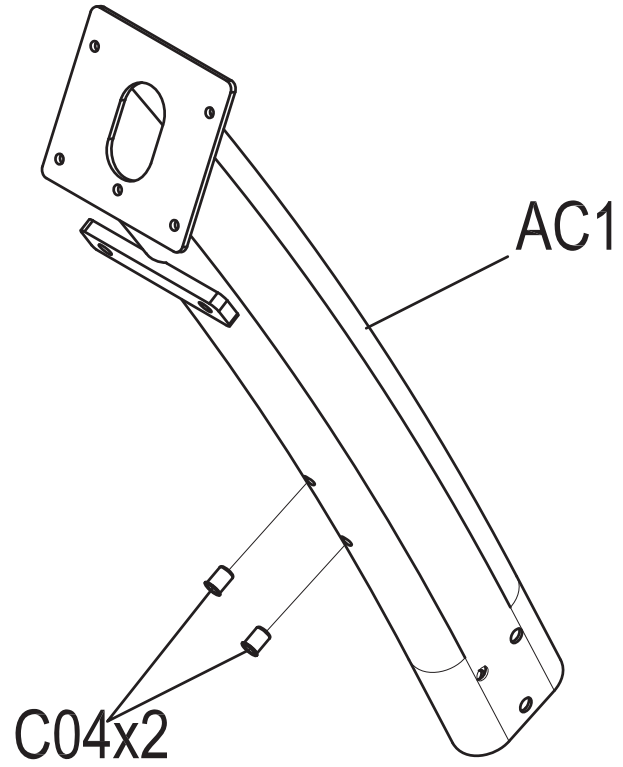
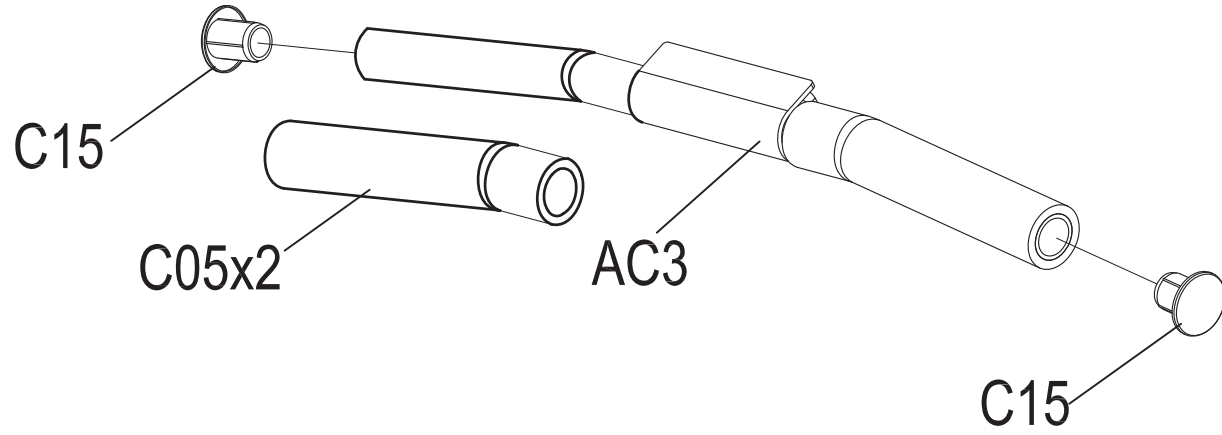


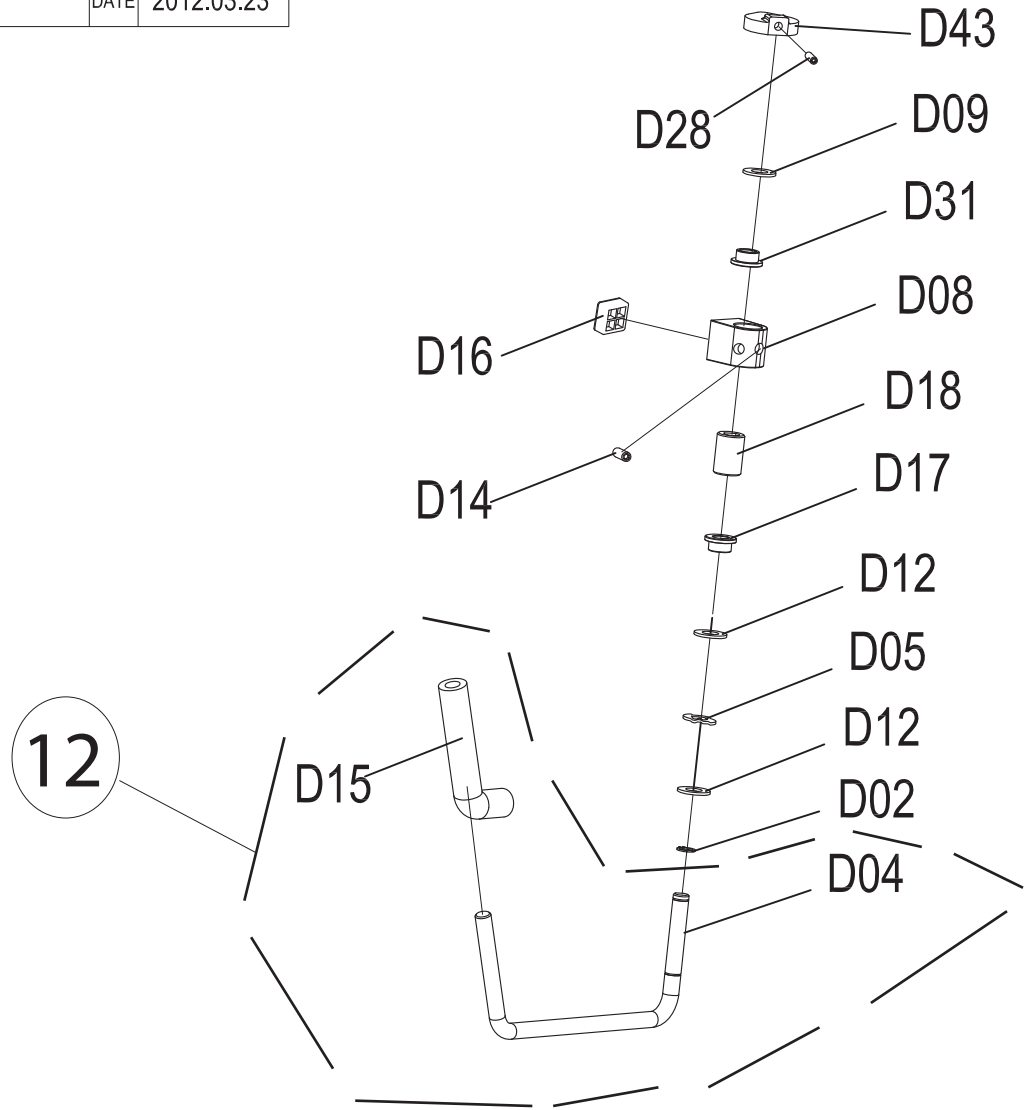
DRAWING NO	RB151-A20		
PART NAME	Console Mast Set		
PART NO	1000230500	REV	A
APPROVE		DATE	2012.03.06



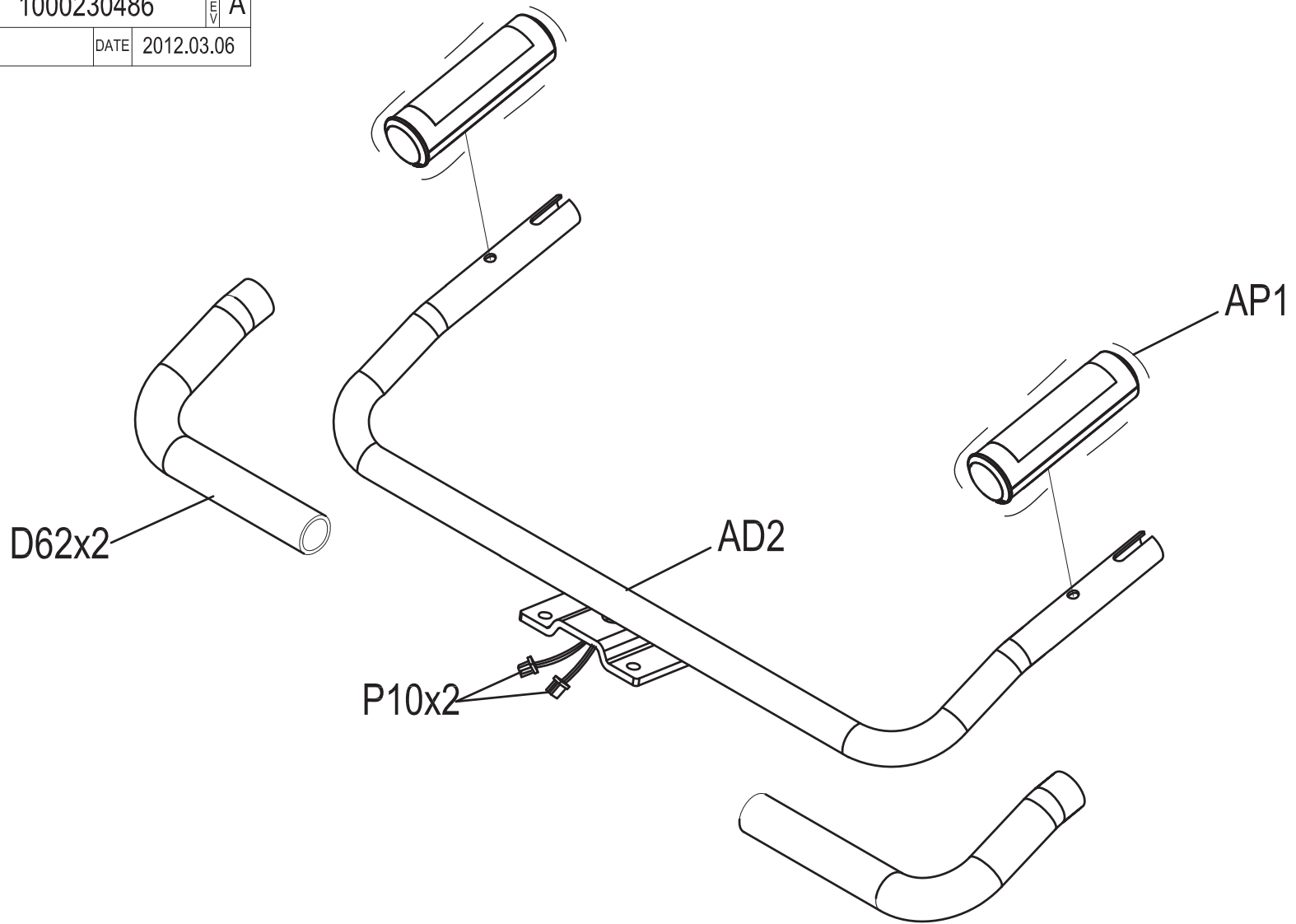
DRAWING NO	RB150-A21		
PART NAME			
PART NO	1000230484	REV	A
APPROVE		DATE	2012.03.06



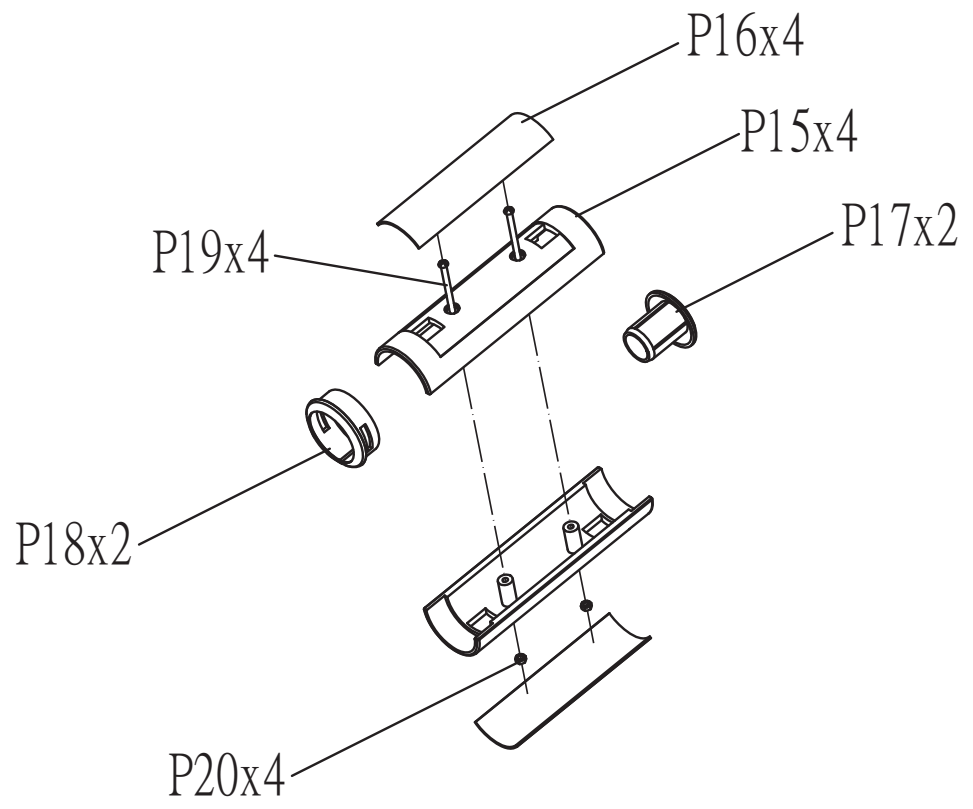
DRAWING NO	RB150-A22		
PART NAME	Seating Washer Slide Carriage Set		
PART NO	1000230485		A
APPROVE		DATE	2012.03.23



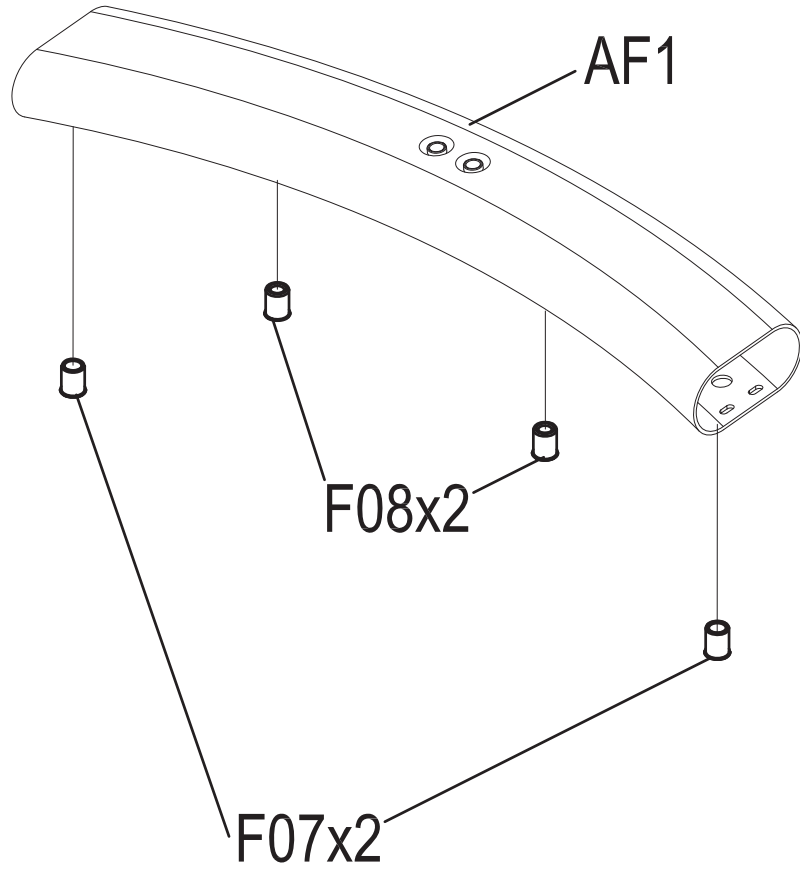
DRAWING NO	RB150-A23		
PART NAME	Seating Washer Handle Set		
PART NO	1000230486	REV	A
APPROVE		DATE	2012.03.06



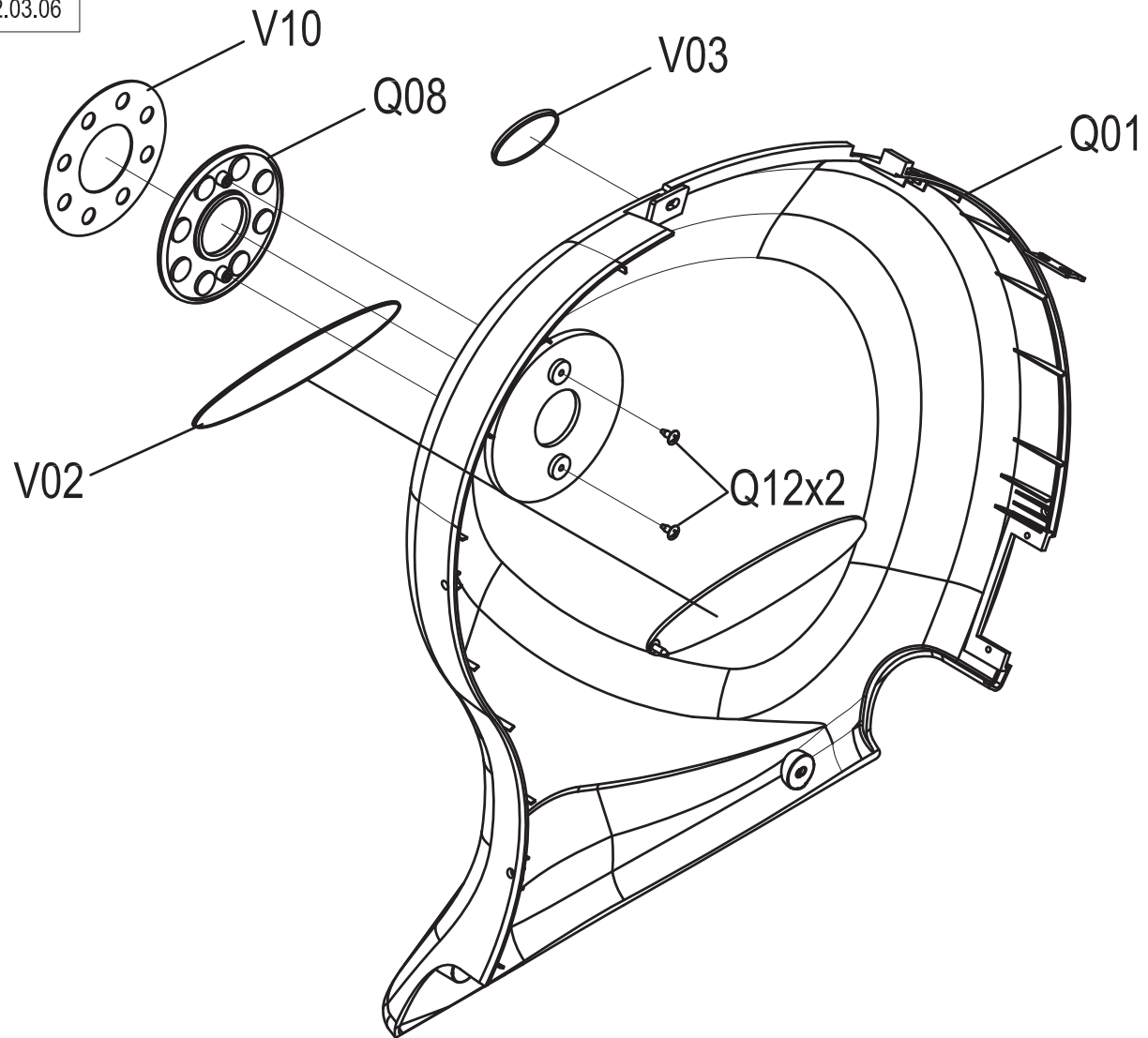
DRAWING NO	RB135-A41		
PART NAME	Sensor Handle Set		
PART NO	1000213105	REV	A
APPROVE		DATE	2010.12.24



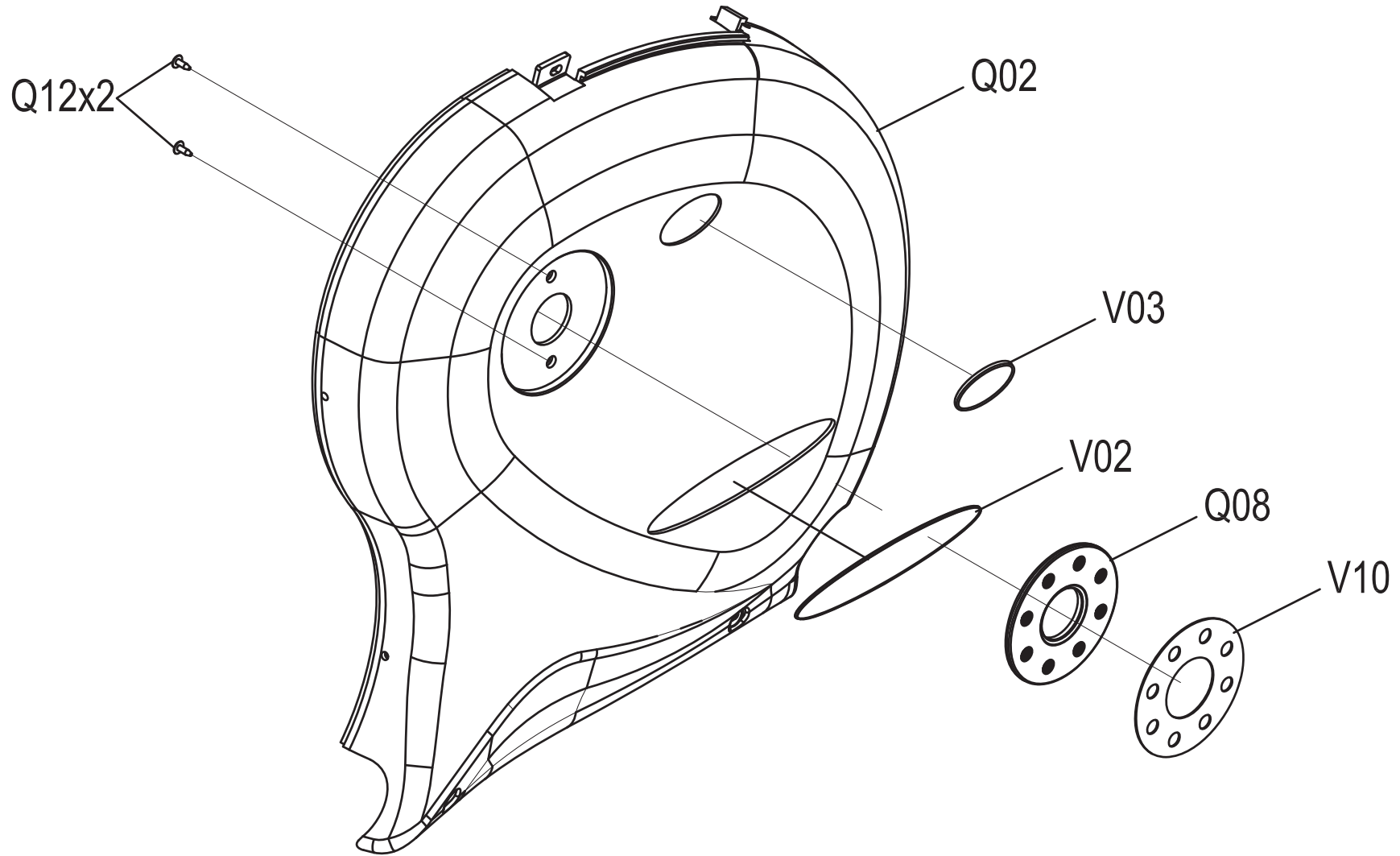
DRAWING NO	RB151-A25		
PART NAME	Seating Washer Rack Set		
PART NO	1000230614	REV	A
APPROVE		DATE	2012.03.06



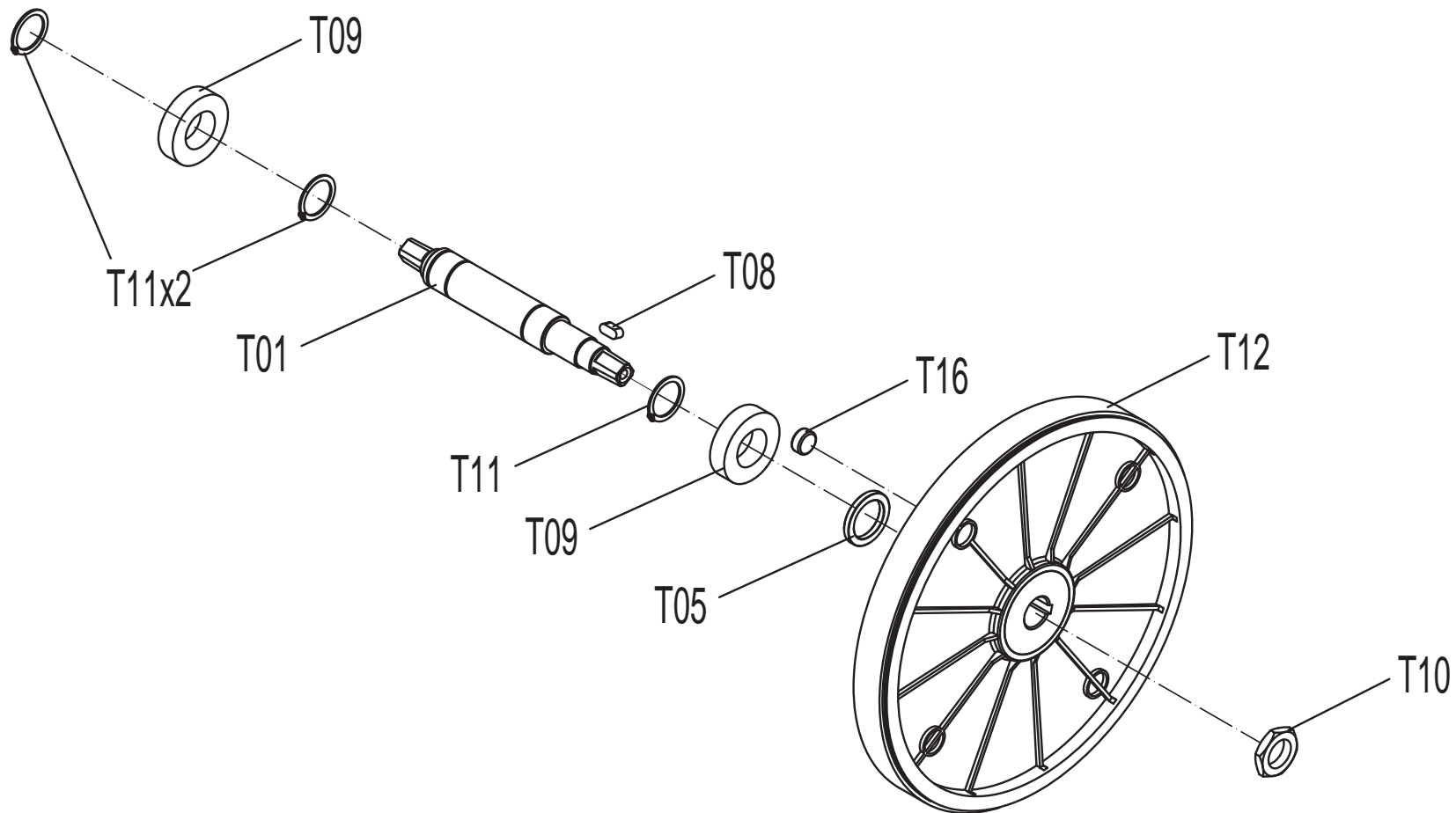
DRAWING NO	RB150-A24		
PART NAME	Protect Cover;L		
PART NO	1000230487	REV	A
APPROVE		DATE	2012.03.06



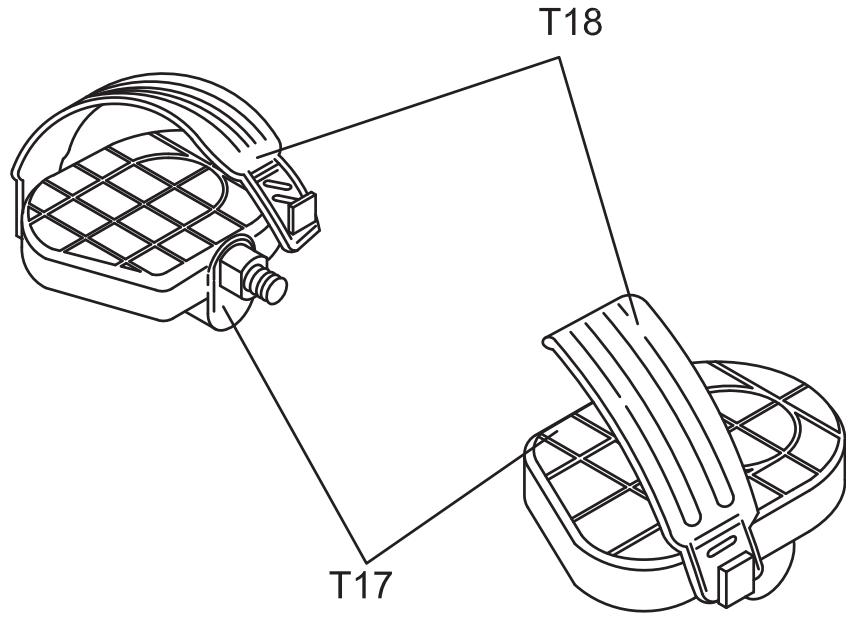
DRAWING NO	RB150-A25		
PART NAME	Seating Washer Rack Set		
PART NO	1000230488	<input type="checkbox"/> <small>MAX</small>	A
APPROVE		DATE	2012.03.06



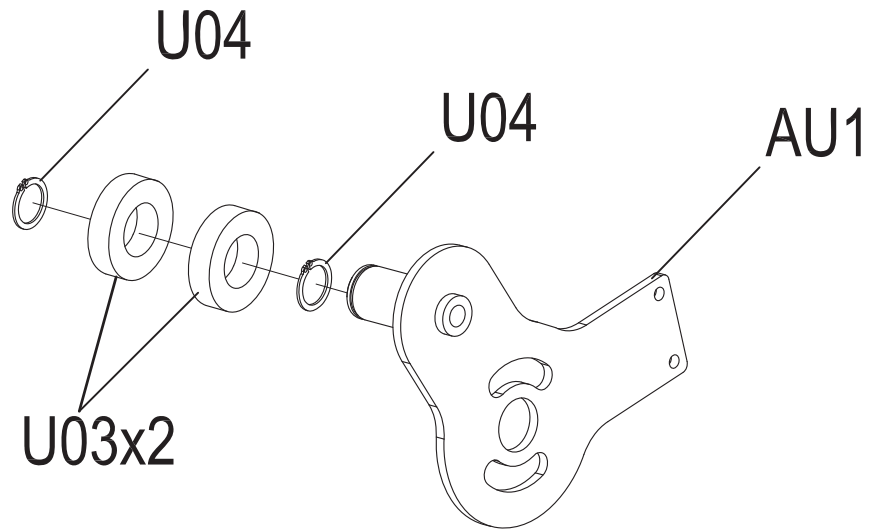
DRAWING NO	RB135-A33		
PART NAME	Pedal Principal Axis Set		
PART NO	1000112327	REV	A
APPROVE	DATE	2010.12.24	



DRAWING NO	CB157-A15		
PART NAME	Foot Pedal Set		
PART NO	1000228989	REV	A
APPROVE		DATE	



DRAWING NO	RB110-A26		
PART NAME	Pressure Wheel Prop Piece Set		
PART NO	1000230489	REV	A
APPROVE		DATE	2012.03.06



DRAWING NO	RB150-A26		
PART NAME	Back pad set		
PART NO		REV	A
APPROVE		DATE	2012.03.22

