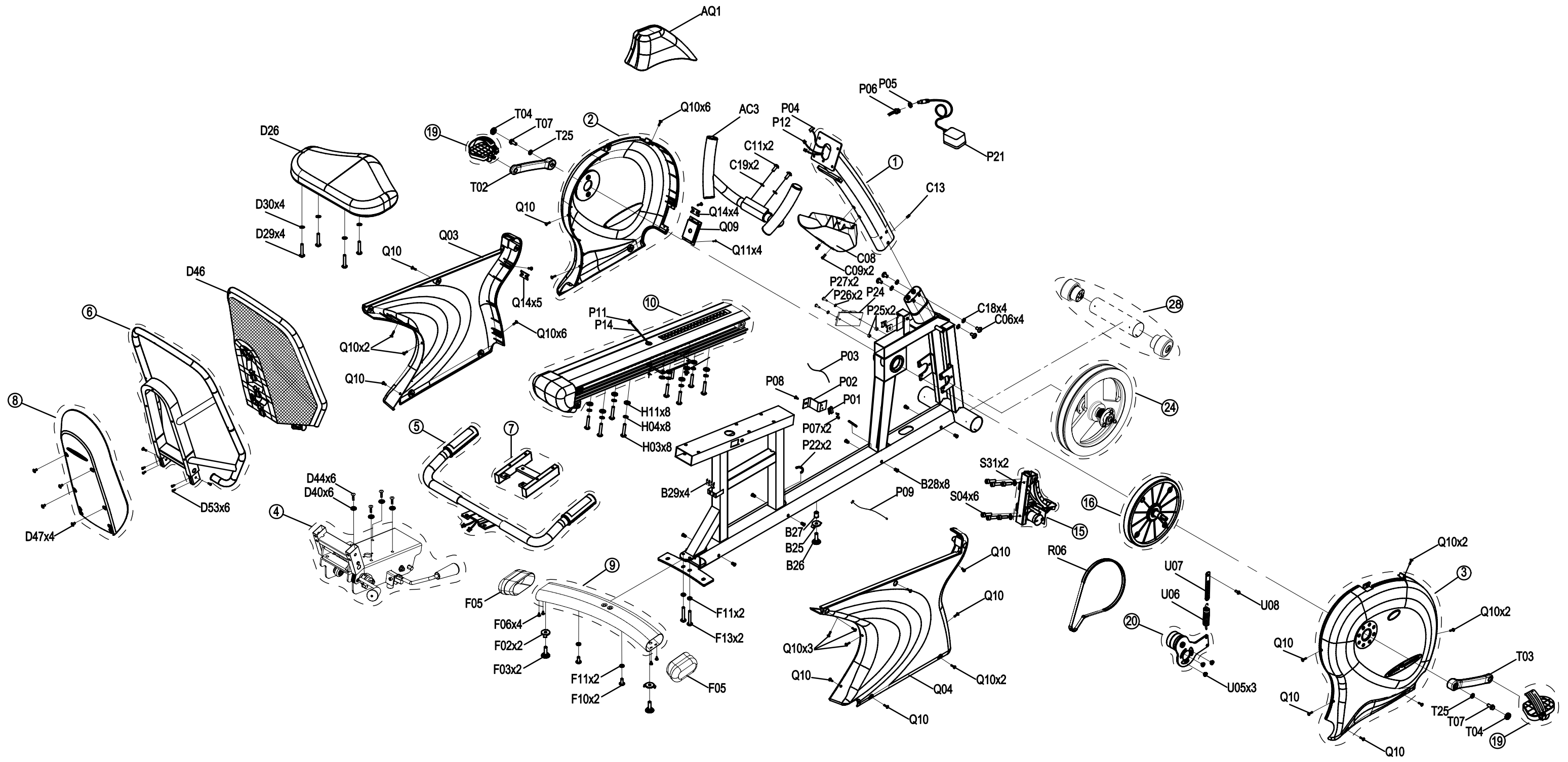
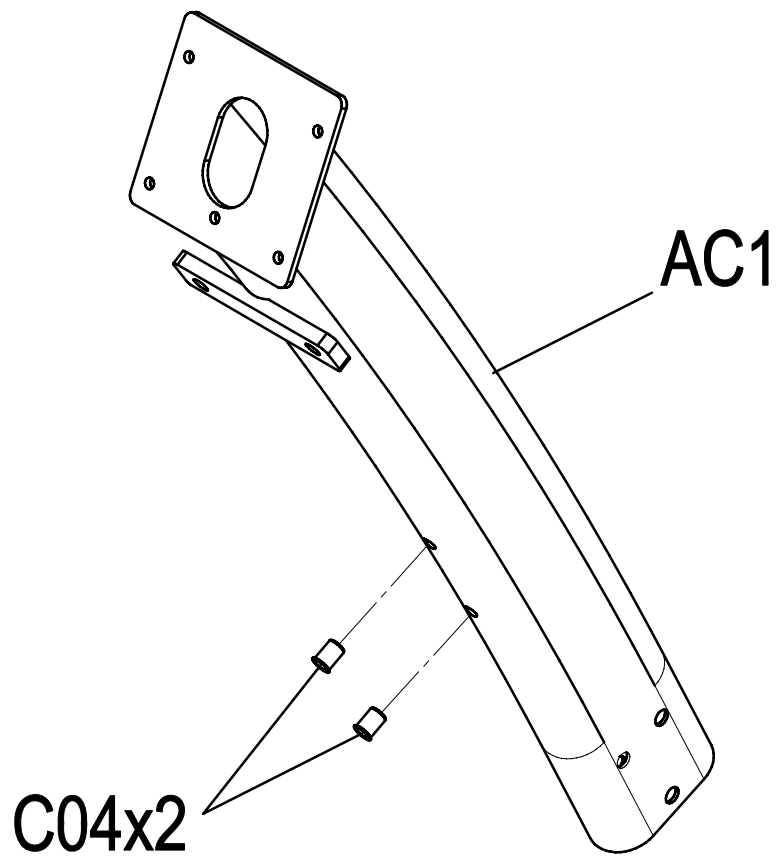


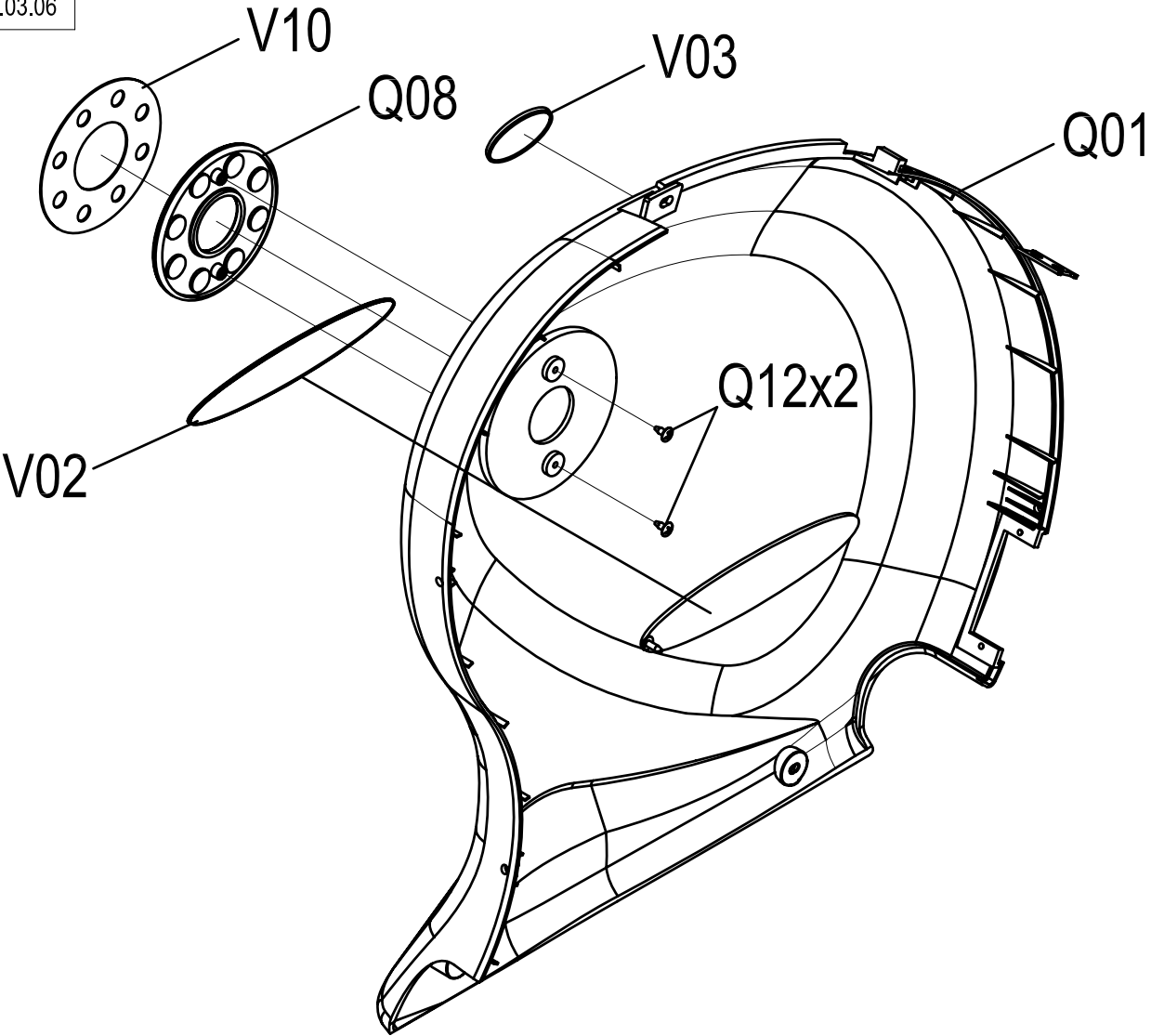
DRAWING NO	PRB151-1US-F		
PART NAME	Explosive Drawing		
PART NO	VRB0125-00	REV	E
APPROVE	yangweiqian	DATE	2013.12.17



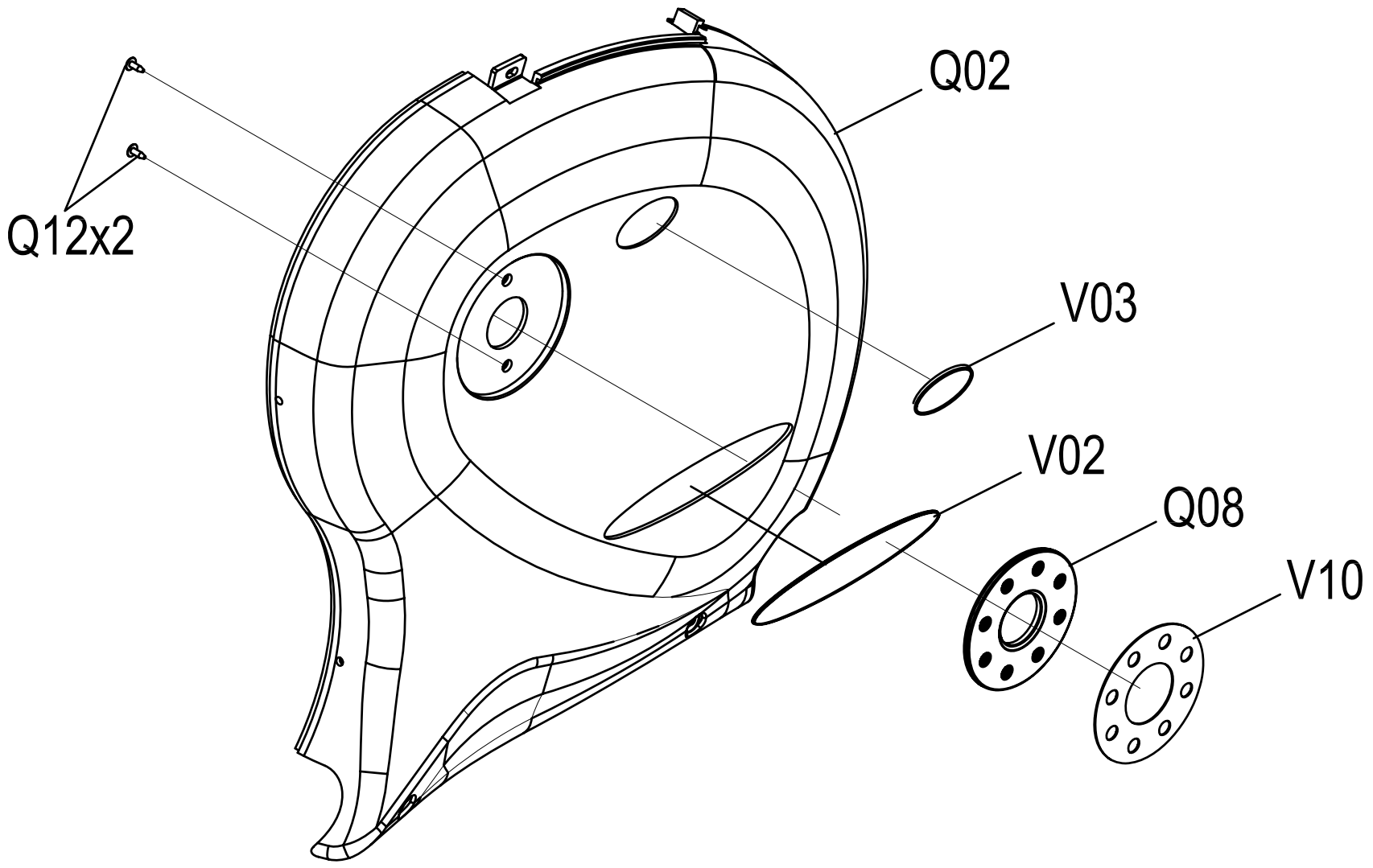
DRAWING NO	RB151-A20		
PART NAME	Console Mast Set		
PART NO	1000230500	REV	A
APPROVE	yangweiqian	DATE	2014.01.13



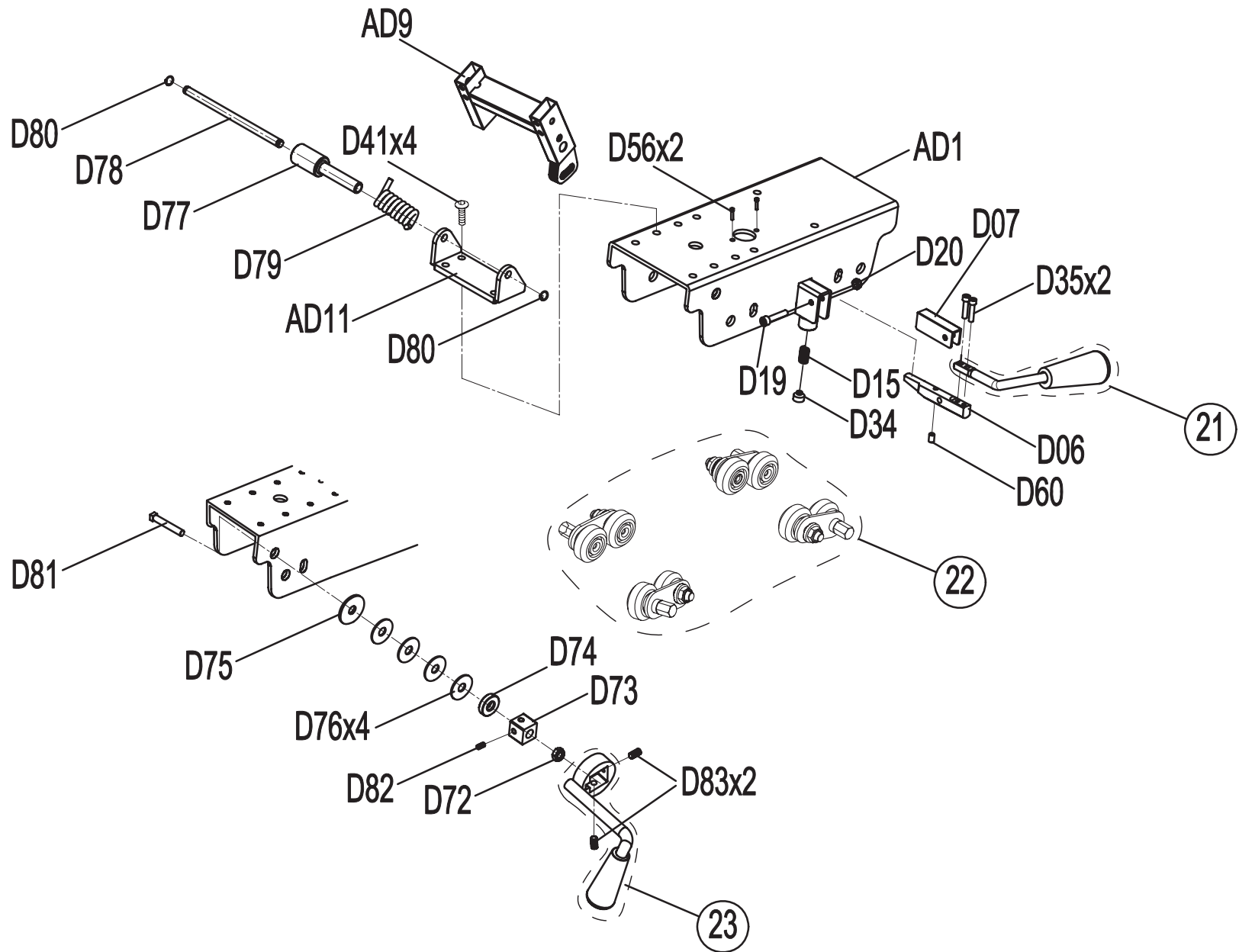
DRAWING NO	RB151-A23		
PART NAME	Protect Cover;L		
PART NO	1000230503	A	12/23
APPROVE		DATE	2012.03.06



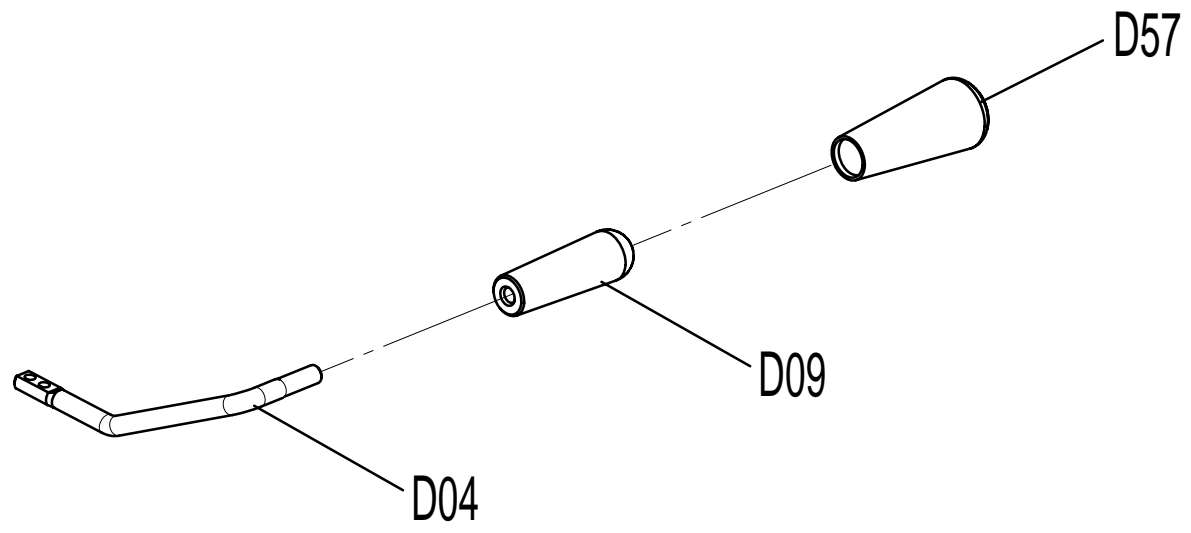
DRAWING NO	RB151-A24		
PART NAME	Protect Cover;R		
PART NO	1000230504	A	A
APPROVE		DATE	2012.03.06



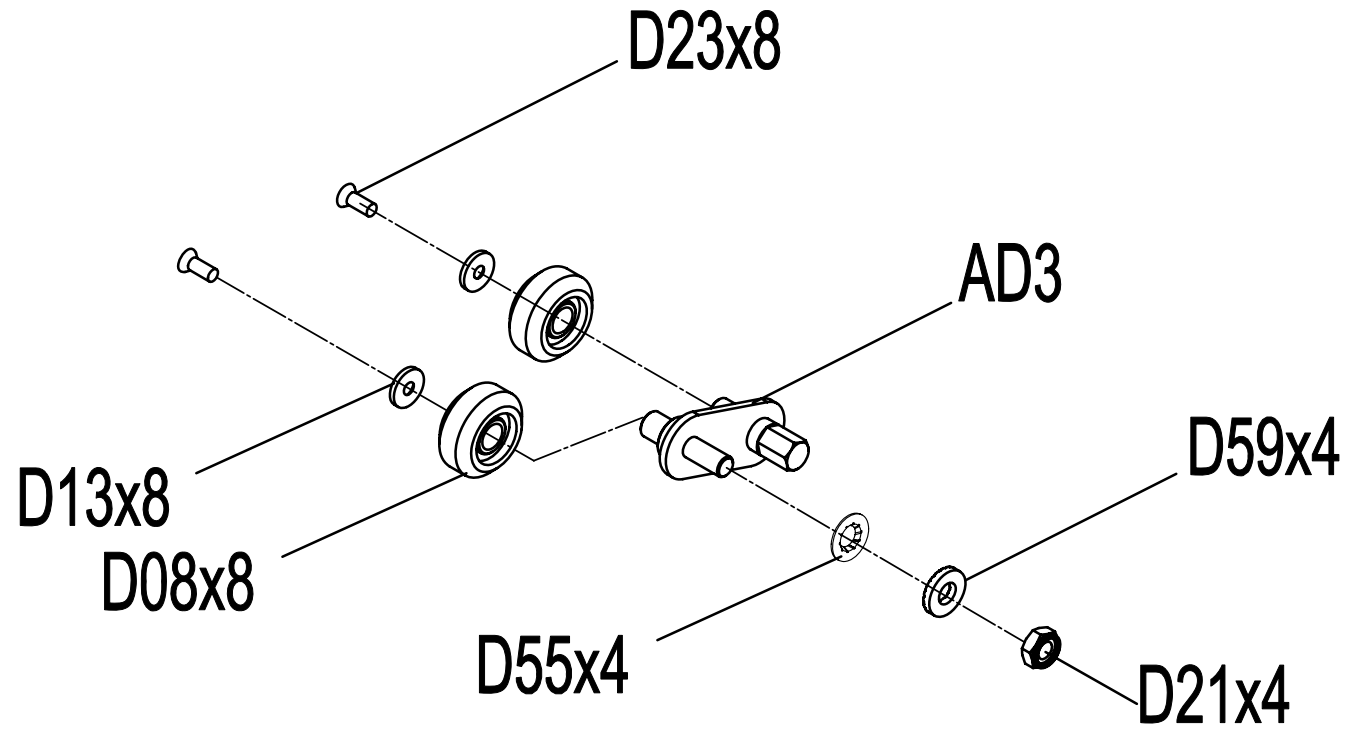
DRAWING NO	RB135-A18		
PART NAME	Seating Washer Slide Carriage Set		
PART NO	1000112307	REV	A
APPROVE	yangweiqian	DATE	2014.01.13



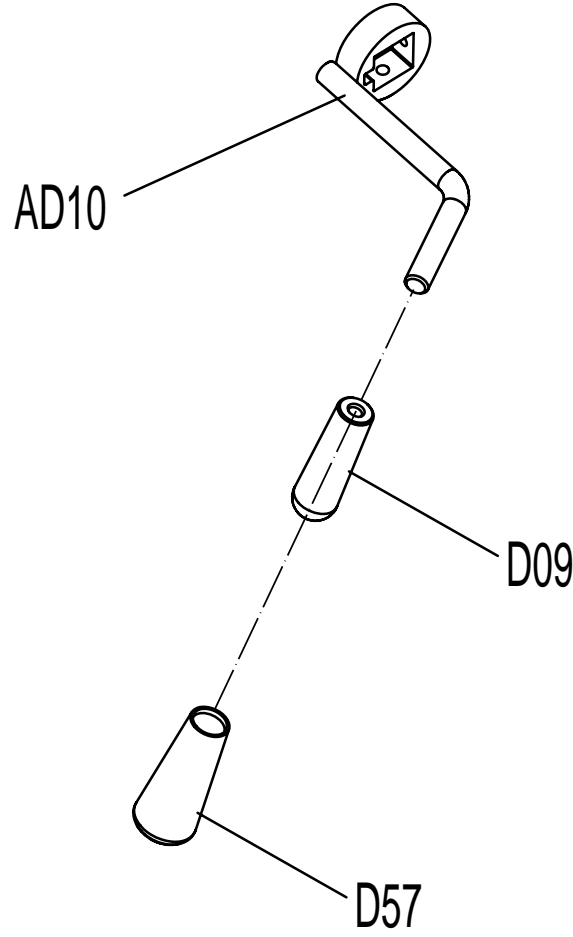
DRAWING NO	RB135-A38		
PART NAME	Adjustable Handlebar Set		
PART NO	1000213102	REV	A
APPROVE		DATE	2010.12.24



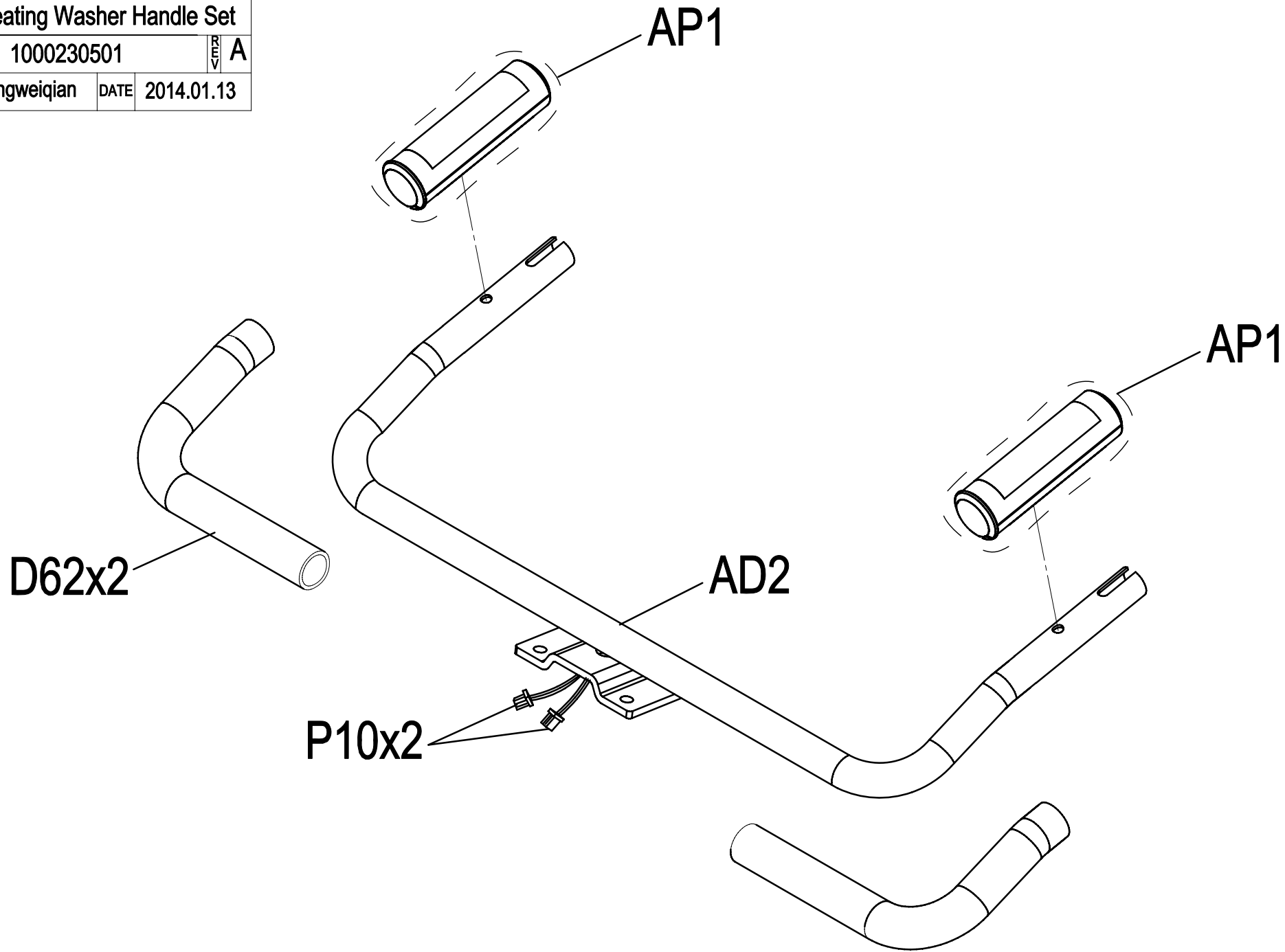
DRAWING NO	RB135-A39		
PART NAME	Roller Axle Set		
PART NO	1000213103	REV	B
APPROVE	yangweiqian	DATE	2014.01.13



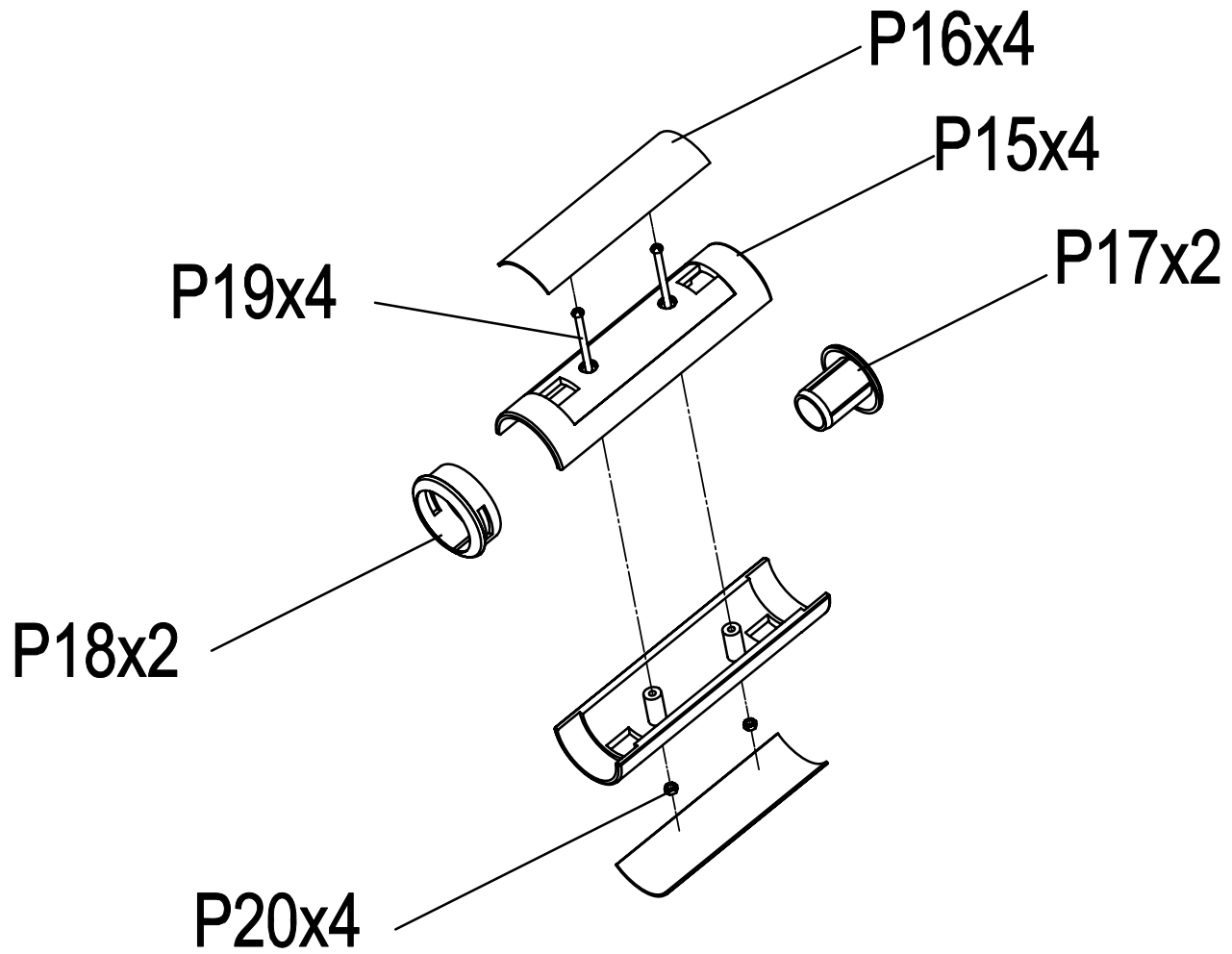
DRAWING NO	RB135-A40		
PART NAME	Handlebar Set		
PART NO	1000213104	REV	A
APPROVE		DATE	2010.12.24



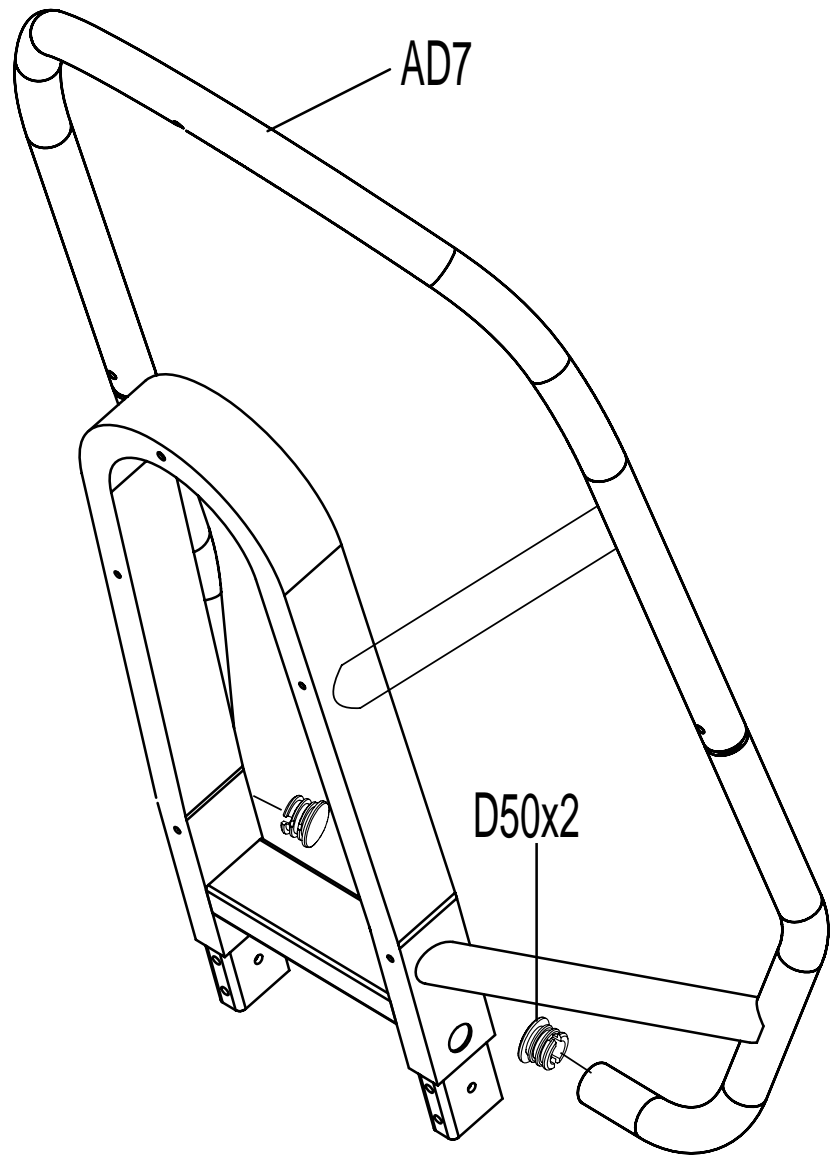
DRAWING NO	RB151-A21		
PART NAME	Seating Washer Handle Set		
PART NO	1000230501	REV	A
APPROVE	yangweiqian	DATE	2014.01.13



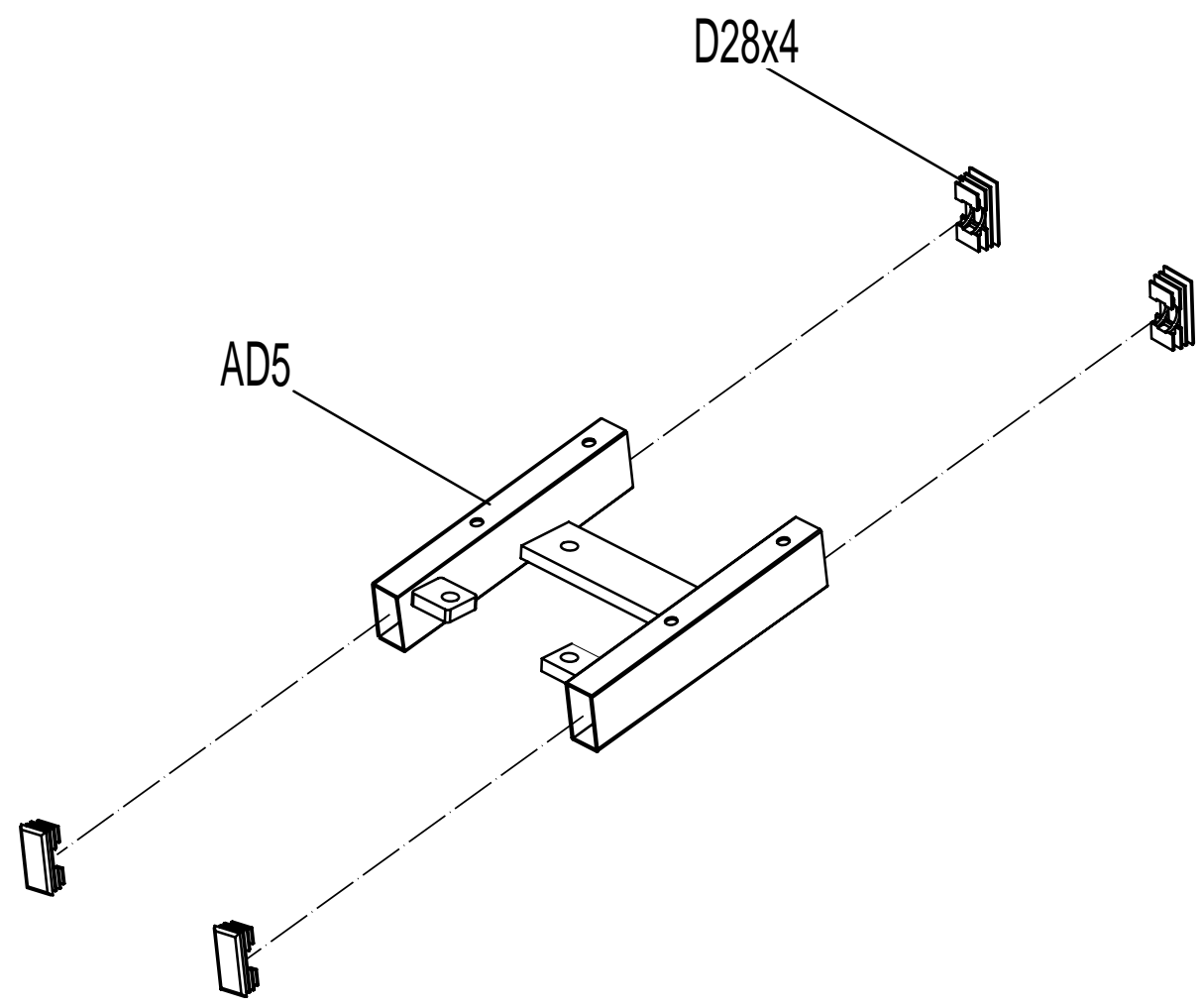
DRAWING NO	RB135-A41		
PART NAME	Sensor Handle Set		
PART NO	1000213105	REV	A
APPROVE	yangweiqian	DATE	2014.01.13



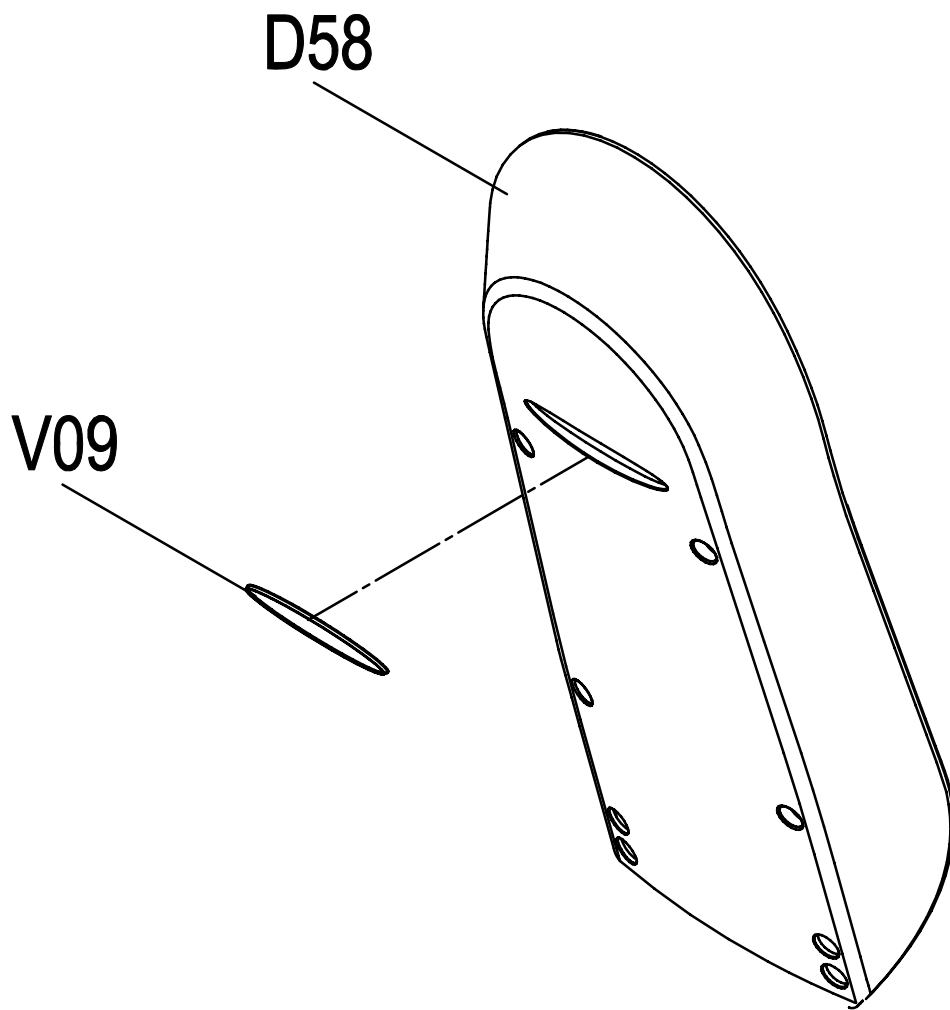
DRAWING NO	RB135-A20		
PART NAME	Back Pad Rack Set		
PART NO	1000112310	REV	A
APPROVE		DATE	2010.12.24



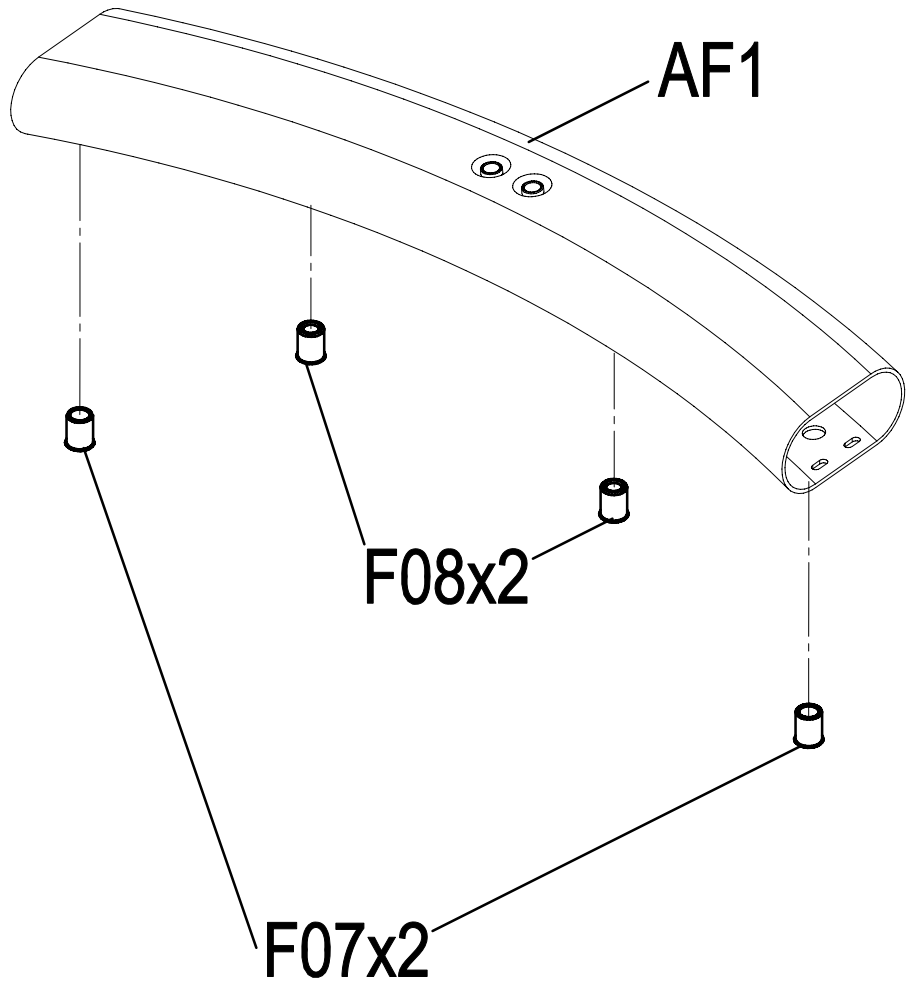
DRAWING NO	RB135-A22		
PART NAME	Seating Washer Rack Set		
PART NO	1000112313	REV	A
APPROVE		DATE	2010.12.24



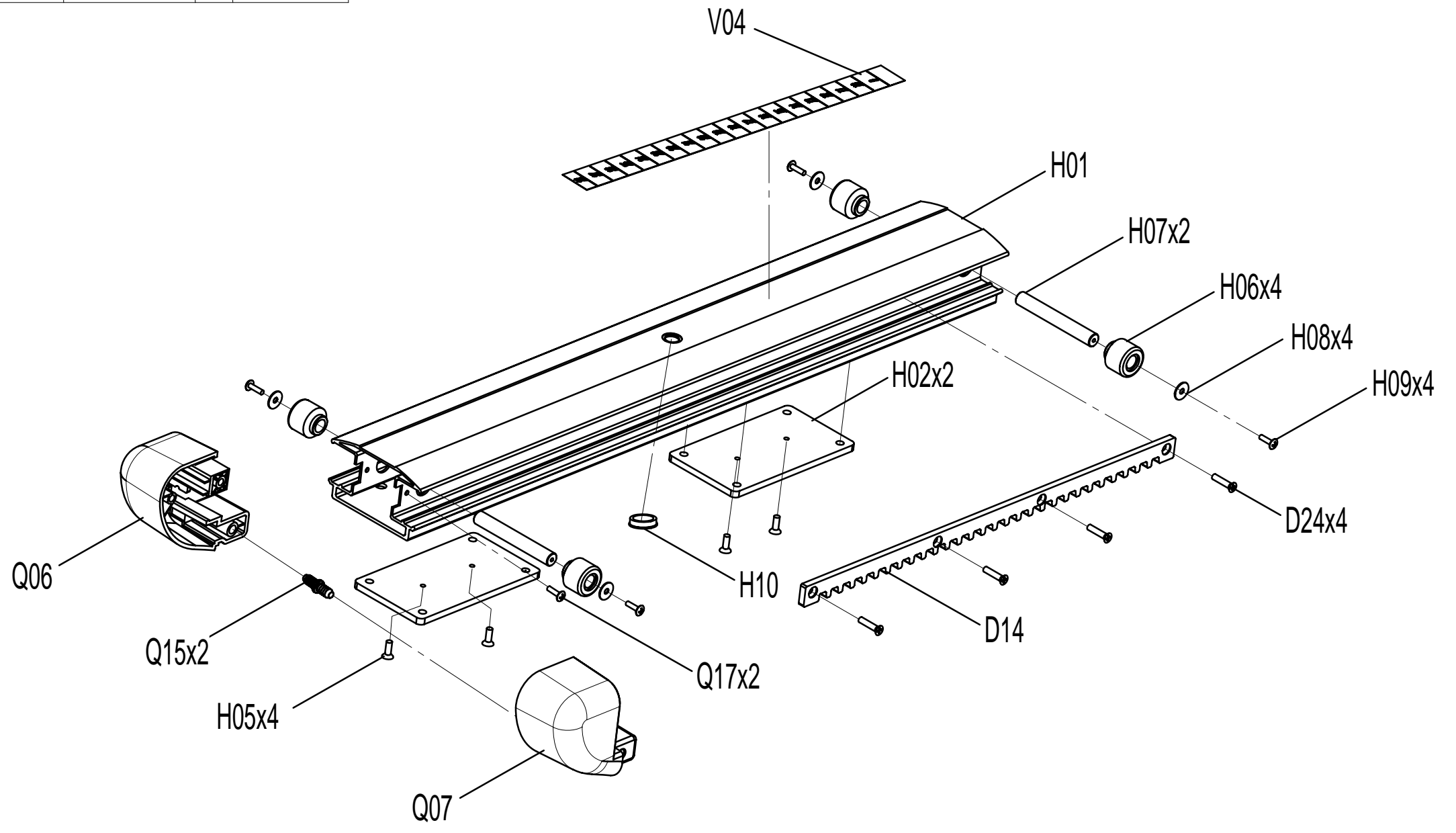
DRAWING NO	RB151-A22		
PART NAME	Back Pad Rear Protect Cover Set		
PART NO	1000230502	REV	A
APPROVE	yangweiqian	DATE	2014.01.13



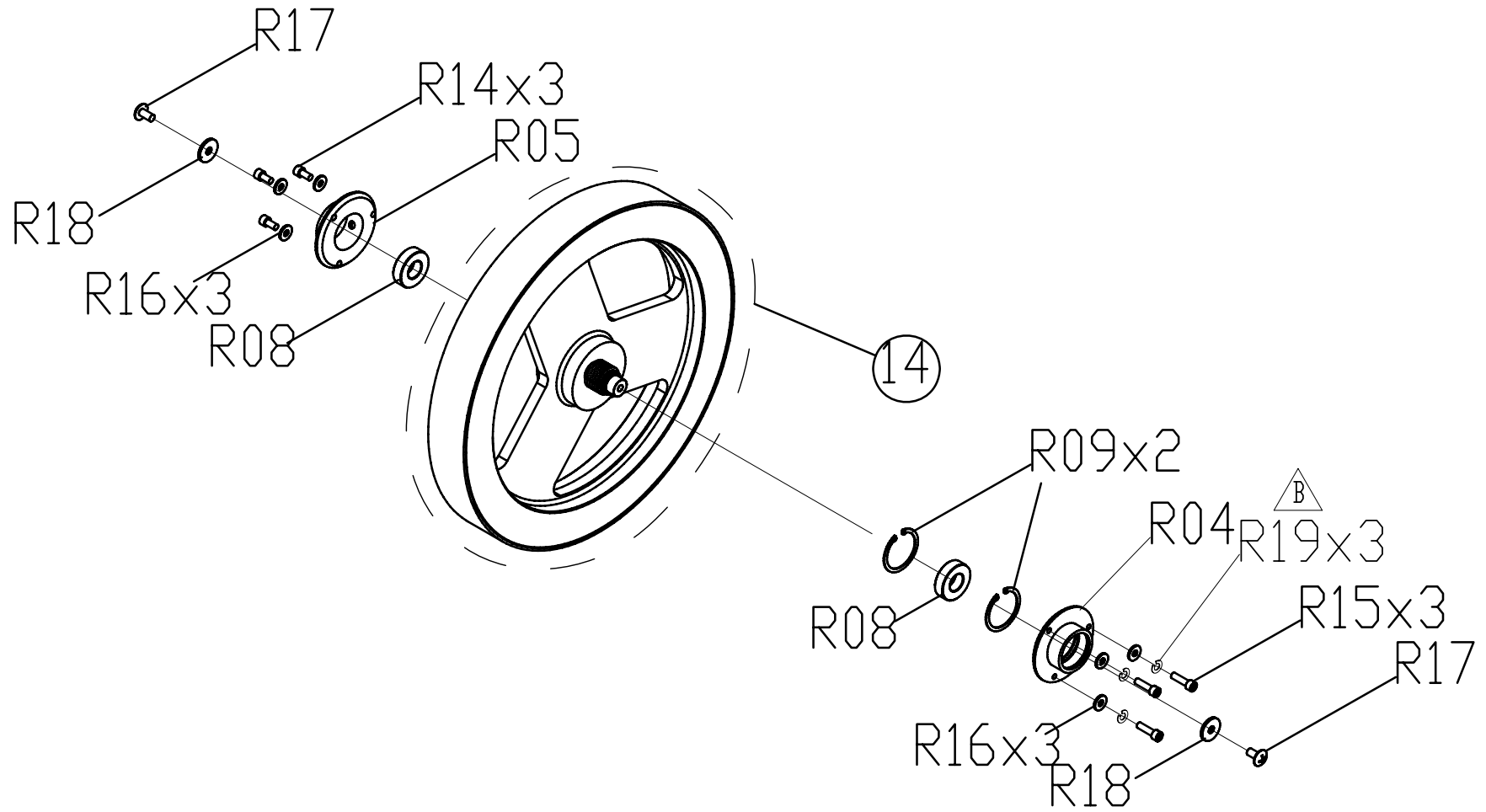
DRAWING NO	RB151-A25		
PART NAME	Stabilizer Set		
PART NO	1000230614	A	A
APPROVE	yangweiqian	DATE	2014.01.13



DRAWING NO	RB135-A25		
PART NAME	Guide Rail Set		
PART NO	1000112317	R ▼ A	A
APPROVE		DATE	2010.12.24

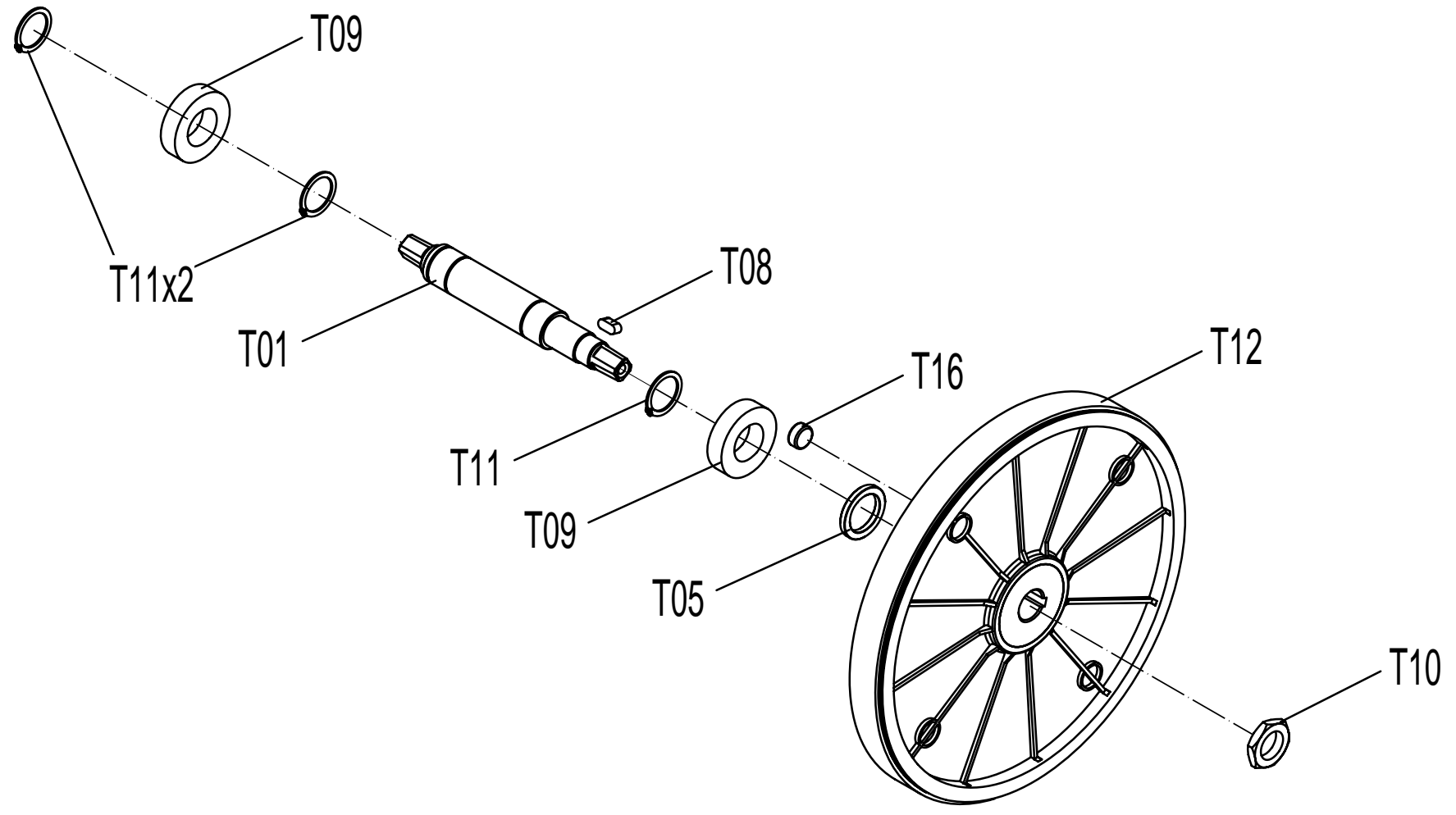


DRAWING NO	RB135-A42		
PART NAME	Flywheel set;Add bearing set		
PART NO	1000304052	REV	B
APPROVE		DATE	2013-05-28

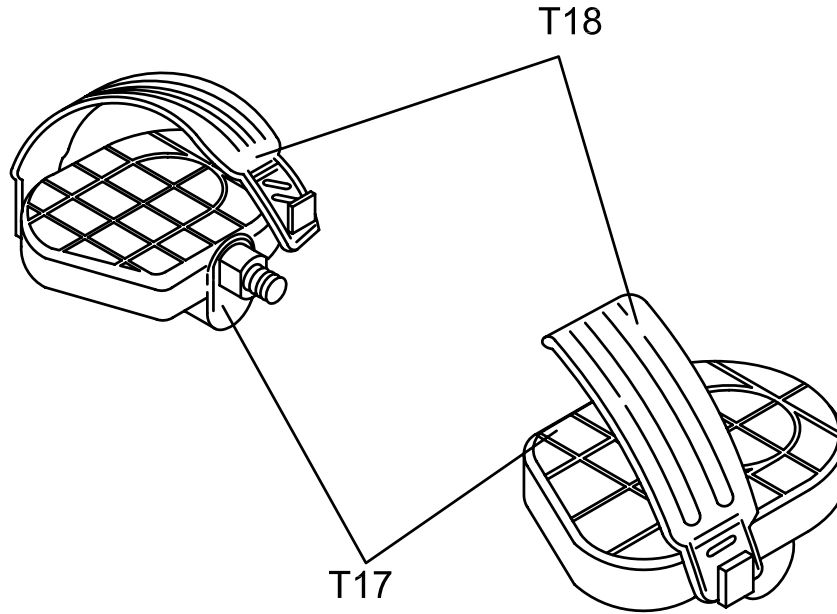




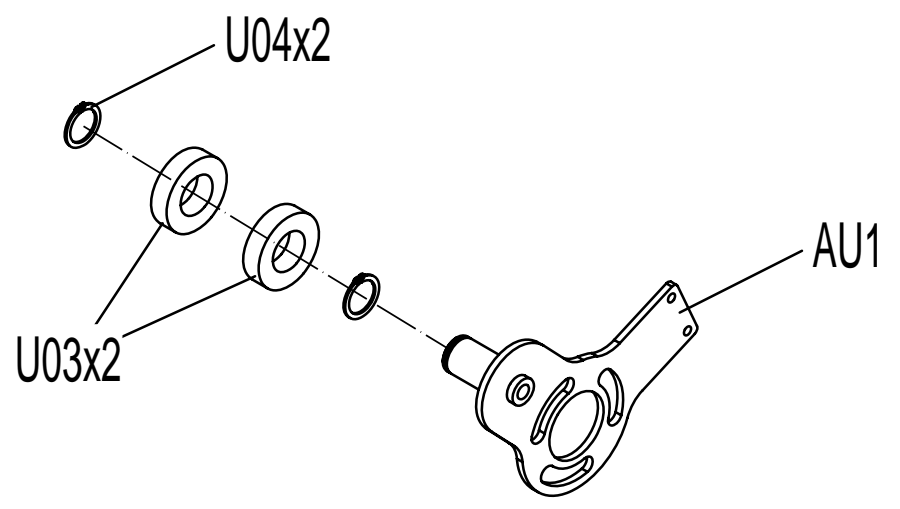
DRAWING NO	RB135-A33		
PART NAME	Pedal Principal Axis Set		
PART NO	1000112327	R ▼ A	A
APPROVE		DATE	2010.12.24



DRAWING NO	CB157-A15		
PART NAME	Foot Pedal Set		
PART NO	1000228989	R ▼	A
APPROVE		DATE	



DRAWING NO	RB135-A37		
PART NAME	Pressure Wheel Prop Piece Set		
PART NO	1000112331	REV	A
APPROVE		DATE	2010.12.24



DRAWING NO	CB158-A14		
PART NAME	Wheel Set		
PART NO	1000307634	REV	B
APPROVE		DATE	2013.05.28

