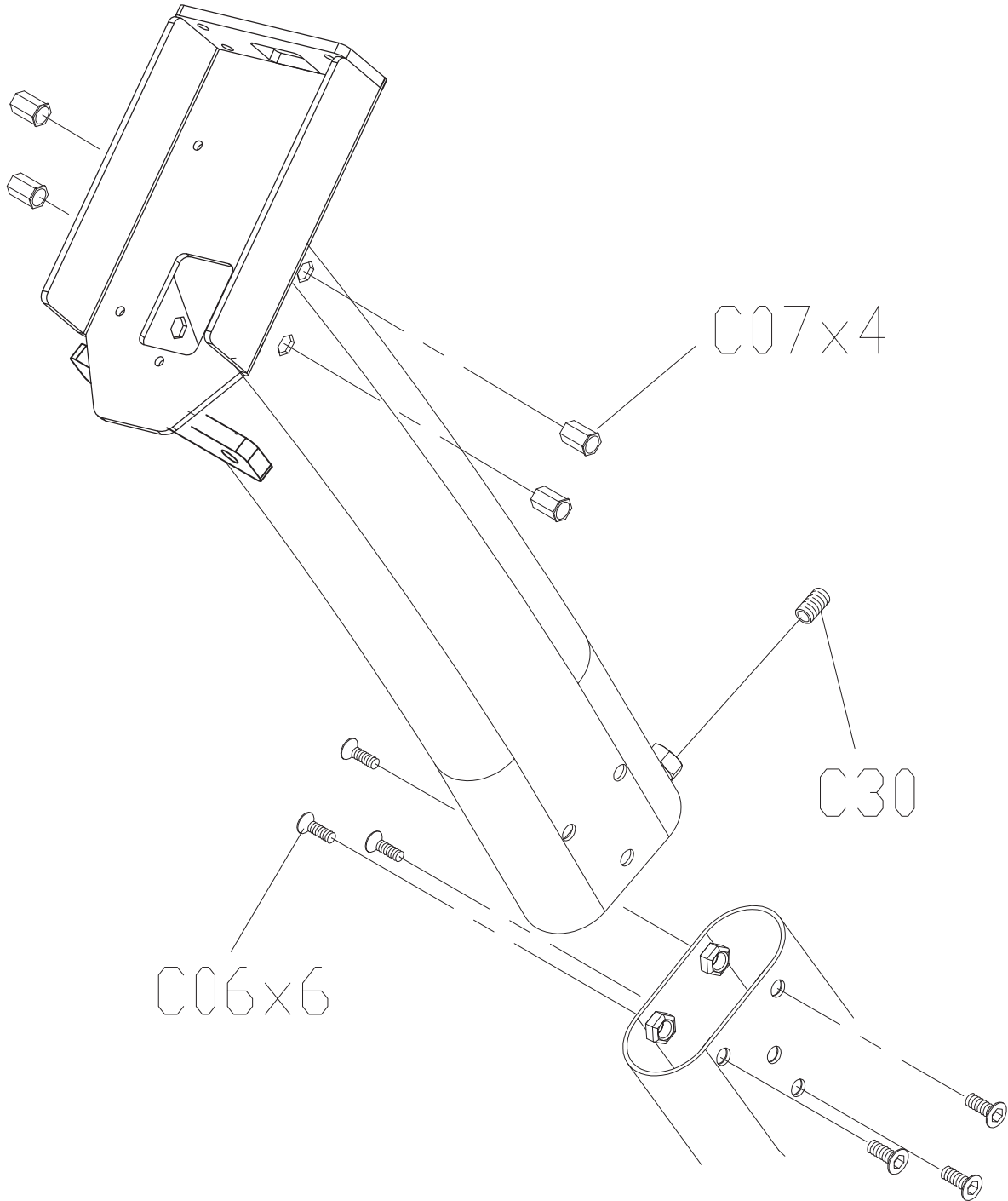


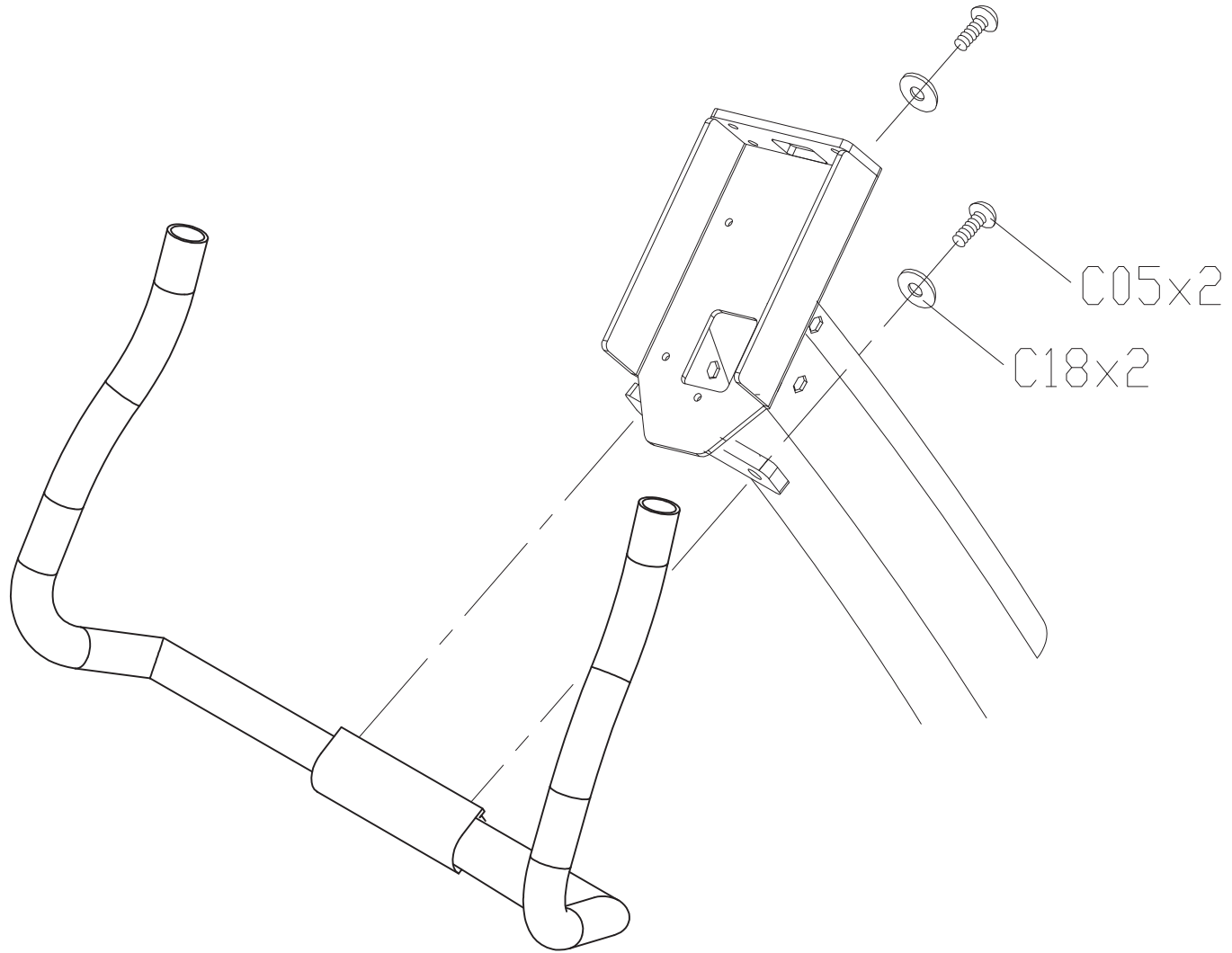
0000091185

TO TOP



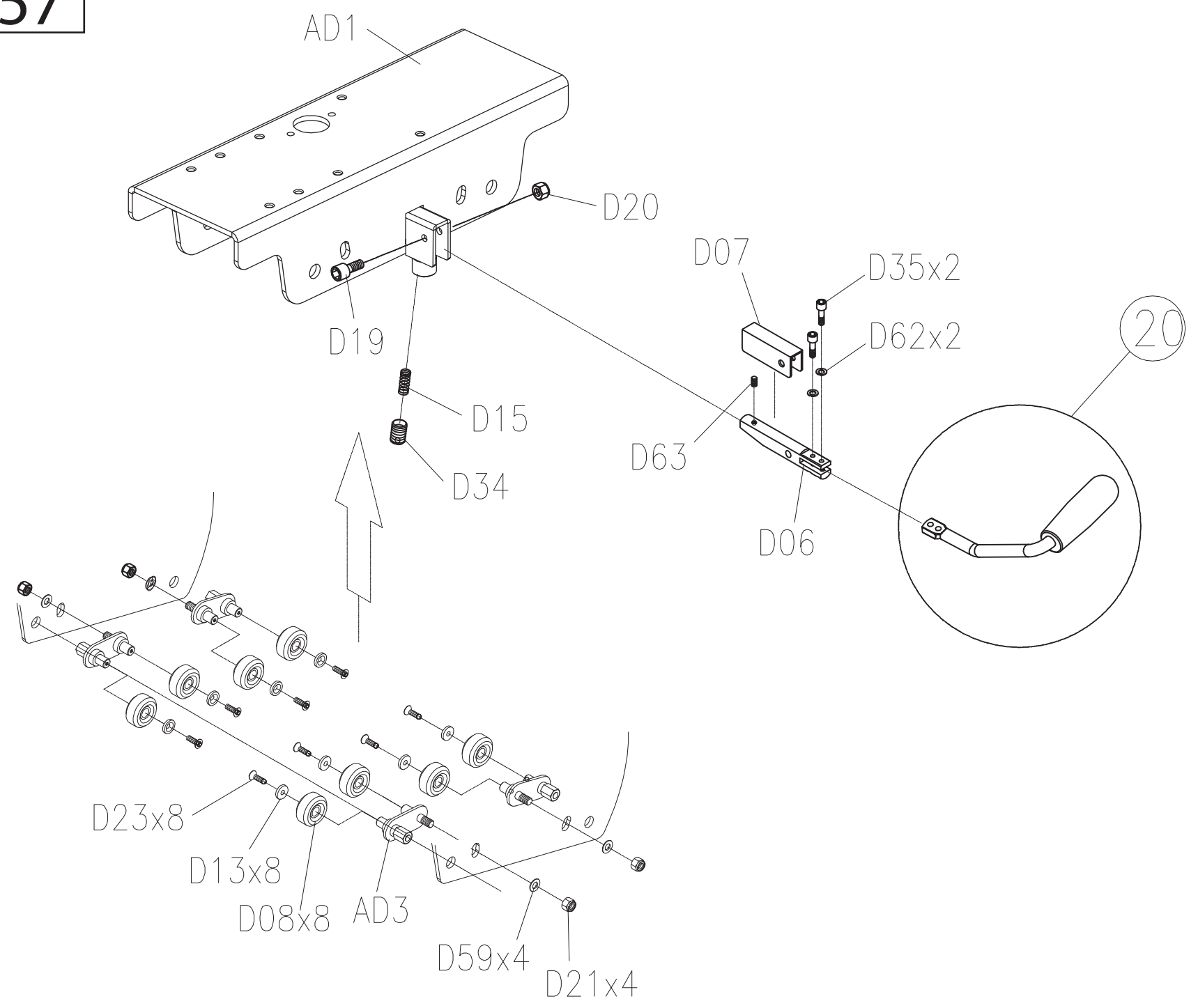
0000091189

TO TOP

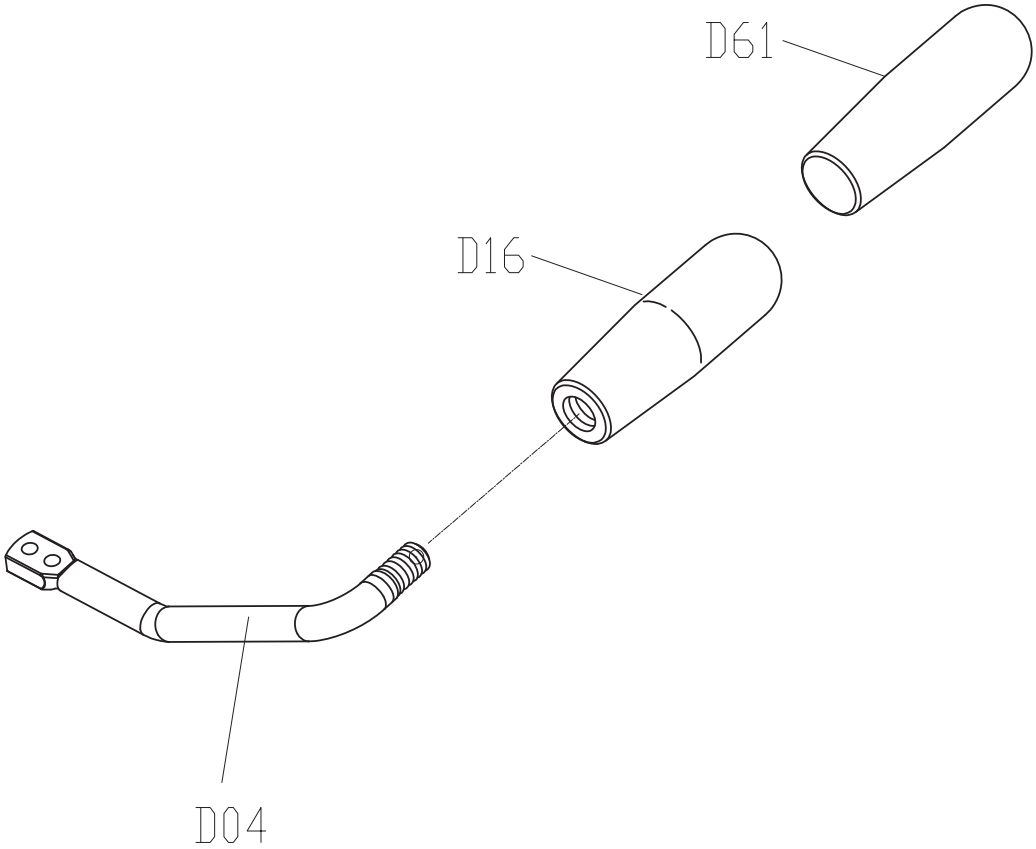


0000094557

TO TOP

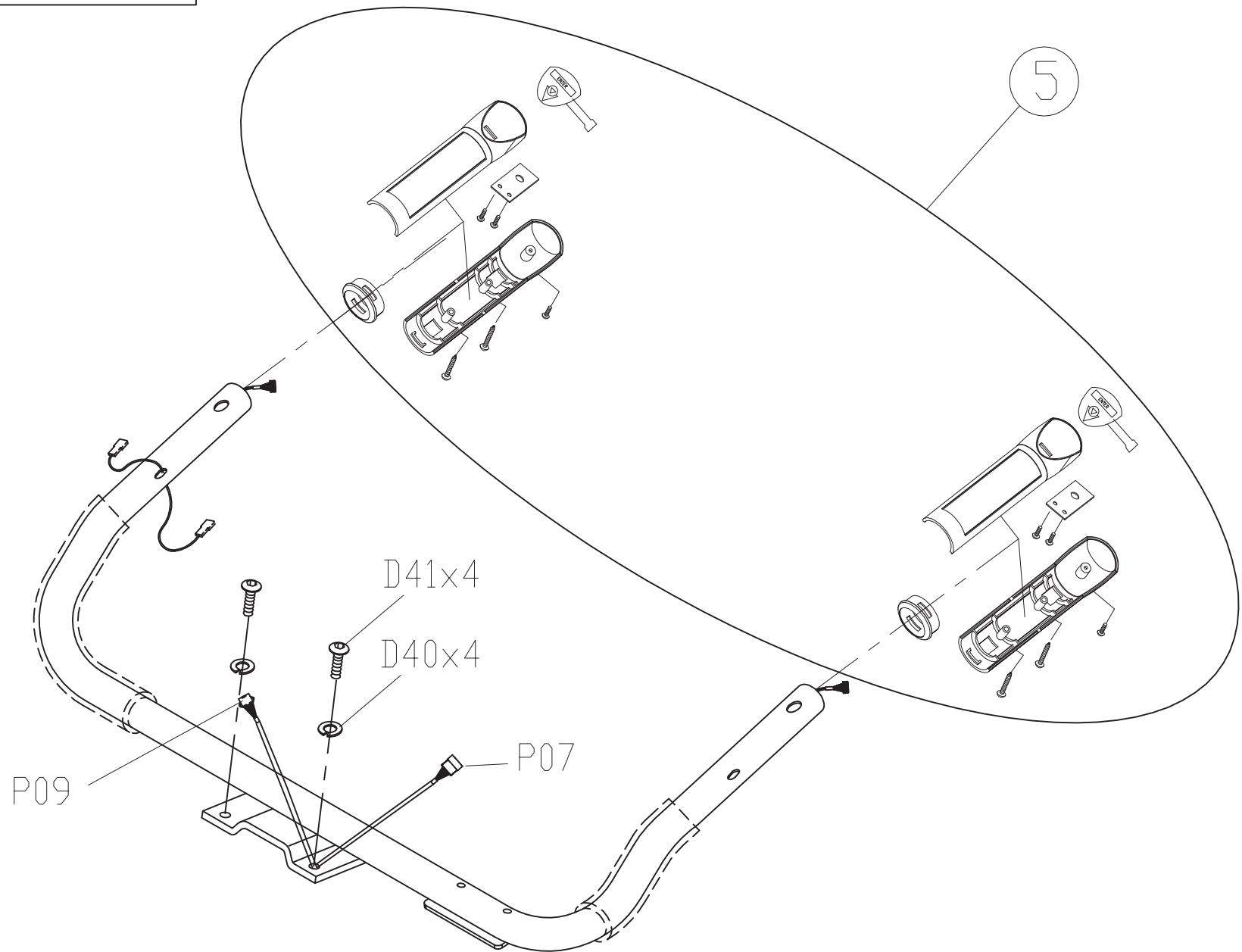


DRAWING NO	RB87B-AD5		
PART NAME	Adjustable Grip Set		
PART NO	0000094811		
APPROVE	SHUYI	DATE	041511



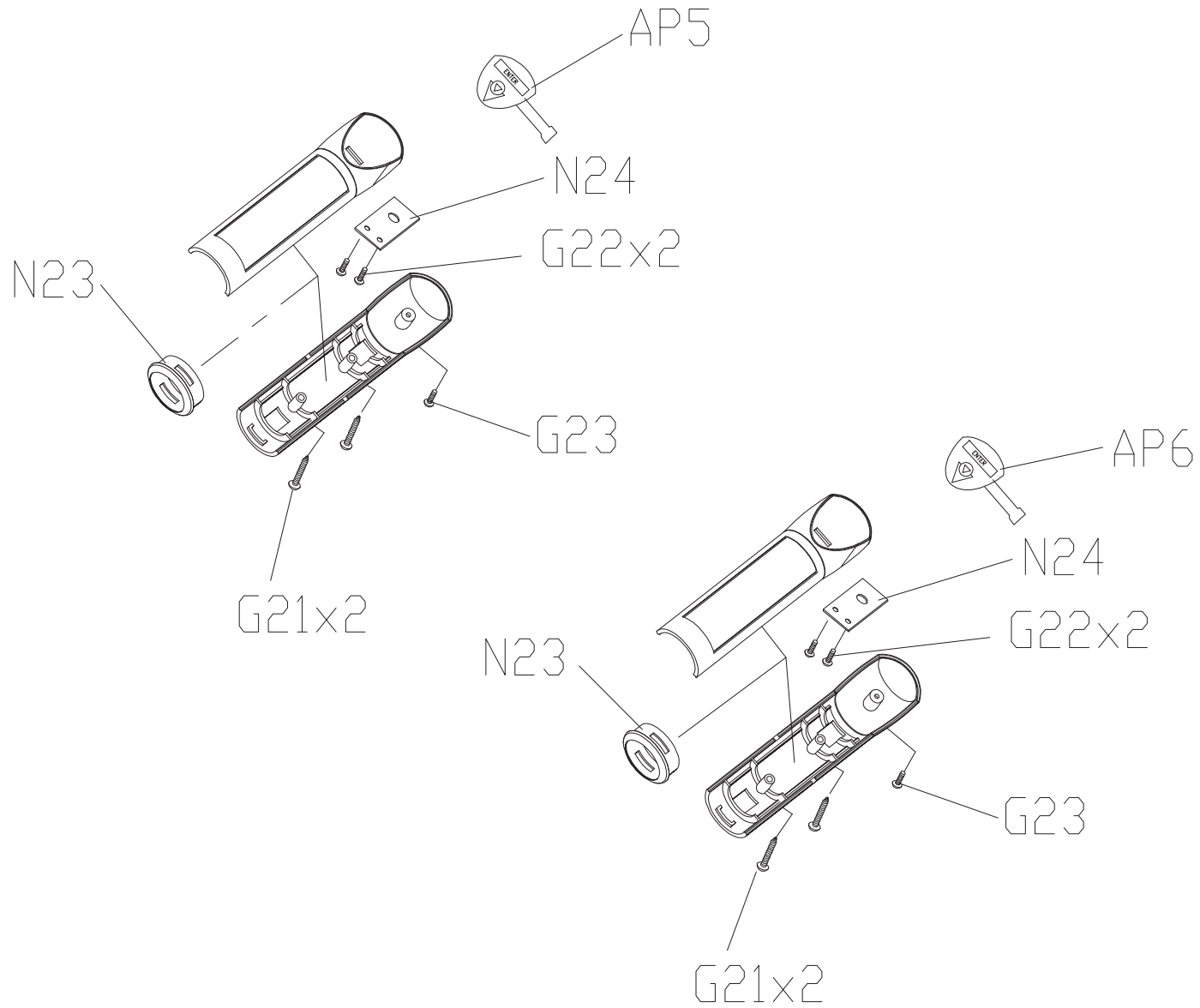
0000091191

TO TOP



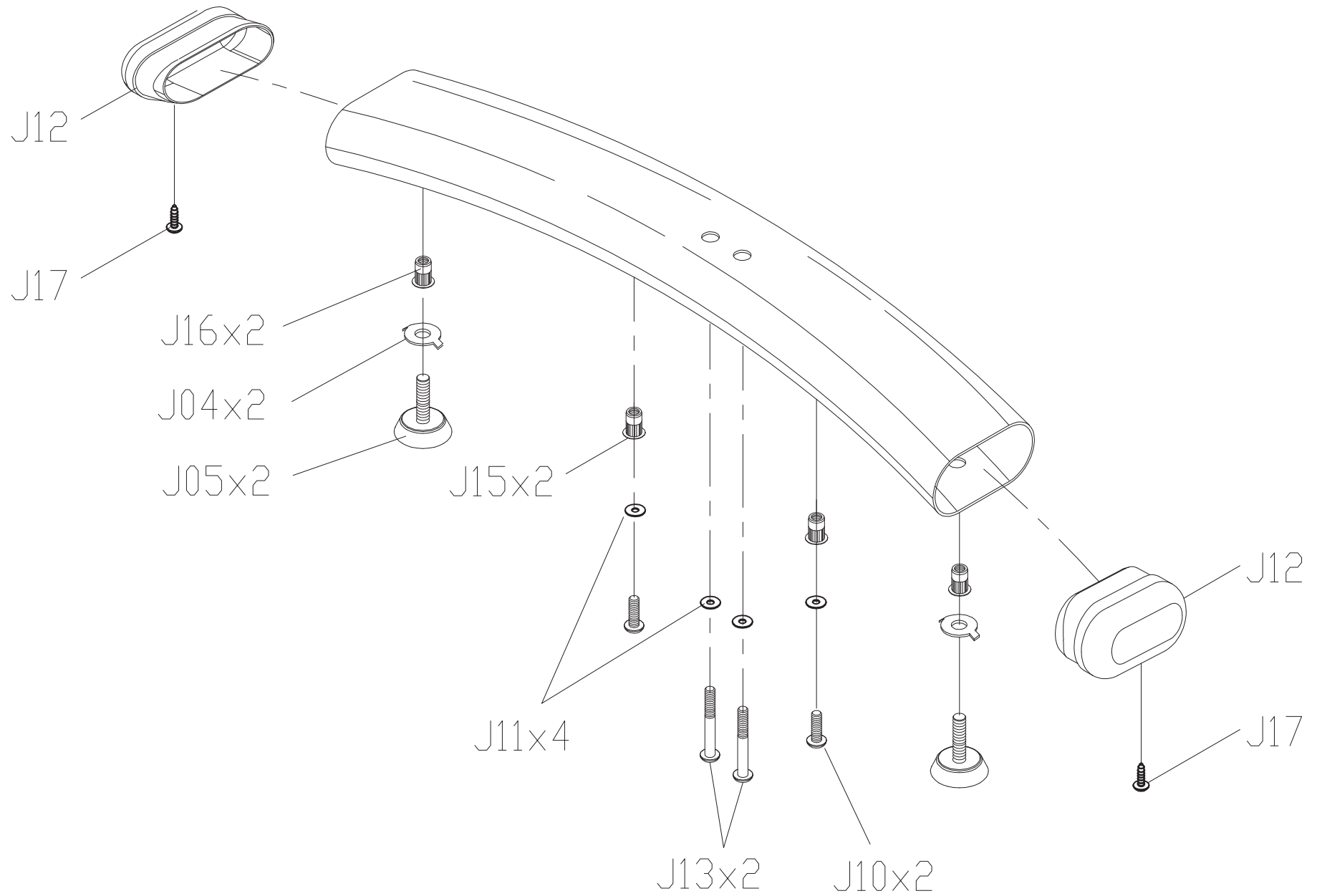
0000094548

TOTOP



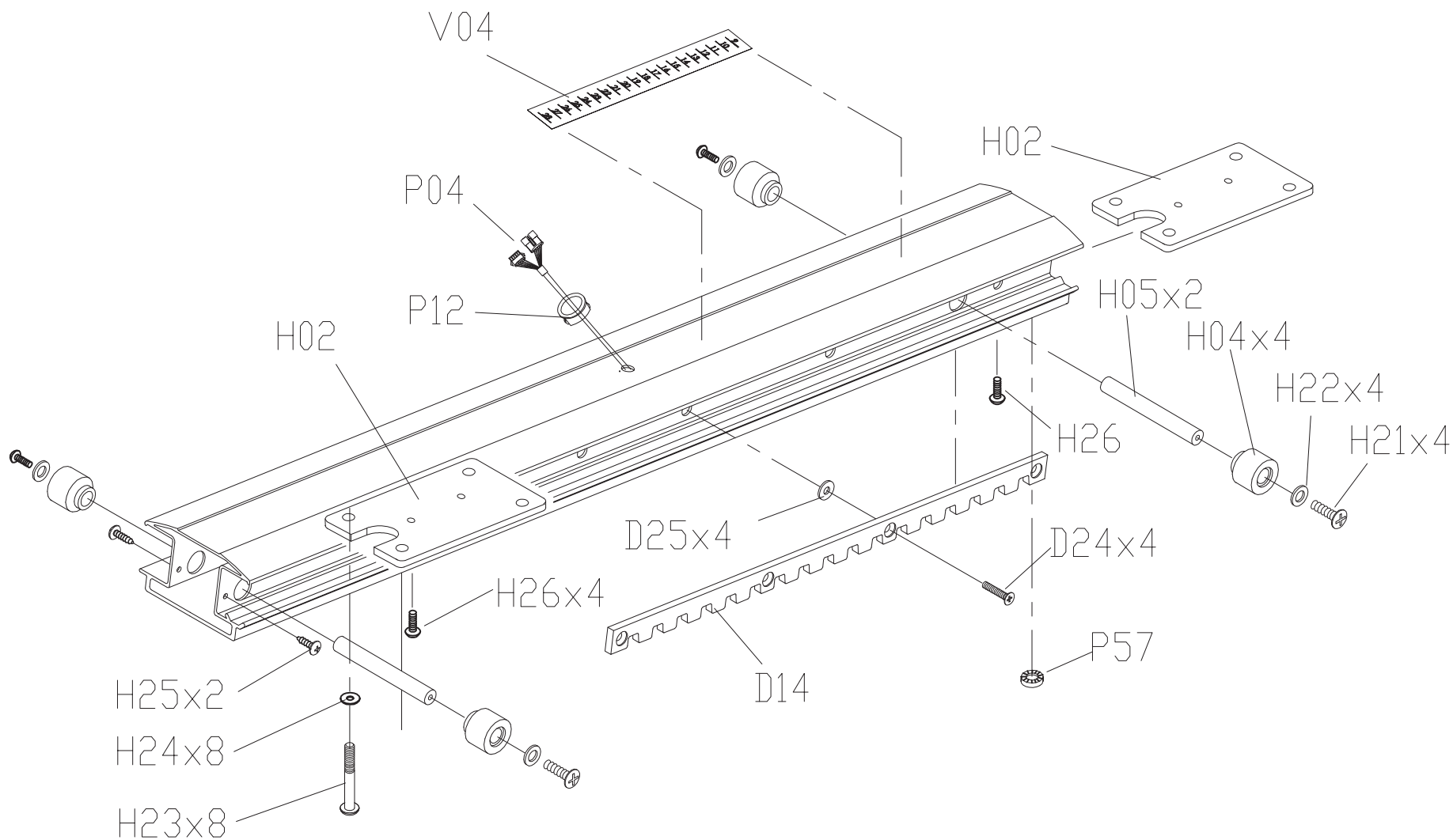
0000091192

TO TOP



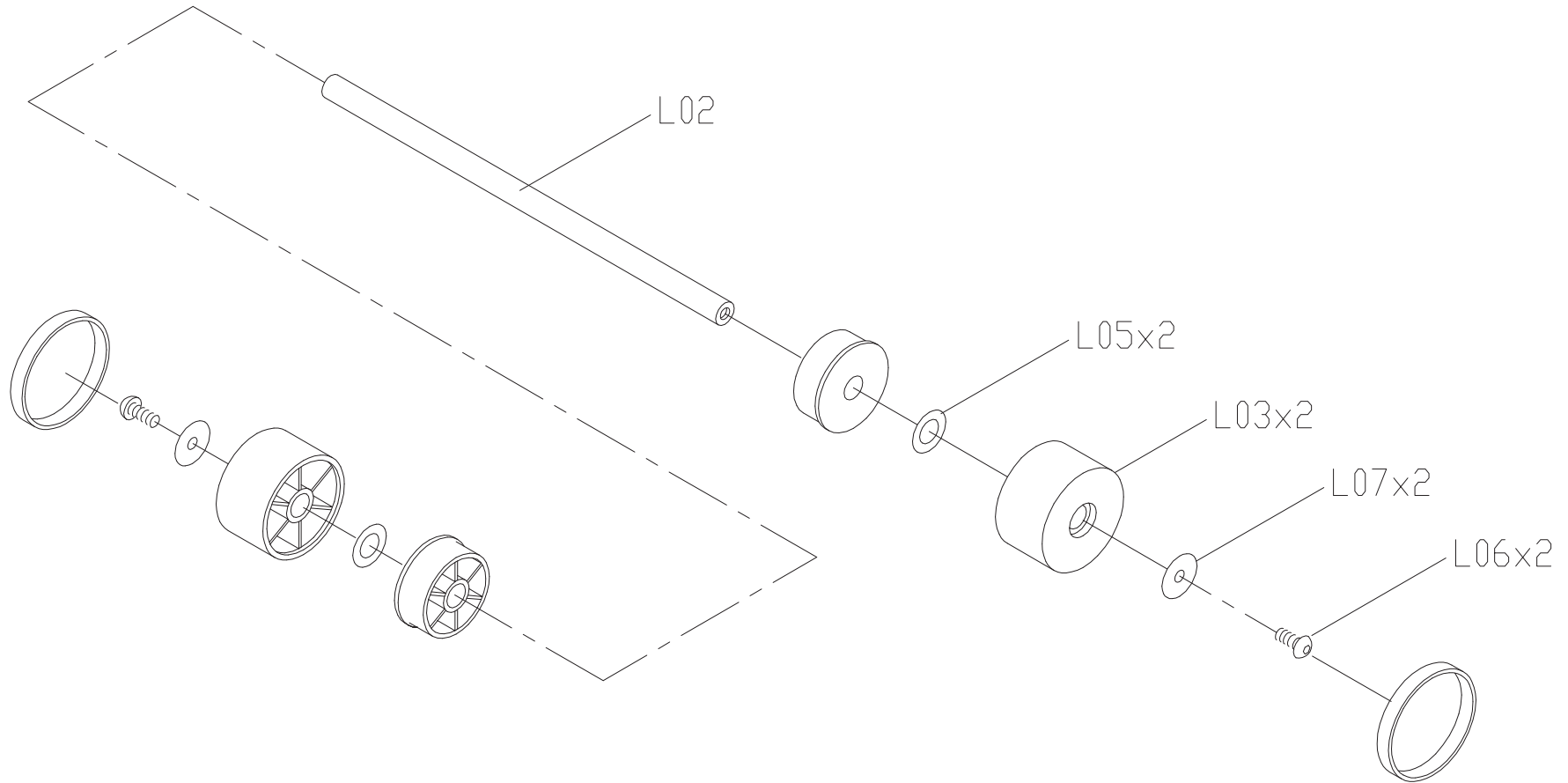
0000091195

TO TOP



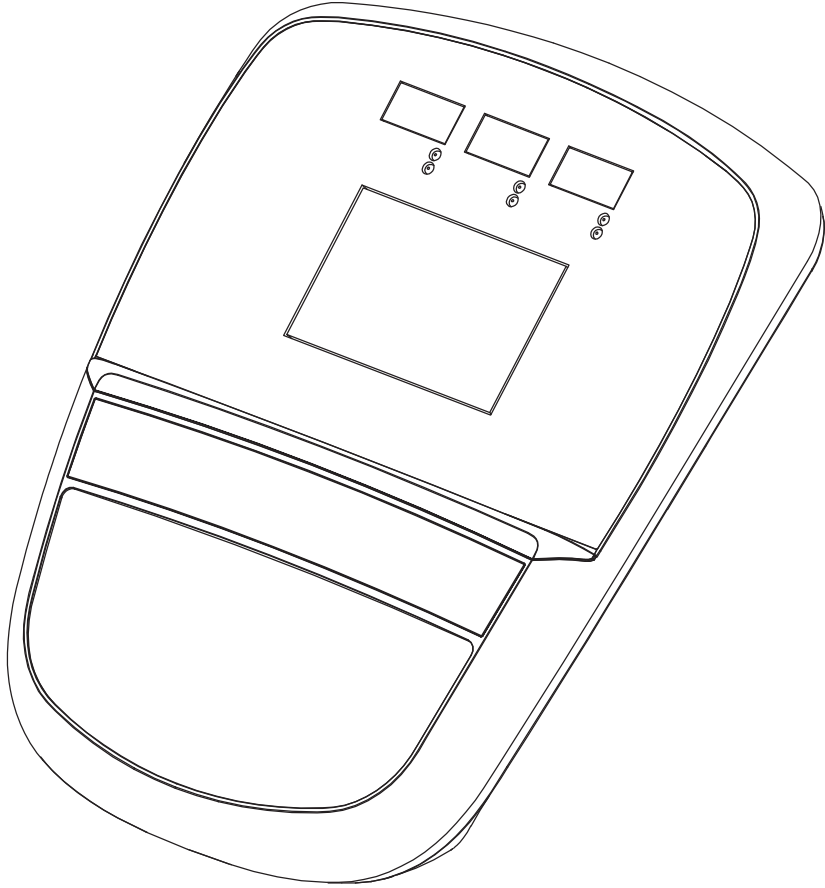
012216-00

TO TOP



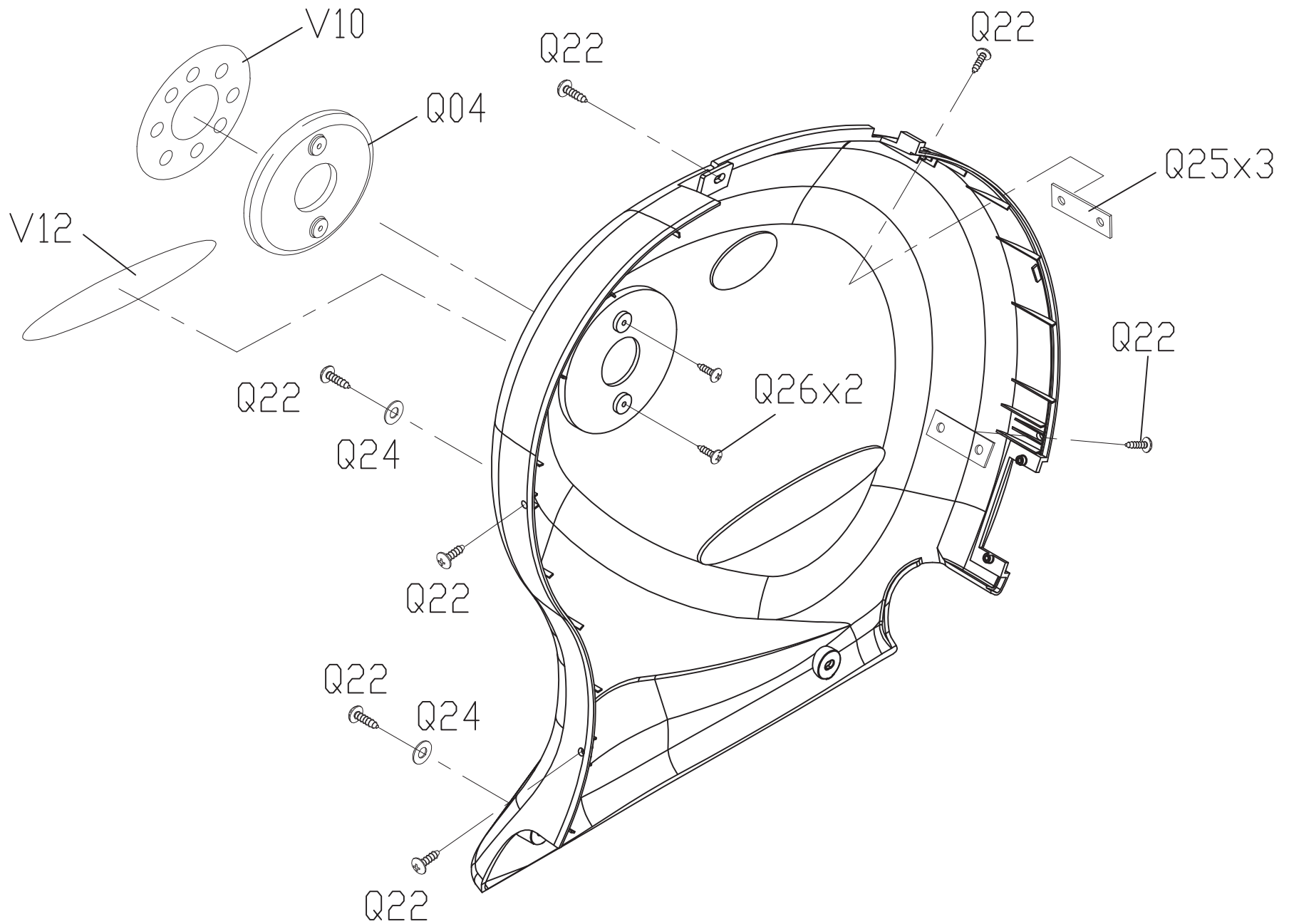
0000091155

TOTOP



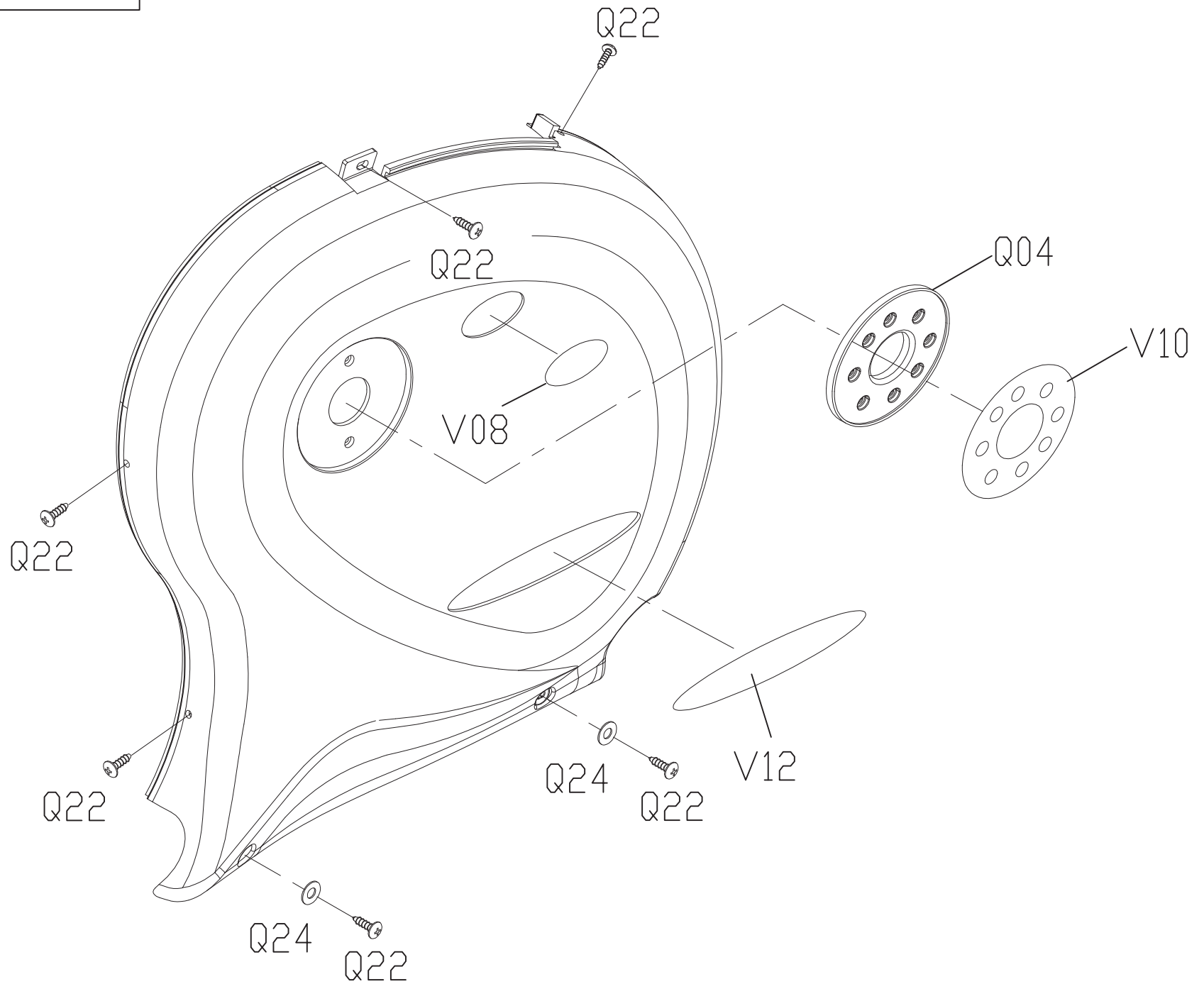
0000091202

TO TOP



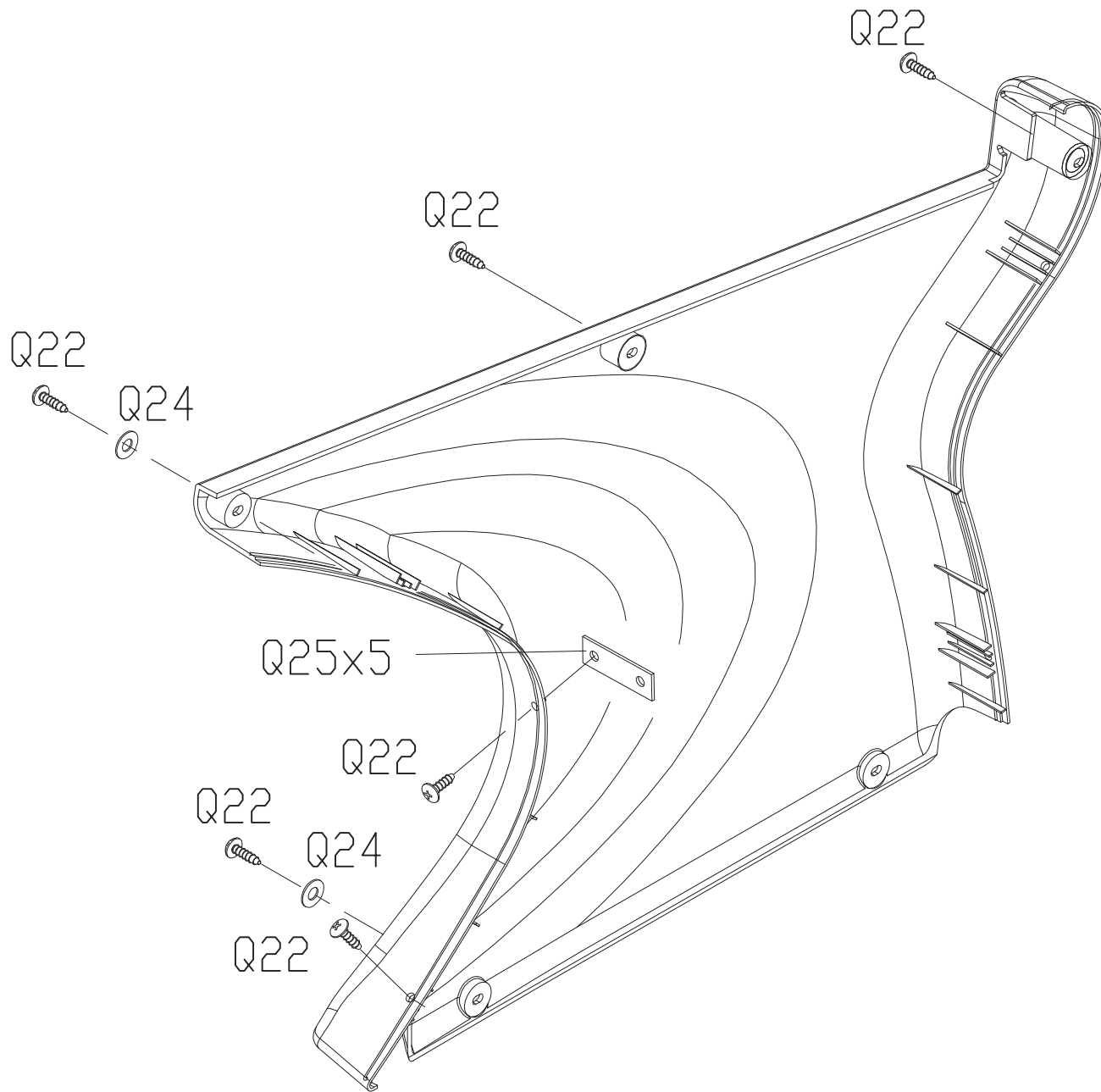
0000091203

TOTOP



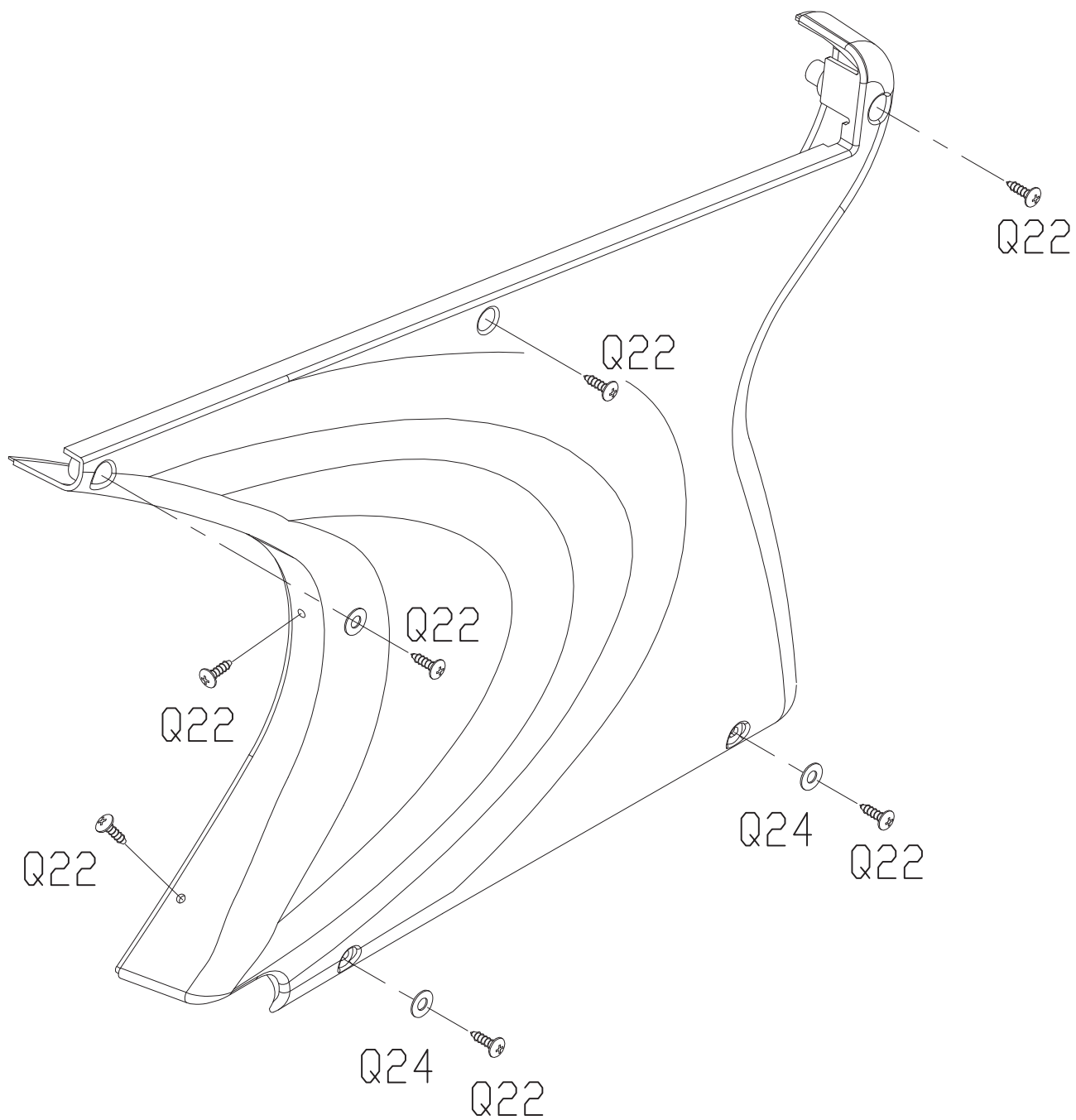
0000094550

TO TOP



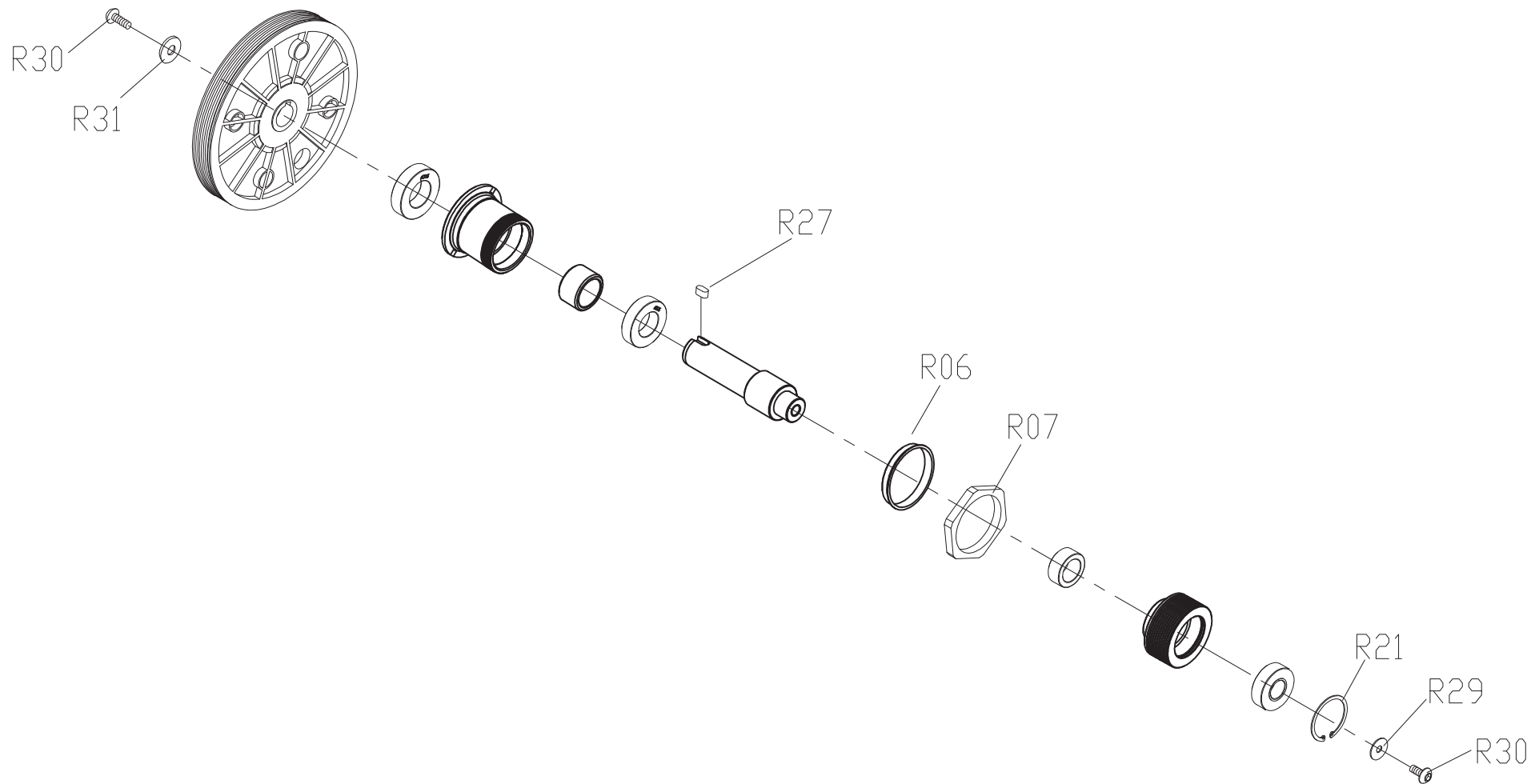
0000094551

TO TOP



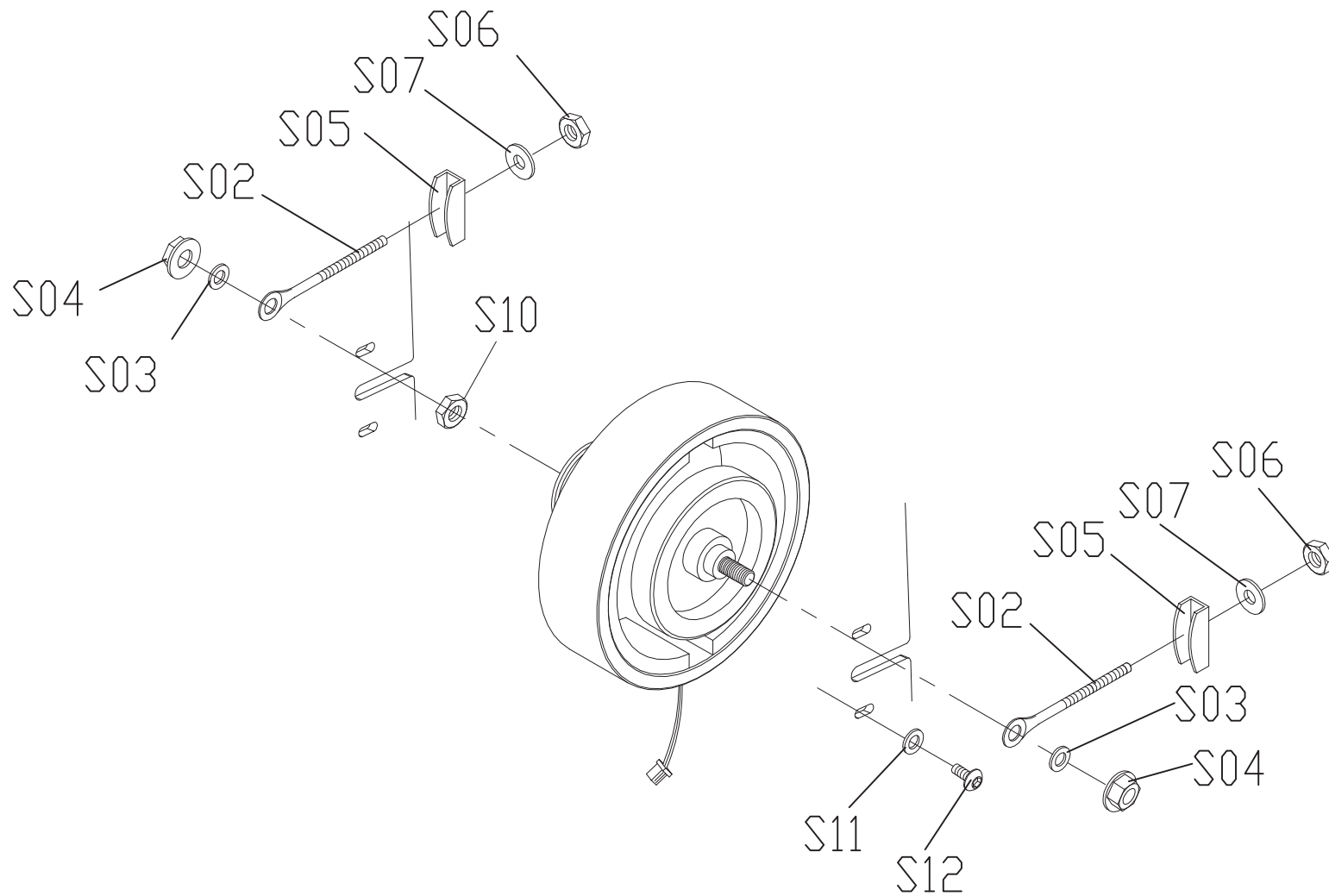
0000091205

TO TOP



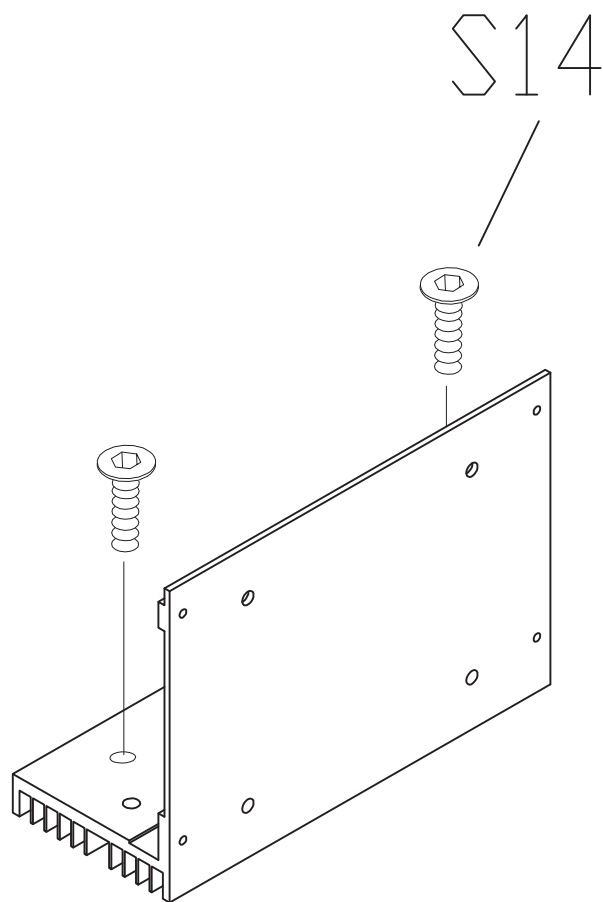
0000094552

TOTOP



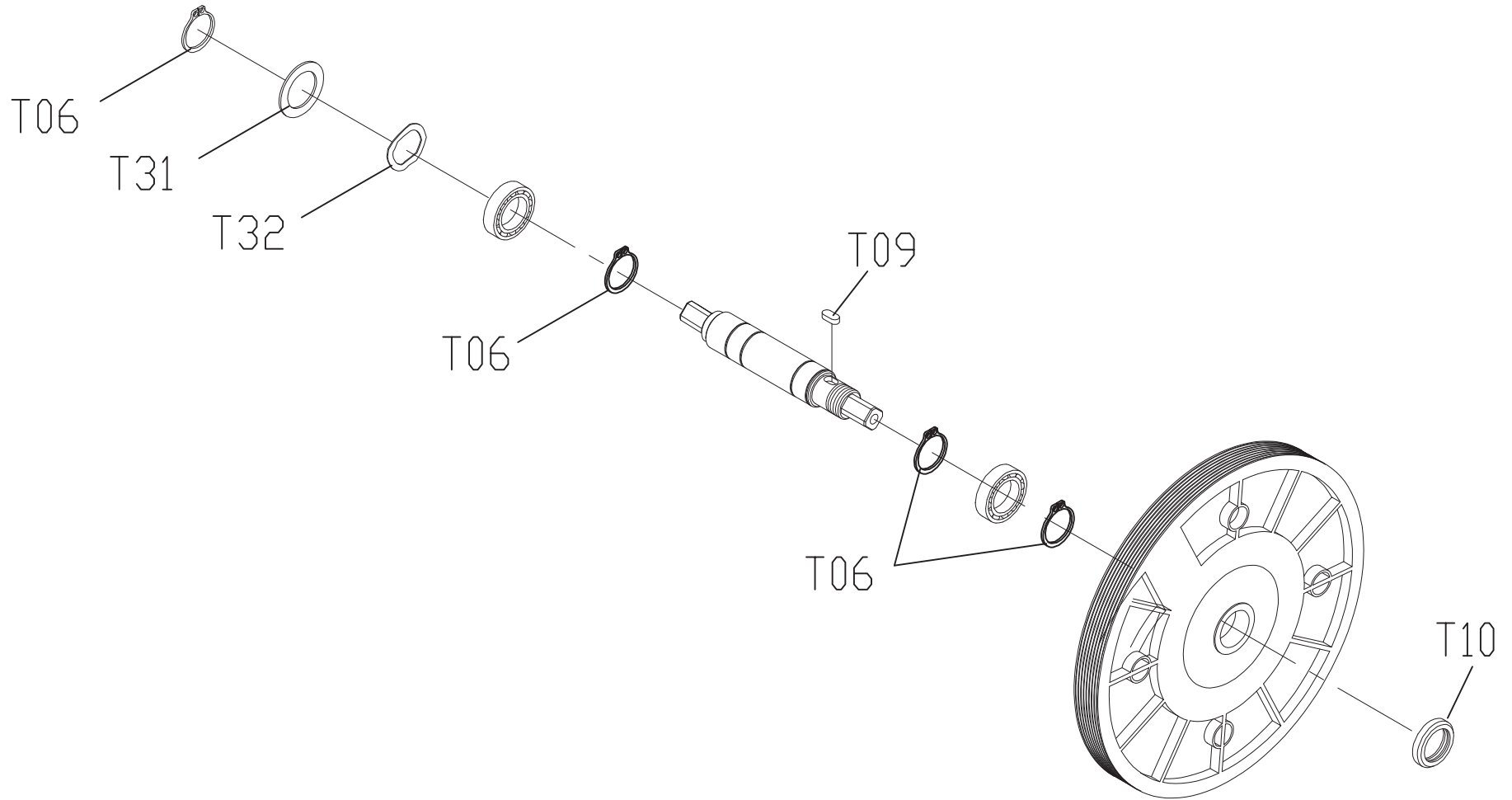
0000094553

TO TOP



0000091207

TO TOP



0000091209

TO TOP

