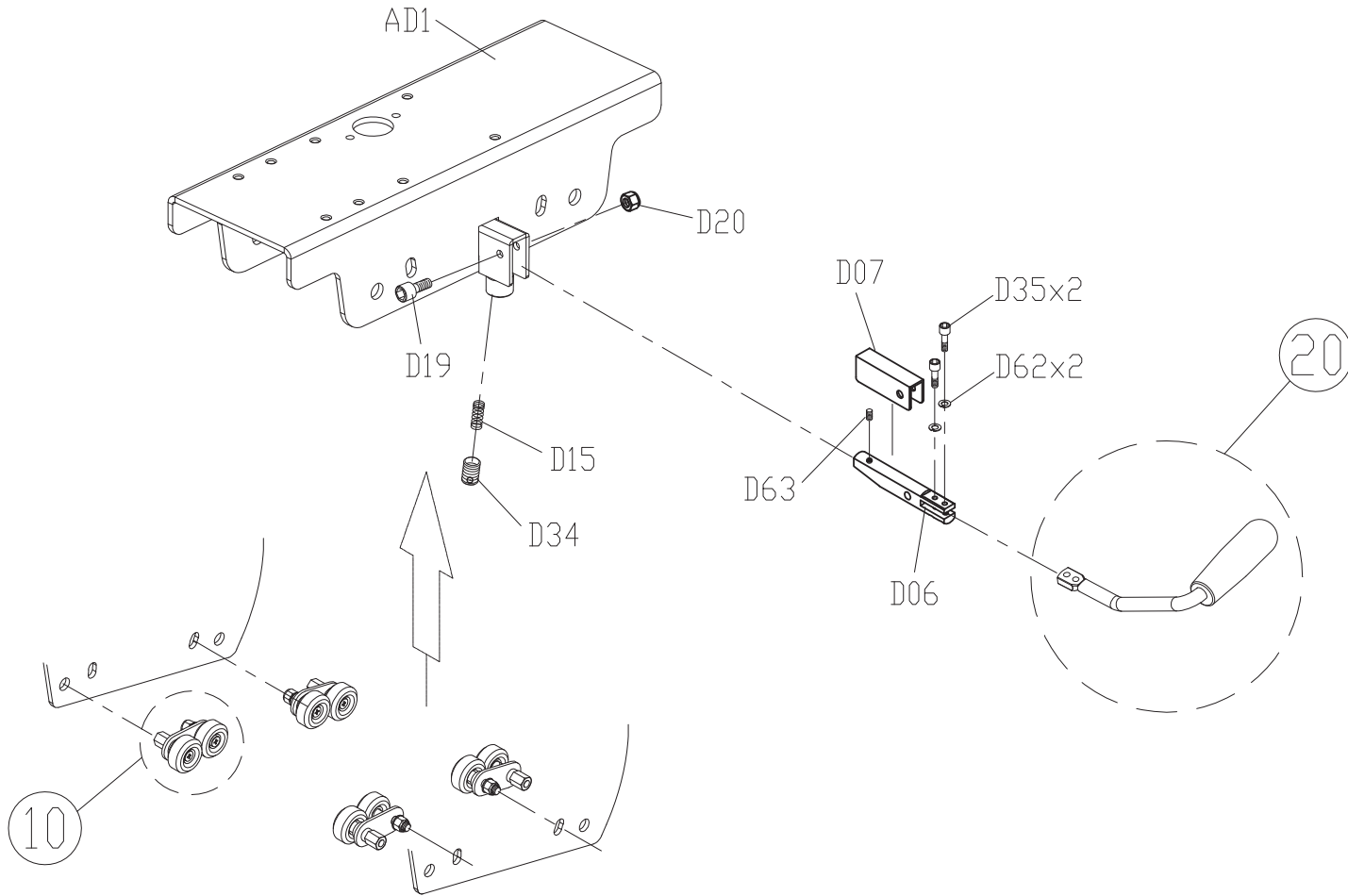
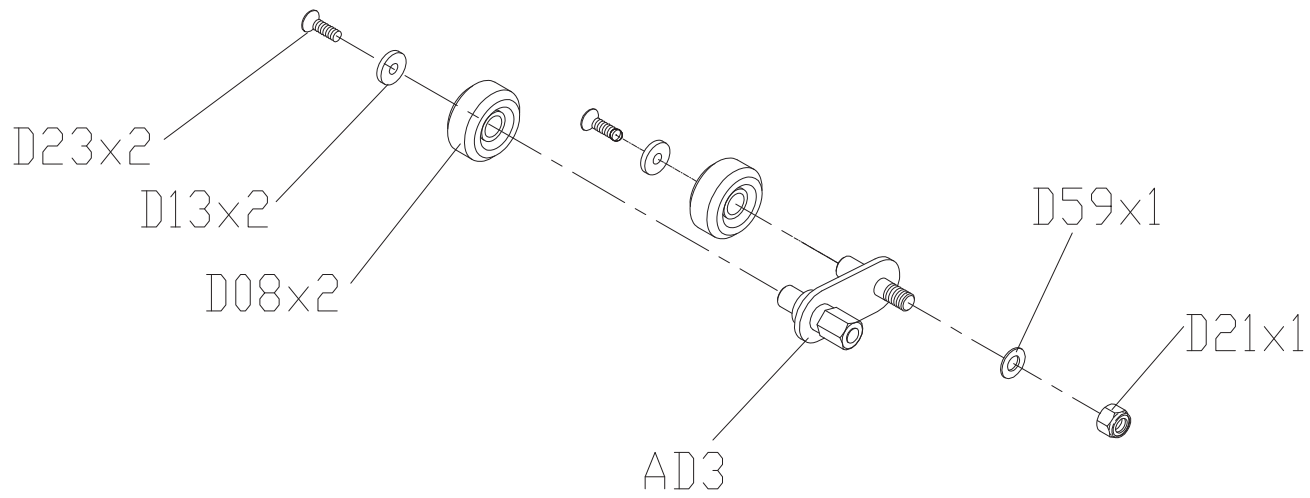


DRAWING NO	RB87C-AD4		
PART NAME	Seat Slide Set		
PART NO	As Attachment		
APPROVE	SHUYI	DATE	052812

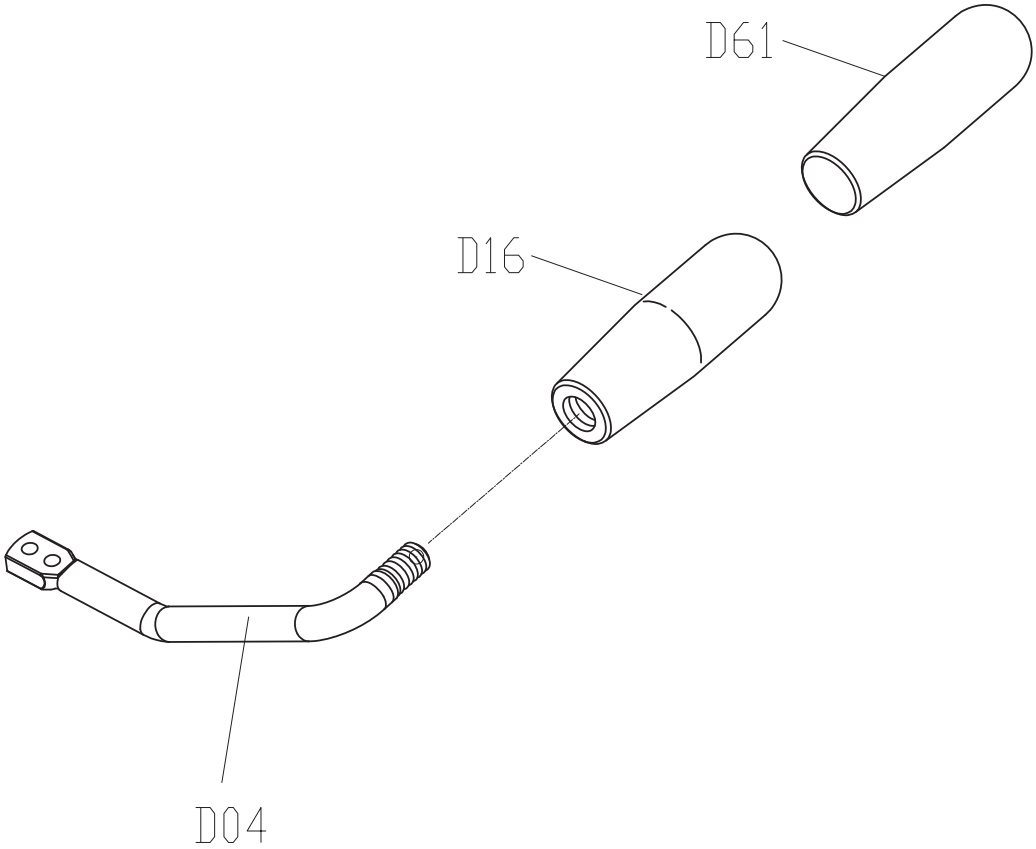
Part NO	Description
0000094557	Seat Slide Set;R70-01
1000230538	Seat Slide Set;R70-02



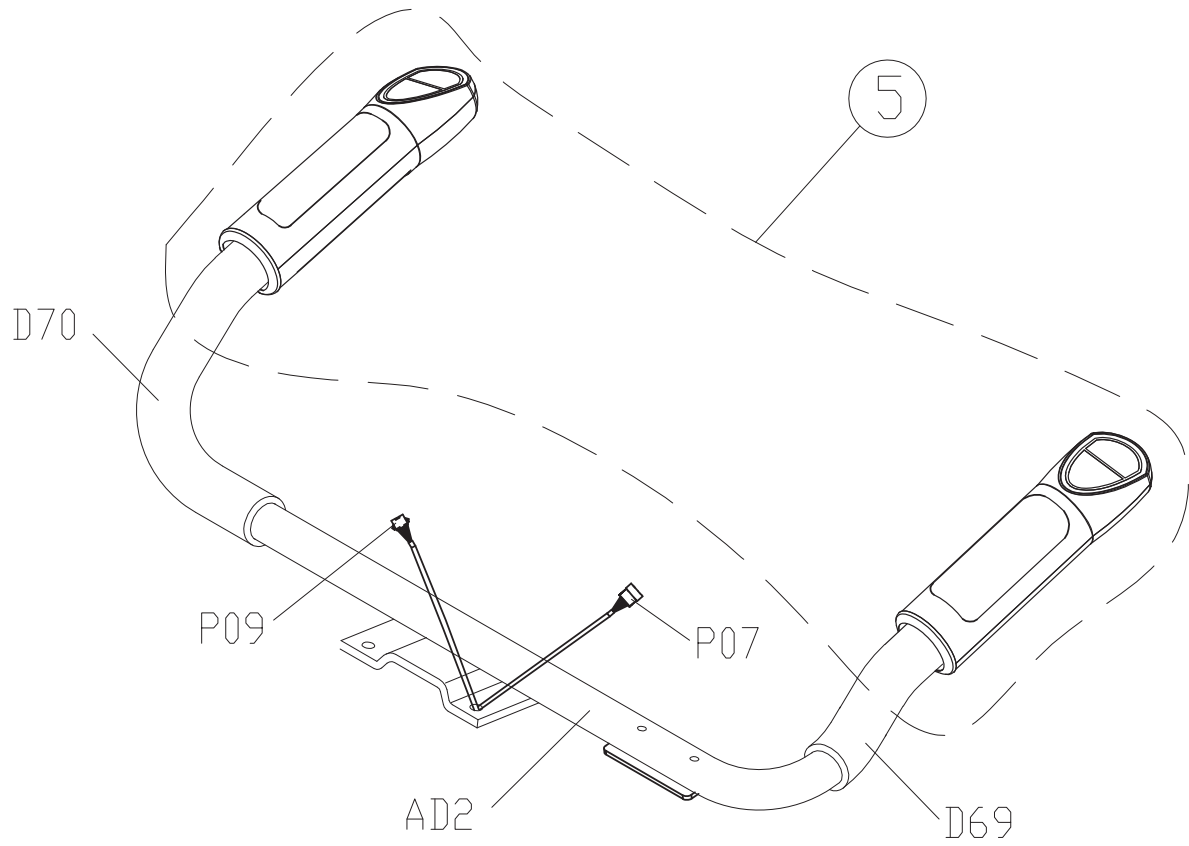
DRAWING NO	RB87C-AD16		
PART NAME	Roller Set;Seat		
PART NO	1000233085		
APPROVE	SHUYI	DATE	052812



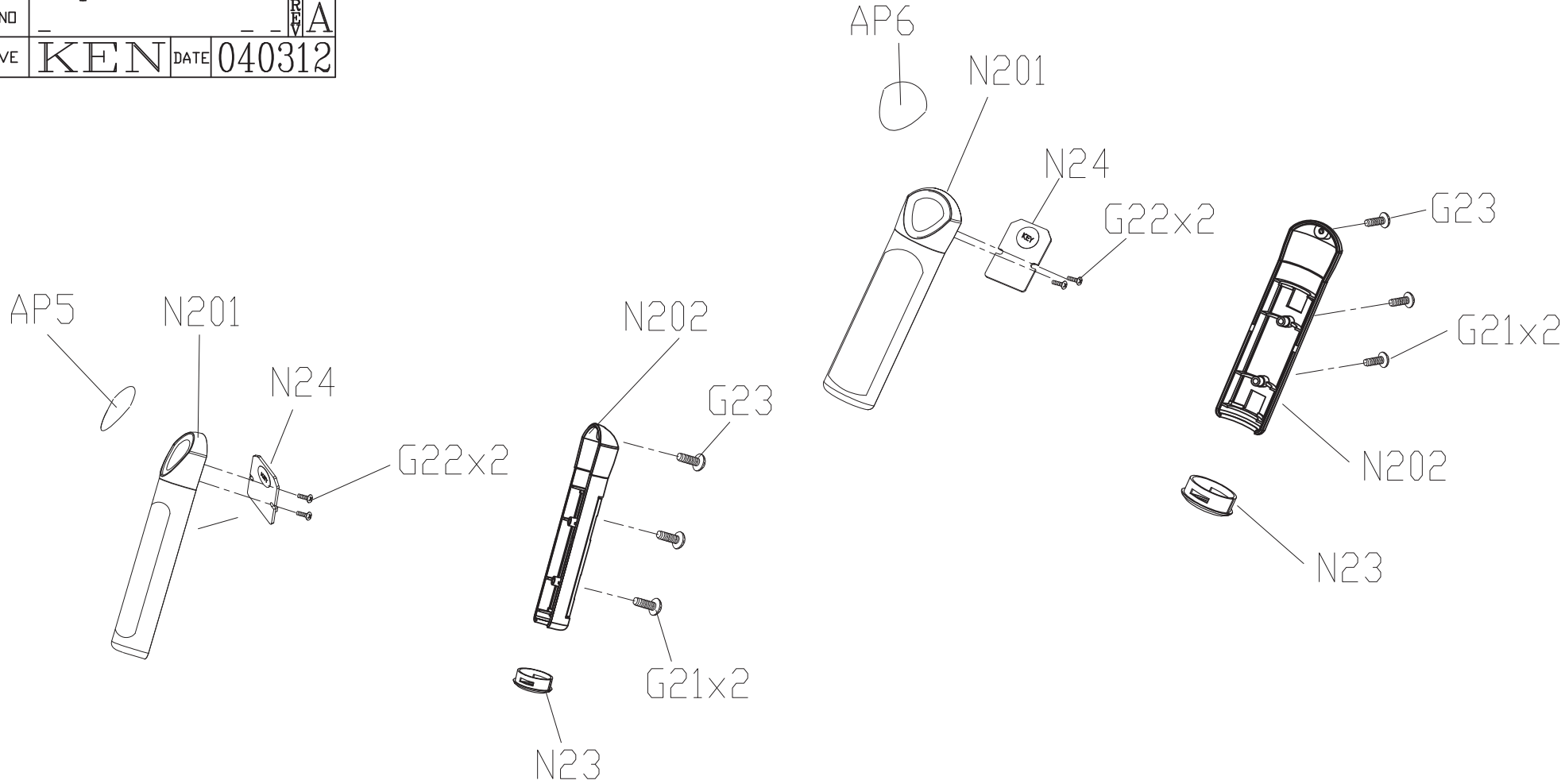
DRAWING NO	RB87B-AD5		
PART NAME	Adjustable Grip Set		
PART NO	0000094811 <small>REV</small> A		
APPROVE	SHUYI	DATE	041511



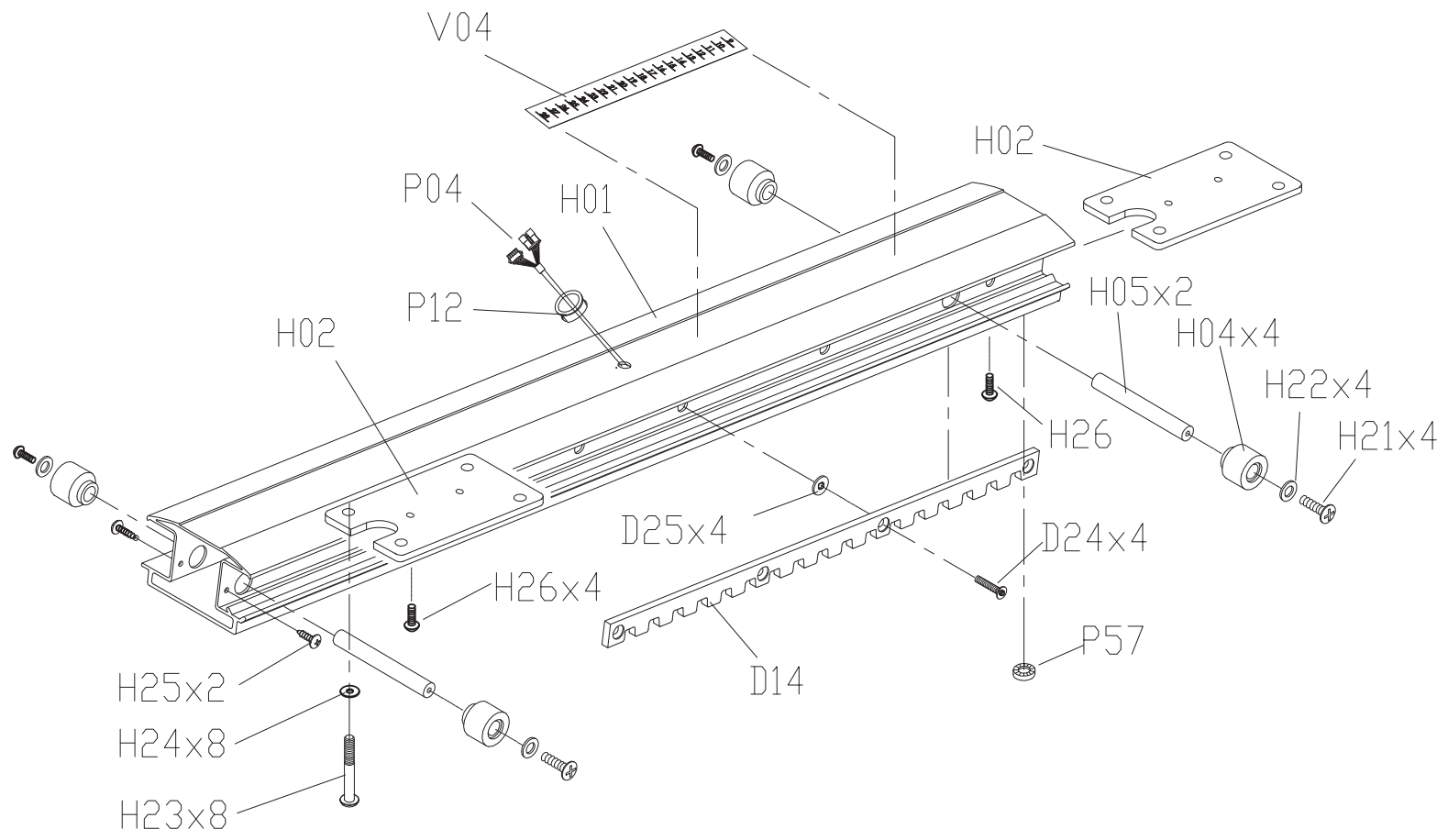
DRAWING NO	RB87C-AD10		
PART NAME	Seat Handlebar Set		
PART NO	1000230511	REV	A
APPROVE	KEN	DATE	040312



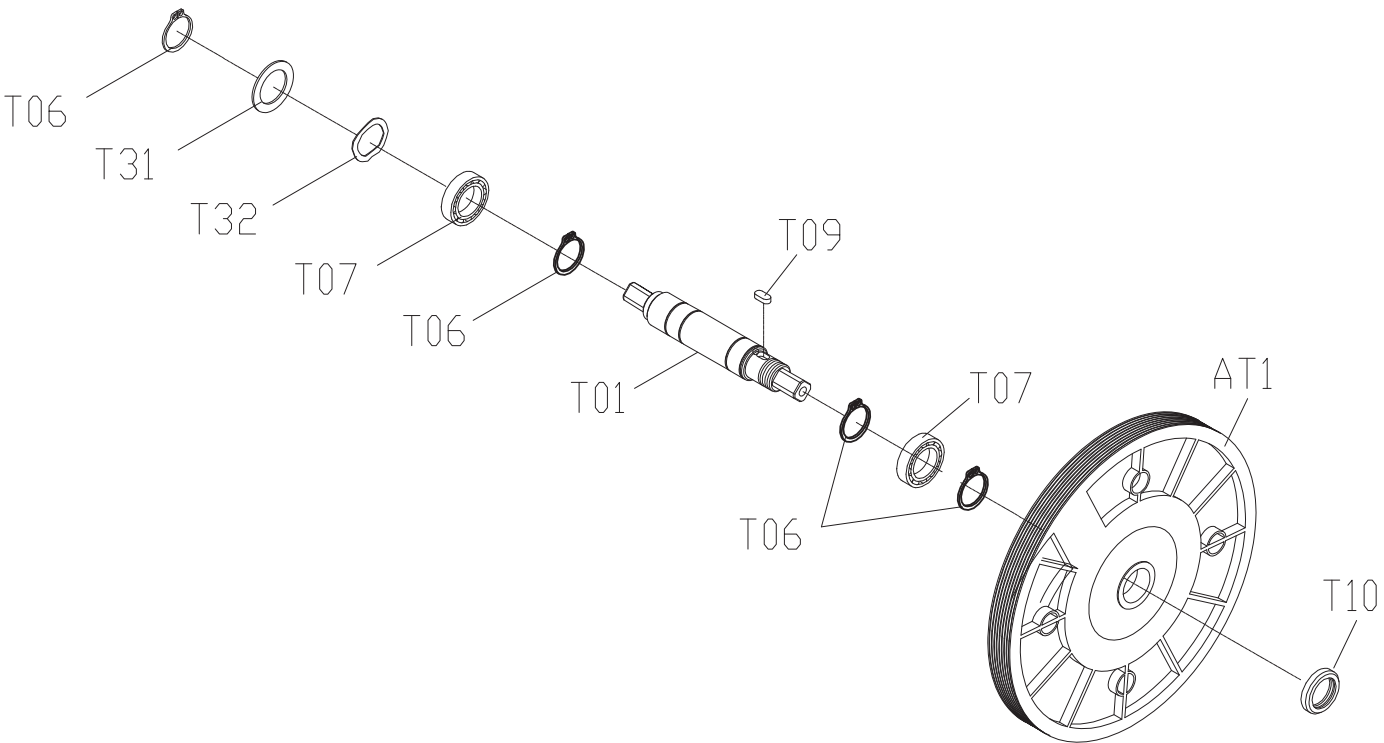
DRAWING NO	RB87C-AD12		
PART NAME	Grip Set;Sensor;Left		
PART NO	- - - REV A		
APPROVE	KEN	DATE	040312



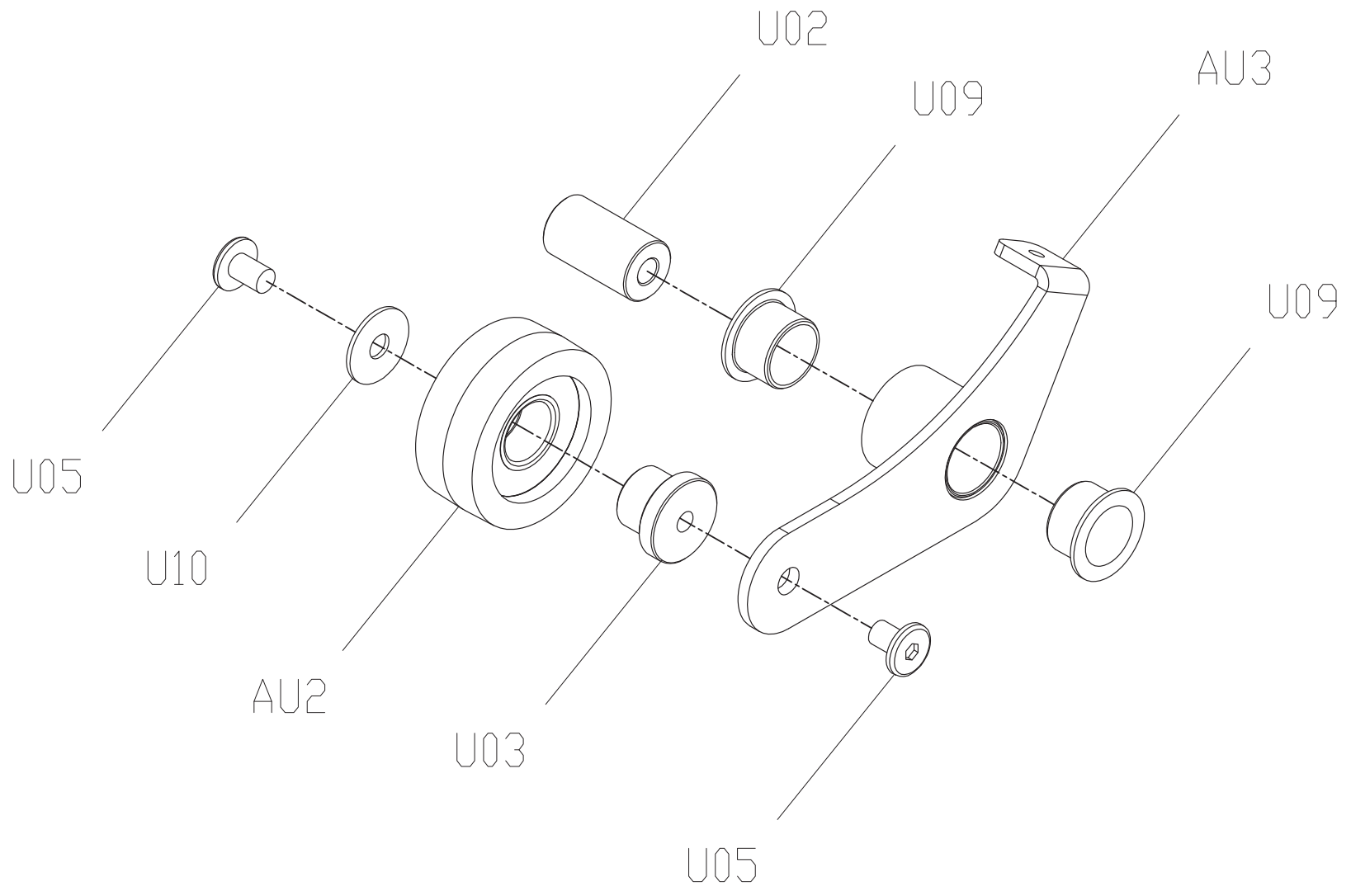
DRAWING NO	RB87C-AH1		
PART NAME	Guid Rail Set		
PART NO	1000230730	REV	A
APPROVE	KEN	DATE	040312



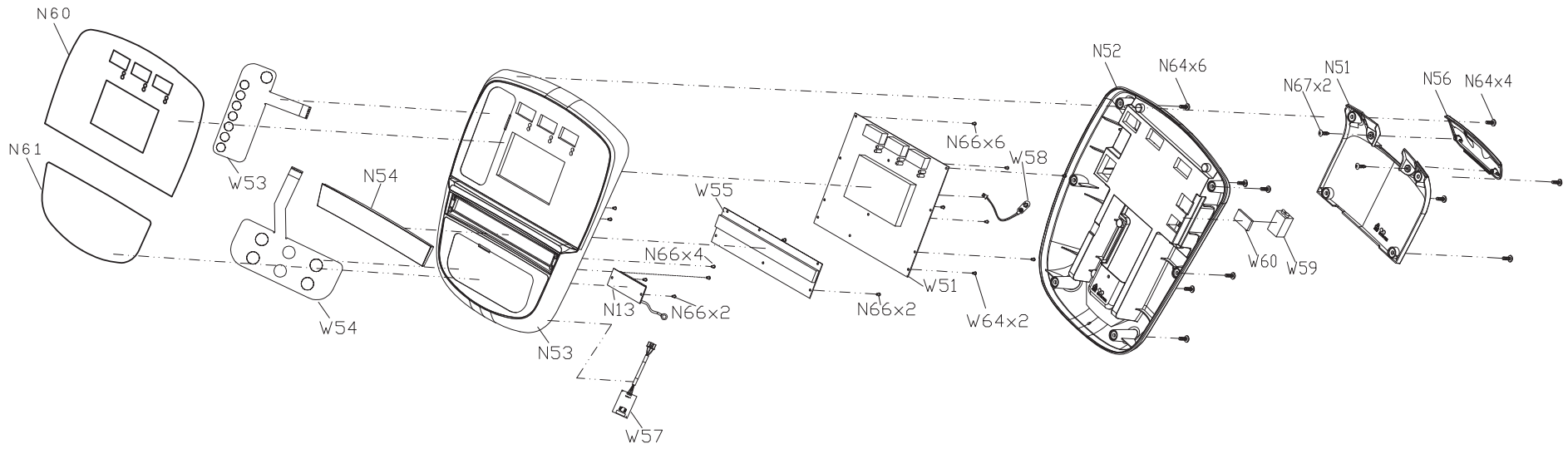
DRAWING NO	RB87B-AT2		
PART NAME	Pulley Set		
PART NO	0000091207		
APPROVE	SHUYI	DATE	041511



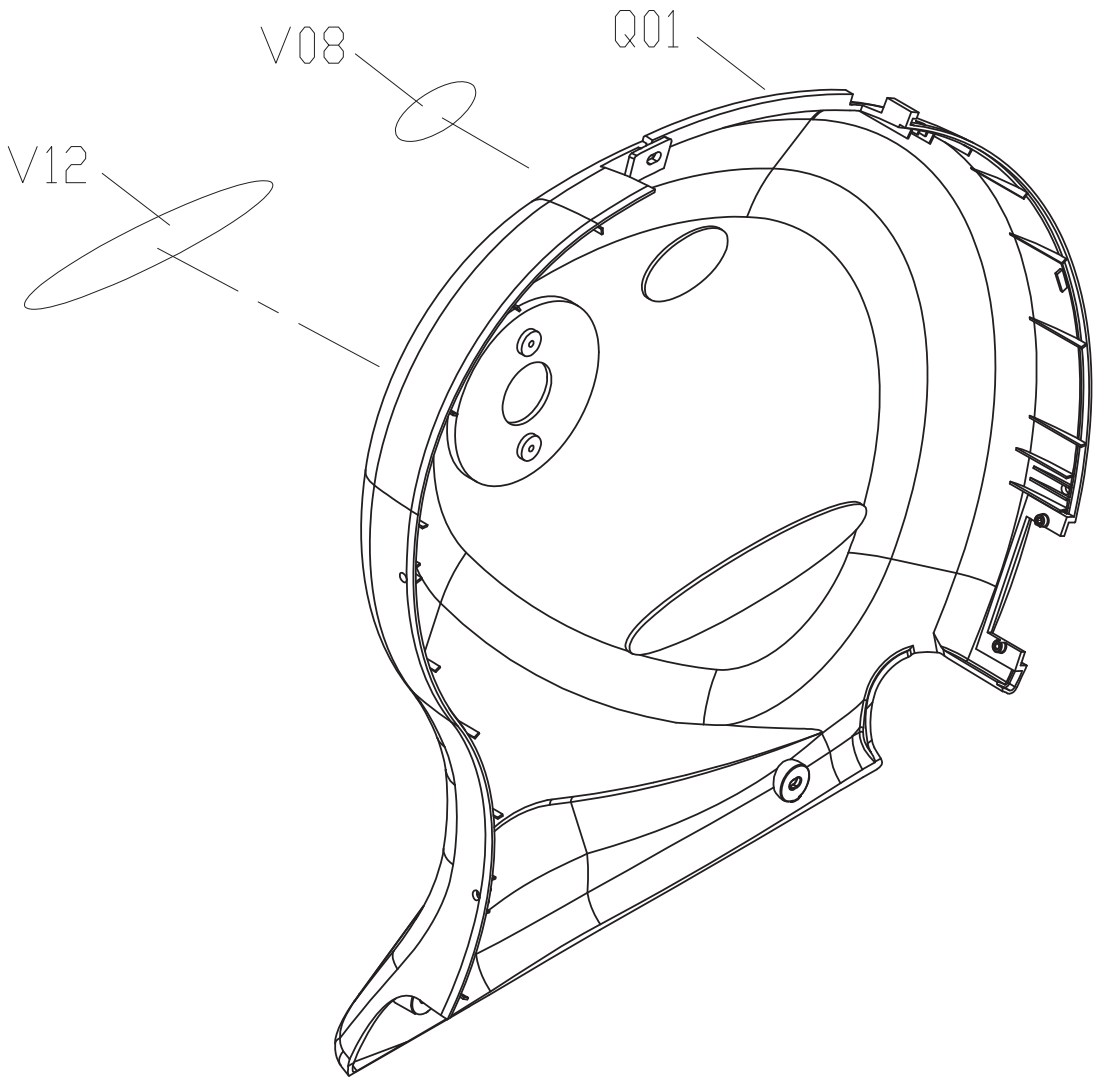
DRAWING NO	CB91-AU11		
PART NAME	Idler Set		
PART NO	1000211867	REV	B
APPROVE	JOHNNY	DATE	081111



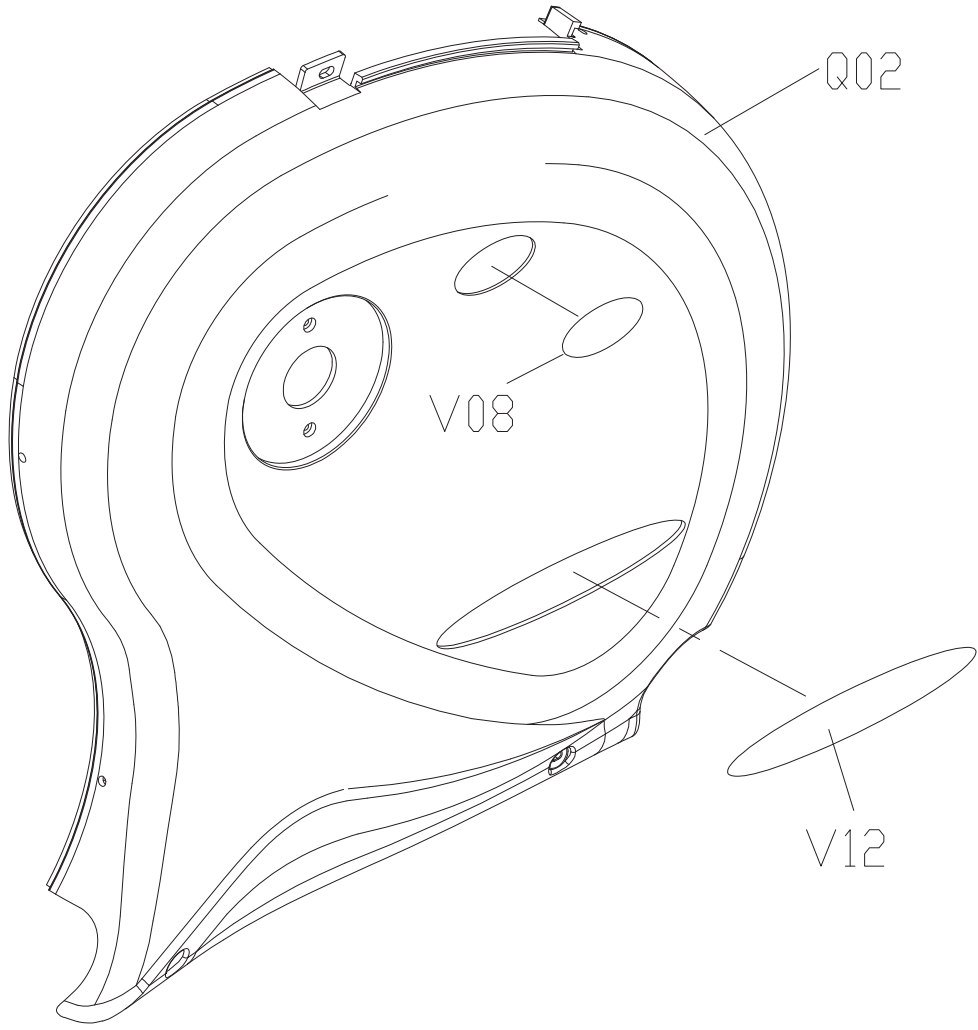
DRAWING NO	EP615-AN11		
PART NAME	CONSOLE SET		
PART NO	1000230054  A		
APPROVE	GINGO	DATE	041712



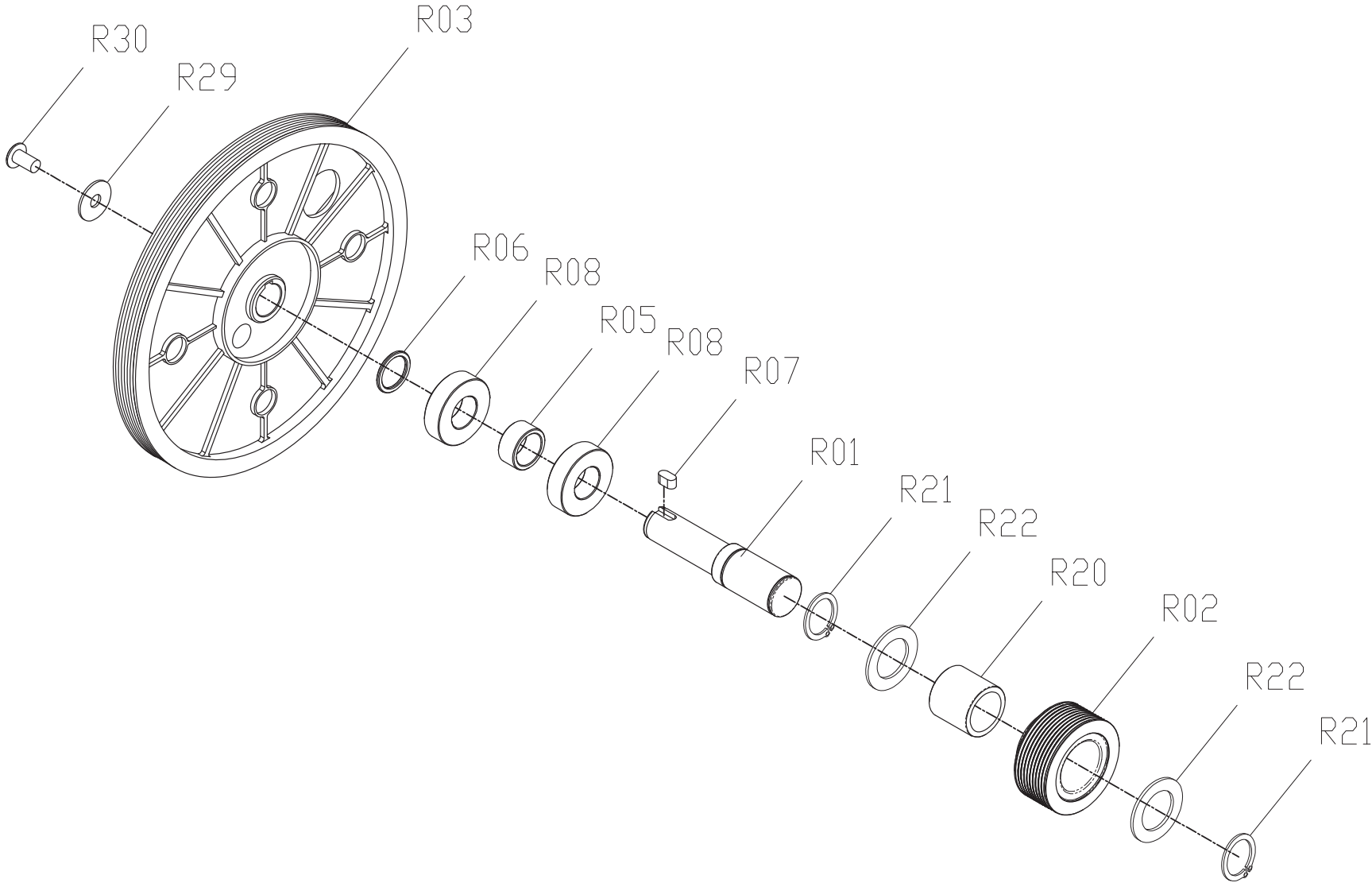
DRAWING NO	RB87C-AQ11		
PART NAME	Left Side Cover Set		
PART NO	1000230541	REV	A
APPROVE	KEN	DATE	040312



DRAWING NO	RB87C-AQ12		
PART NAME	Right Side Cover Set		
PART NO	1000230543	REV	A
APPROVE	KEN	DATE	040312



DRAWING NO	RB306-AR11	
PART NAME	Transmission Set	
PART NO	1000214844	B
APPROVE	JOHNNY	DATE 021612



DRAWING NO	CB157-A11		
PART NAME	Rear Stabilizer Tube Set		
PART NO	1000224025	B	
APPROVE	yangweiqian	DATE	2013.10.14

