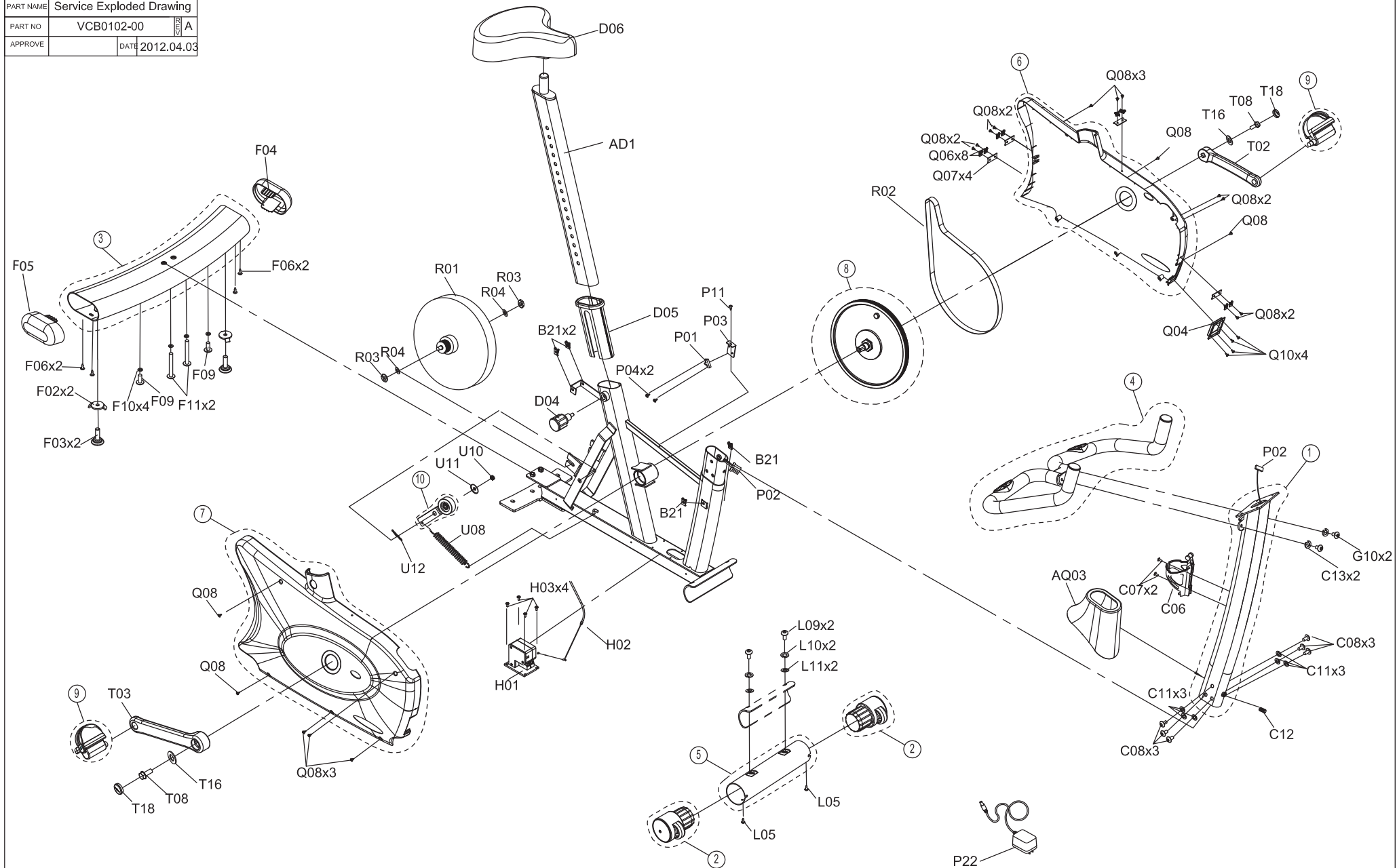
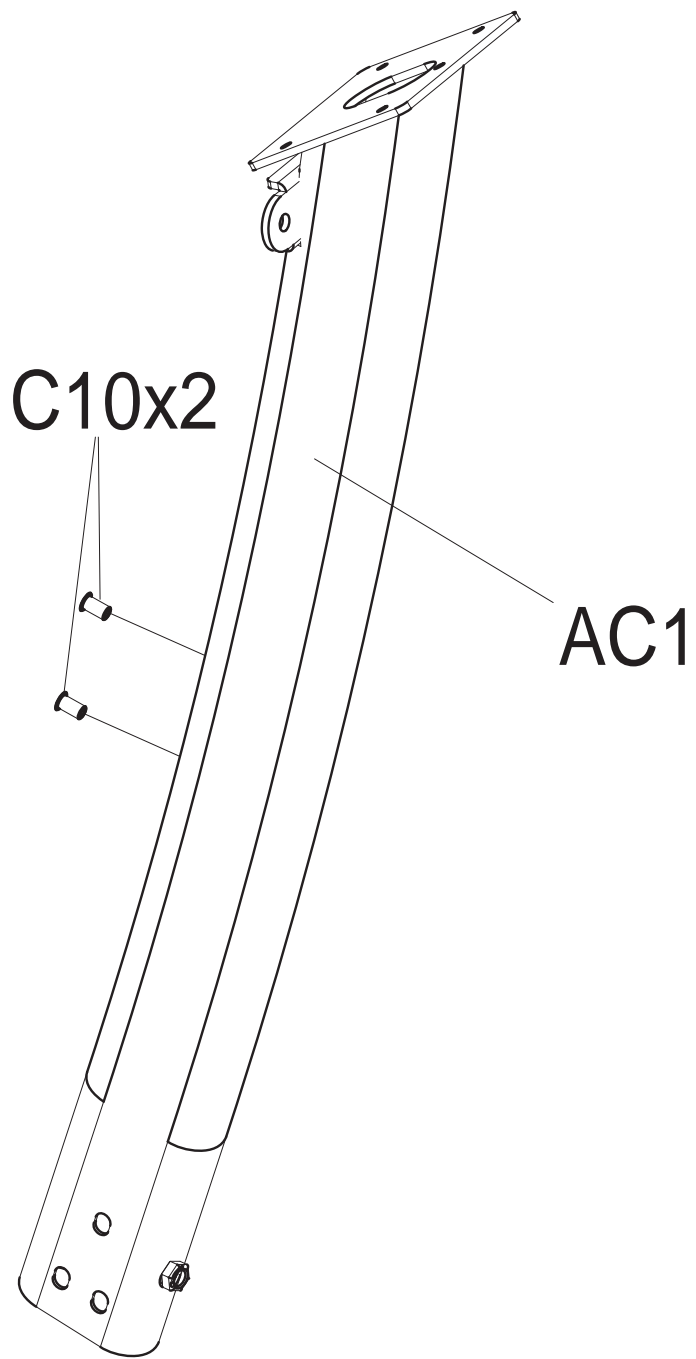


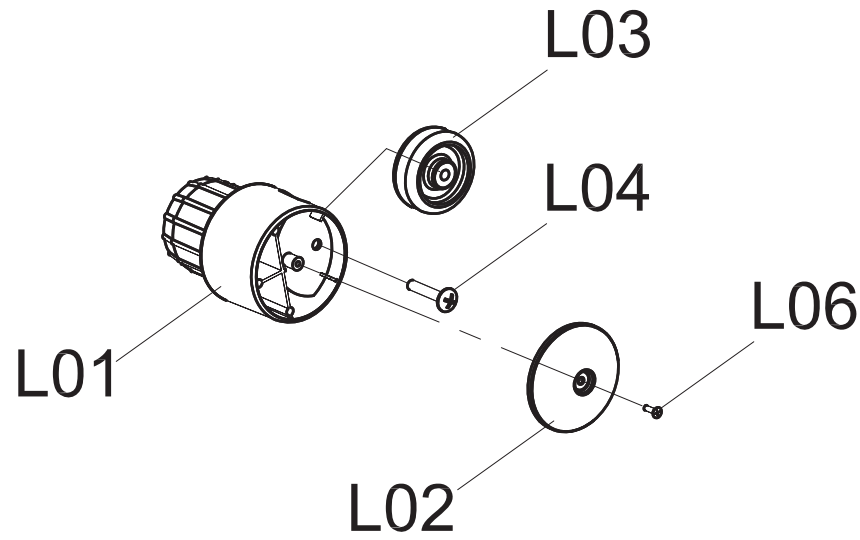
DRAWING NO	PCB164-1US-F-P		
PART NAME	Service Exploded Drawing		
PART NO	VCB0102-00	A	
APPROVE	DATE	2012.04.03	



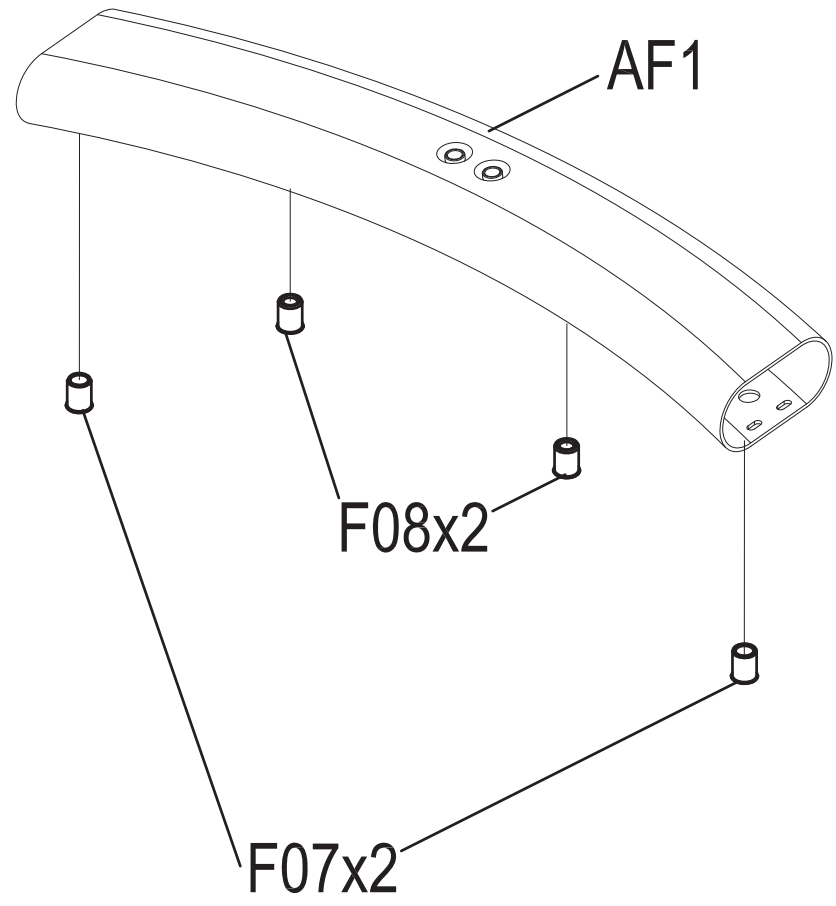
DRAWING NO	CB143-A10		
PART NAME	Console Mast Set		
PART NO	1000112773	REV	A
APPROVE		DATE	



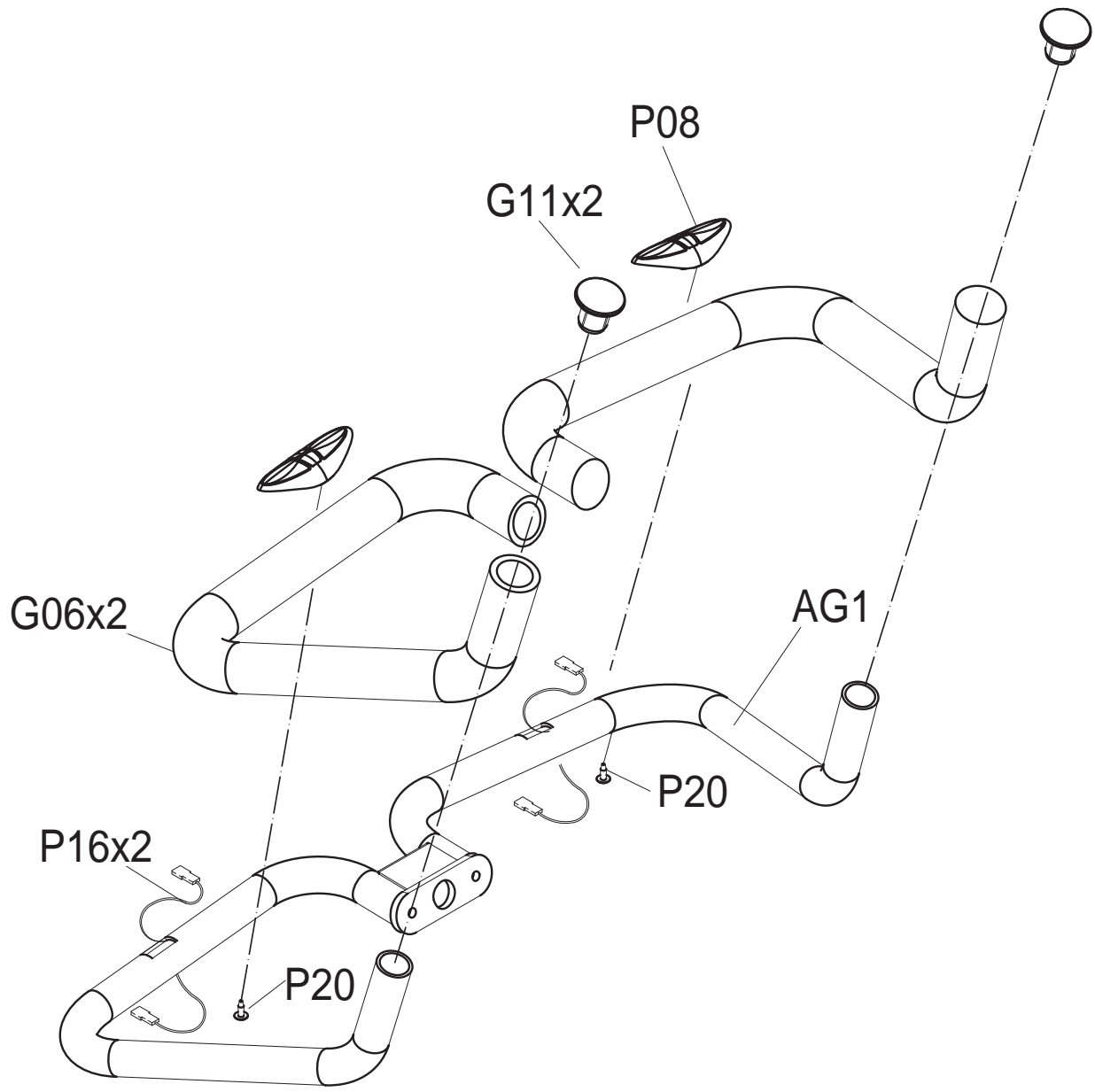
DRAWING NO	RB153-A14		
PART NAME	Transport Wheel Set		
PART NO	1000231413	REV	A
APPROVE		DATE	2012.03.30



DRAWING NO	RB151-A25		
PART NAME	STABILIZER SET		
PART NO	1000230614	REV	A
APPROVE		DATE	2012.03.06

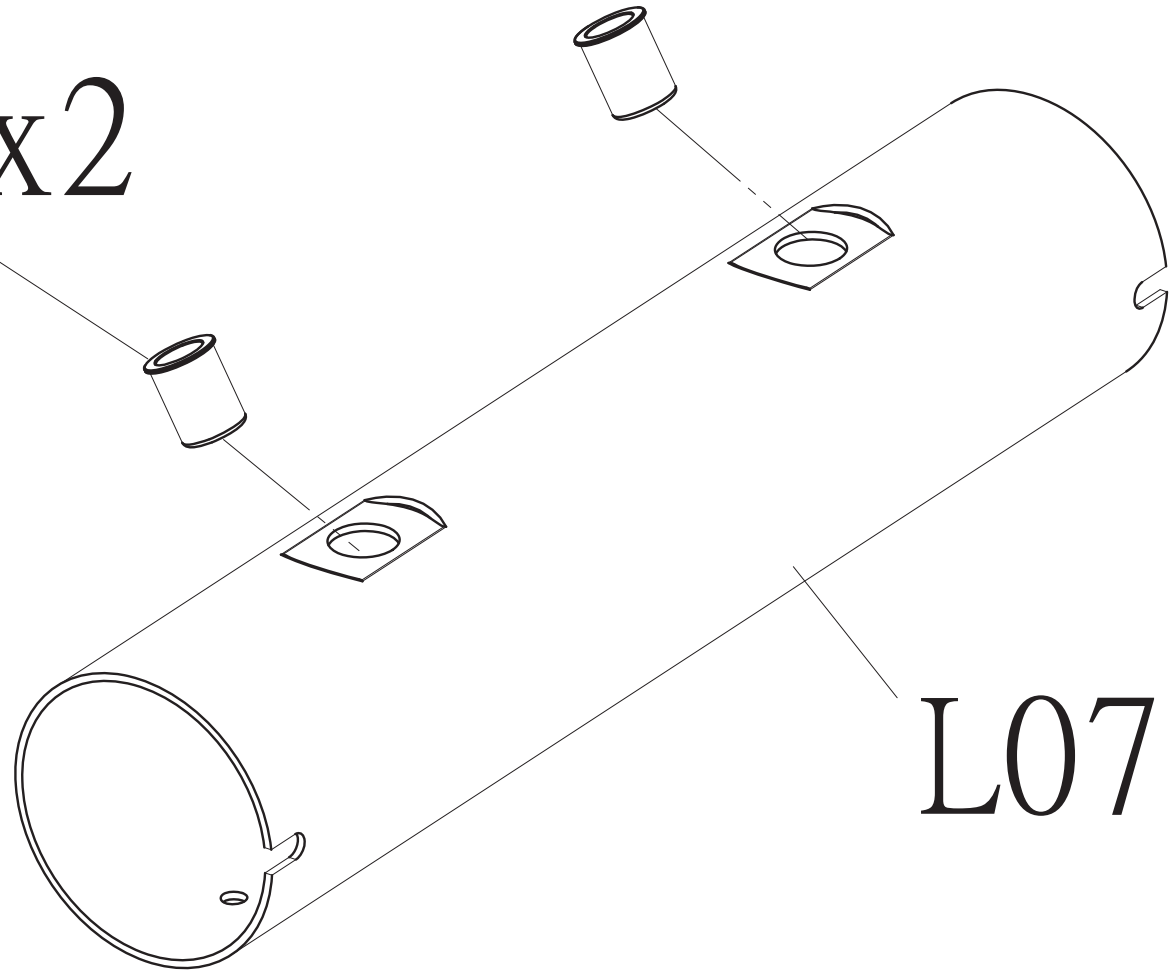


DRAWING NO	CB143-A13		
PART NAME	Handlebar Set		
PART NO	1000112776	REV	A
APPROVE		DATE	



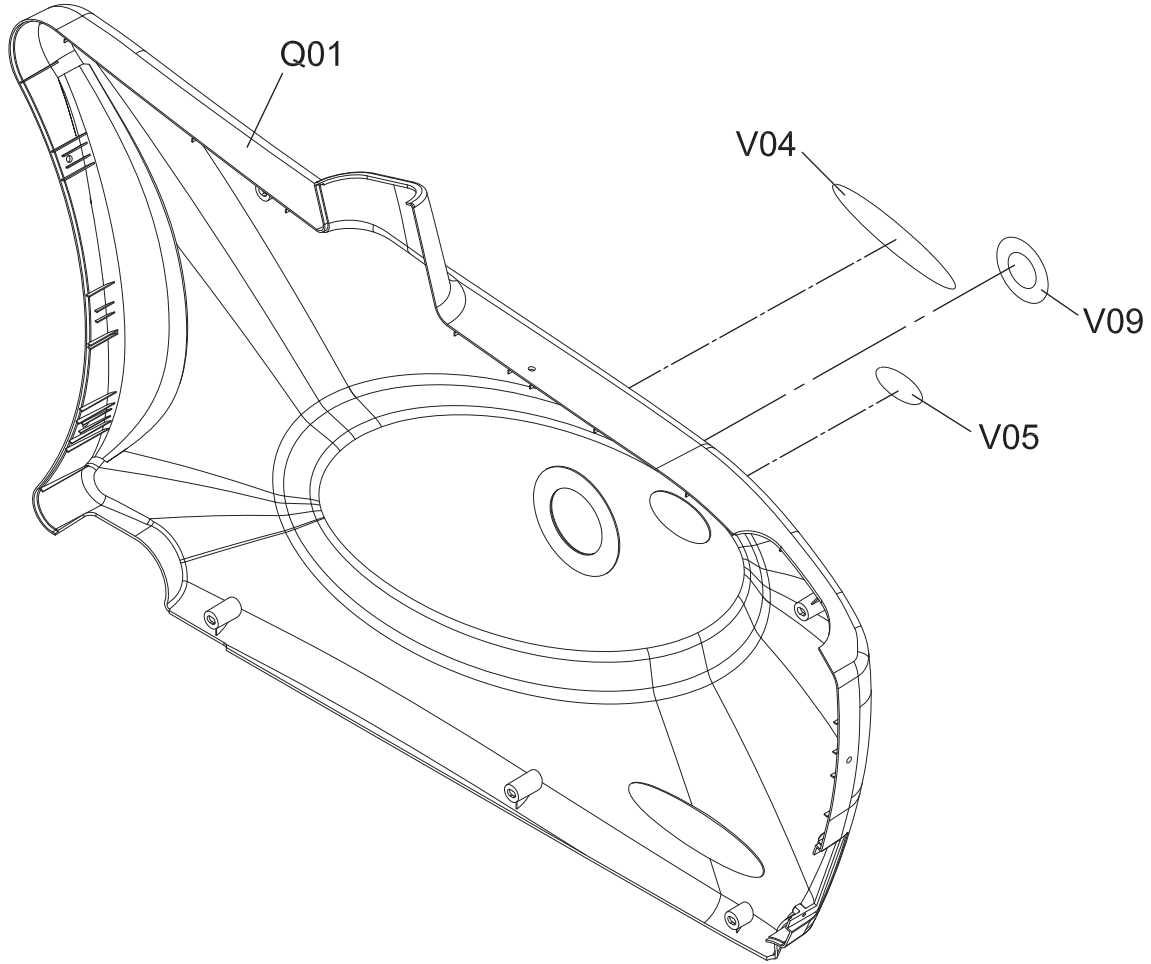
DRAWING NO	CB143-A26		
PART NAME	Front Stabilizer Tube Set		
PART NO	1000212939	REV	A
APPROVE		DATE	

L08x2

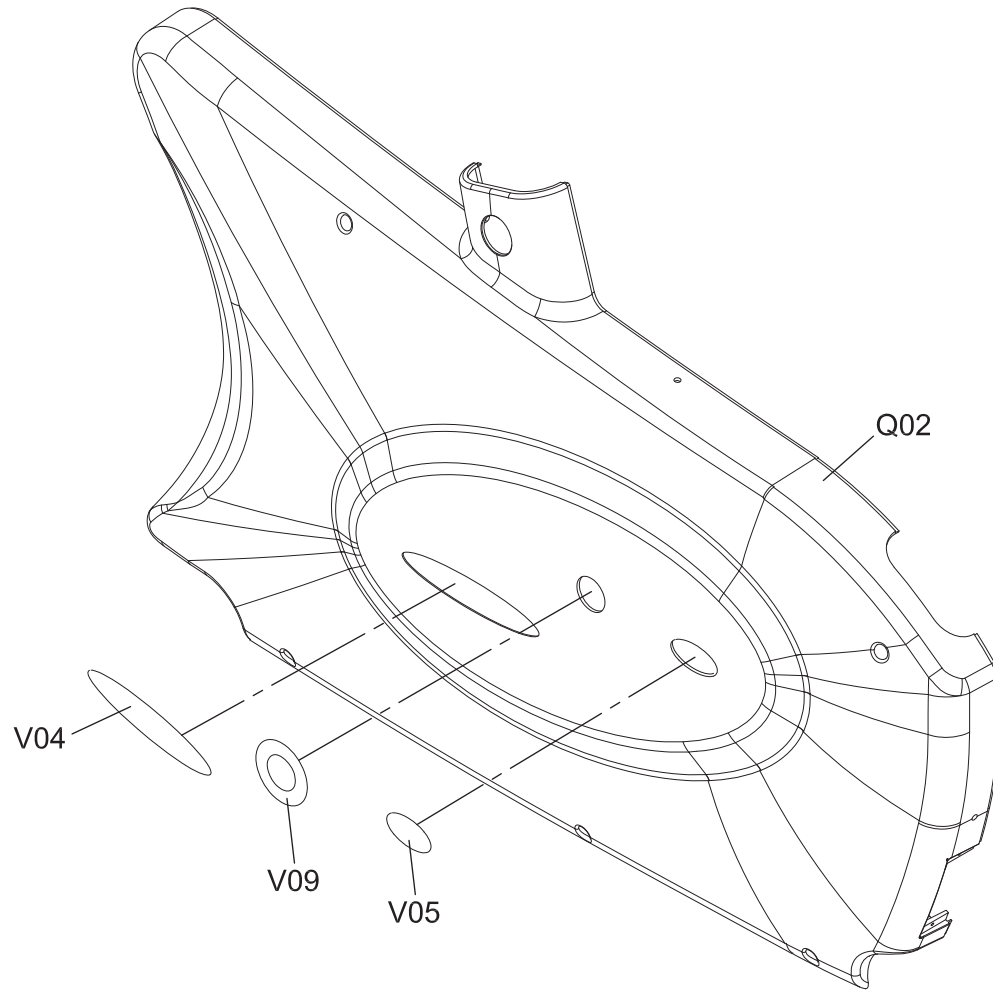


L07

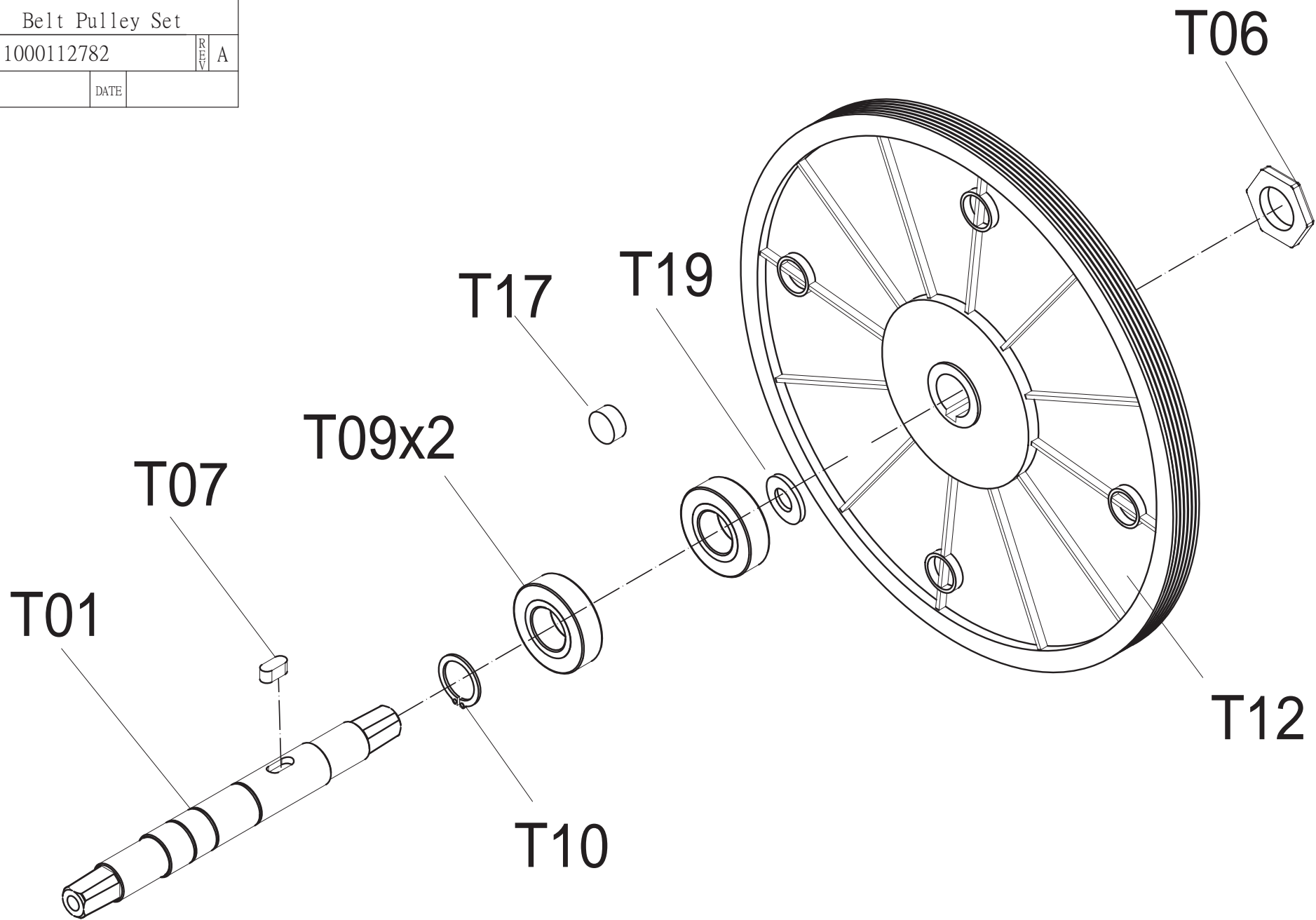
DRAWING NO	CB164-A20		
PART NAME	Left Cover Set		
PART NO	1000231562	REV	A
APPROVE		DATE	2012.04.03



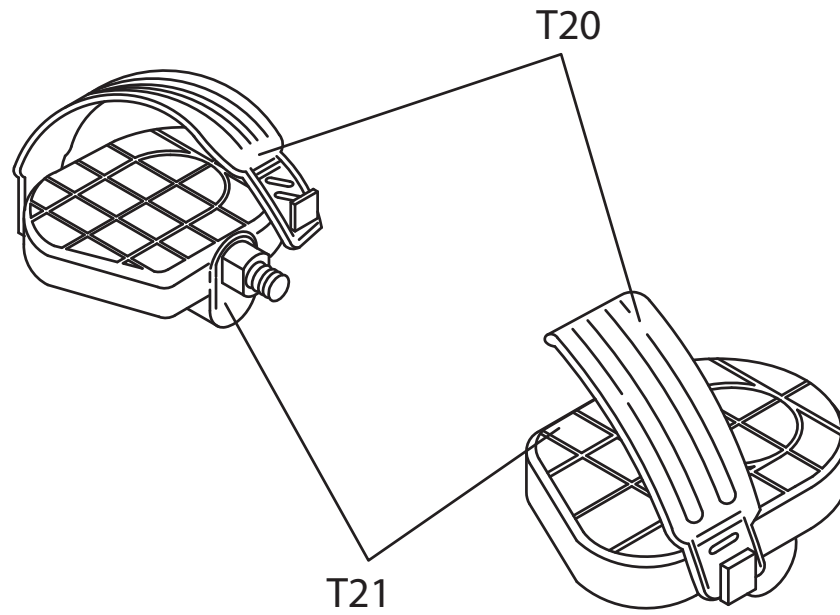
DRAWING NO	CB164-A21		
PART NAME	Right Cover Set		
PART NO	1000231563	REV	A
APPROVE		DATE	2012.04.03



DRAWING NO	CB143-A16		
PART NAME	Belt Pulley Set		
PART NO	1000112782	REV	A
APPROVE		DATE	



DRAWING NO	CB157-A15		
PART NAME	Foot Pedal Set		
PART NO	1000228989	<input type="checkbox"/> R <input checked="" type="checkbox"/> L	A
APPROVE		DATE	



DRAWING NO	CB164-A22		
PART NAME	Pressure Pulley Set		
PART NO	1000231564	REV	A
APPROVE		DATE	2012.04.03

