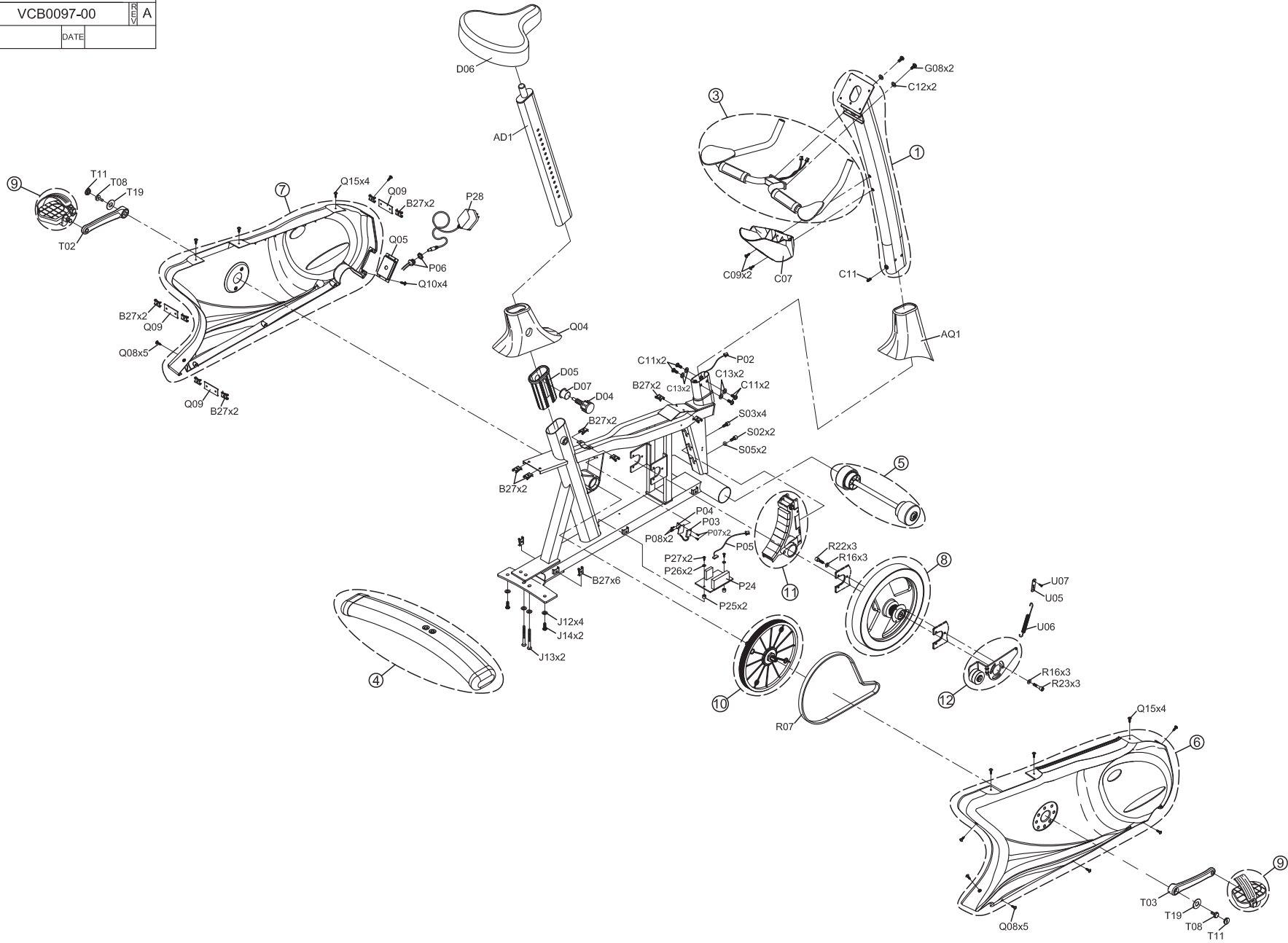
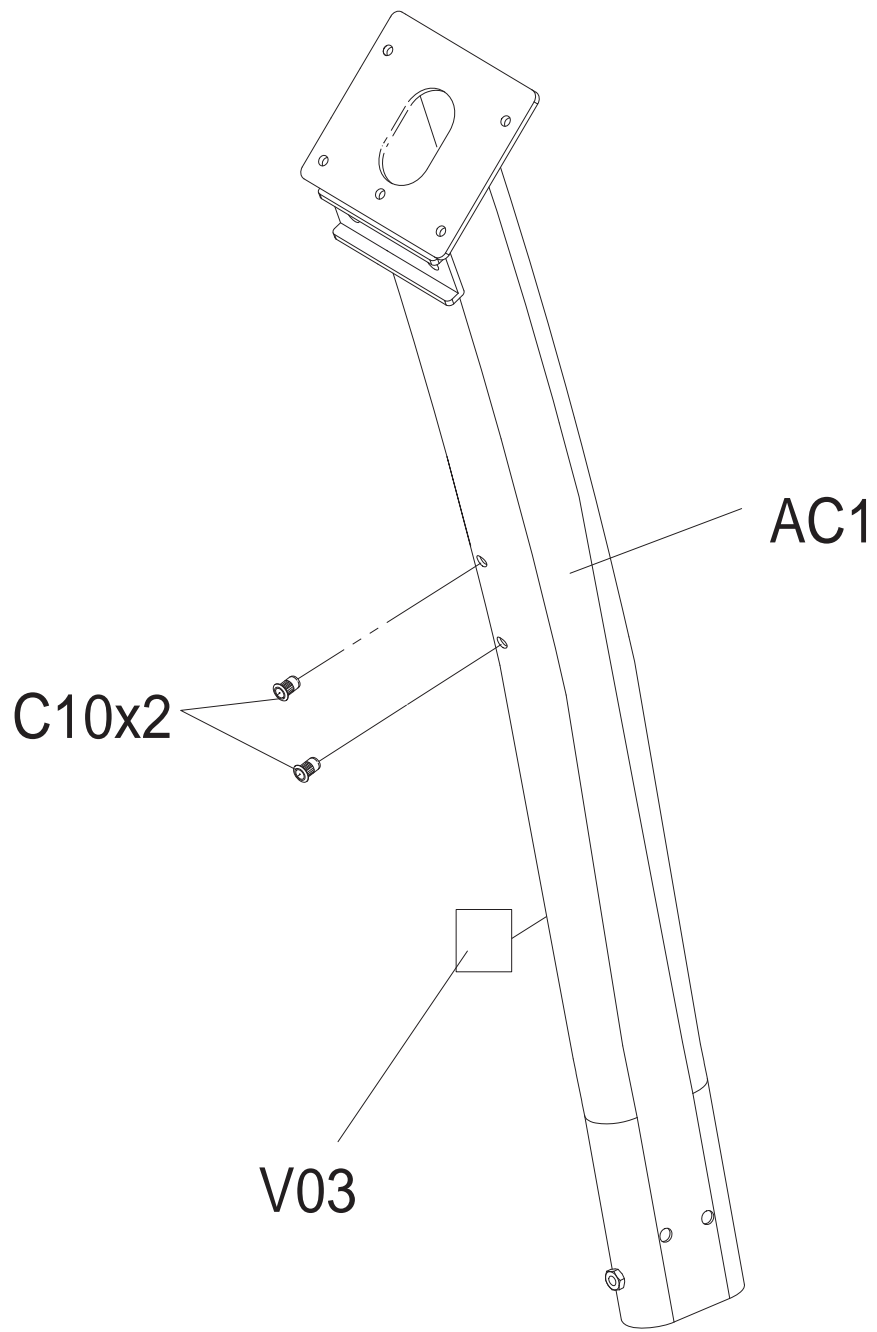


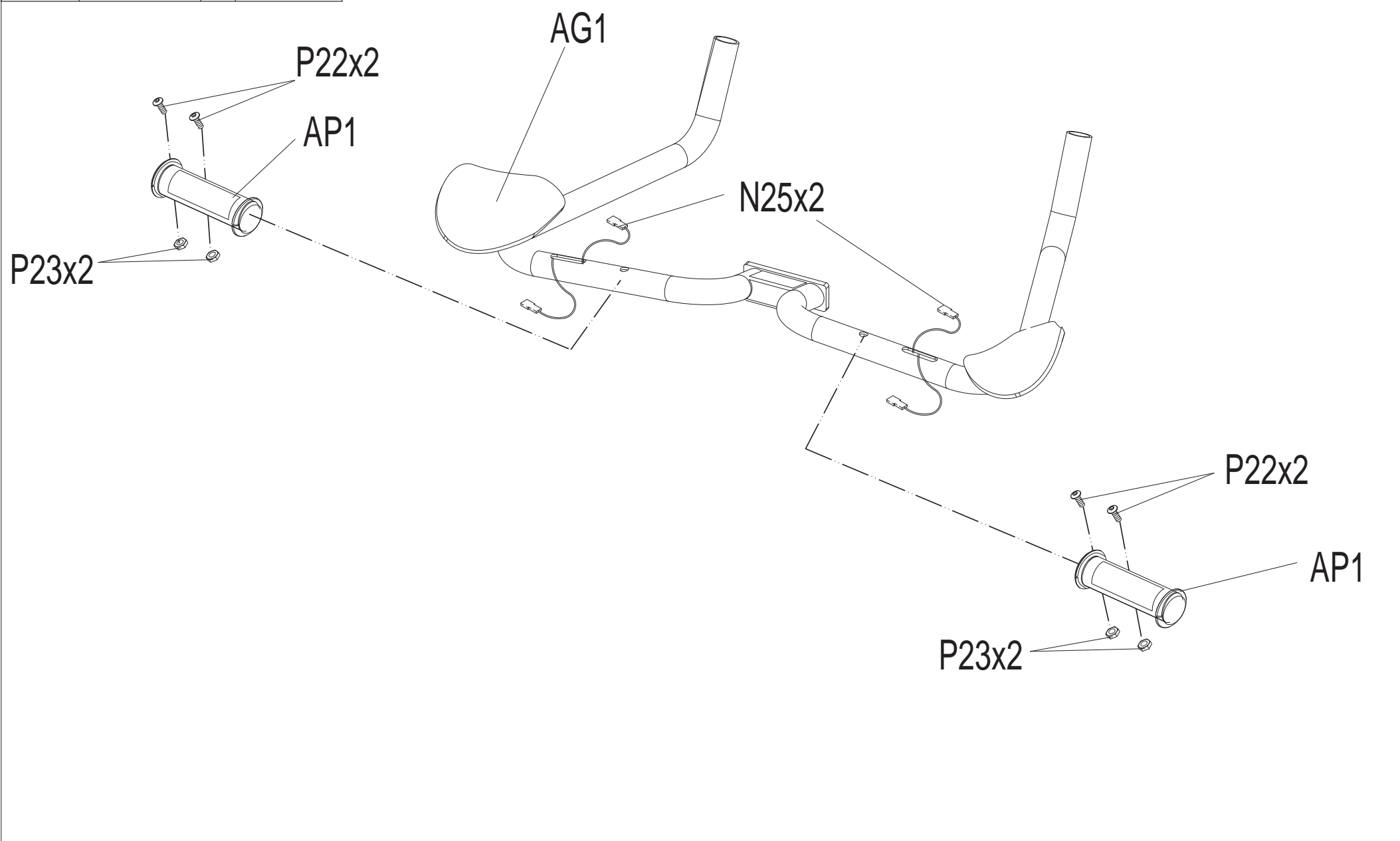
DRAWING NO	PCB158-1US-F	
PART NAME	Service Exploded Drawing	
PART NO	VCB0097-00	REV A
APPROVE	DATE	



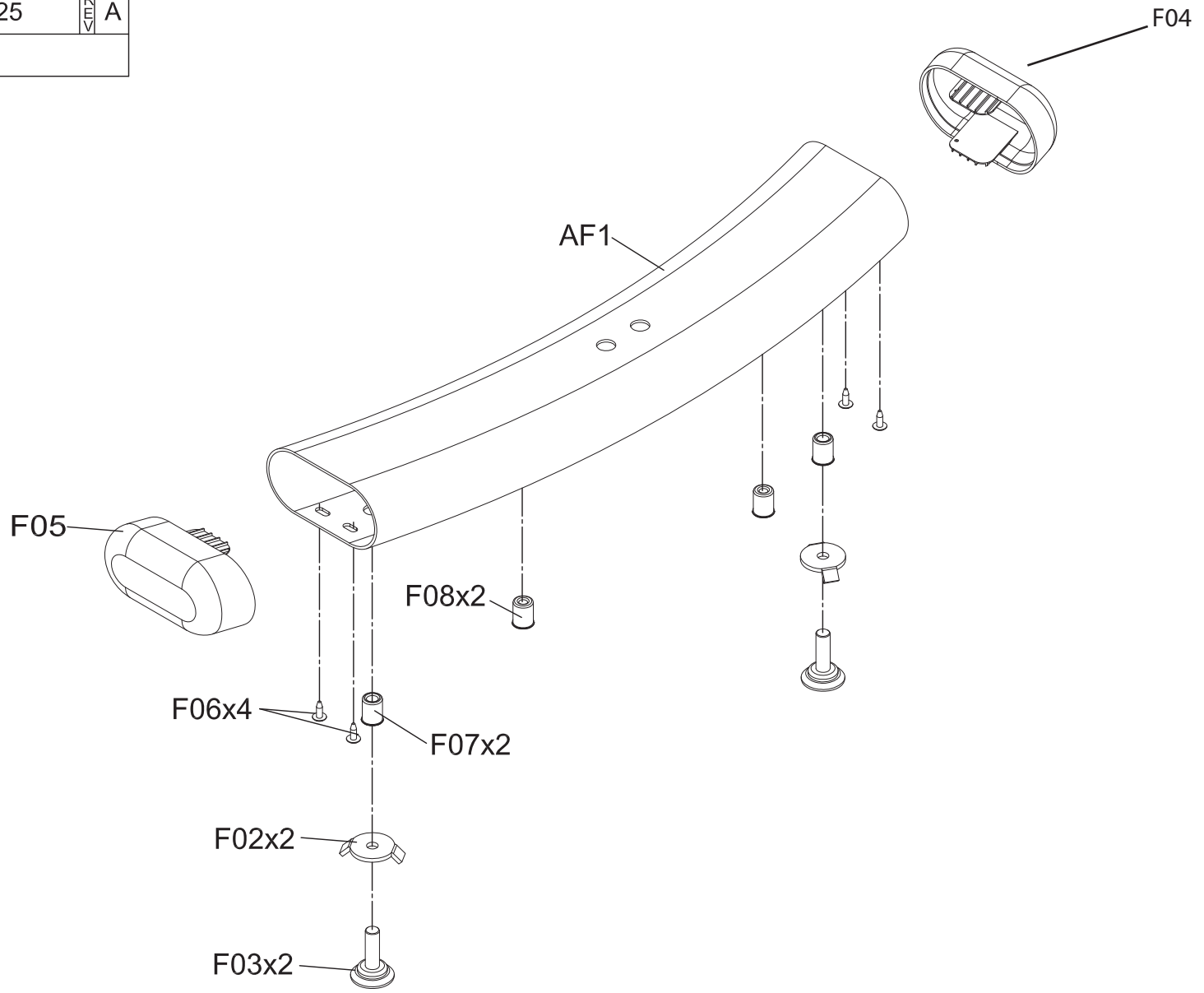
DRAWING NO	CB142-A10		
PART NAME	CONSOLE MAST SET		
PART NO	1000111714	REV	A
APPROVE		DATE	



DRAWING NO	CB142-A12		
PART NAME	Handlebar Set		
PART NO	1000111728	REV	A
APPROVE		DATE	

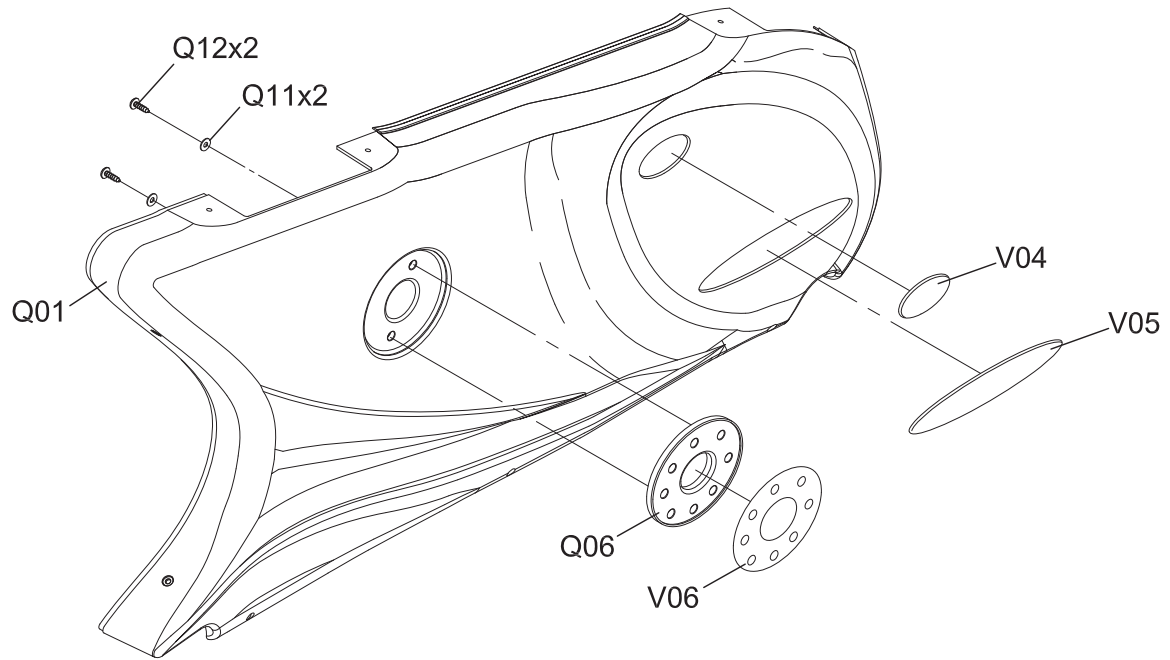


DRAWING NO	CB157-A11		
PART NAME	Rear Stabilizer Tube Set		
PART NO	1000224025	REV	A
APPROVE		DATE	

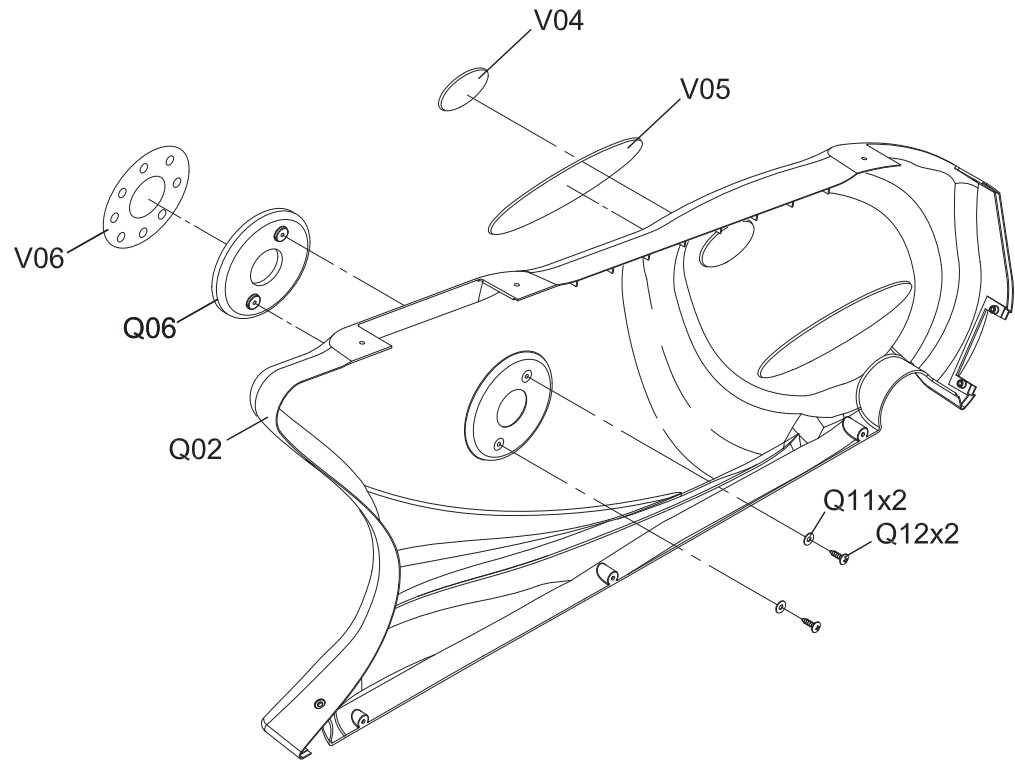




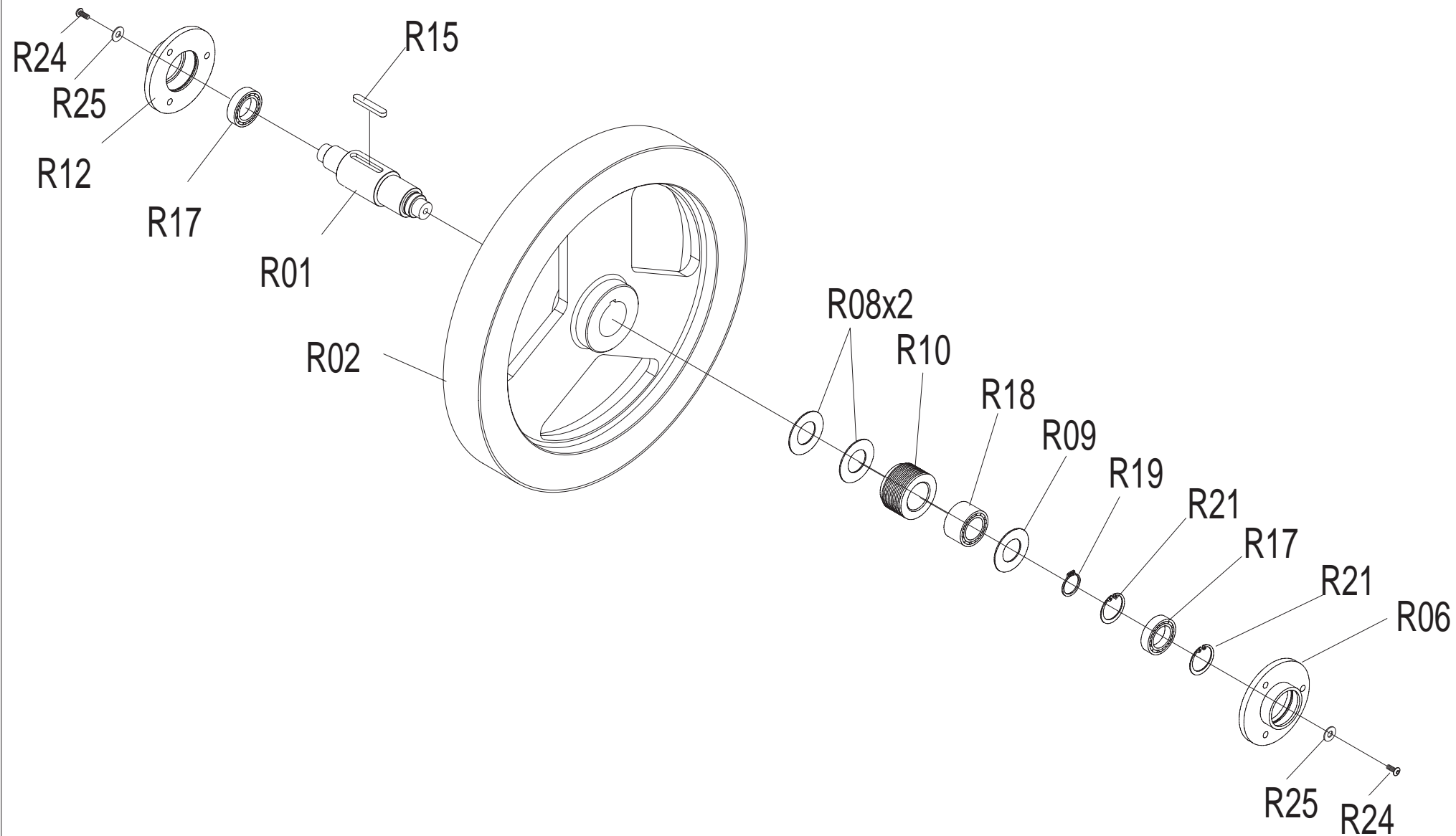
DRAWING NO	CB158-A11		
PART NAME	Right Cover Set		
PART NO	1000230984	REV	A
APPROVE		DATE	



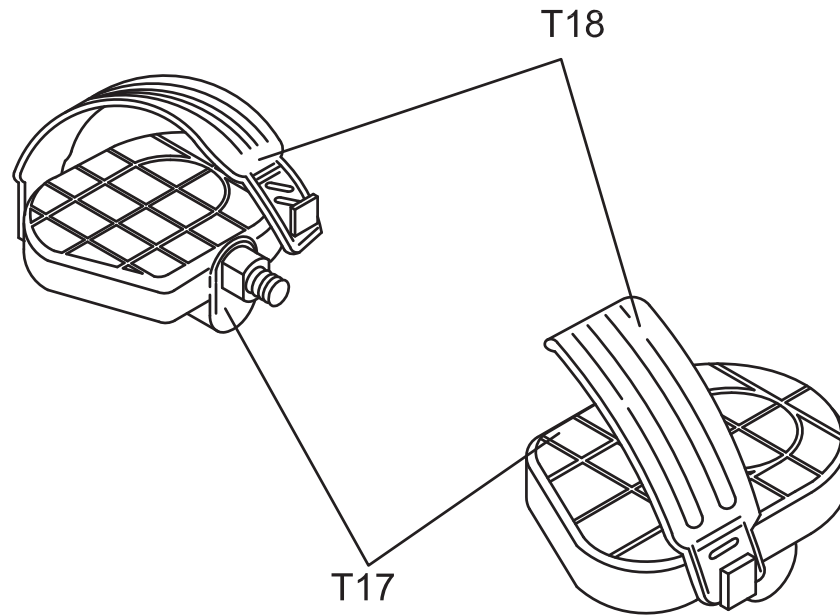
DRAWING NO	CB158-A12		
PART NAME	Left Cover Set		
PART NO	1000230985	REV	A
APPROVE		DATE	



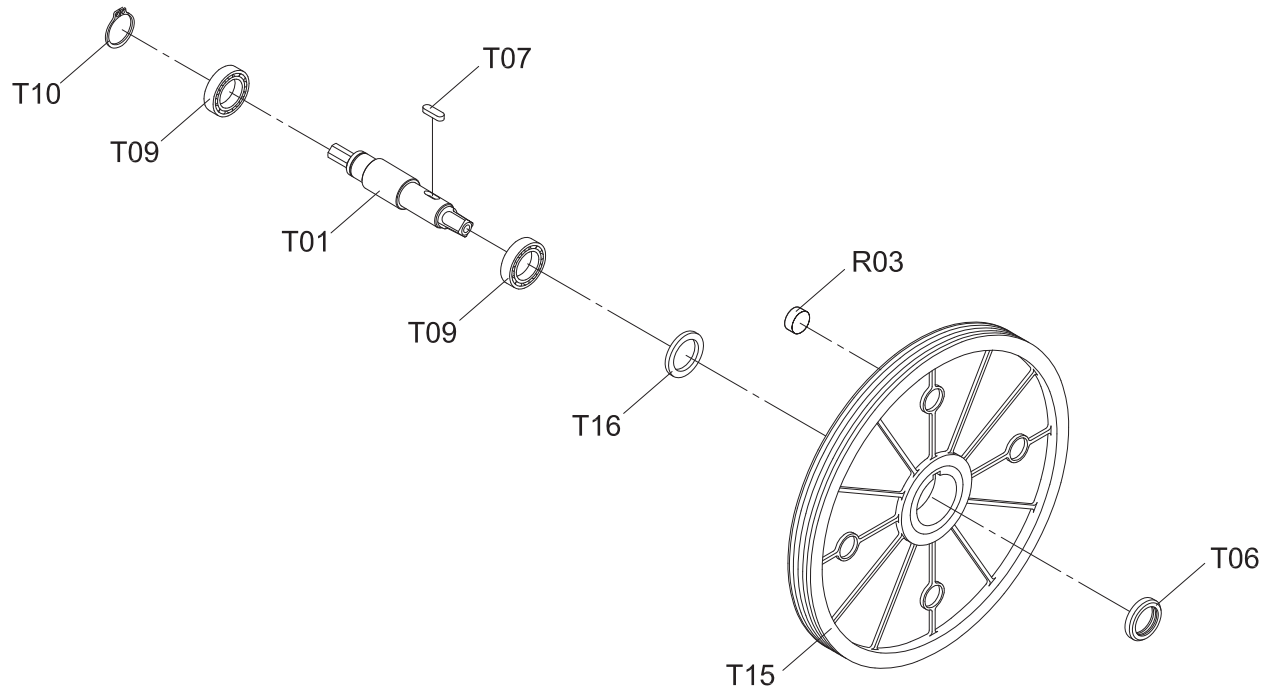
DRAWING NO	CB142-A20		
PART NAME	FLYWHEEL SET		
PART NO	1000111719	REV	A
APPROVE		DATE	



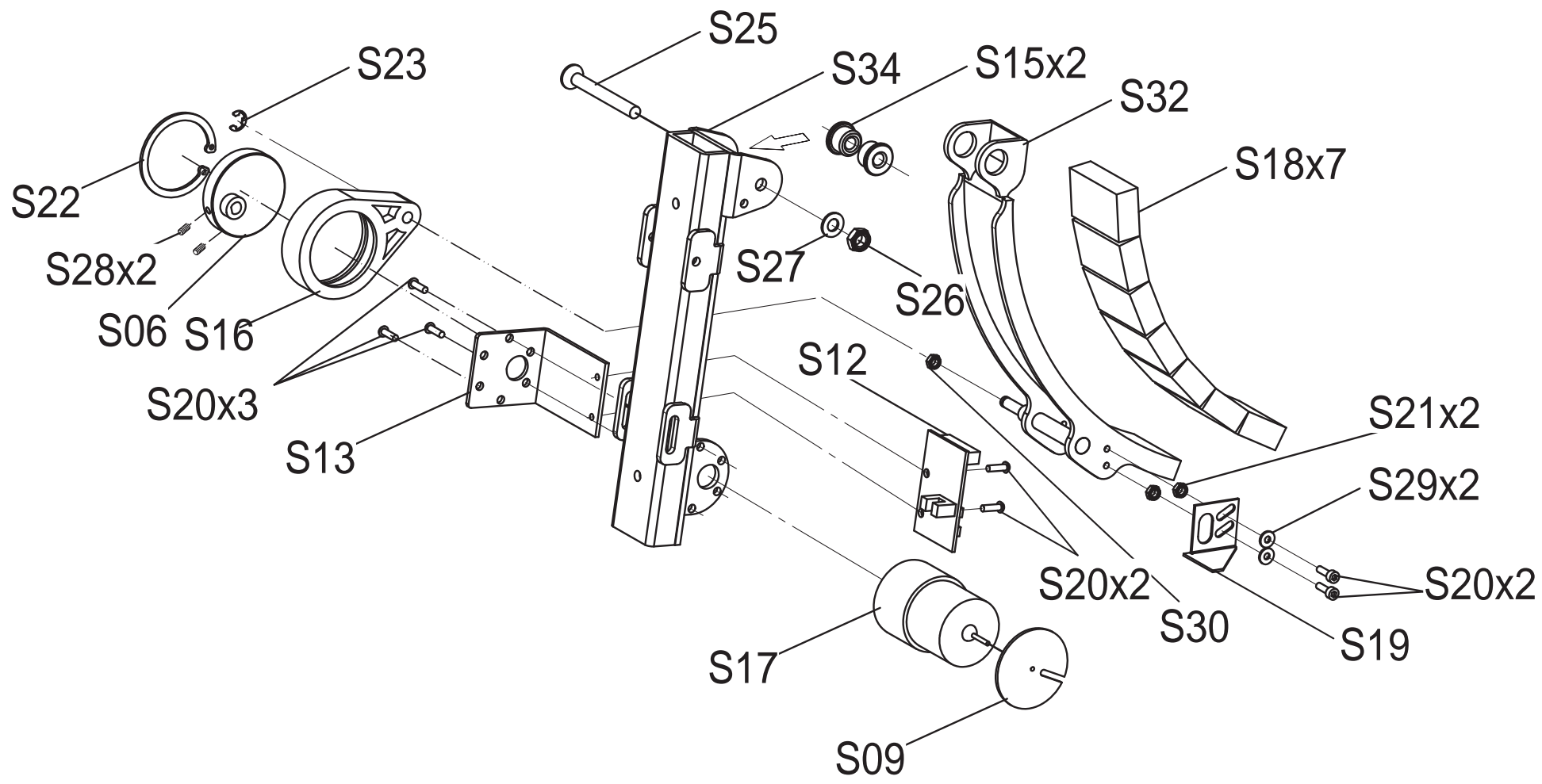
DRAWING NO	CB157-A15		
PART NAME	Foot Pedal Set		
PART NO	1000228989	<input type="checkbox"/> R <input checked="" type="checkbox"/> L	A
APPROVE		DATE	



DRAWING NO	CB158-A13		
PART NAME	Pulley Axle Set		
PART NO	1000230986	REV	A
APPROVE		DATE	



DRAWING NO	CB142-A22		
PART NAME	MAGNETISM CHARGE SET		
PART NO	1000111721	REV	A
APPROVE		DATE	



DRAWING NO	CB142-A23		
PART NAME	TENSION WHEEL SET		
PART NO	1000111722	REV	A
APPROVE		DATE	

