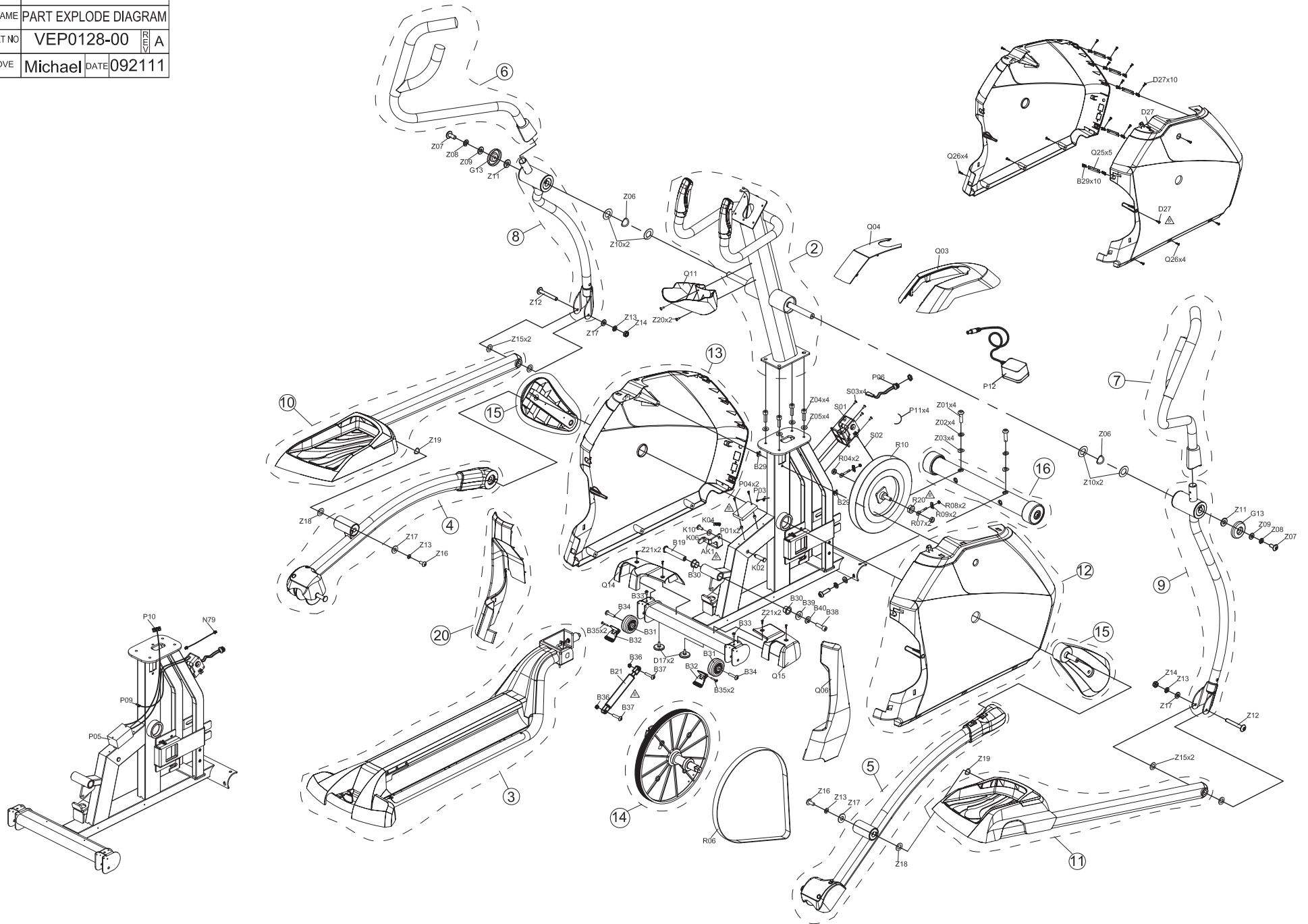
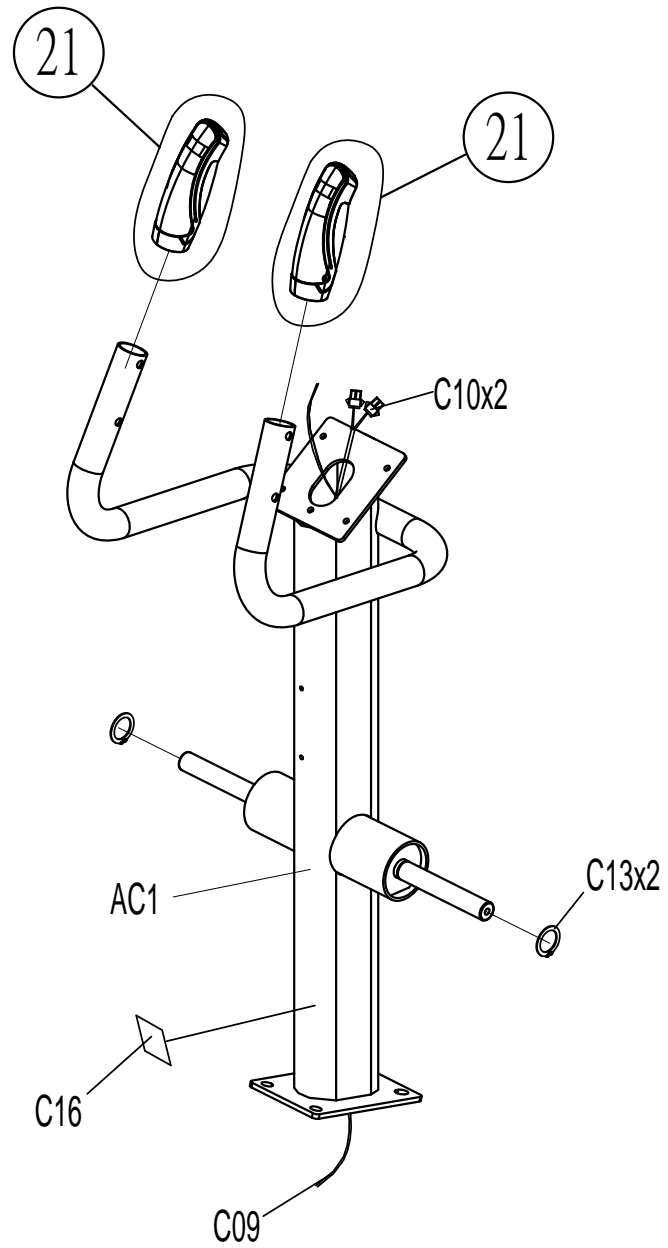


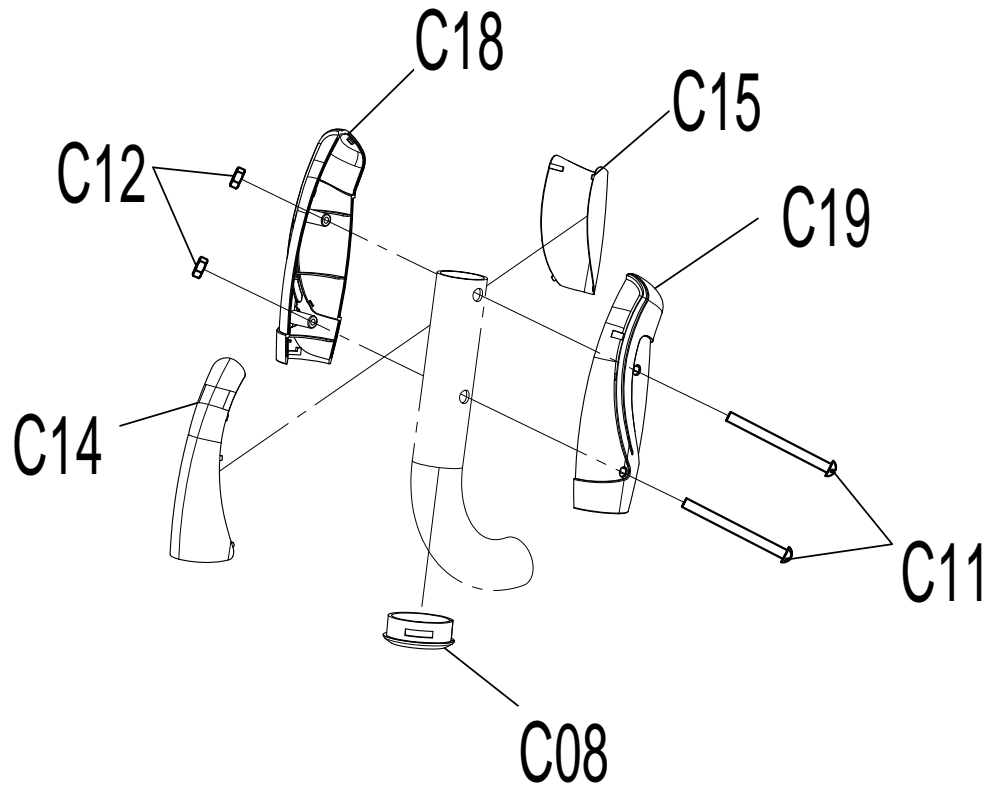
DRAWING NO	PEP257-1US-F		
PART NAME	PART EXPLODE DIAGRAM		
SAP PART NO	VEP0128-00	REV	A
APPROVE	Michael	DATE	092111



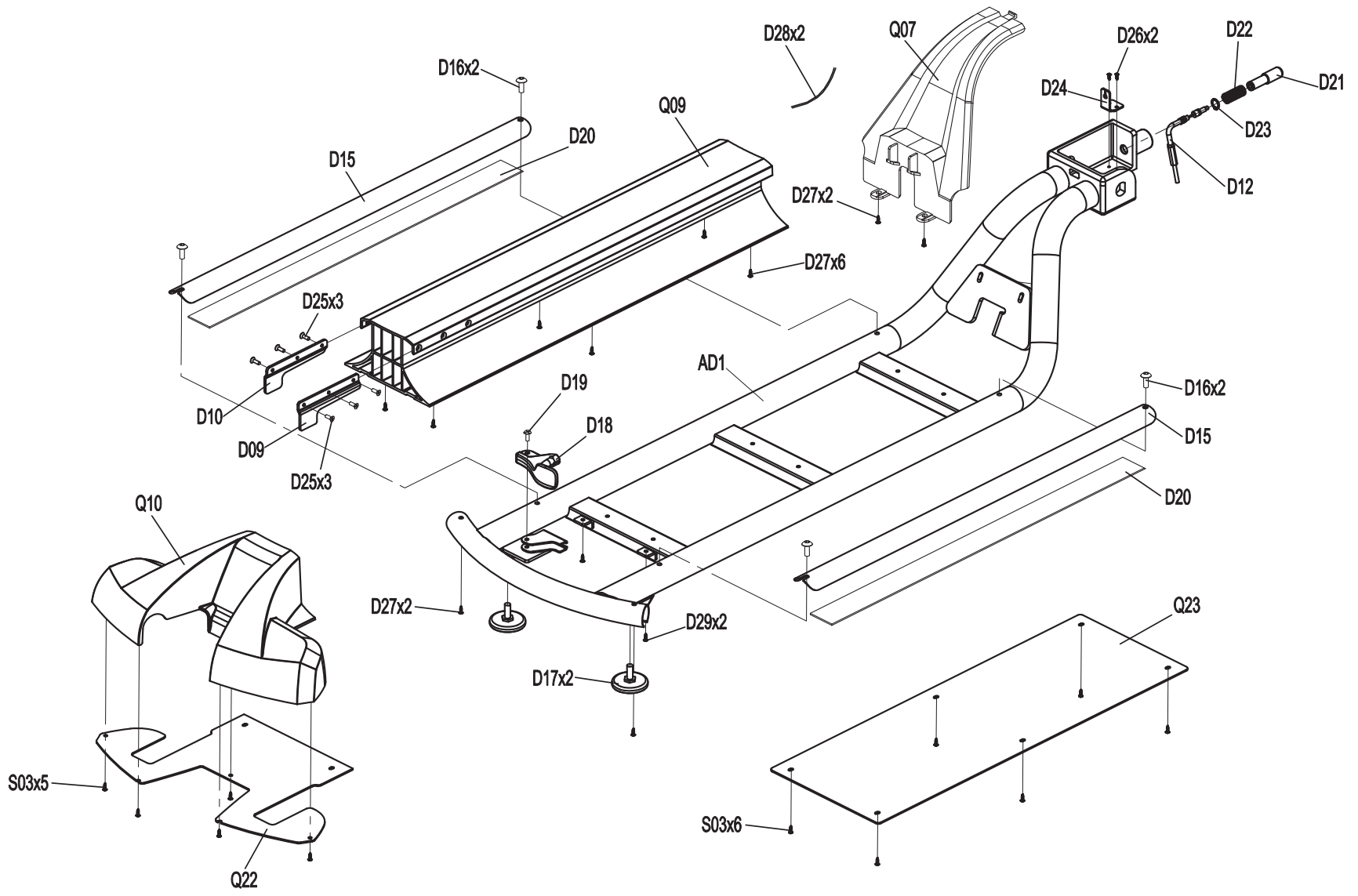
DRAWING NO	EP257-A12		
PART NAME	Console Mast Set		
SAP PART NO	1000216156	REV	B
APPROVE	Michael	DATE	092111



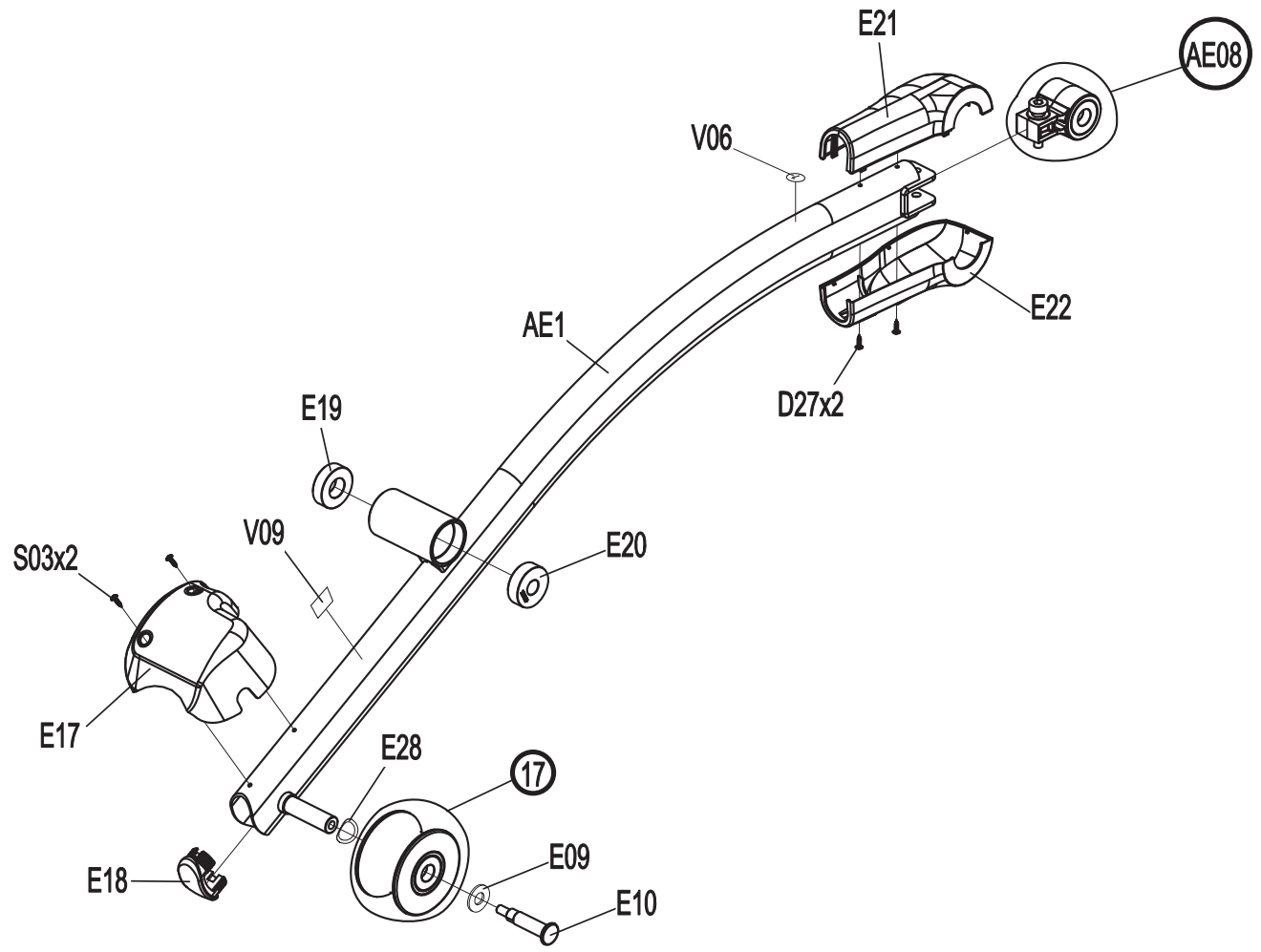
DRAWING NO	EP257-A31		
PART NAME	Handbar Grips Set		
SAP PART NO	1000231081	REV	A
APPROVE	Michael	DATE	032012



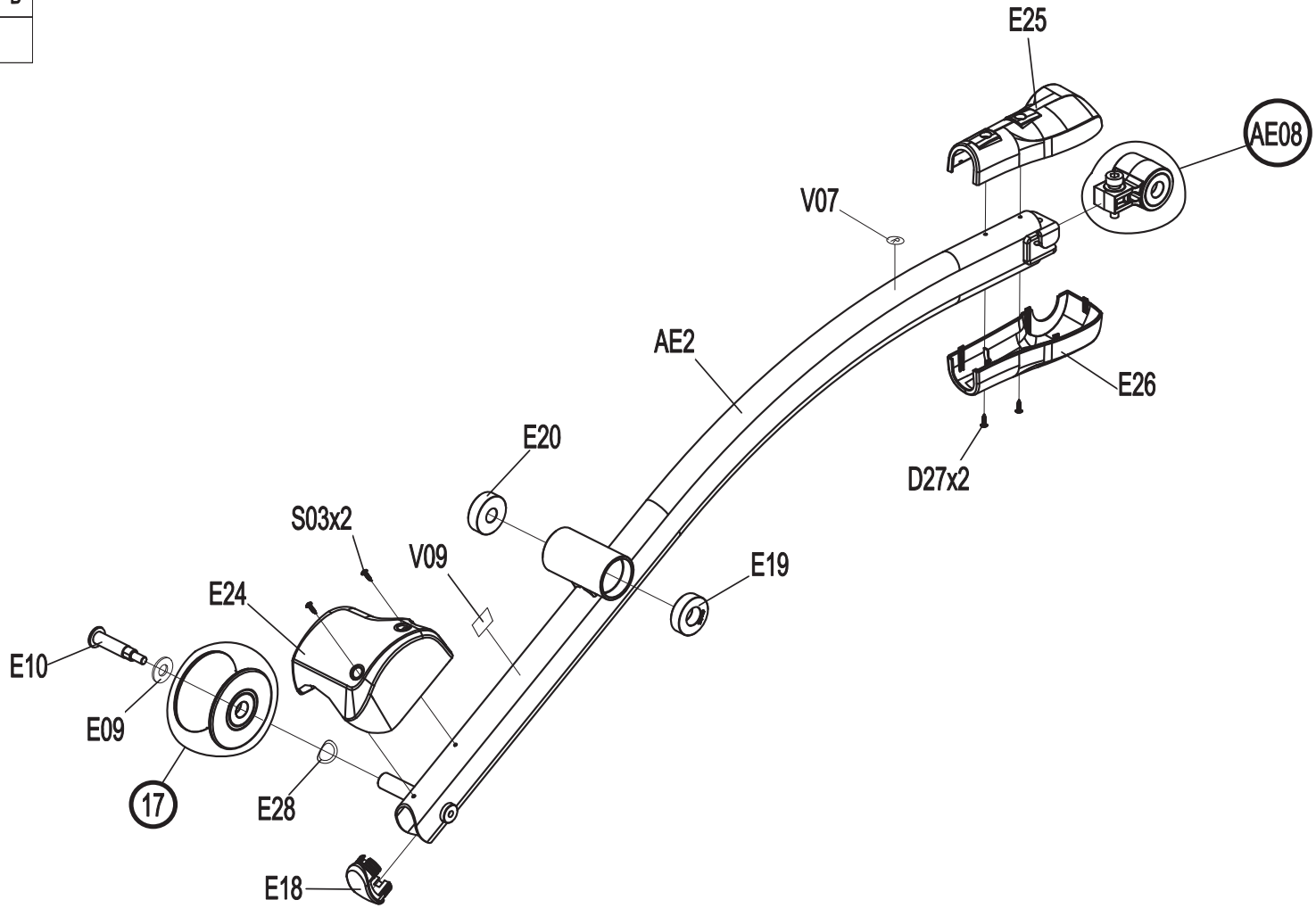
DRAWING NO	EP257-A13		
PART NAME	Guide Rail Set		
SAP PART NO		REV	B
APPROVE	Michael	DATE	092111



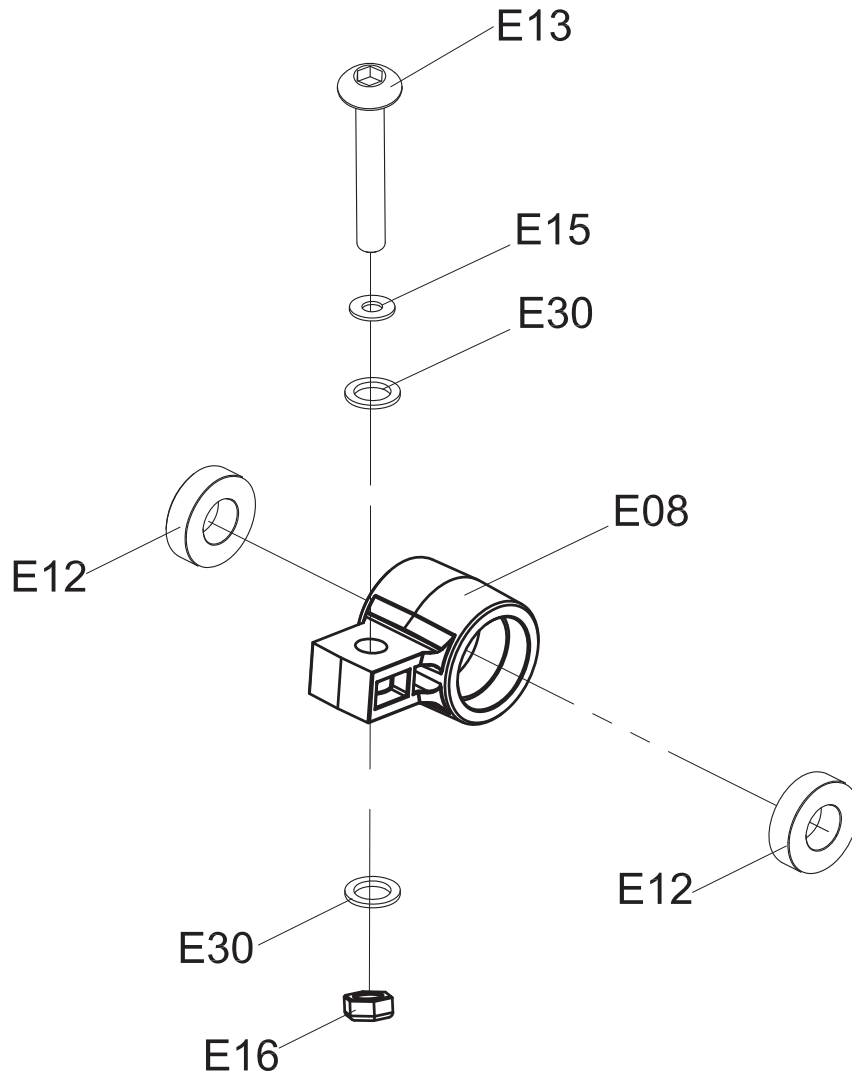
DRAWING NO	EP257-A14		
PART NAME	Pedalarm Set - L		
SAP PART NO	1000216183	REV	B
APPROVE	Michael	DATE	092111



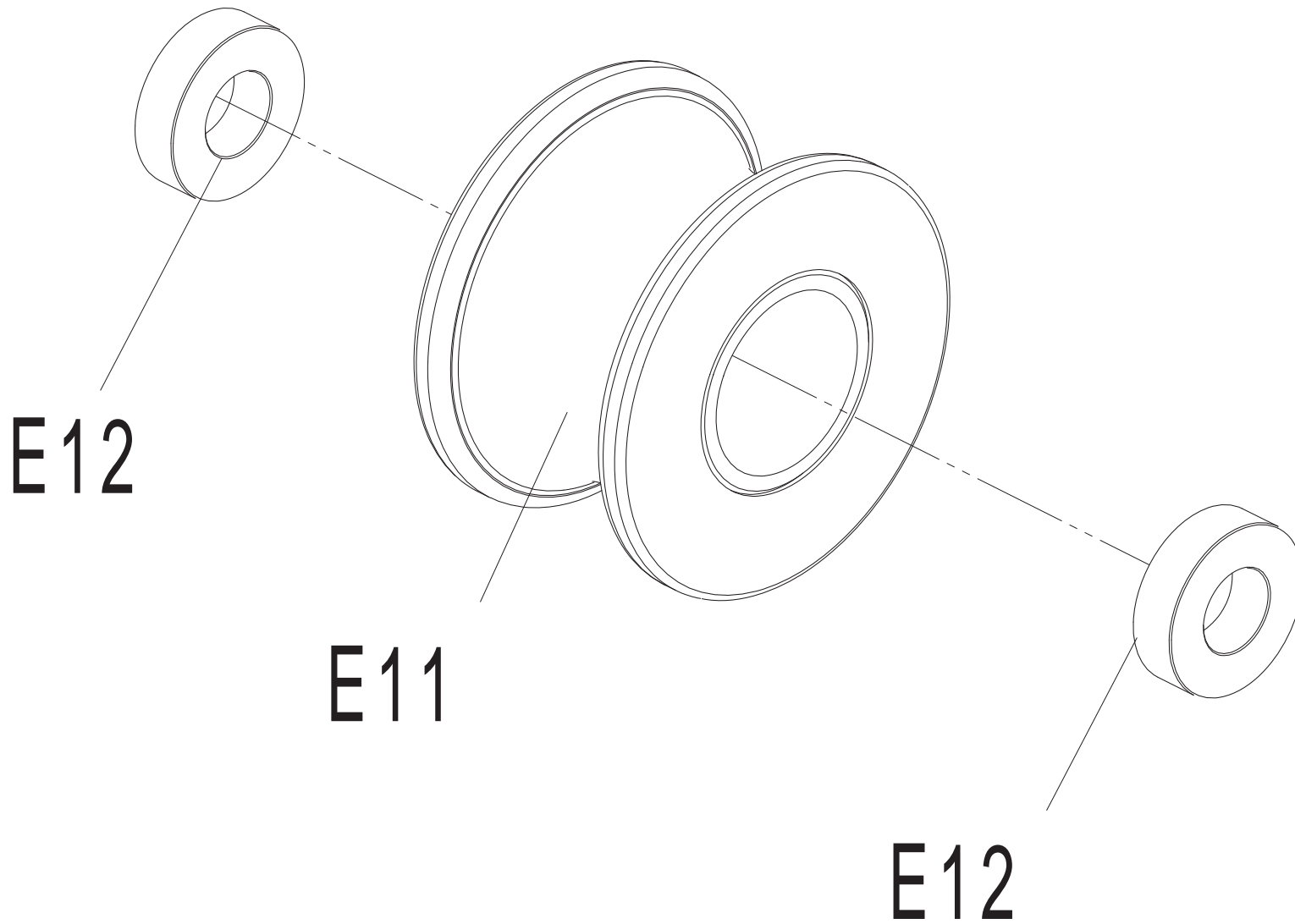
DRAWING NO	EP257-A15		
PART NAME	Pedalarm Set - R		
SAP PART NO	1000216187	REV	B
APPROVE	Michael	DATE	092111



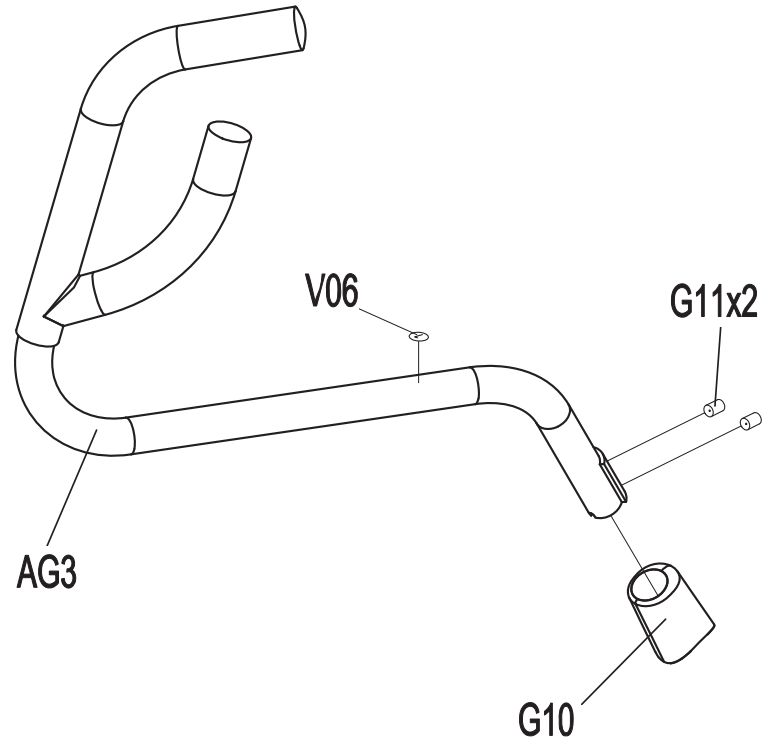
DRAWING NO	EP241-A14		
PART NAME	Crank Pin Sleeve Set		
PART NO	1000111424	REV	B
APPROVE		DATE	



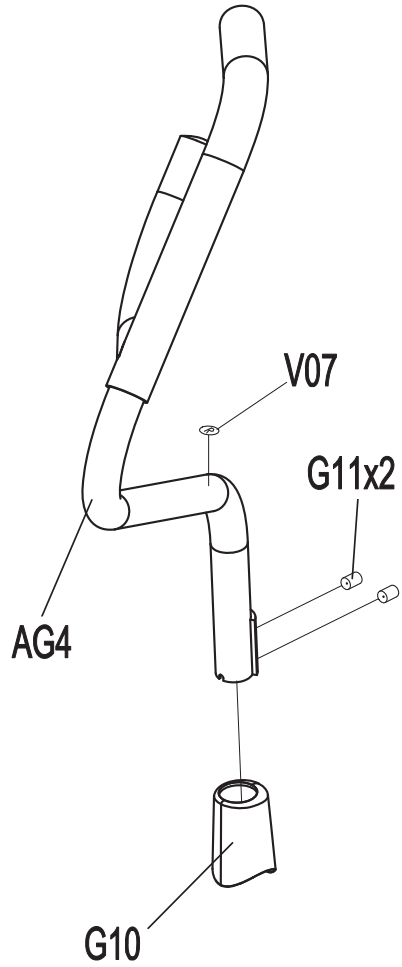
DRAWING NO	EP240-A45		
PART NAME	Roller Wheel Set		
PART NO	1000207789	REV	A
APPROVE		DATE	



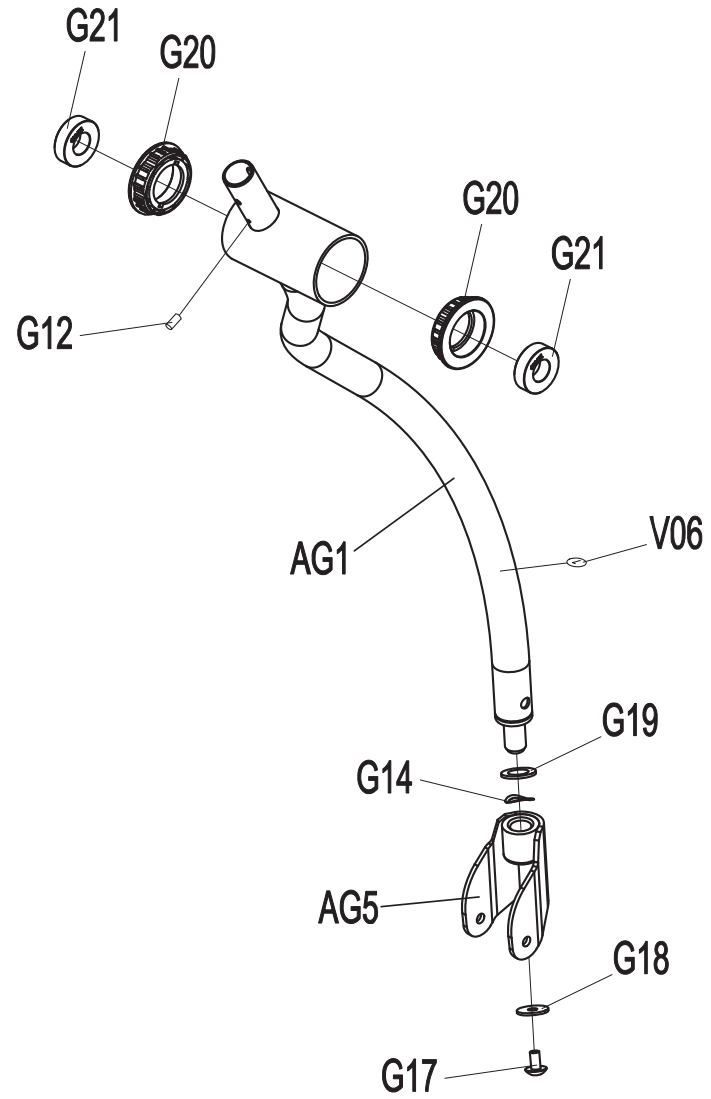
DRAWING NO	EP257-A16		
PART NAME	Up Handlebar Set - L		
SAP PART NO	1000223098	REV	A
APPROVE	Michael	DATE	092111



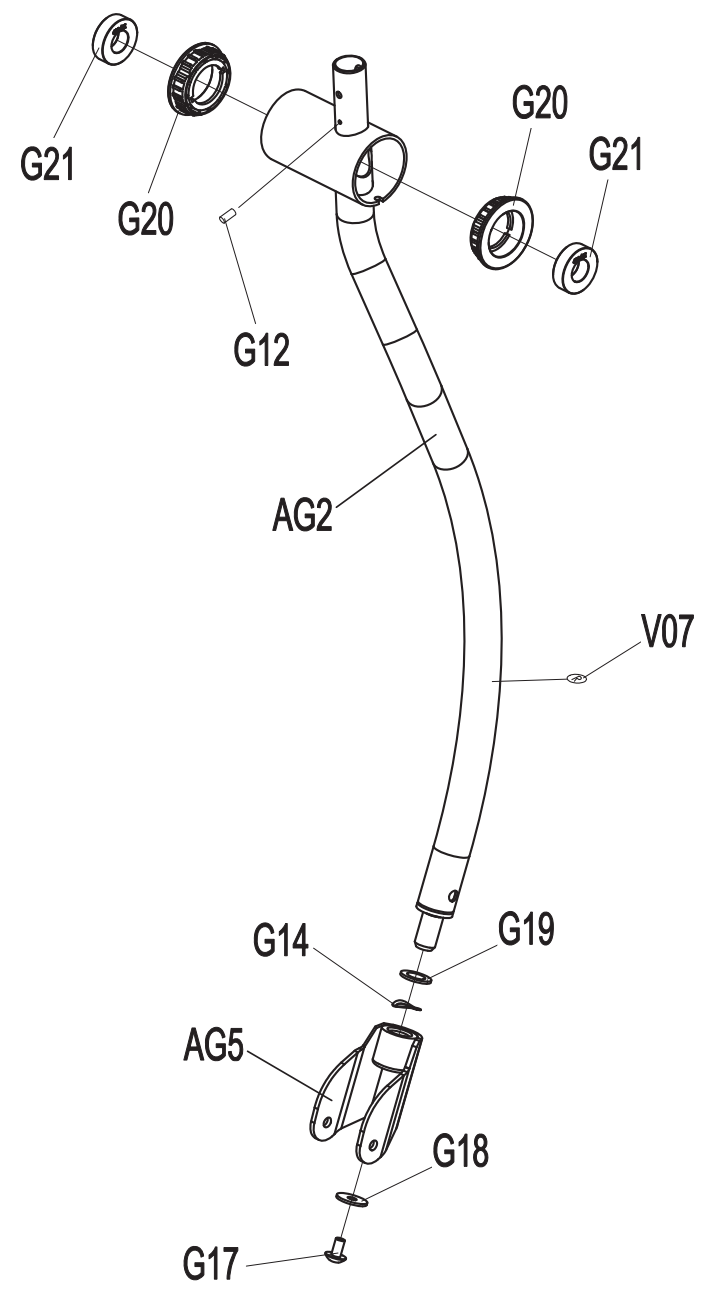
DRAWING NO	EP257-A17		
PART NAME	Up Handlebar Set - R		
SAP PART NO	1000223099	REV	A
APPROVE	Michael	DATE	092111



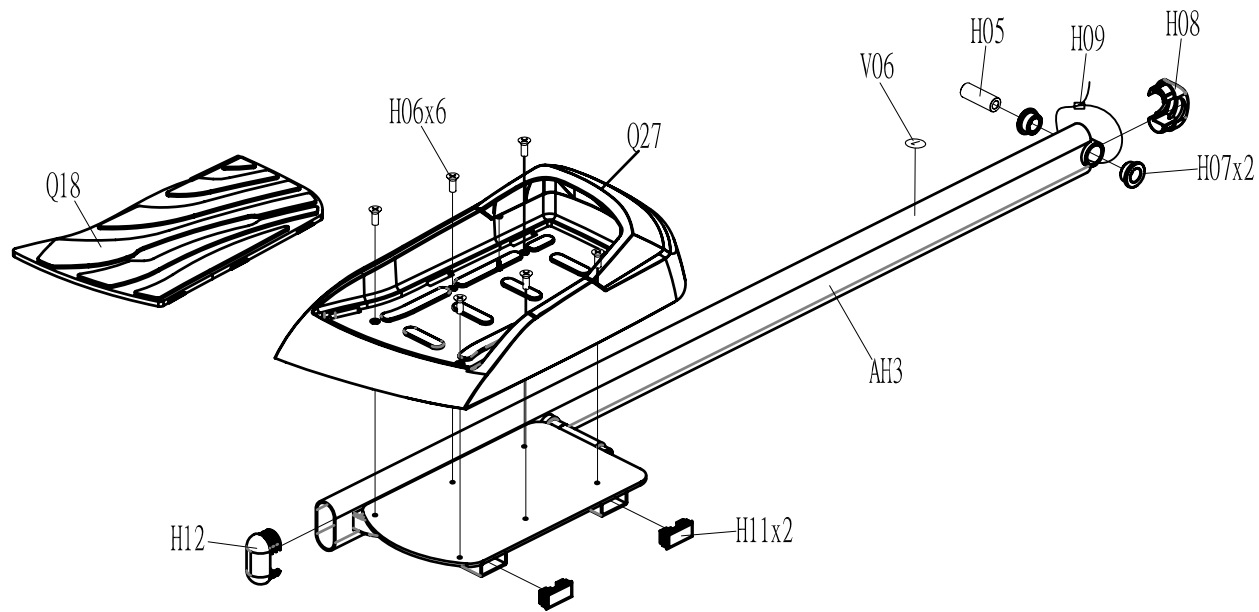
DRAWING NO	EP257-A18		
PART NAME	Low Handlebar Set - L		
SAP PART NO	1000221265	REV	A
APPROVE	Michael	DATE	092111



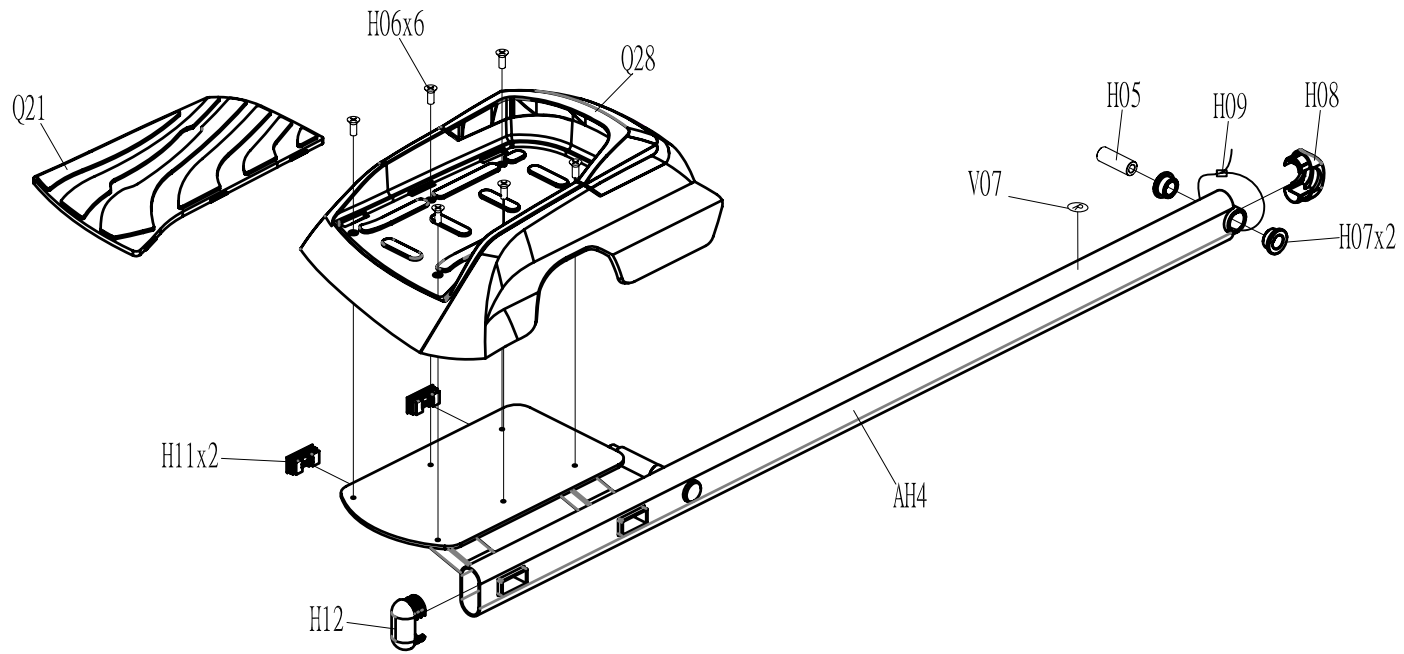
DRAWING NO	EP257-A19		
PART NAME	Low Handlebar Set - R		
SAP PART NO	1000221280	REV	A
APPROVE	Michael	DATE	092111



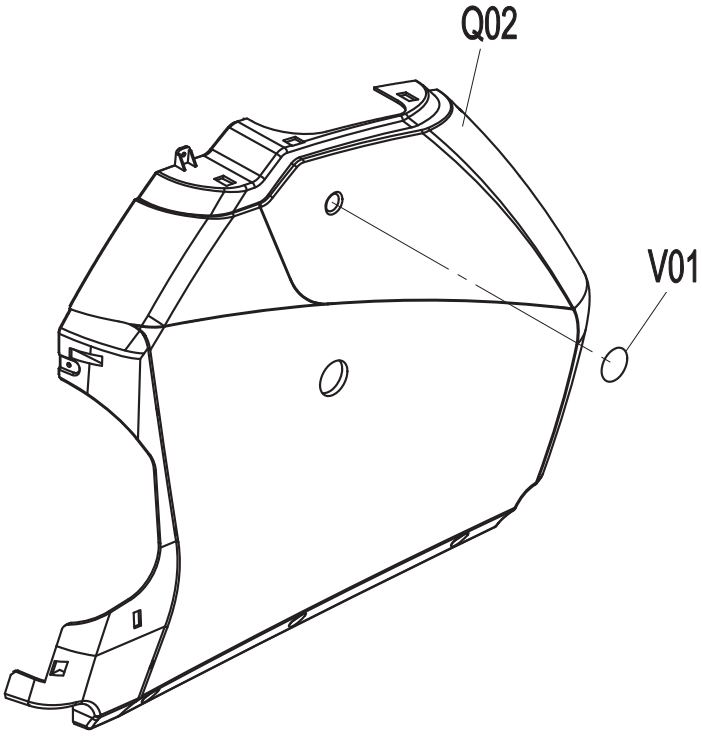
DRAWING NO	EP257-A27		
PART NAME	Linkarm Set - L		
SAP PART NO	1000308594	REV	A
APPROVE	Jack	DATE	13.05.07



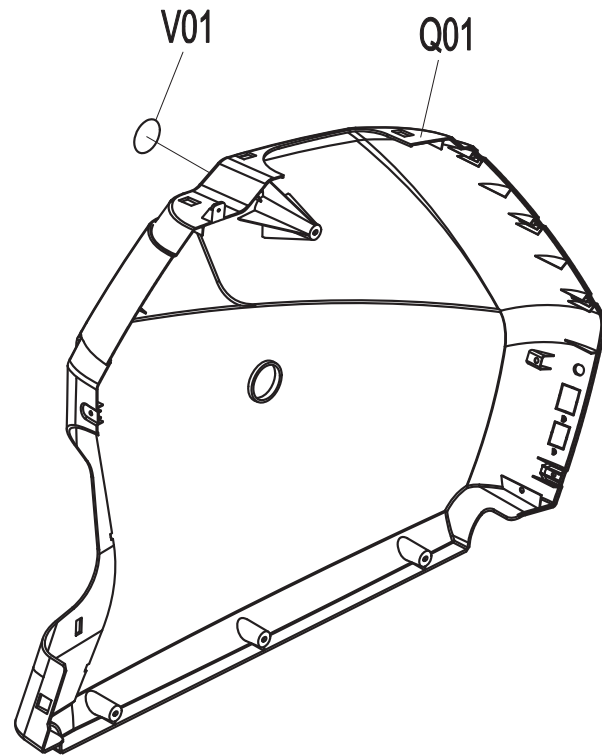
DRAWING NO	EP257-A28		
PART NAME	Linkarm Set - R		
SAP PART NO	1000308606	REV	A
APPROVE	Jack	DATE	13.05.07



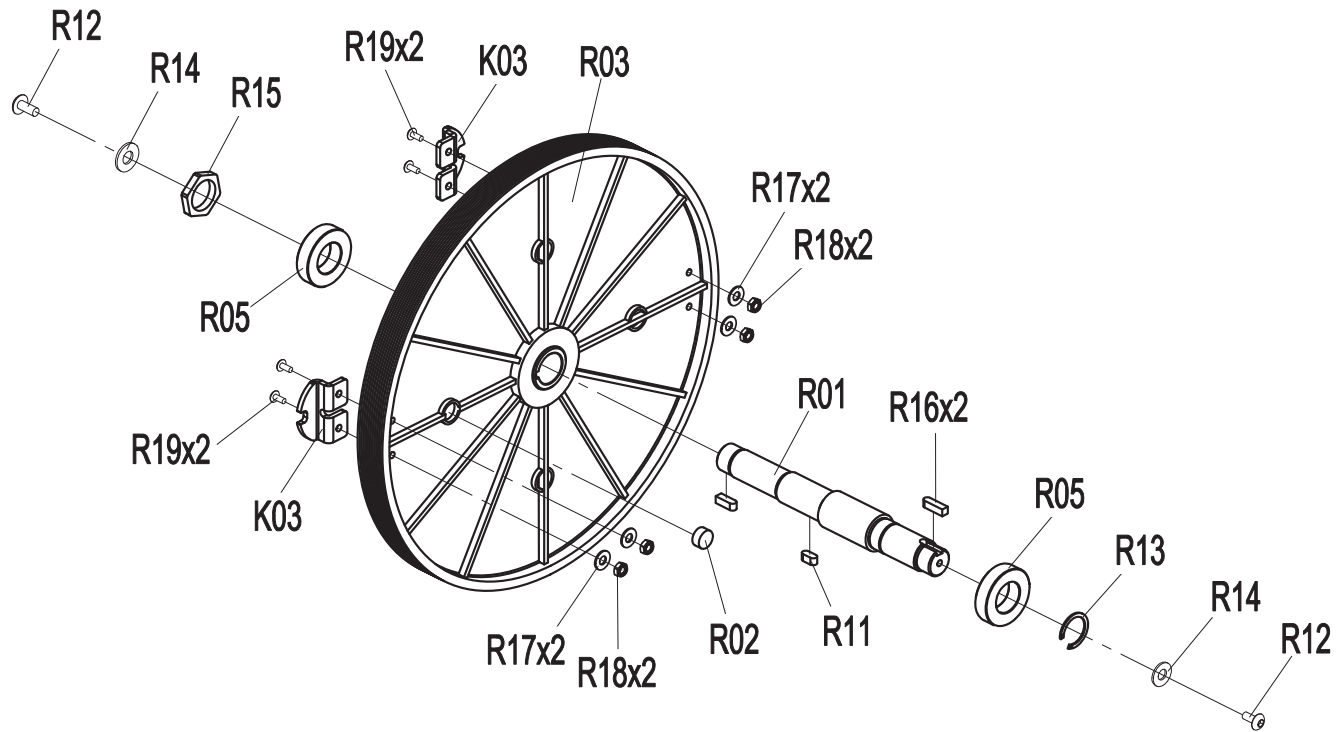
DRAWING NO	EP257-A22		
PART NAME	Cover Set - R		
SAP PART NO	1000216218	REV	A
APPROVE	Michael	DATE	092111



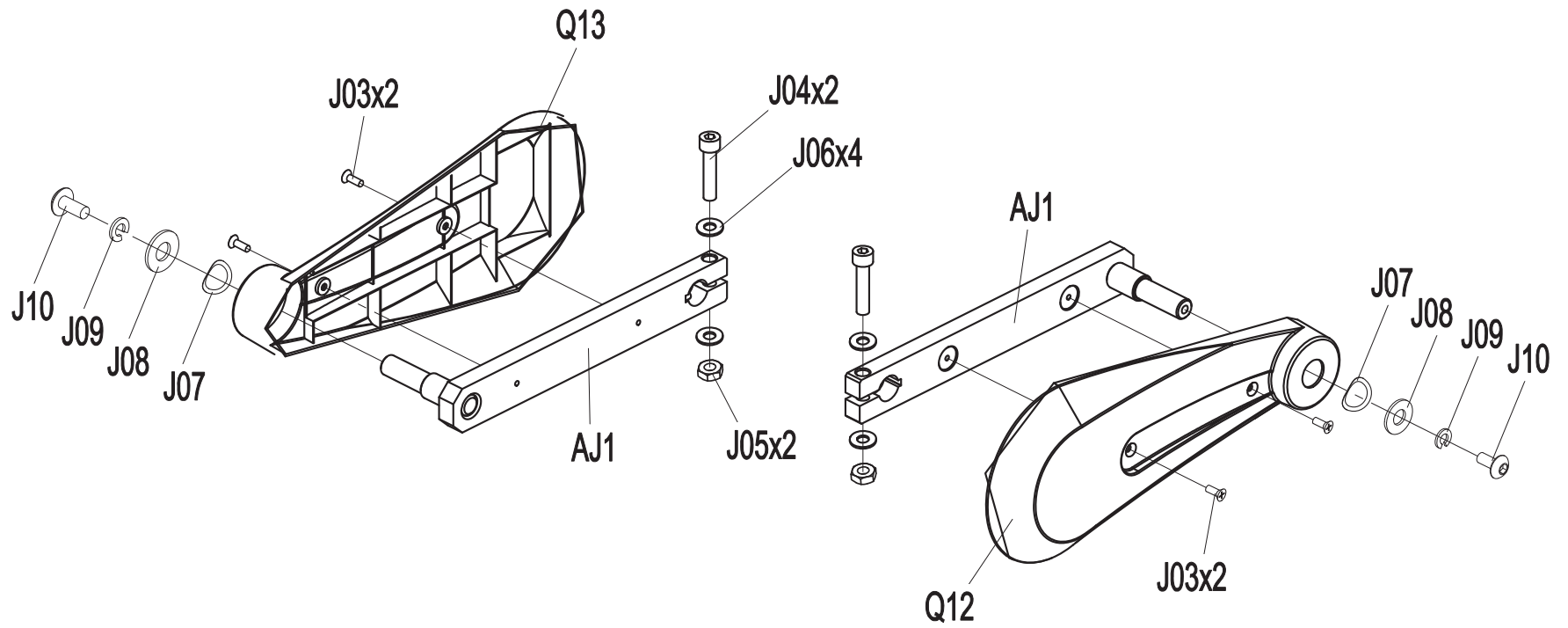
DRAWING NO	EP257-A23		
PART NAME	Cover Set - L		
SAP PART NO	1000216222	REV	A
APPROVE	Michael	DATE	092111



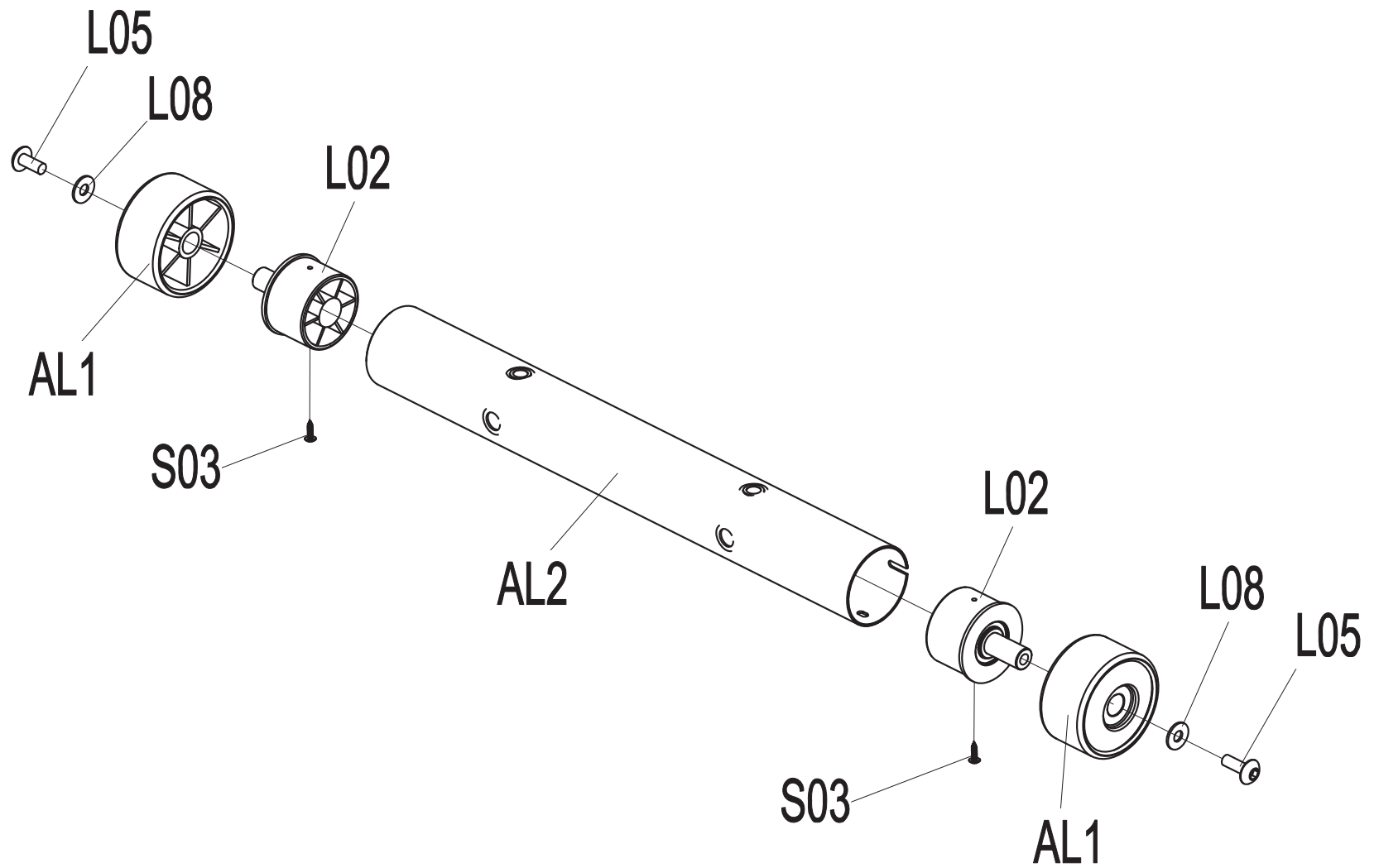
DRAWING NO	EP257-A24		
PART NAME	Drive Set		
SAP PART NO	1000216236	REV	A
APPROVE	Michael	DATE	092111



DRAWING NO	EP257-A25		
PART NAME	Crank Set		
SAP PART NO	1000216200	REV	A
APPROVE	Michael	DATE	092111



DRAWING NO	EP257-A26		
PART NAME	Stabilizer Tube Set		
SAP PART NO	1000216214	REV	B
APPROVE	Michael	DATE	092111



DRAWING NO	EP257-A30		
PART NAME	Rear Cover Set - L		
SAP PART NO	1000221792	REV	A
APPROVE	Michael	DATE	092111

