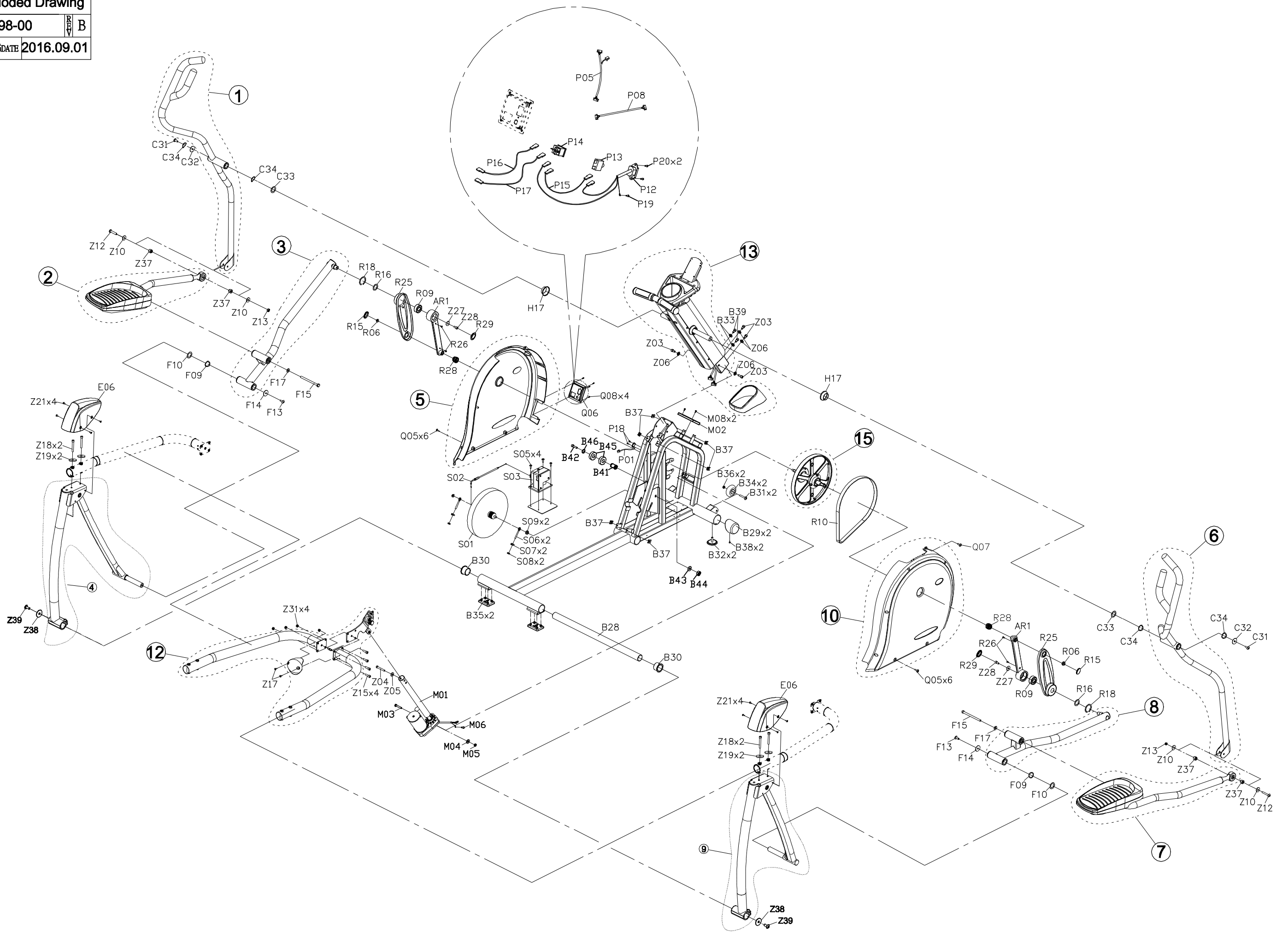
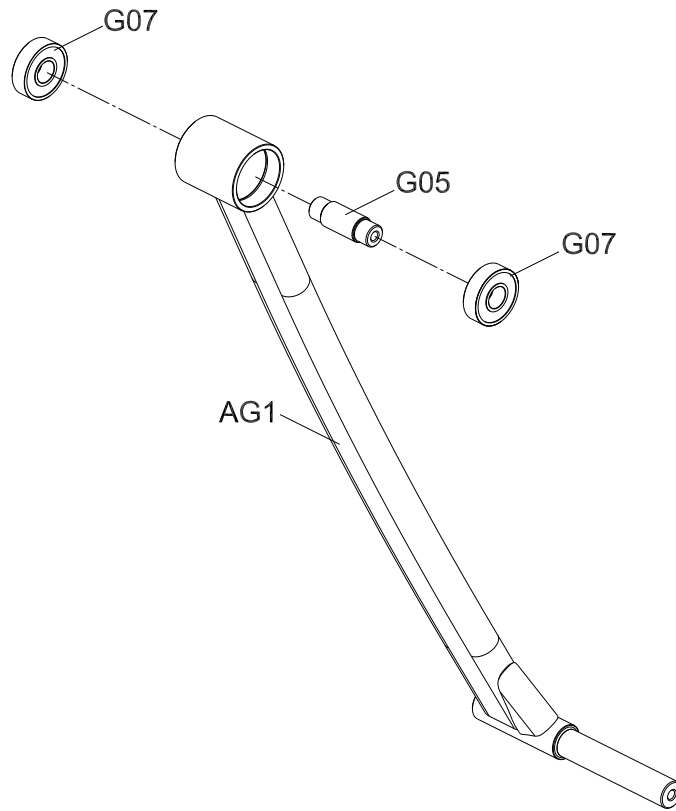


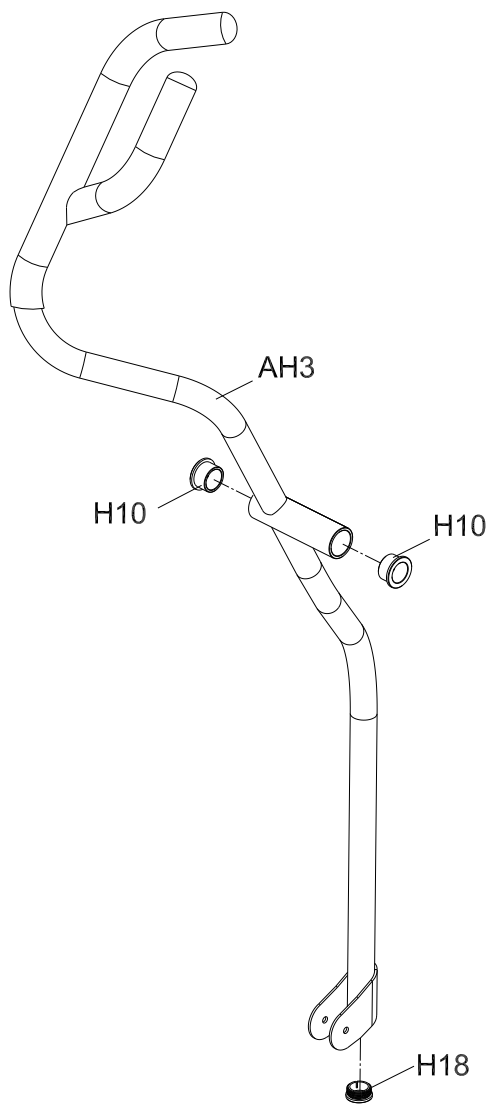
DRAWING NO	PEP213-1US		
PART NAME	Service Exploded Drawing		
PART NO	VEP0098-00	REV	B
APPROVE	WANGYONG	DATE	2016.09.01



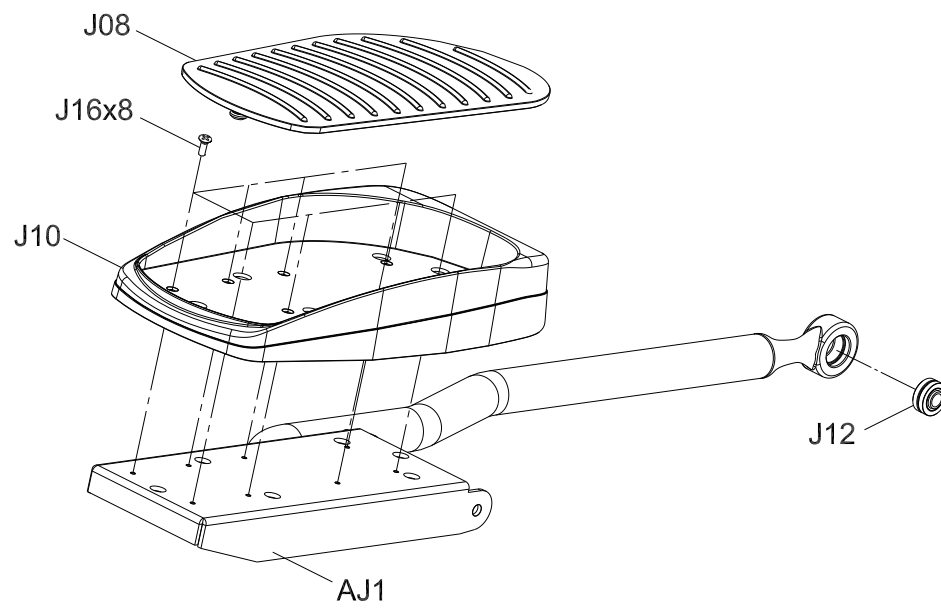
DRAWING NO	EP213-A35		
PART NAME	Hand Arm Set		
PART NO	1000100960	REV	A
APPROVE		DATE	



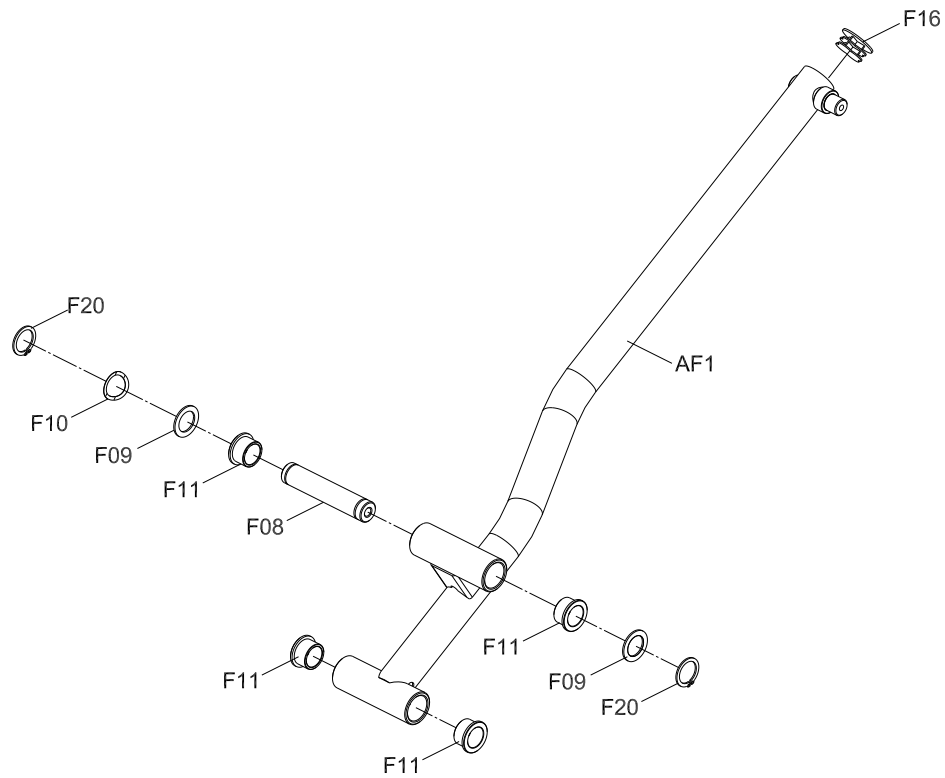
DRAWING NO	EP213-A38		
PART NAME	Left Handlebar Set		
PART NO	1000107813	REV	A
APPROVE		DATE	



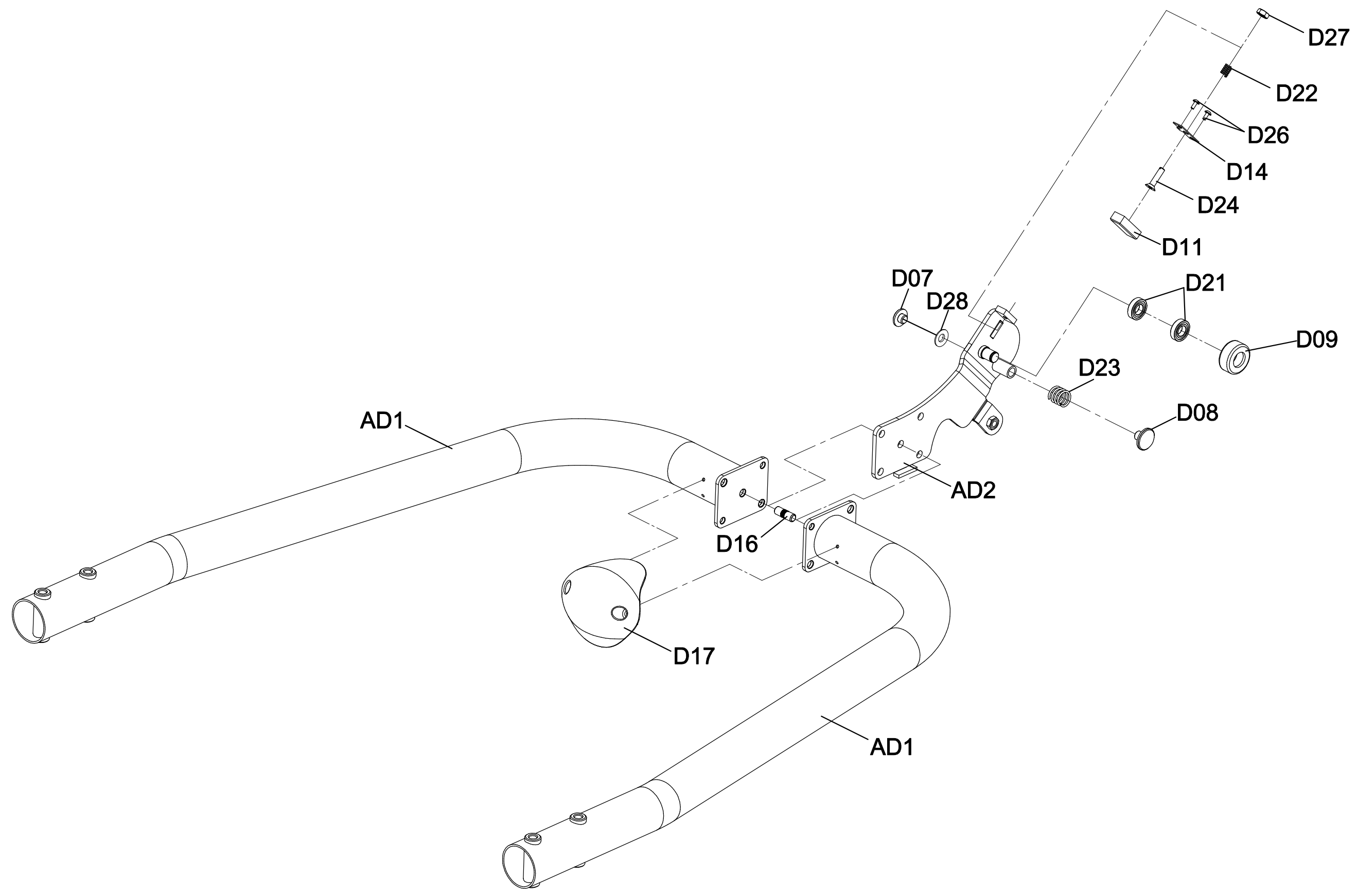
DRAWING NO	EP213-A39		
PART NAME	Left Lower Link Arm Set		
PART NO	1000107814	REV	A
APPROVE		DATE	



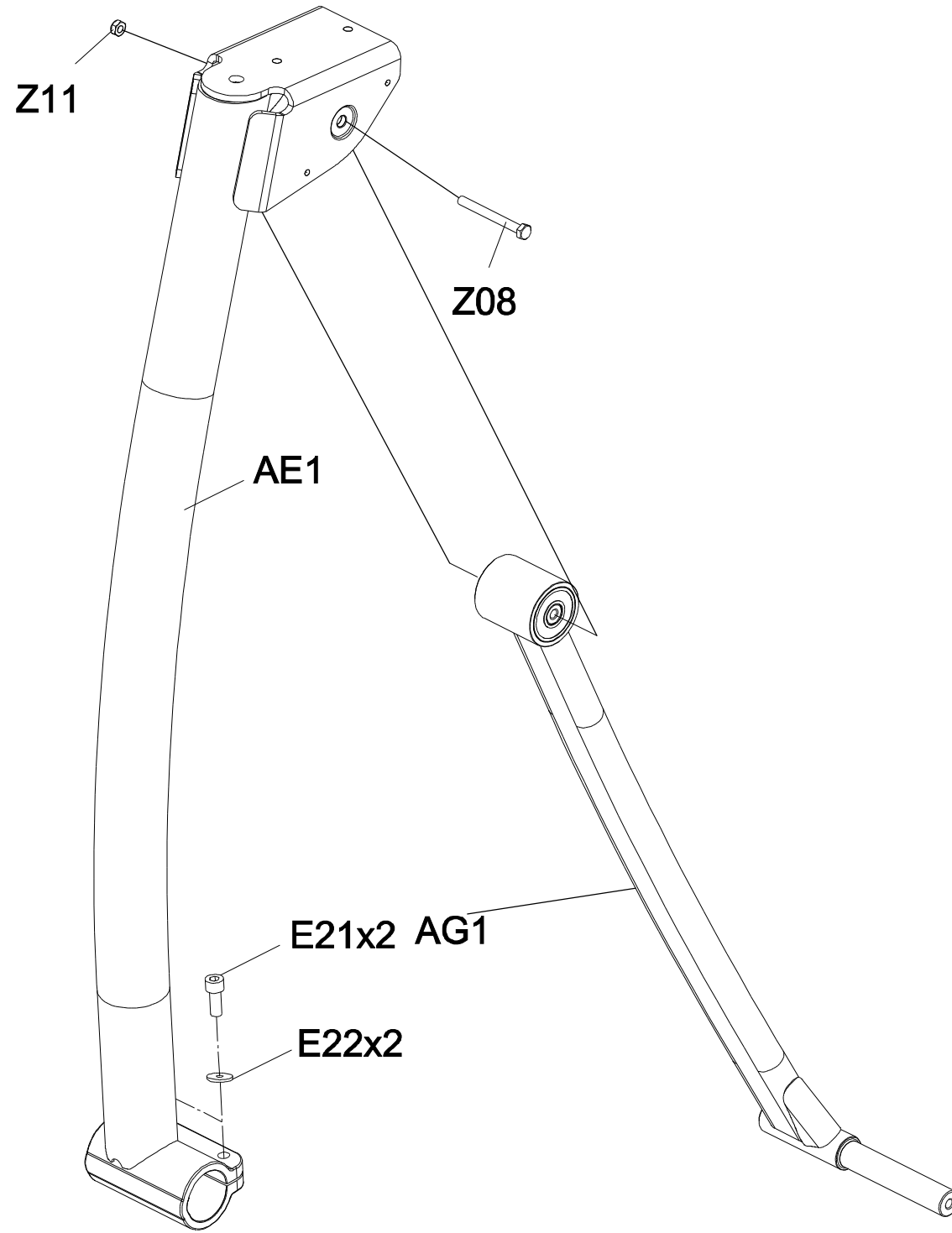
DRAWING NO	EP213-A41		
PART NAME	Left Pedal Arm Set		
PART NO	1000107816	REV	A
APPROVE		DATE	



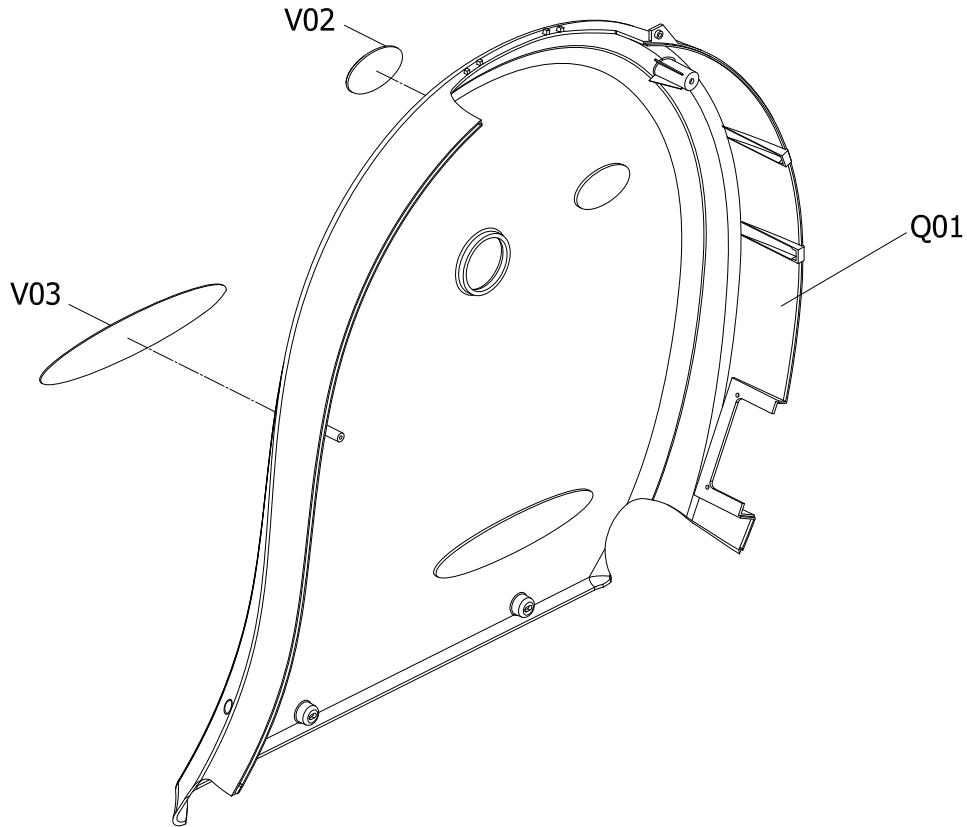
DRAWING NO	EP213-A42		
PART NAME	Top Tube Arm Set		
PART NO	1000107817	REV	B
APPROVE	Lijingm	DATE	2014.9.19



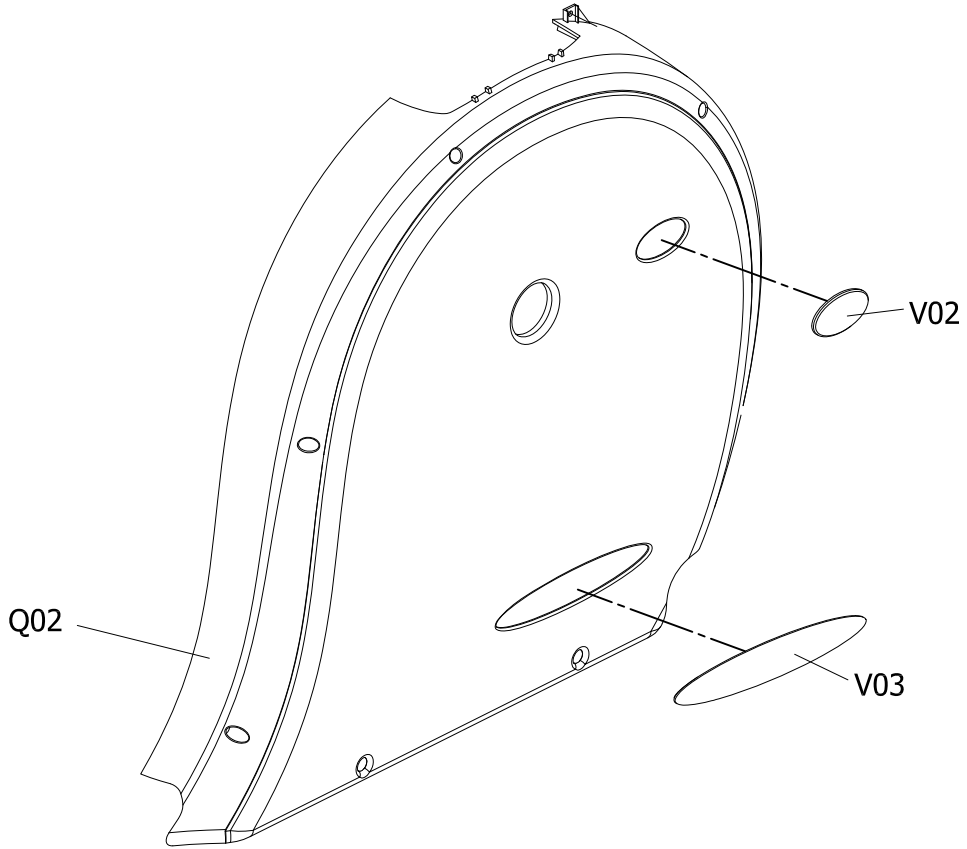
DRAWING NO	EP213-A44		
PART NAME	Left Incline Arm		
PART NO	1000107819	REV	A
APPROVE	WANGYONG	DATE	2016.08.31



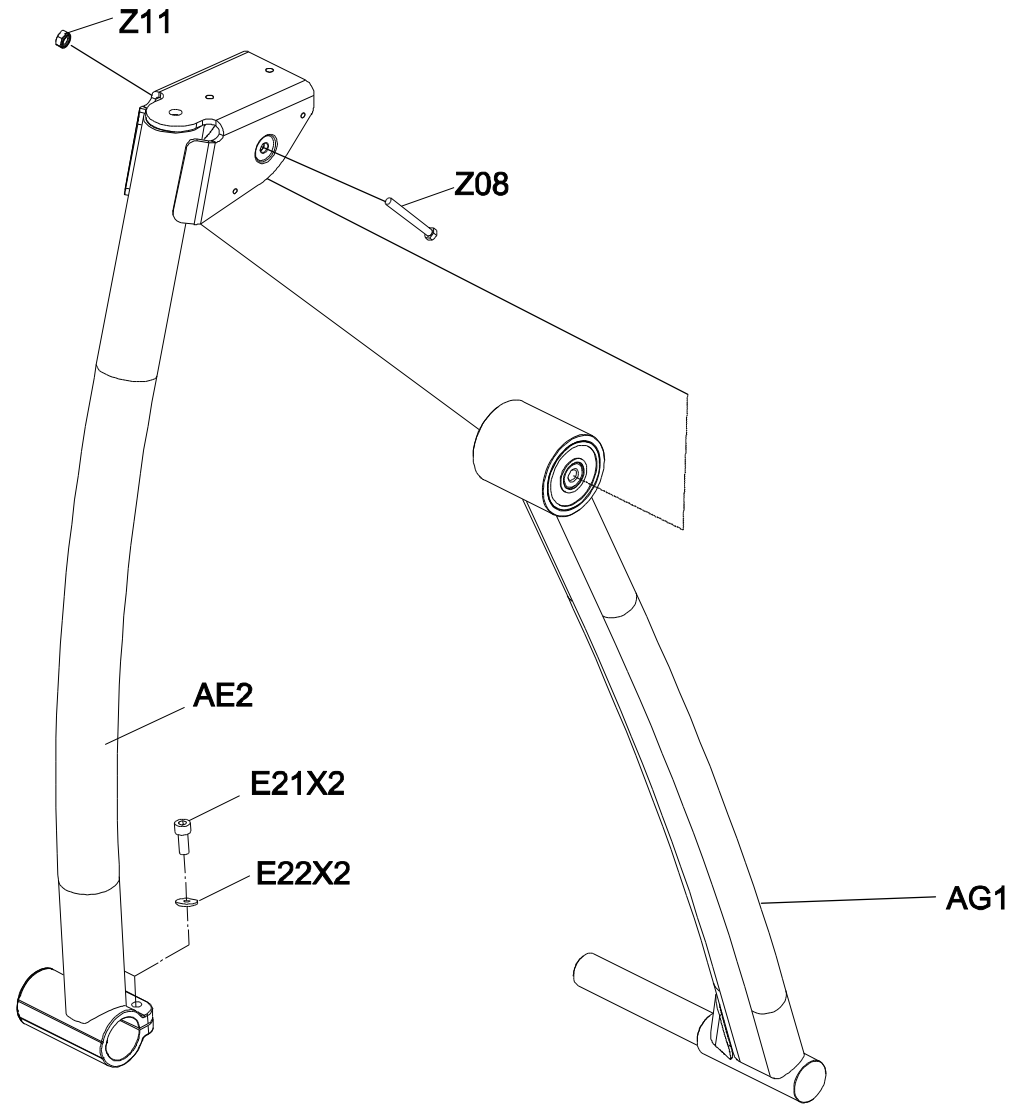
DRAWING NO	EP213-A18		
PART NAME	Left Side Cover Set		
PART NO	1000107822	REV	A
APPROVE		DATE	



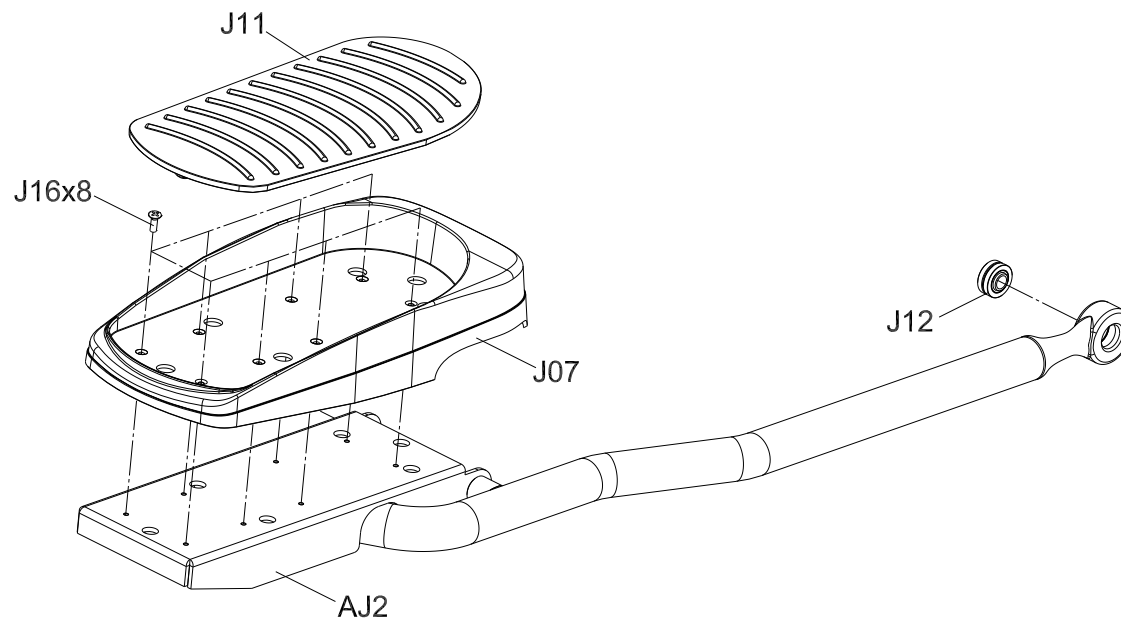
DRAWING NO	EP213-A24		
PART NAME	Right Side Cover Set		
PART NO	1000107830		A
APPROVE		DATE	



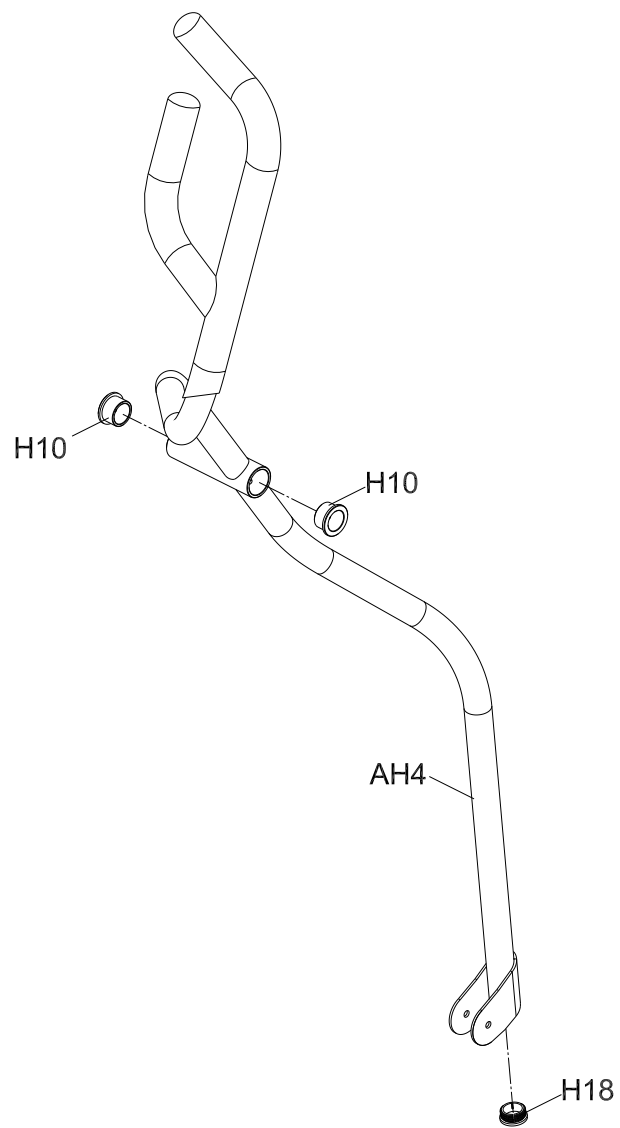
DRAWING NO	EP213-A25		
PART NAME	Right Incline Arm		
PART NO	1000107831	REV	A
APPROVE	WANGYONG	DATE	2017.08.16



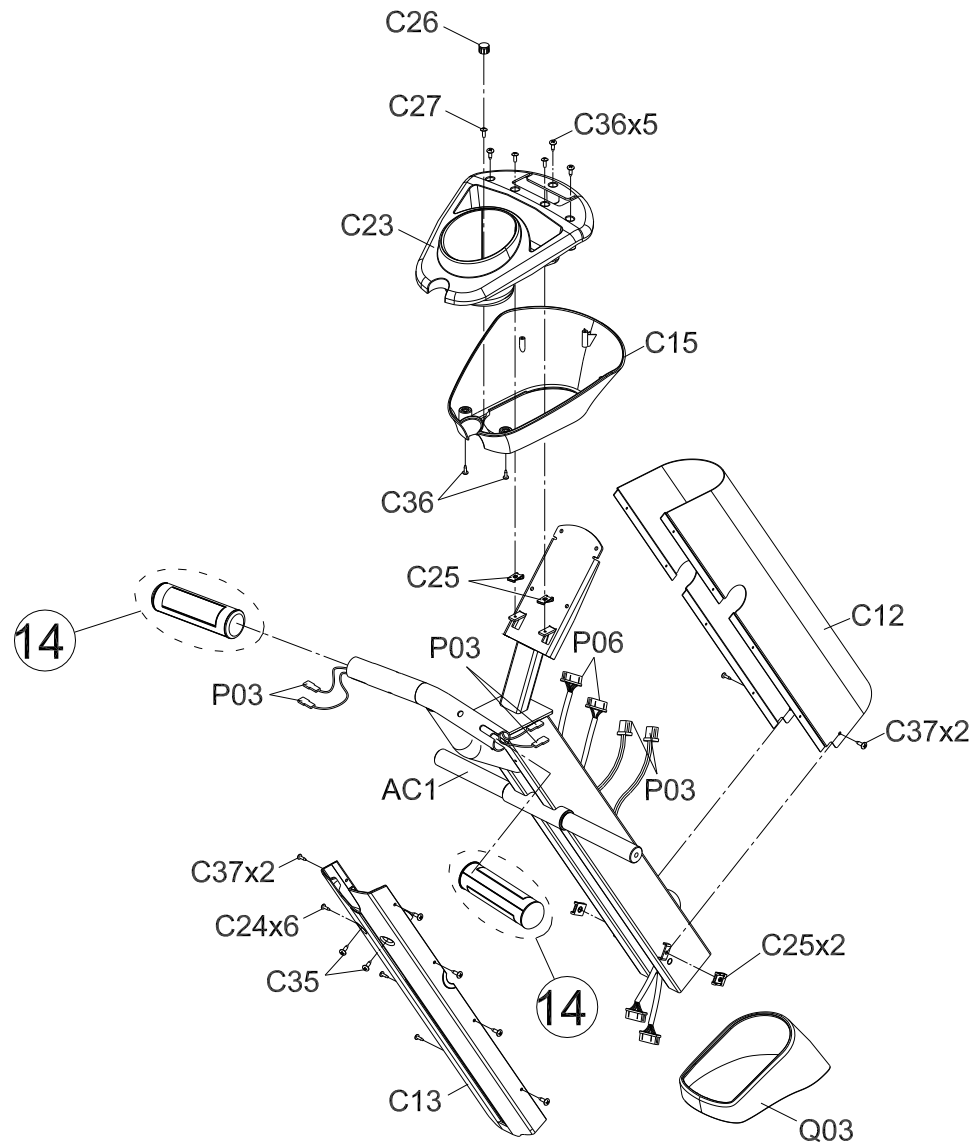
DRAWING NO	EP213-A26		
PART NAME	Right Lower Link Arm Set		
PART NO	1000107832	REV	A
APPROVE		DATE	



DRAWING NO	EP213-A29		
PART NAME	Left Handlebar Set		
PART NO	1000107835	REV	A
APPROVE		DATE	



DRAWING NO	EP213-A45		
PART NAME	Console Mast Set		
PART NO	1000201512	REV	A
APPROVE		DATE	



DRAWING NO	EP213-A37		
PART NAME	Drive Axle Set		
PART NO	1000204086	REV	A
APPROVE		DATE	

