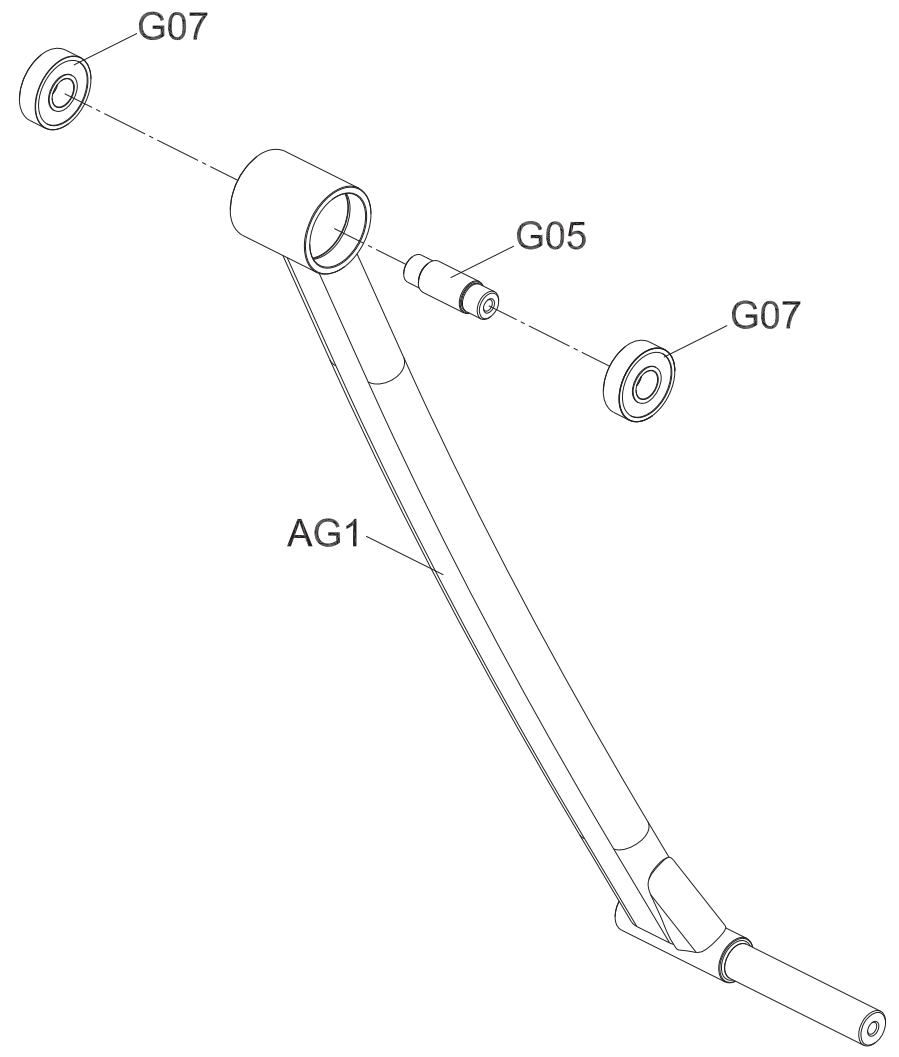
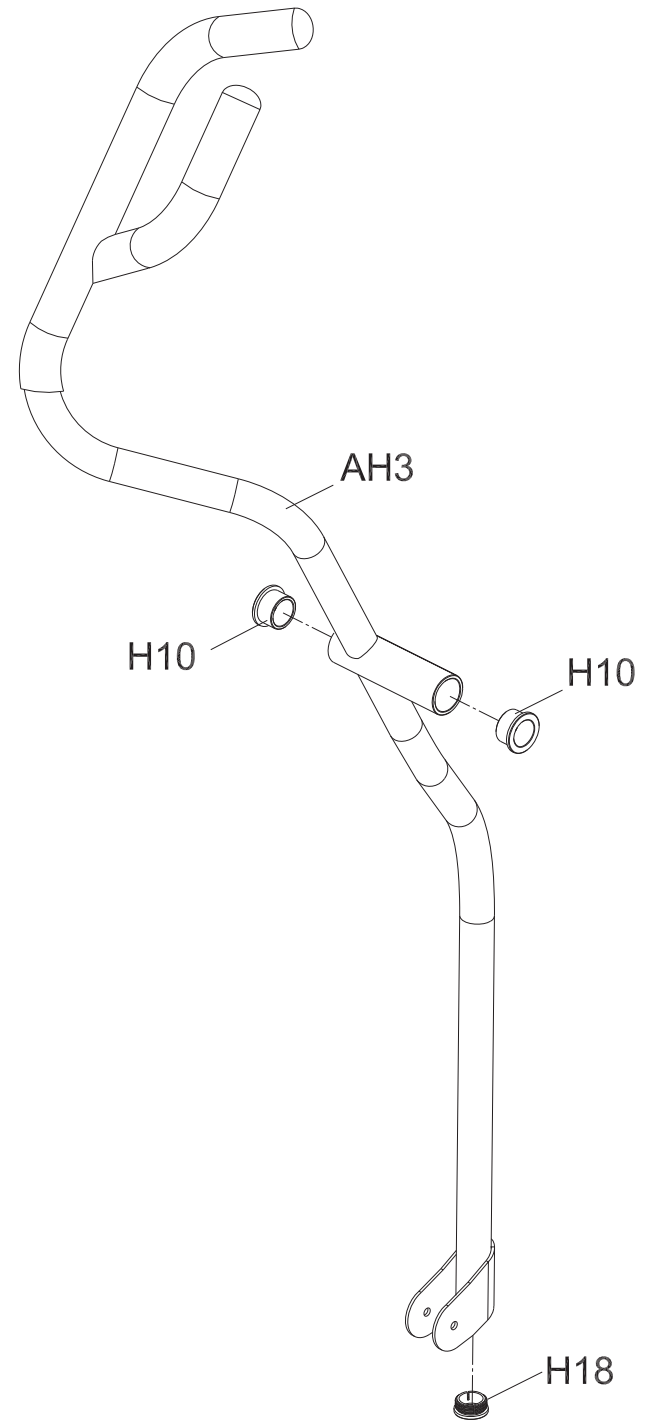


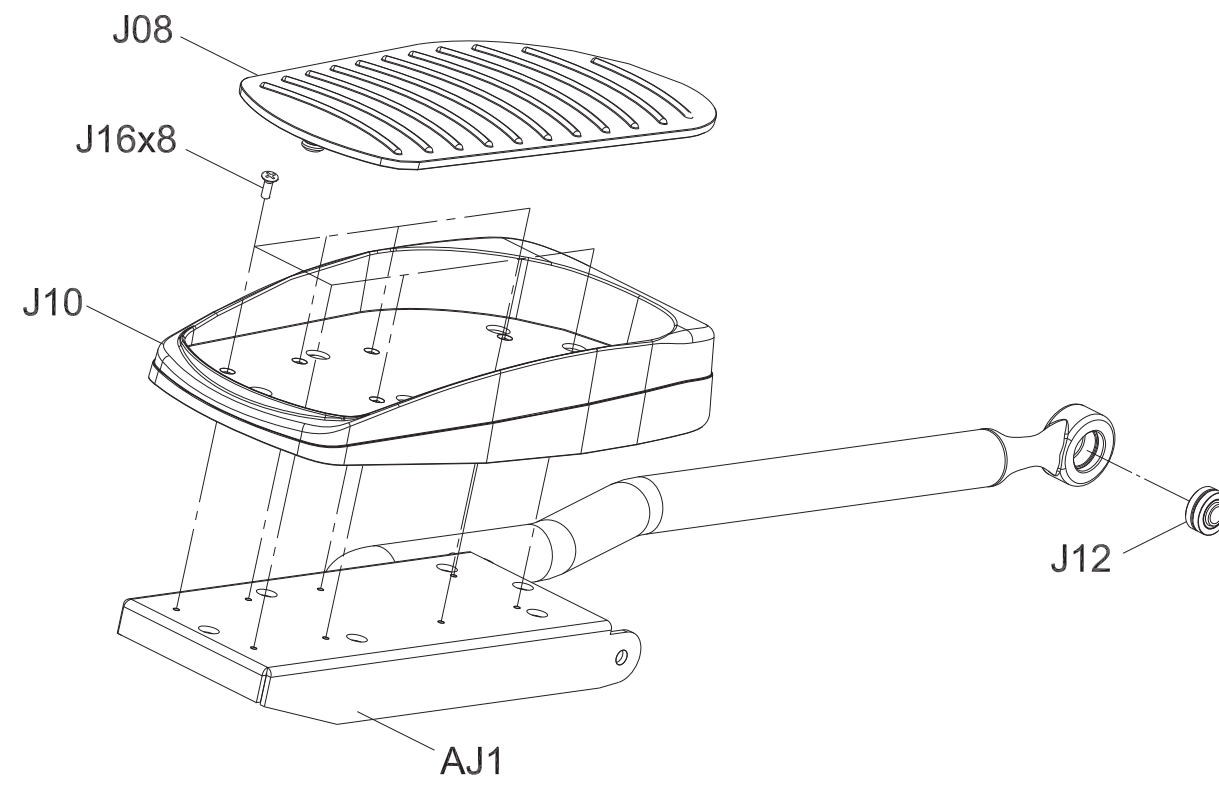
DRAWING NO	EP213-A35		
PART NAME	Hand Arm Set		
PART NO	1000100960	REV	A
APPROVE		DATE	



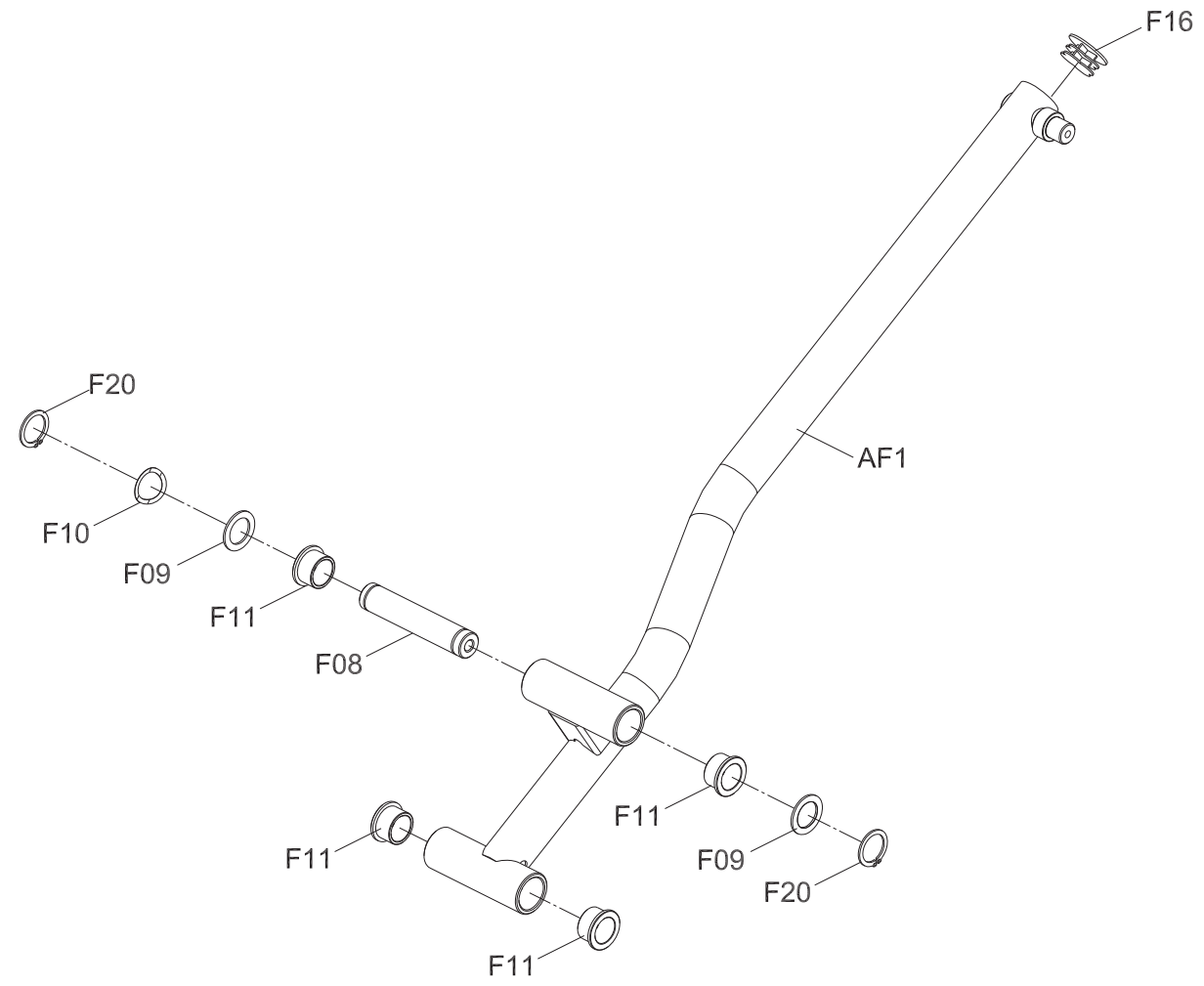
DRAWING NO	EP213-A38		
PART NAME	Left Handlebar Set		
PART NO	1000107813	REV	A
APPROVE		DATE	



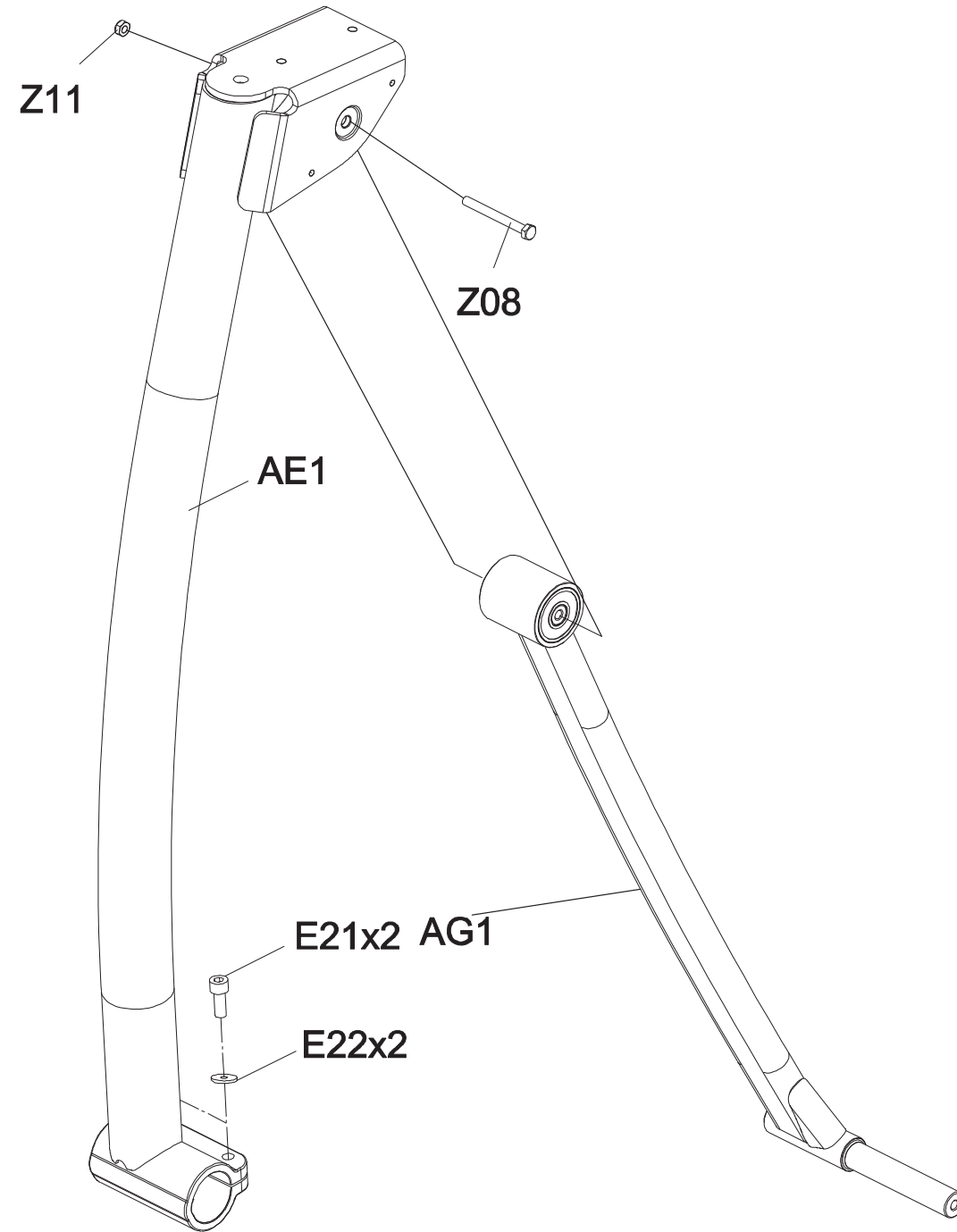
DRAWING NO	EP213-A39		
PART NAME	Left Lower Link Arm Set		
PART NO	1000107814	REV	A
APPROVE		DATE	



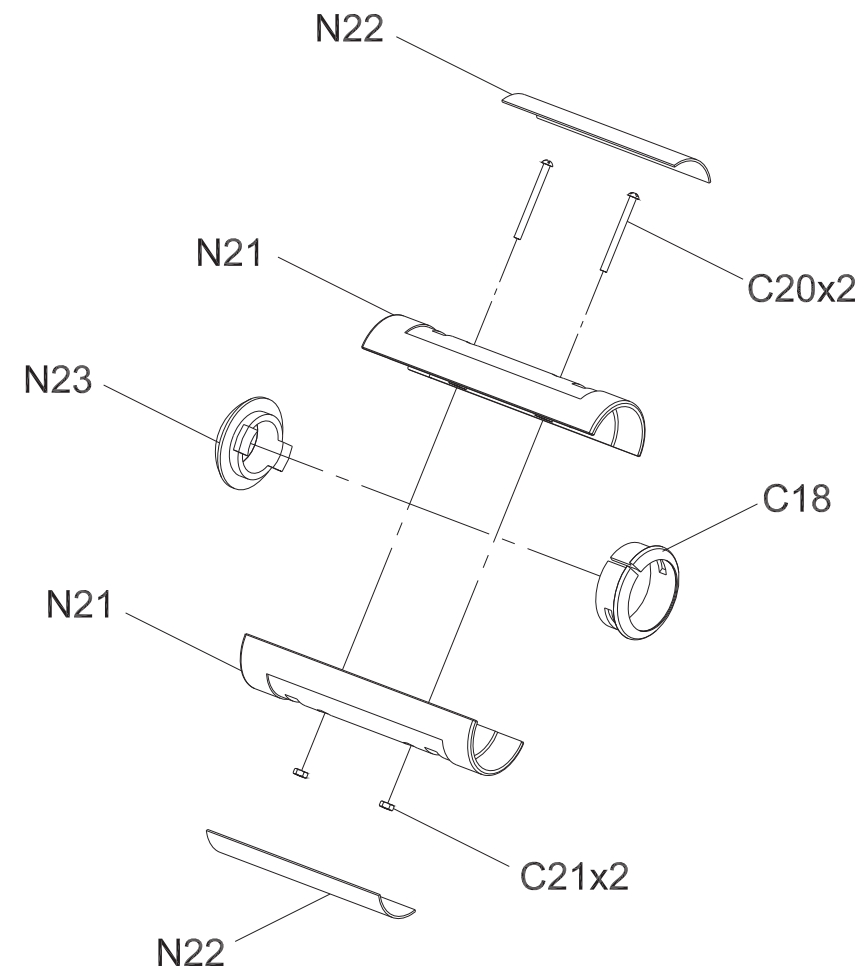
DRAWING NO	EP213-A41		
PART NAME	Left Pedal Arm Set		
PART NO	1000107816	REV	A
APPROVE		DATE	



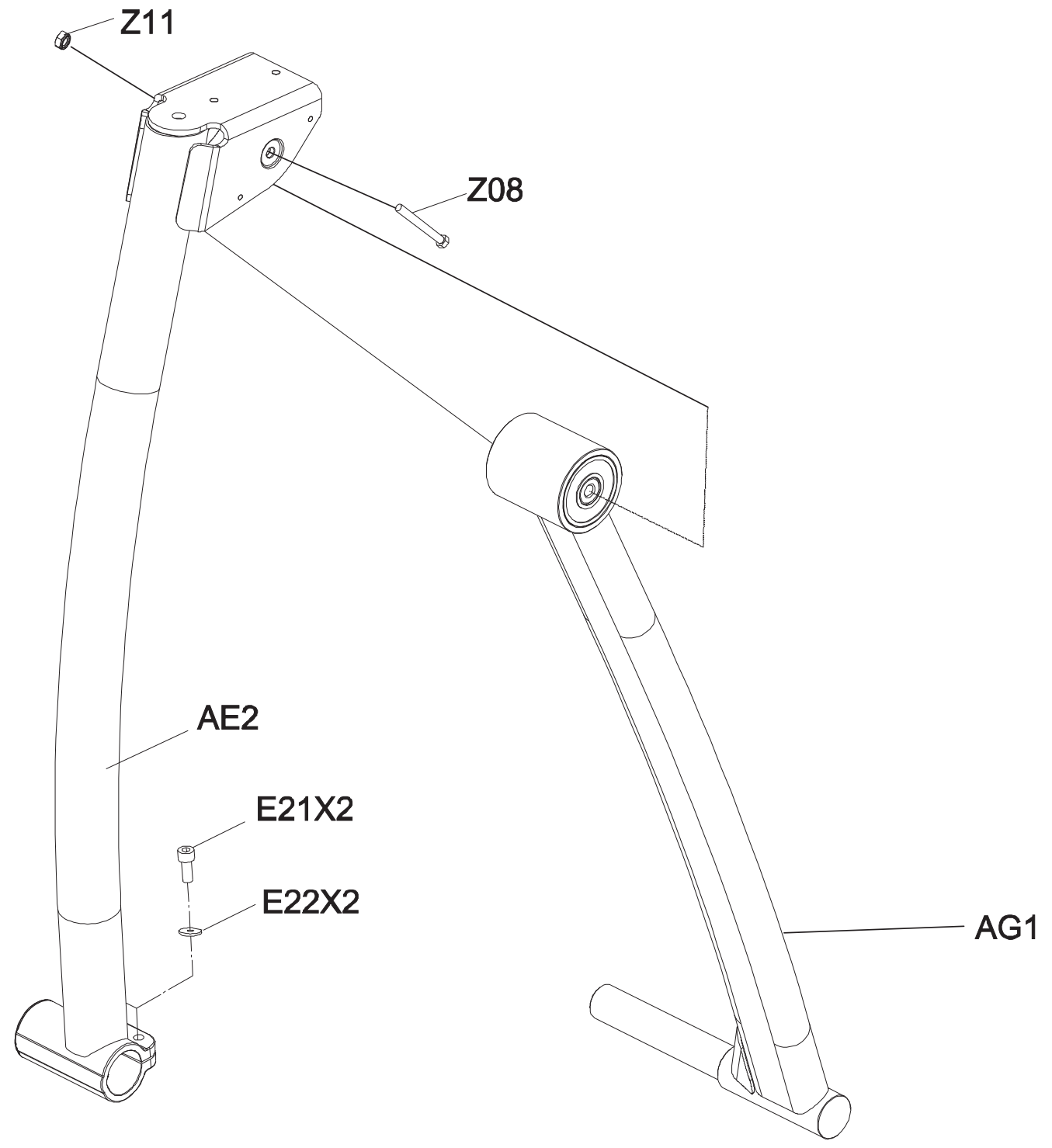
DRAWING NO	EP213-A44		
PART NAME	Left Incline Arm		
PART NO	1000107819	REV	A
APPROVE	WANGYONG	DATE	2016.08.31



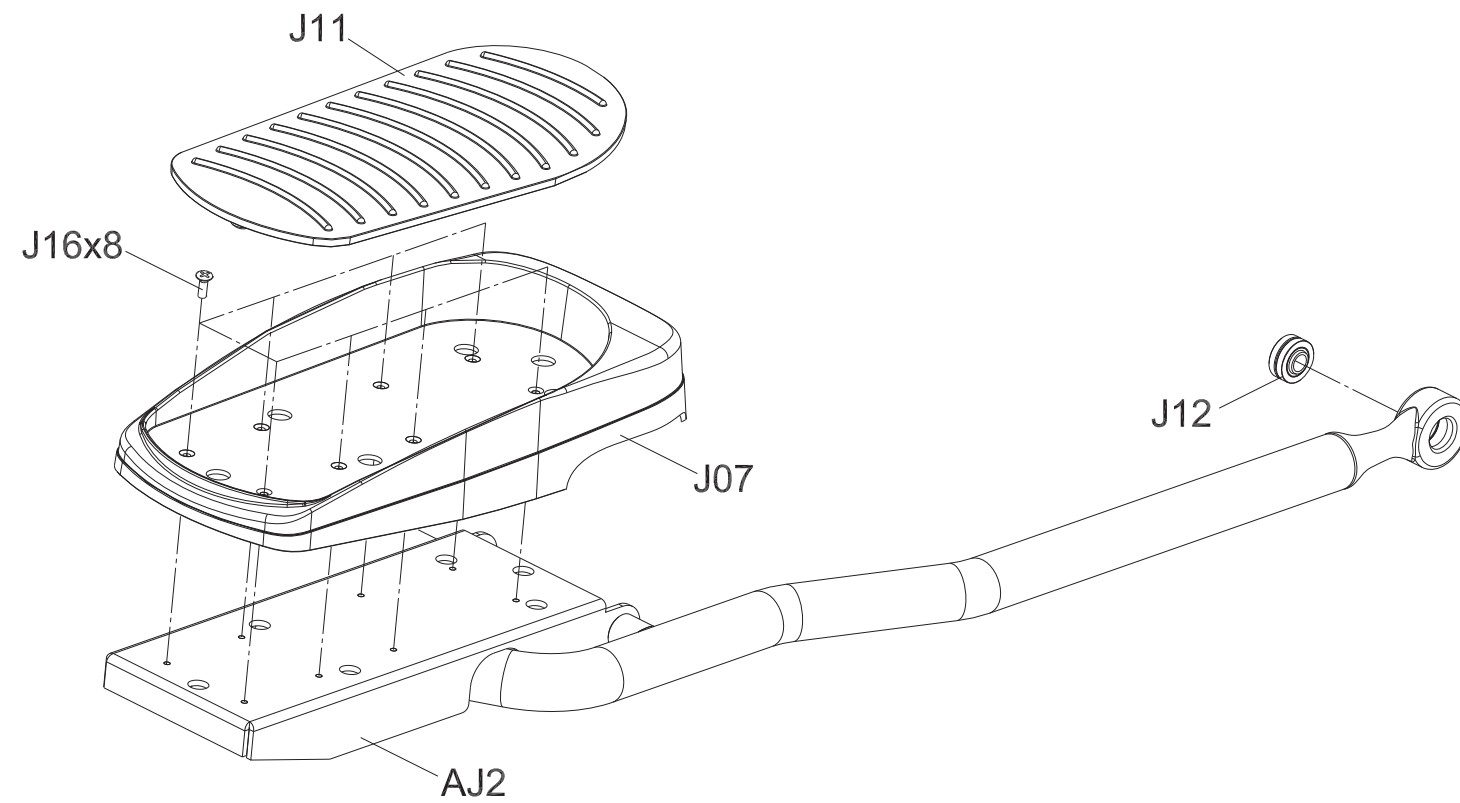
DRAWING NO	EP213-A19		
PART NAME	Handle Pulse Sensor Set		
PART NO	1000107823	REV	A
APPROVE		DATE	



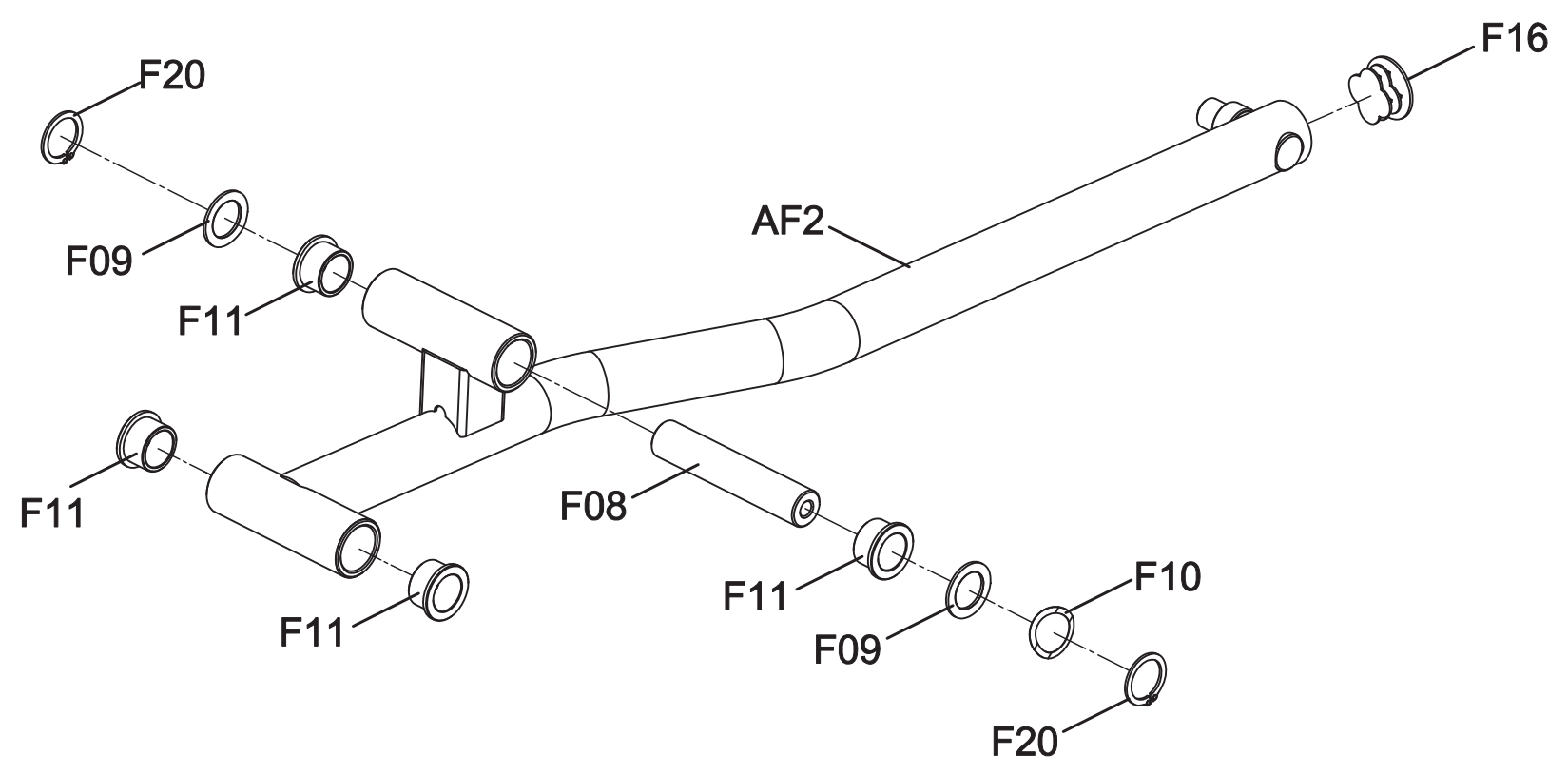
DRAWING NO	EP213-A25		
PART NAME	Right Incline Arm		
PART NO	1000107831	REV	A
APPROVE	WANGYONG	DATE	2017.08.16



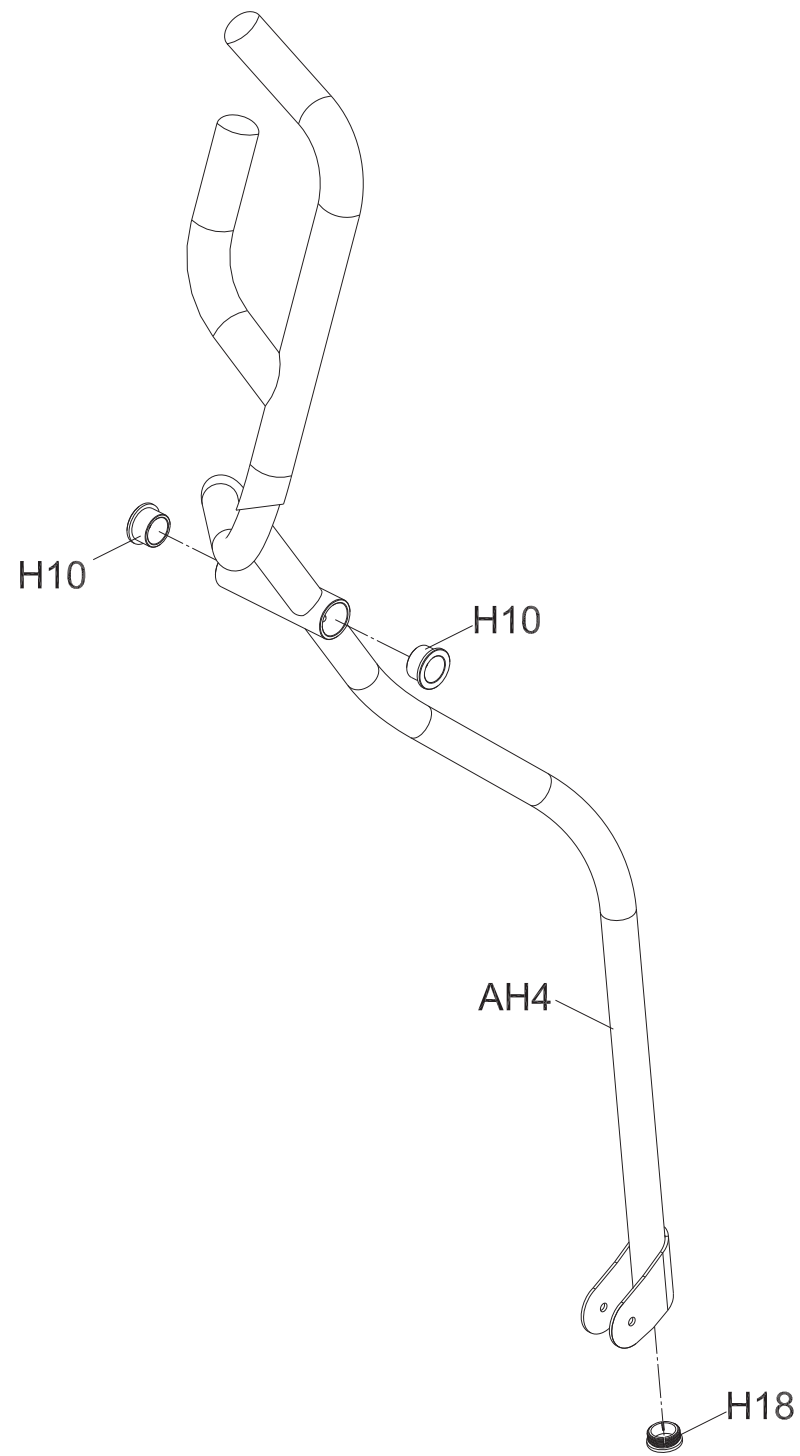
DRAWING NO	EP213-A26		
PART NAME	Right Lower Link Arm Set		
PART NO	1000107832	REV	A
APPROVE		DATE	



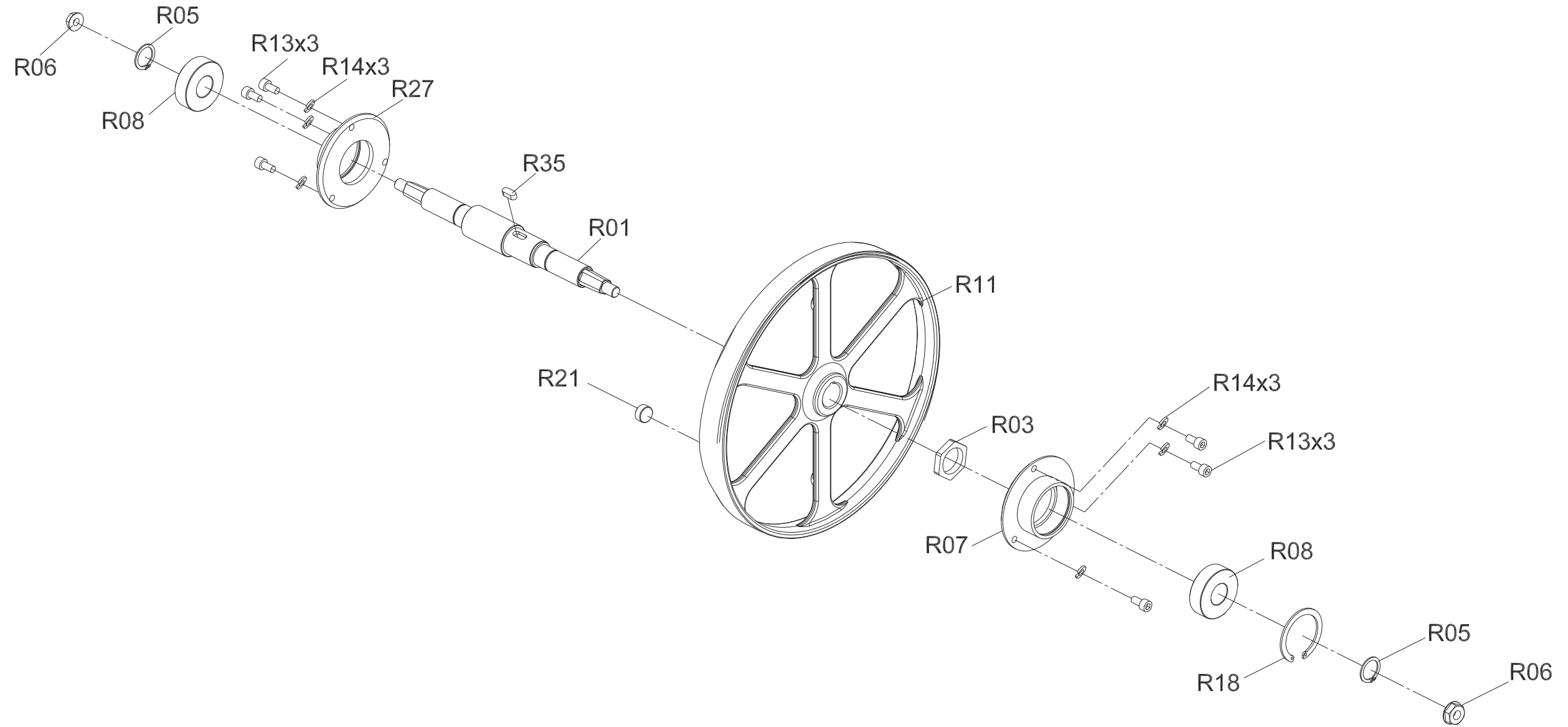
DRAWING NO	EP213-A27		
PART NAME	Right Pedal Arm Set		
PART NO	1000107833	REV	A
APPROVE	Yangweiq	DATE	2013.12.17



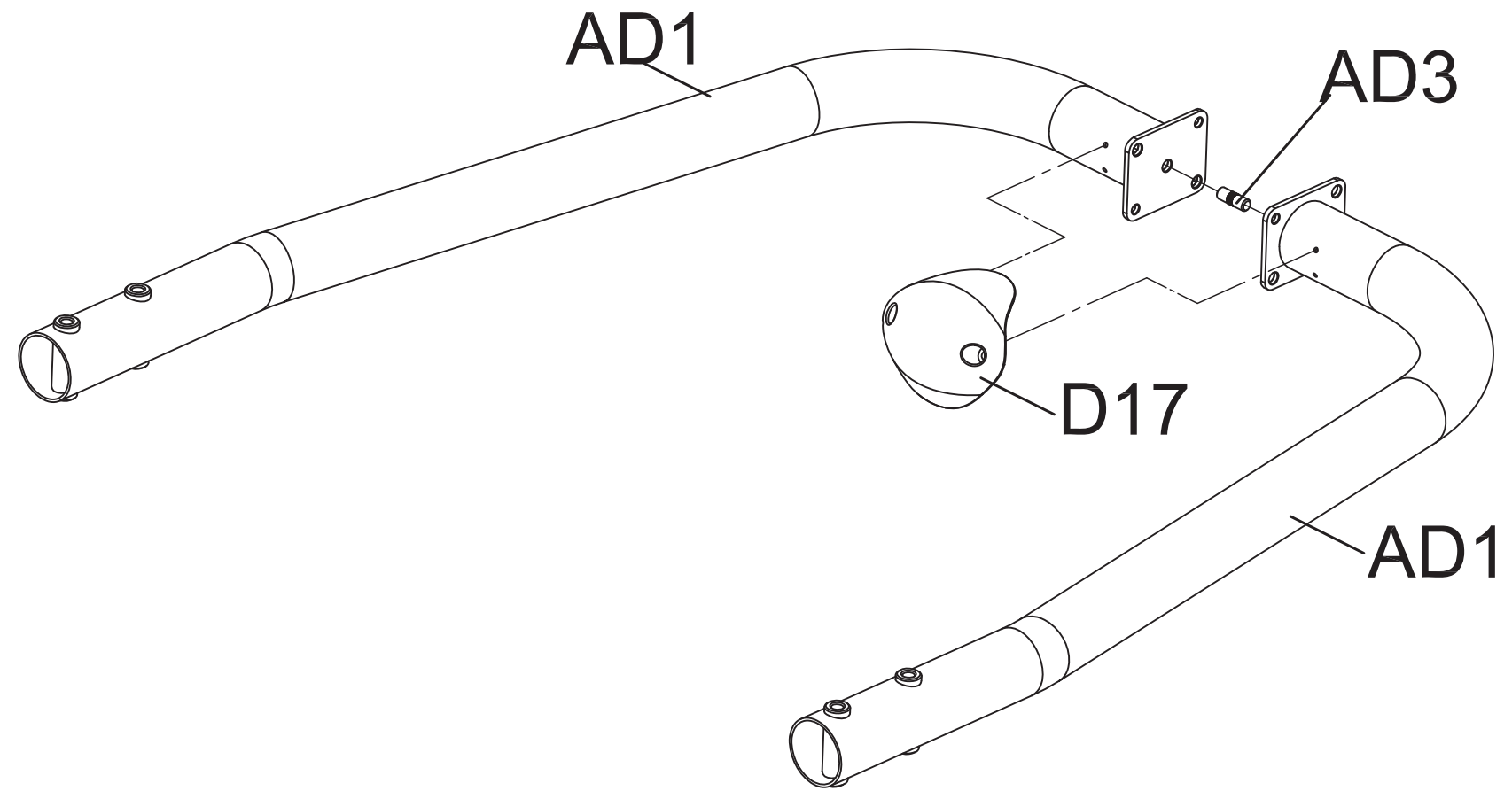
DRAWING NO	EP213-A29		
PART NAME	Left Handlebar Set		
PART NO	1000107835	REV	A
APPROVE		DATE	



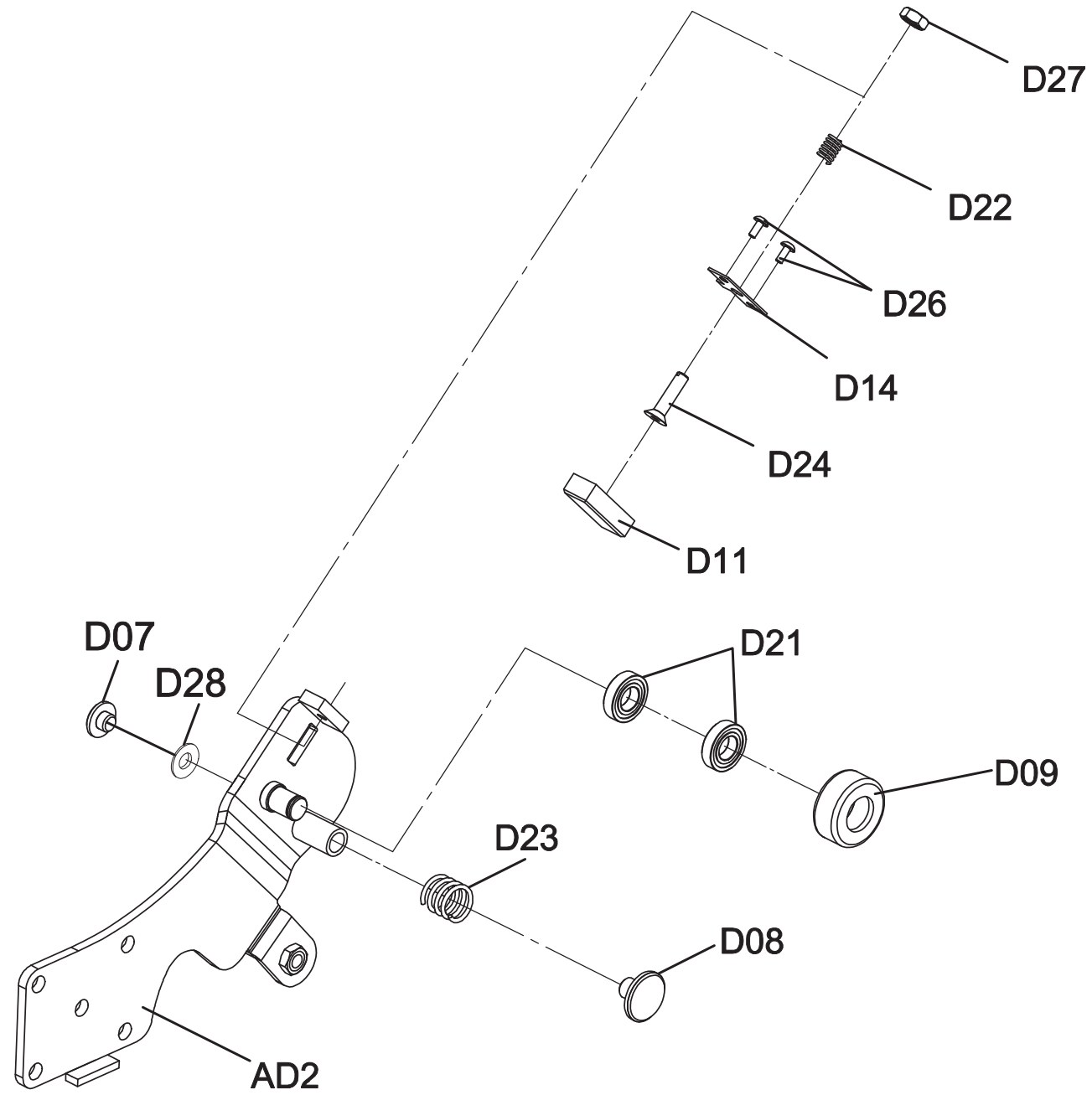
DRAWING NO	EP213-A37		
PART NAME	Drive Axle Set		
PART NO	1000204086	REV	A
APPROVE		DATE	



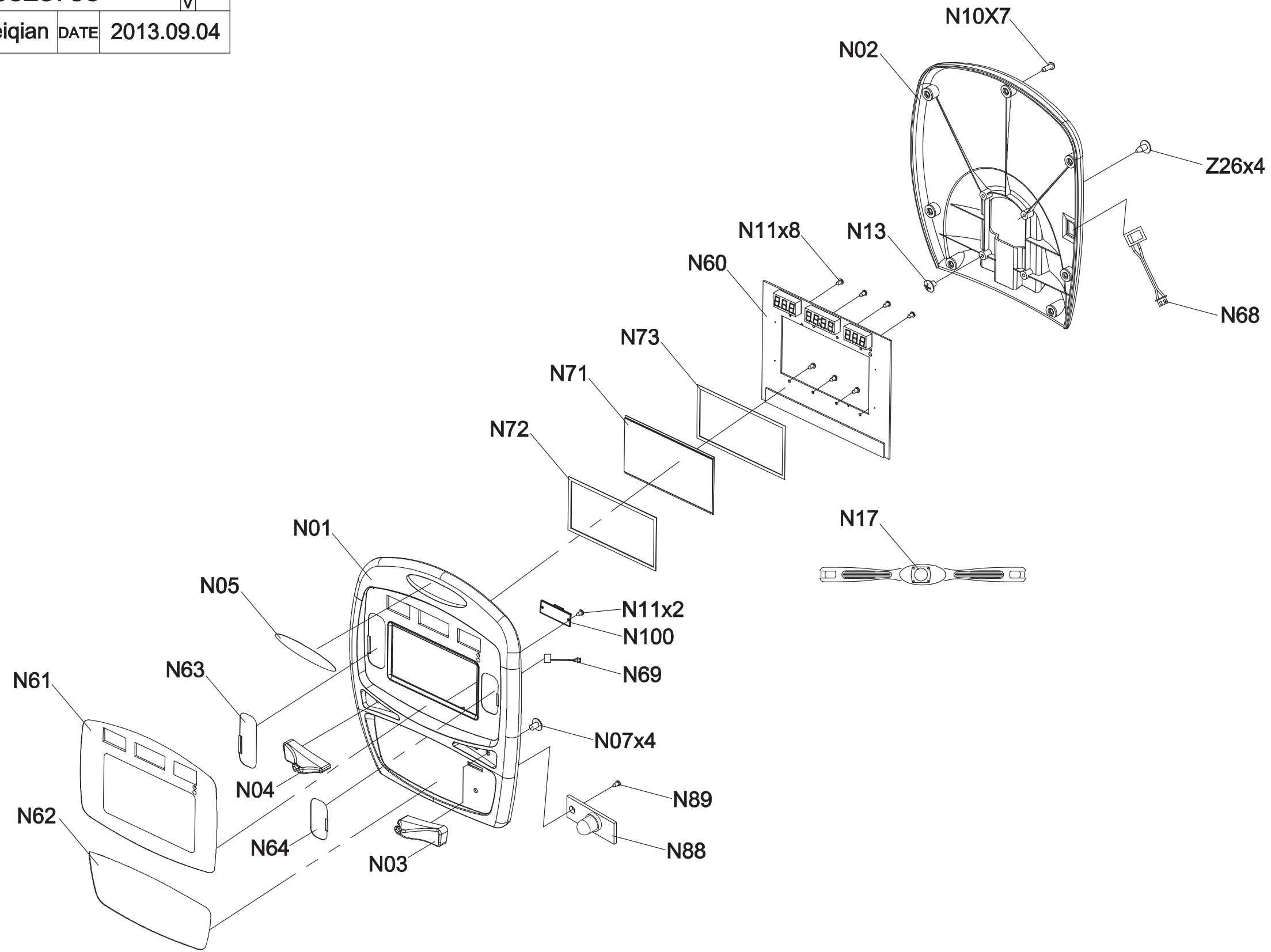
DRAWING NO	EP271-A12		
PART NAME	Top Tube Arm Set		
PART NO	1000232484	REV	A
APPROVE		DATE	



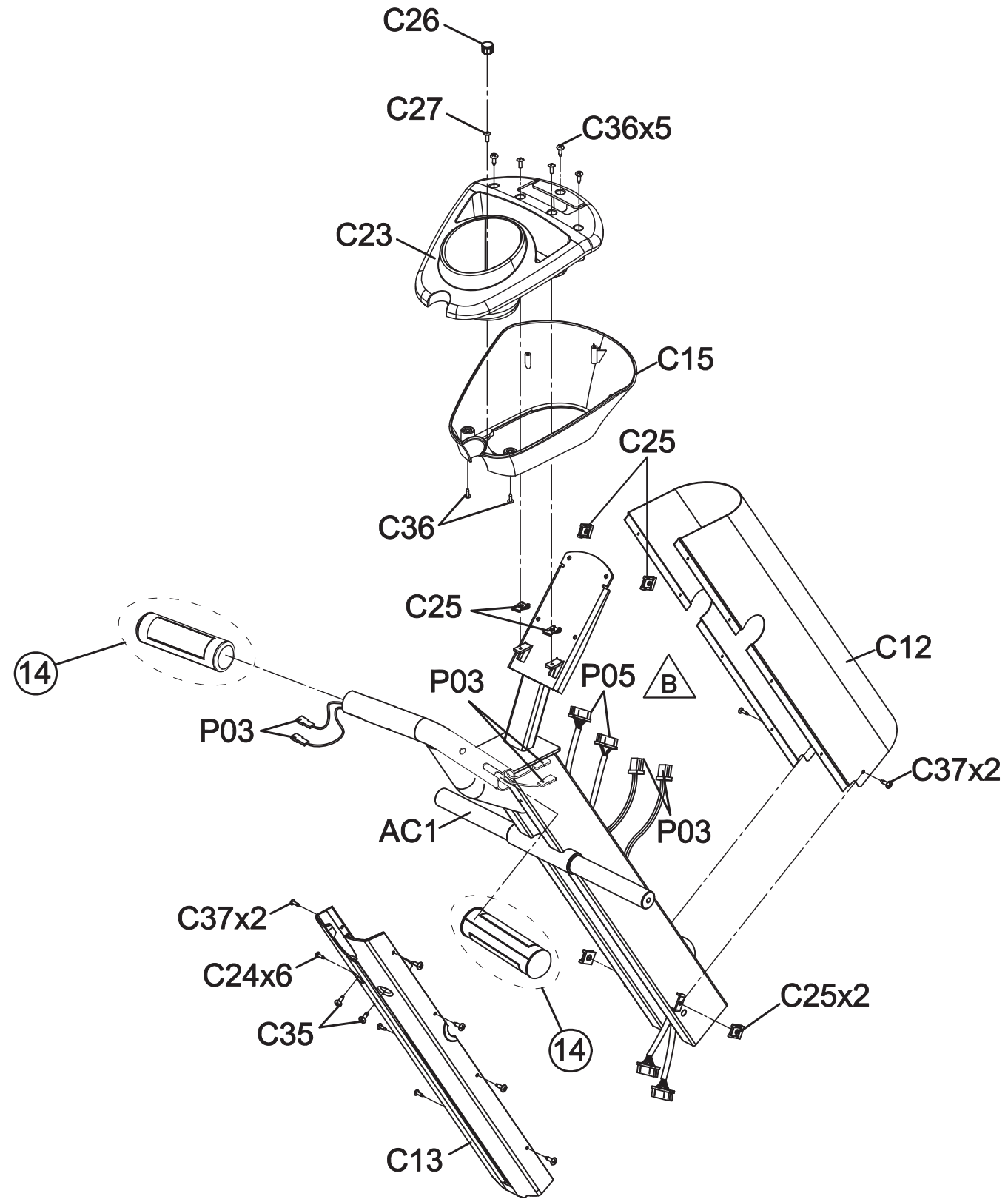
DRAWING NO	EP271-A15		
PART NAME	Elevation Fixing Plate Set		
PART NO	1000232707	REV	B
APPROVE	Li jm	DATE	2014.9.19



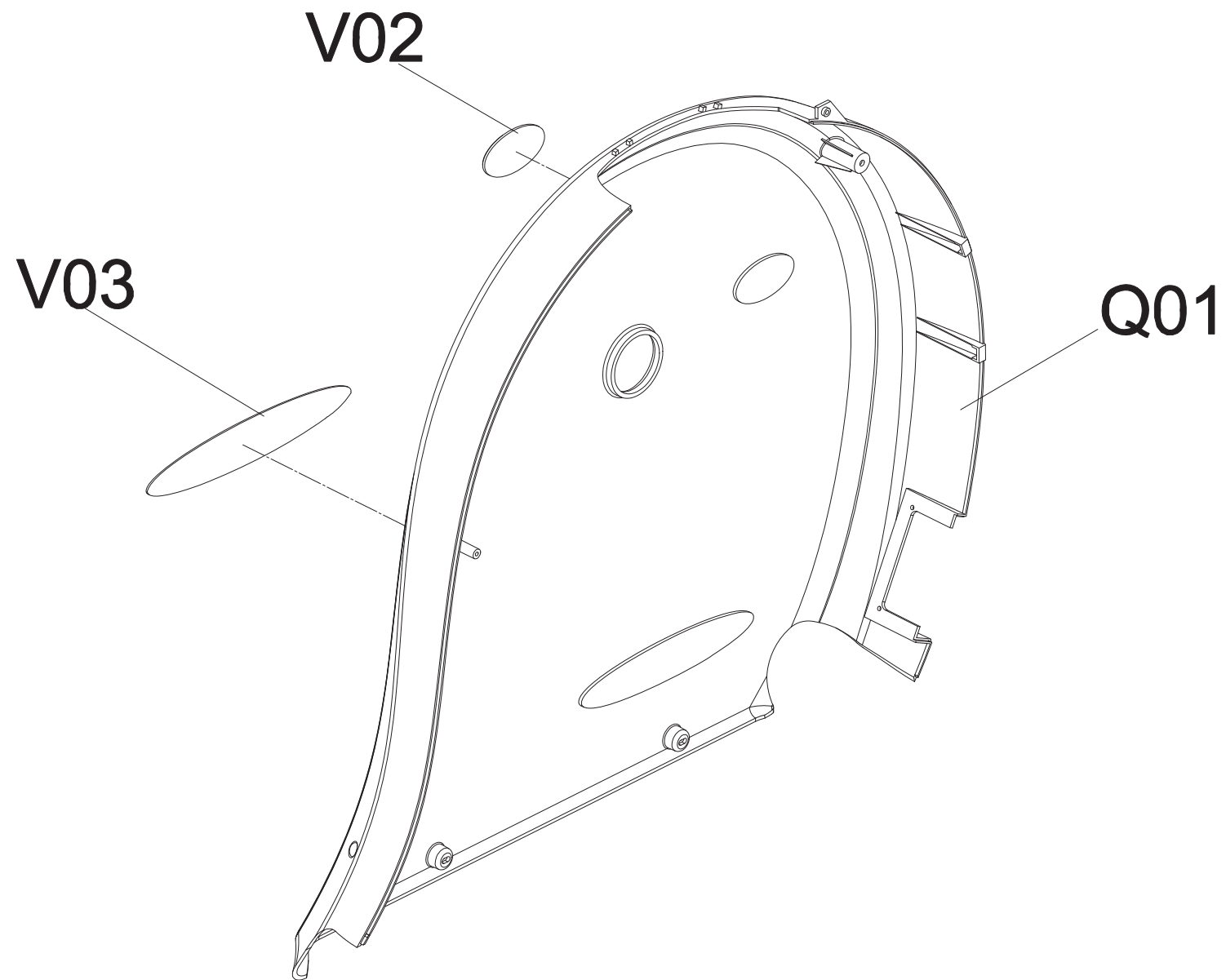
DRAWING NO	EP271C-A20		
PART NAME	Console Set		
PART NO	1000325793	REV	A
APPROVE	yangweiqian	DATE	2013.09.04



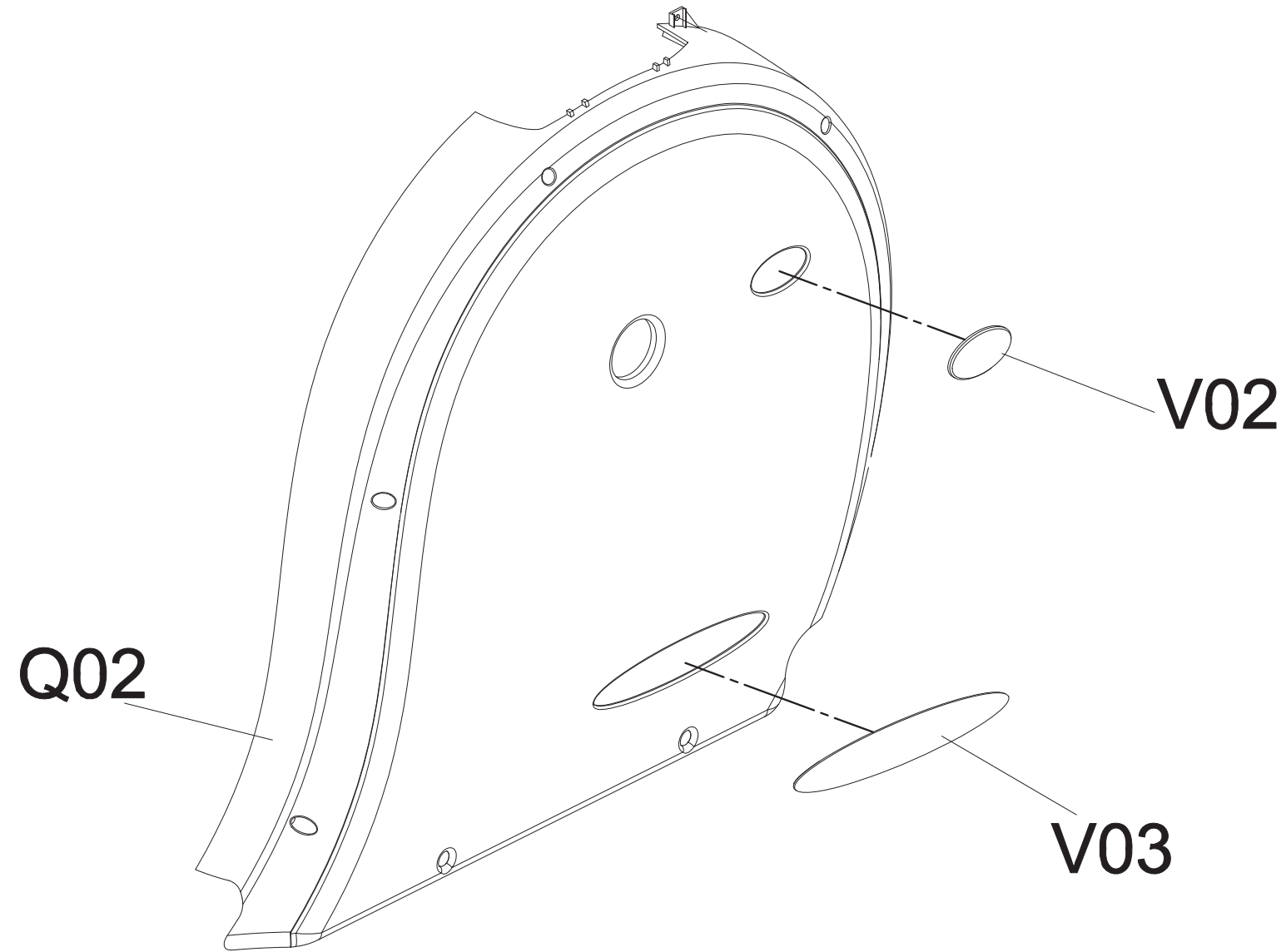
DRAWING NO	EP271C-A11		
PART NAME	Console Mast Set		
PART NO	1000332438	REV	B
APPROVE	yangweiqian	DATE	2014.01.17



DRAWING NO	EP271C-A13		
PART NAME	Left Side Cover Set		
PART NO	1000332439	REV	A
APPROVE	yangweiqian	DATE	2013.09.04



DRAWING NO	EP271C-A14		
PART NAME	Right Side Cover Set		
PART NO	1000332440	REV	A
APPROVE	yangweiqian	DATE	2013.09.02



DRAWING NO	EP271D-SF17		
PART NAME	Crank set		
PART NO	1000412341	REV	A
APPROVE	WANGYONG	DATE	2017.08.07

