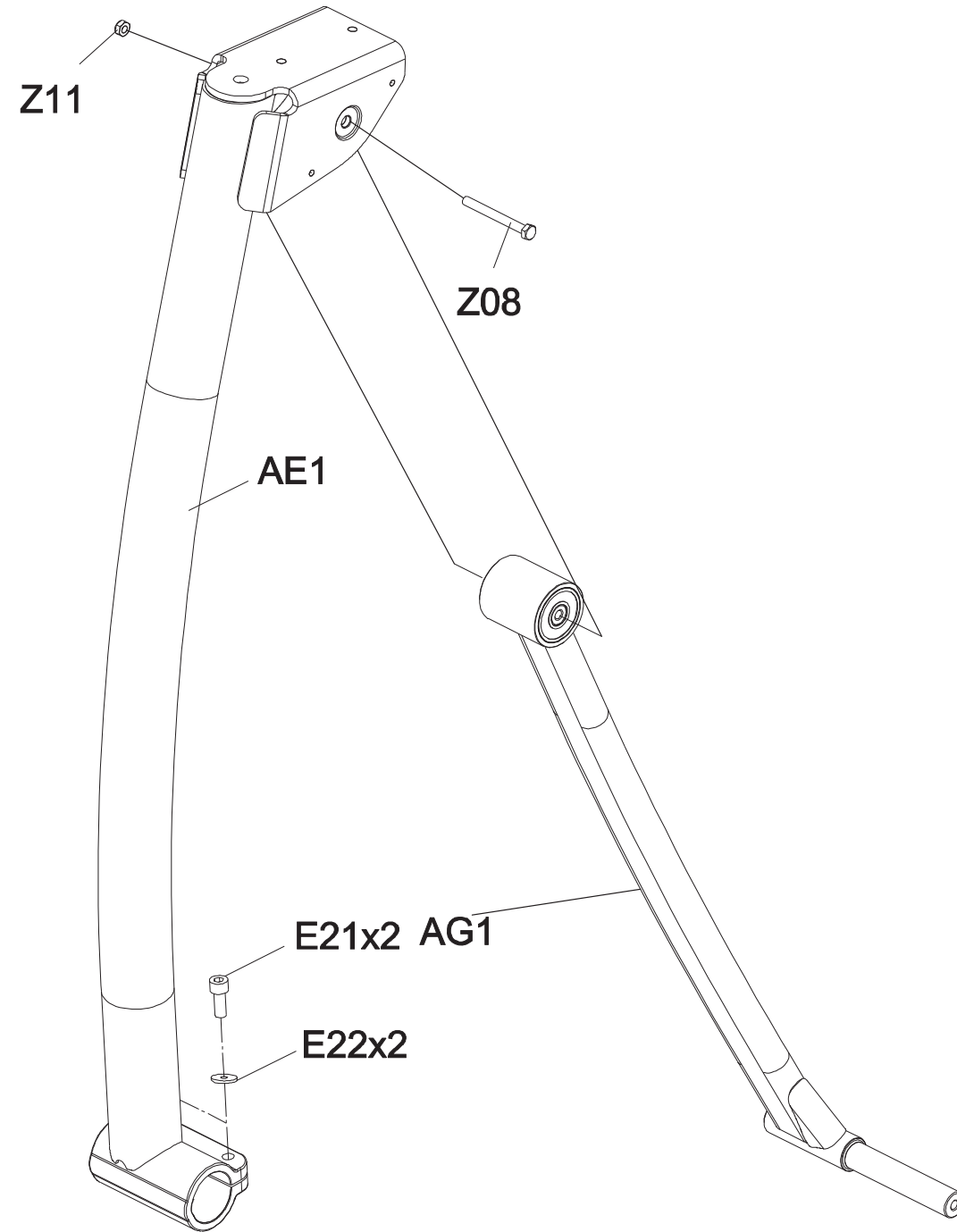
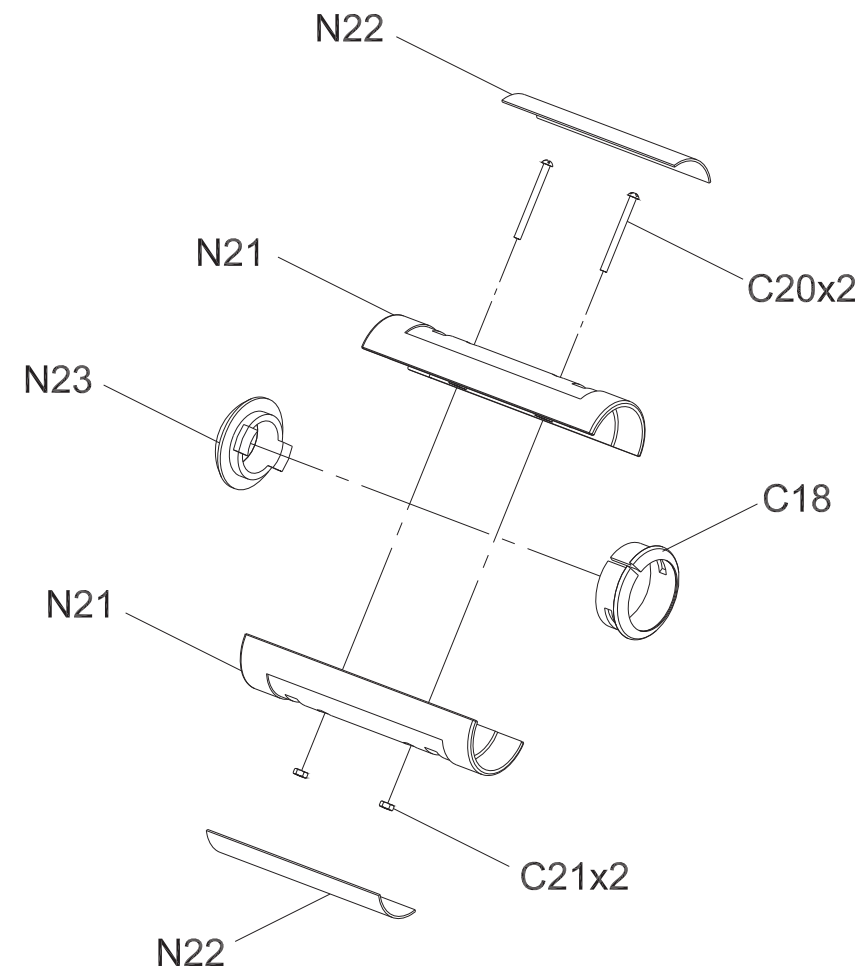


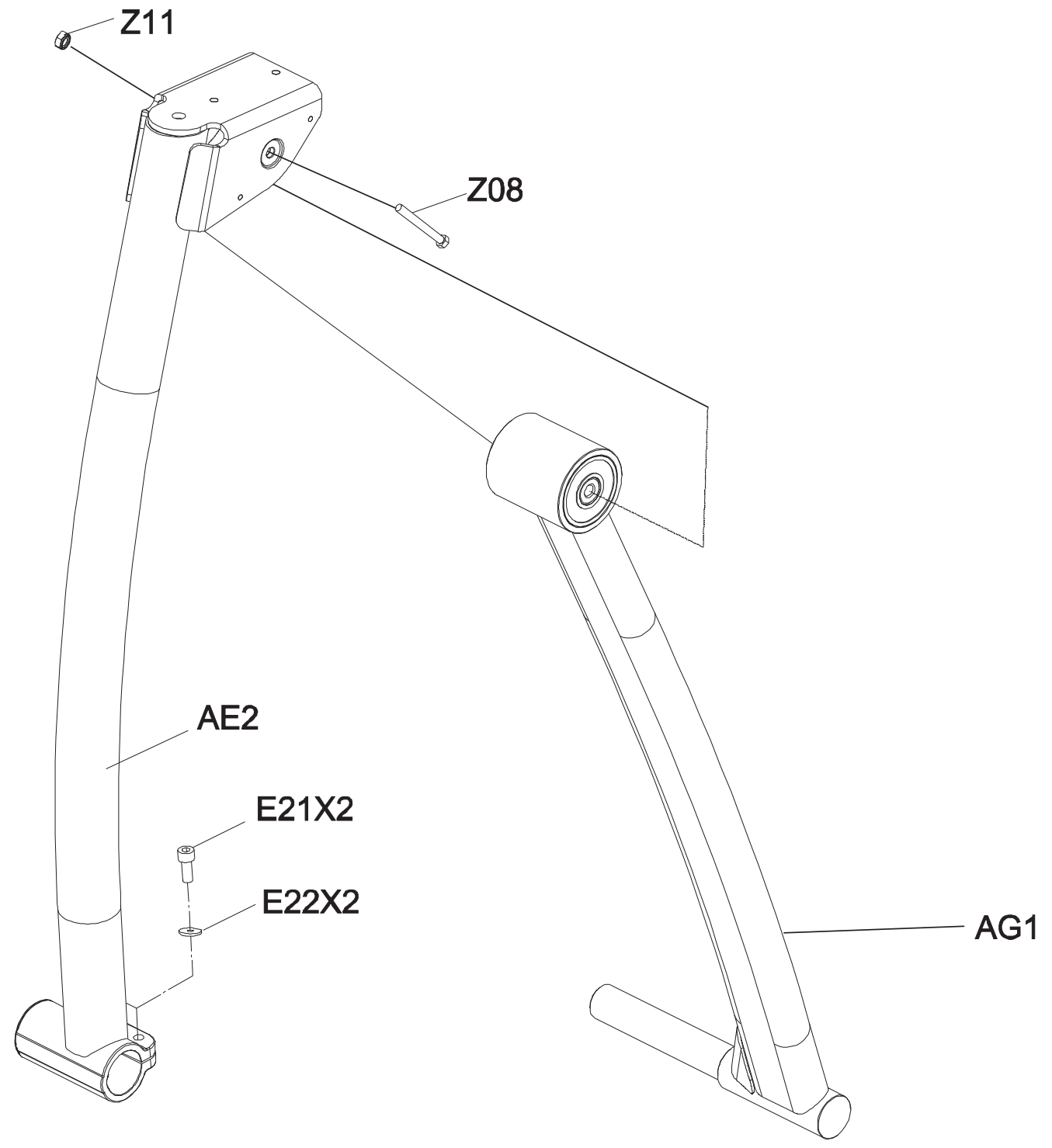
DRAWING NO	EP213-A44		
PART NAME	Left Incline Arm		
PART NO	1000107819	REV	A
APPROVE	WANGYONG	DATE	2016.08.31



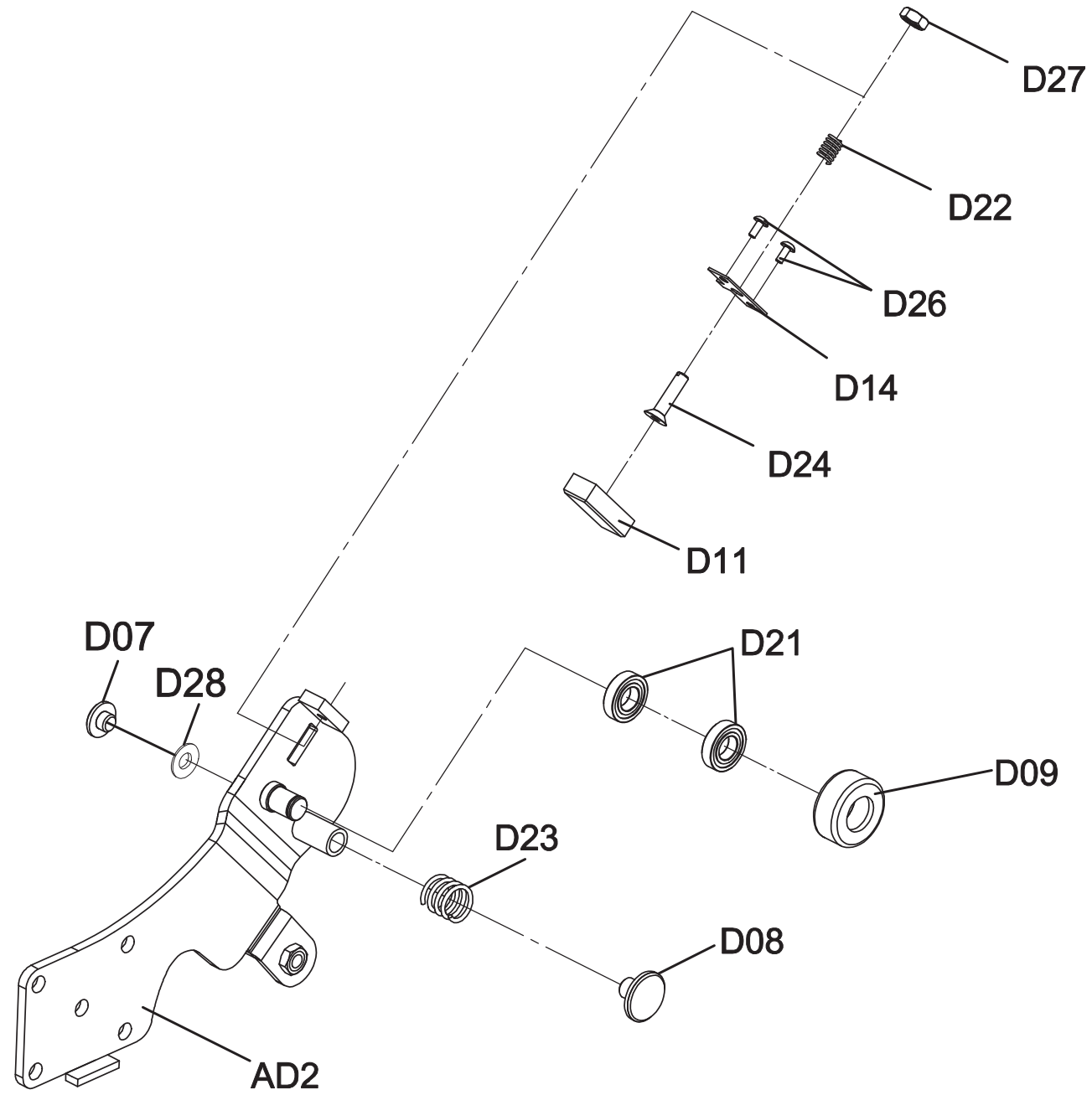
DRAWING NO	EP213-A19		
PART NAME	Handle Pulse Sensor Set		
PART NO	1000107823	REV	A
APPROVE		DATE	



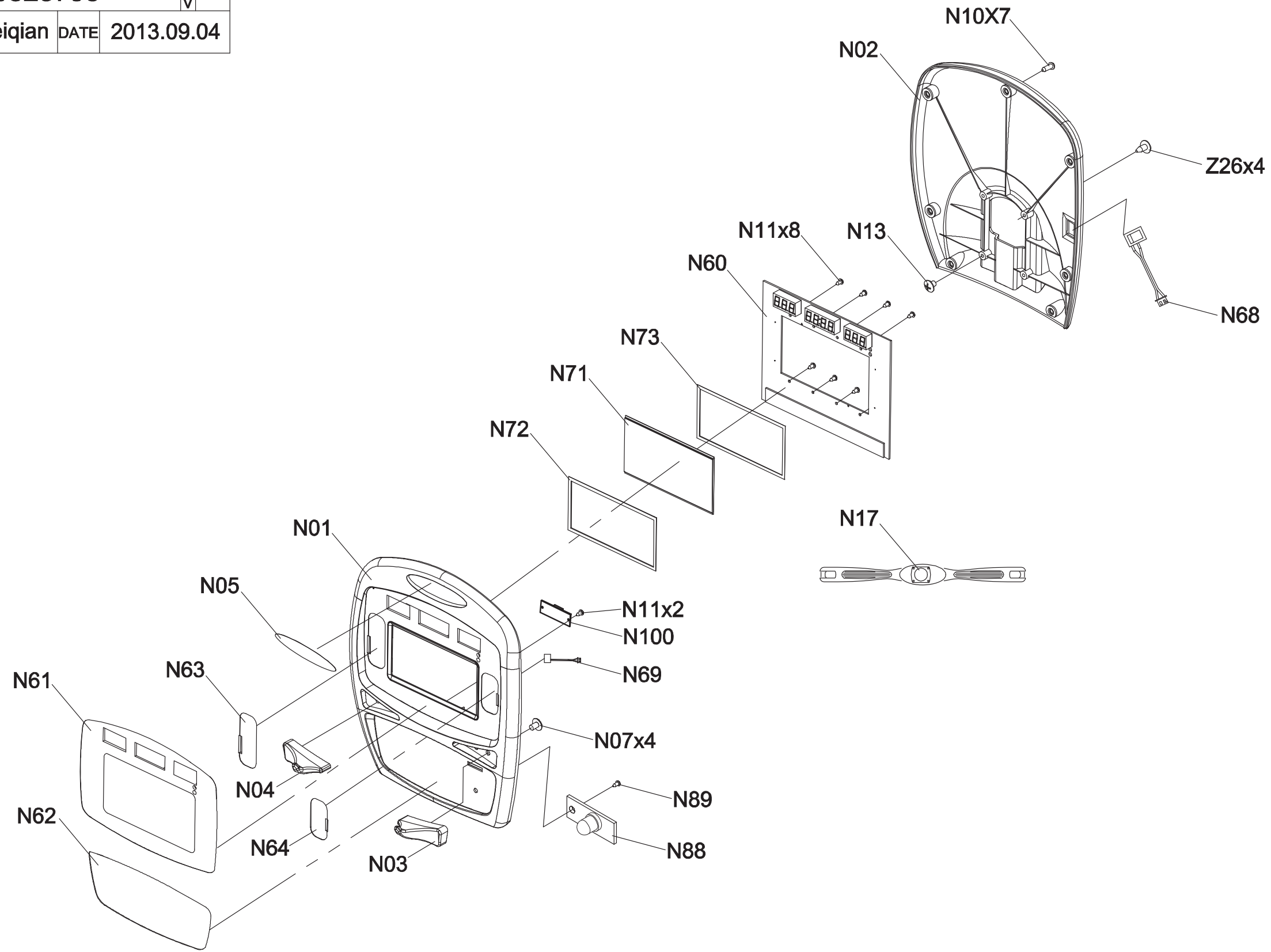
DRAWING NO	EP213-A25		
PART NAME	Right Incline Arm		
PART NO	1000107831	REV	A
APPROVE	WANGYONG	DATE	2017.08.16



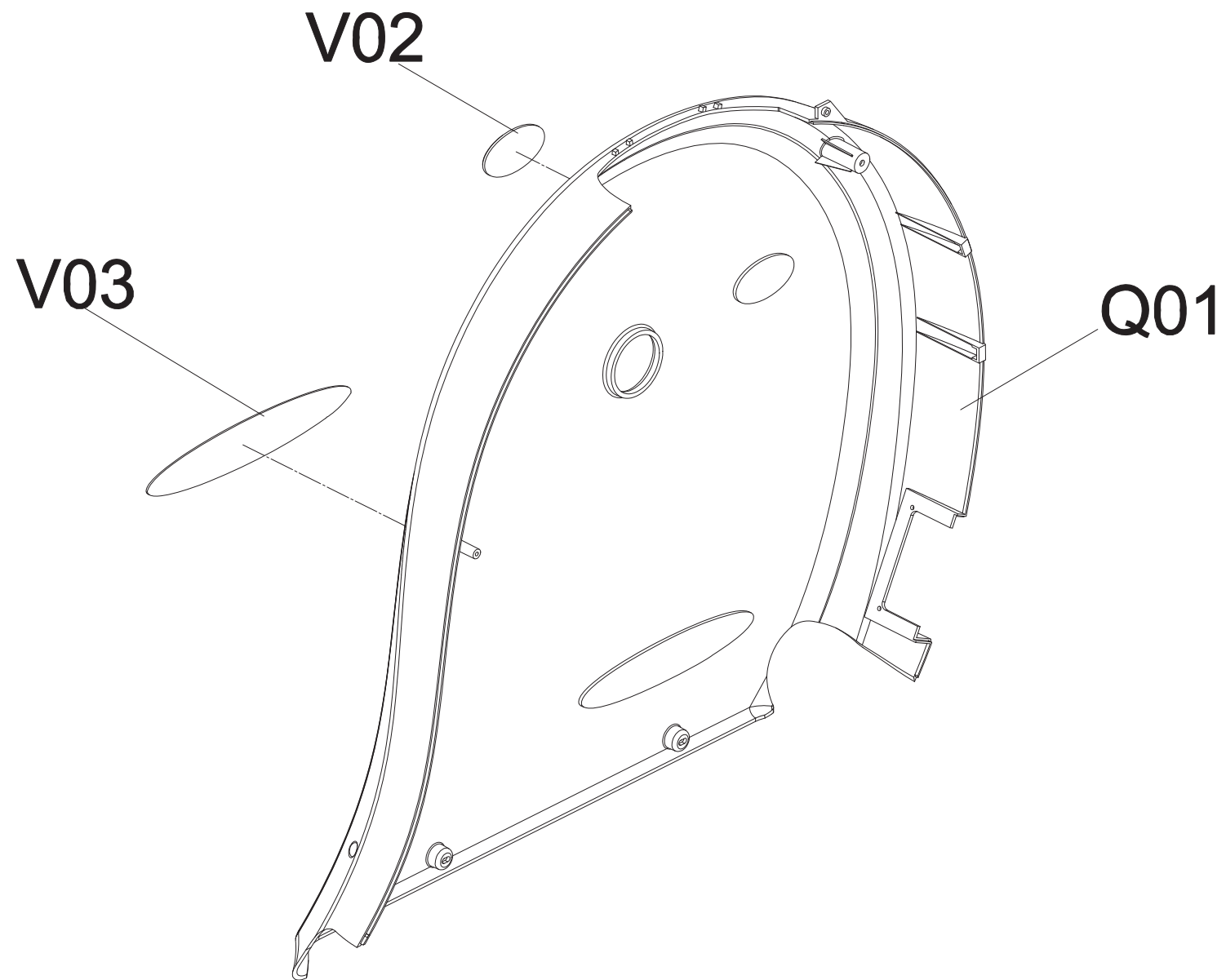
DRAWING NO	EP271-A15		
PART NAME	Elevation Fixing Plate Set		
PART NO	1000232707	REV	B
APPROVE	Li jm	DATE	2014.9.19



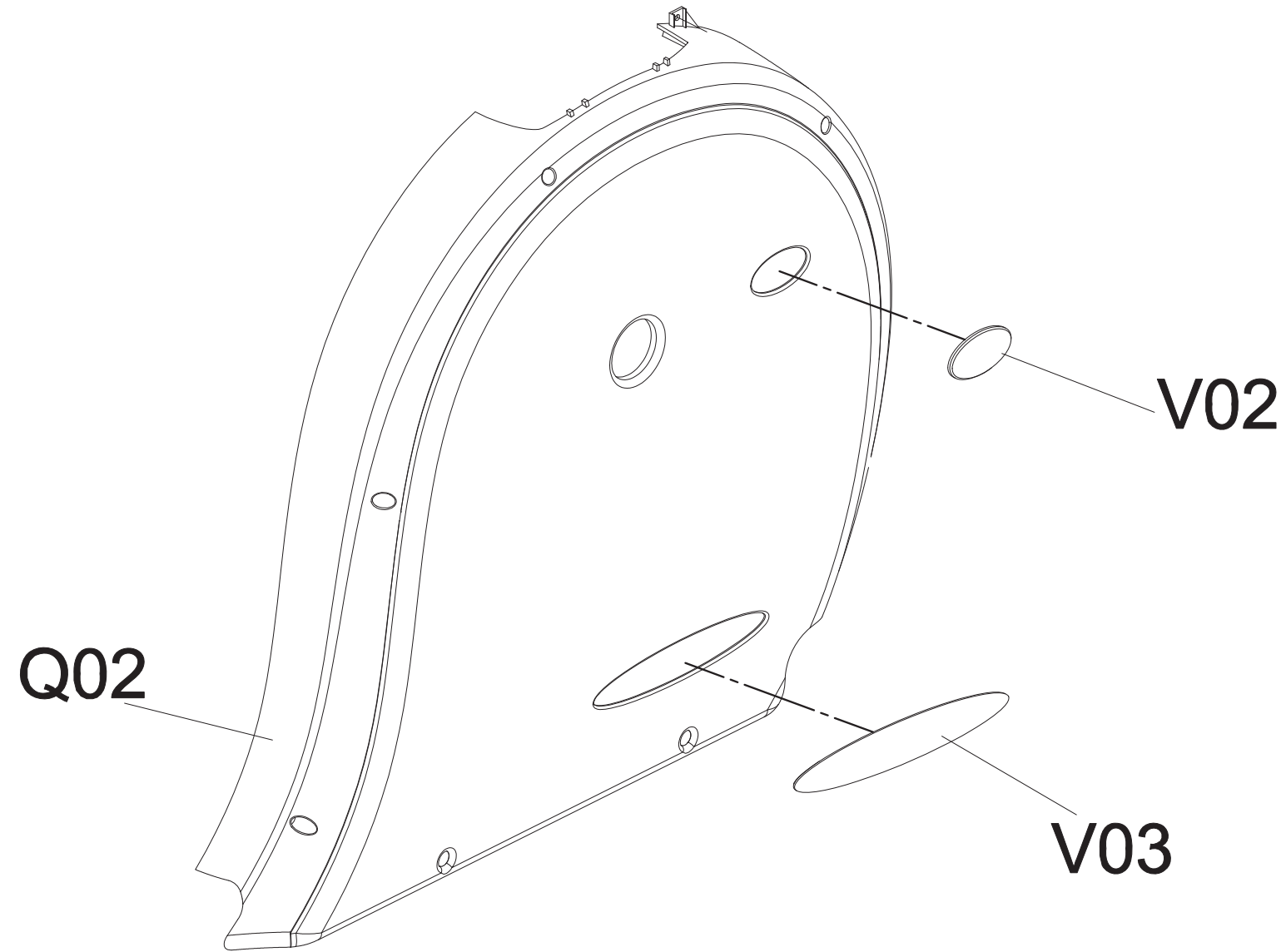
DRAWING NO	EP271C-A20		
PART NAME	Console Set		
PART NO	1000325793	REV	A
APPROVE	yangweiqian	DATE	2013.09.04



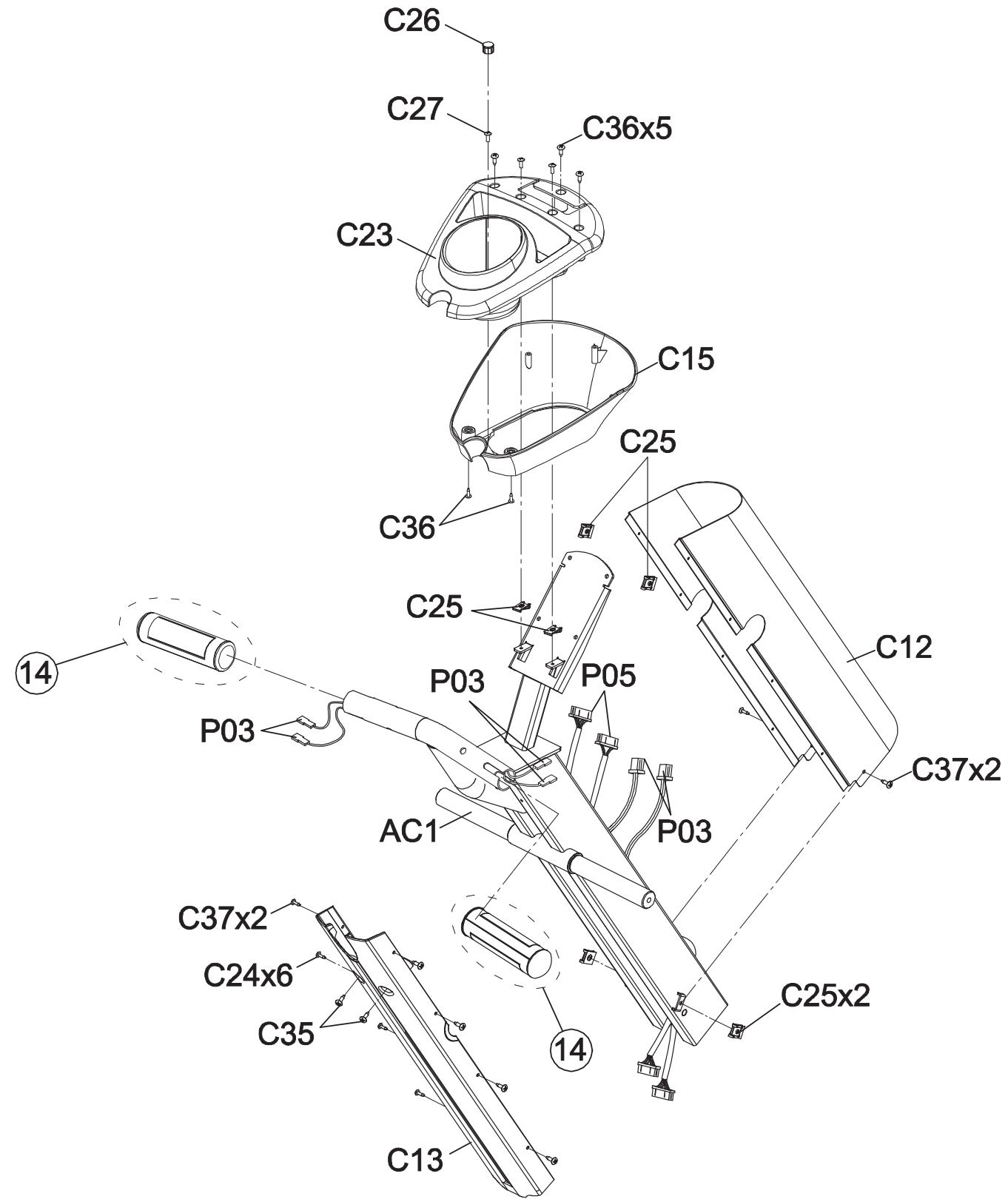
DRAWING NO	EP271C-A13		
PART NAME	Left Side Cover Set		
PART NO	1000332439	REV	A
APPROVE	yangweiqian	DATE	2013.09.04



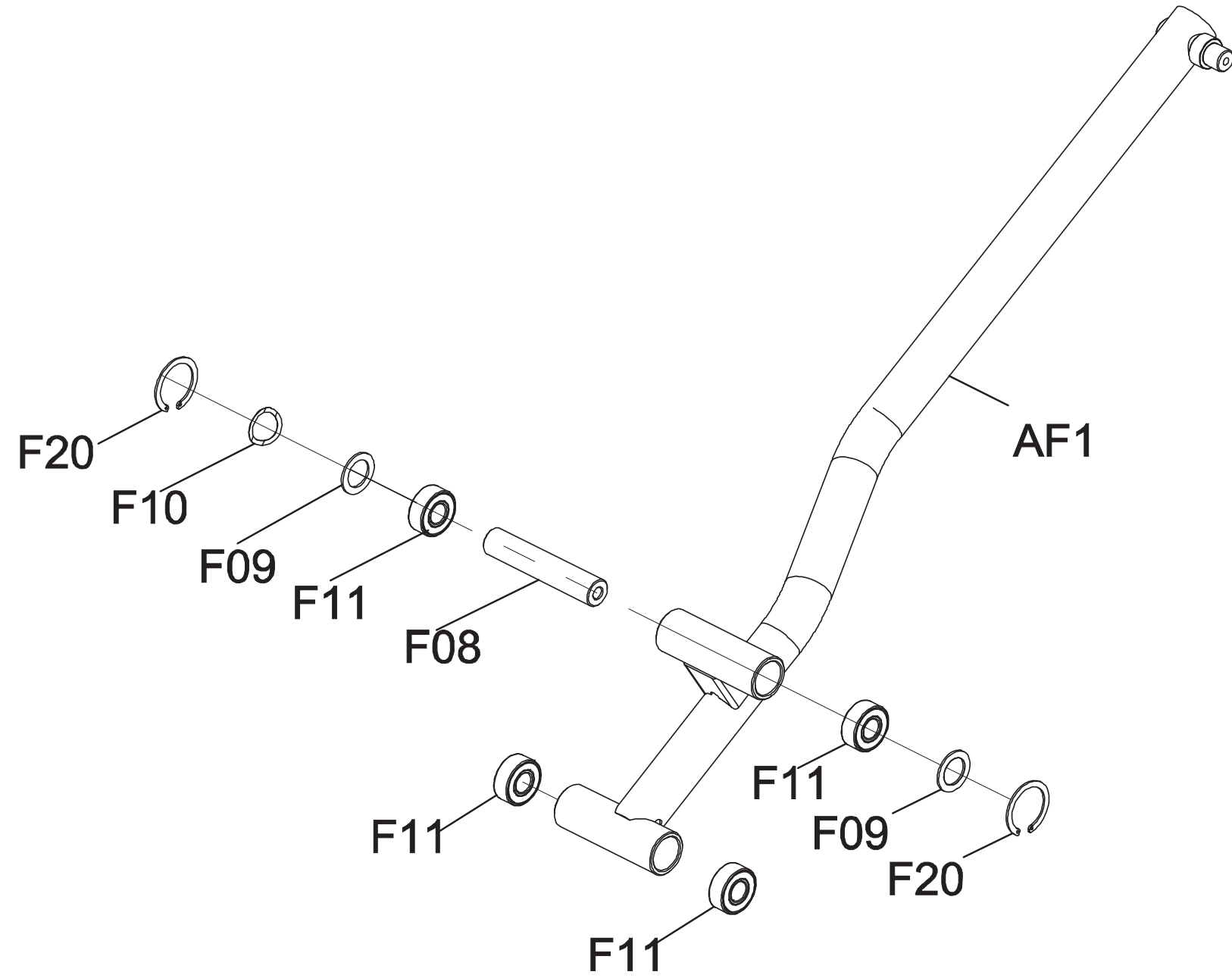
DRAWING NO	EP271C-A14		
PART NAME	Right Side Cover Set		
PART NO	1000332440	REV	A
APPROVE	yangweiqian	DATE	2013.09.02



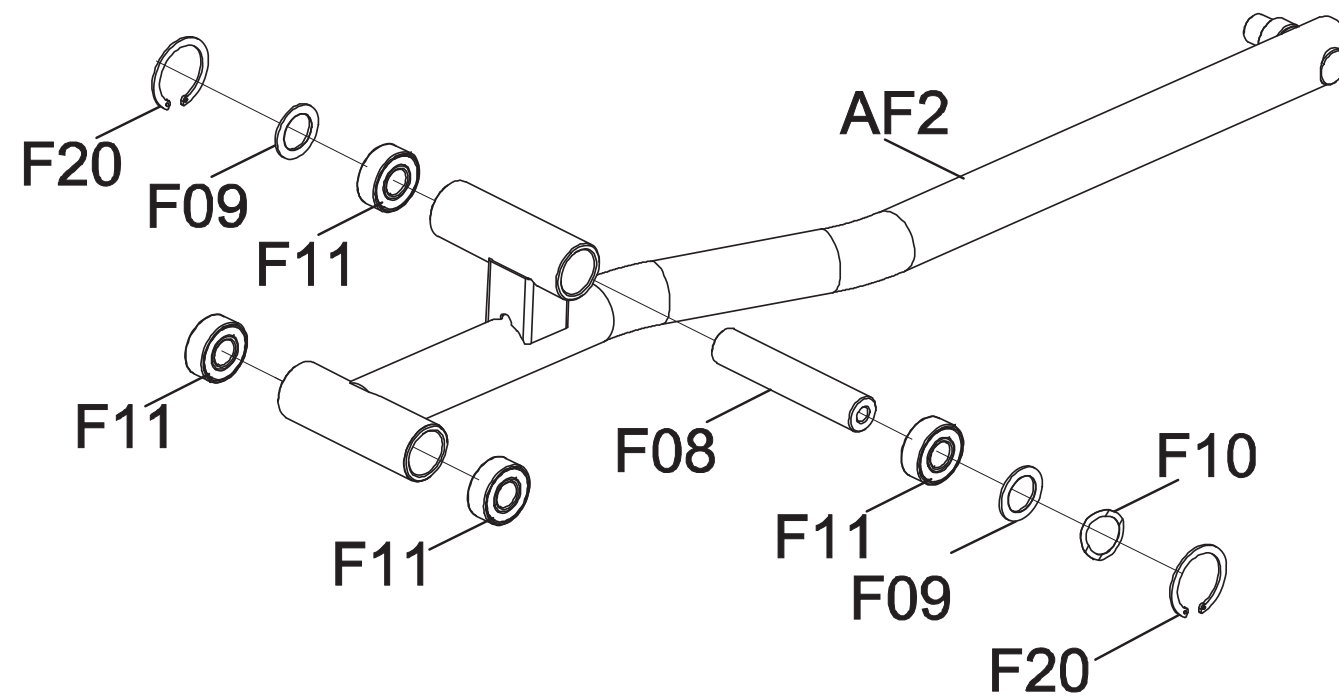
DRAWING NO	EP271D-A11		
PART NAME	Console Mast Set		
PART NO	1000390957	REV	A
APPROVE	wangyong	DATE	2016.05.26



DRAWING NO			
PART NAME	Swing arm group left		
PART NO	1000390958	REV	A
APPROVE	wangyong	DATE	2015.05.26

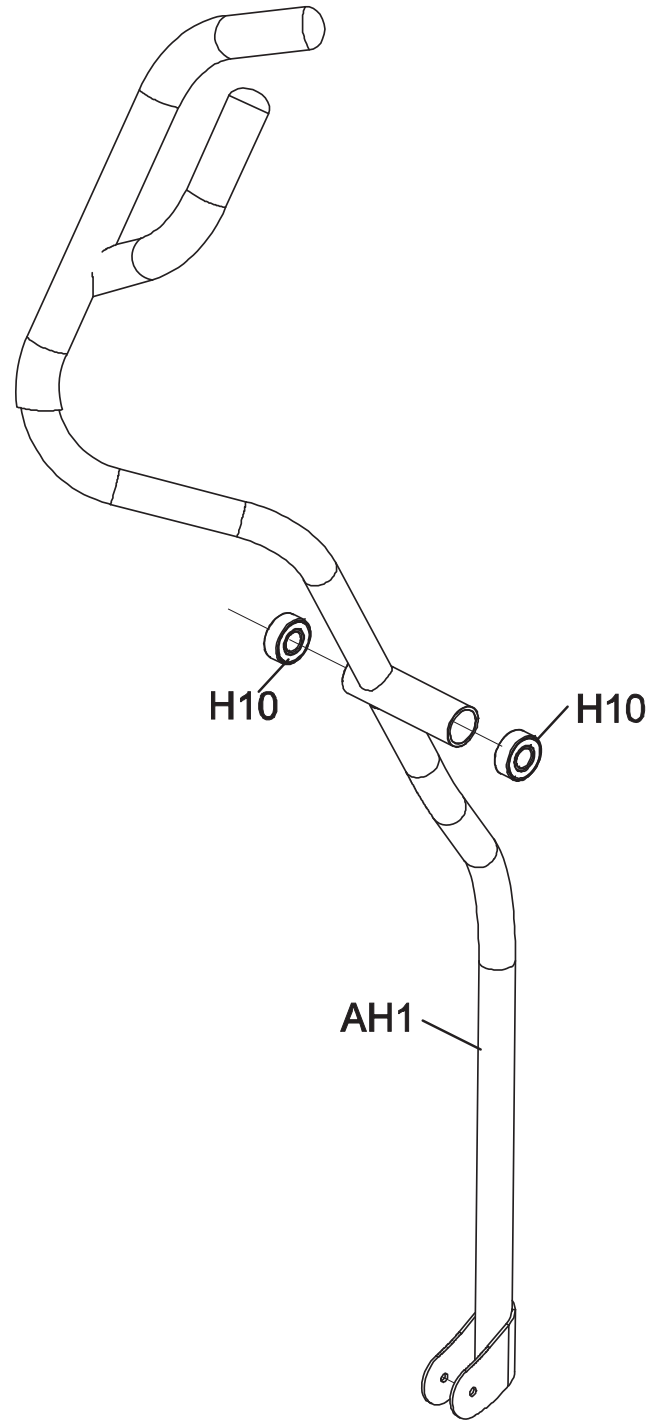


DRAWING NO			
PART NAME	Swing arm group right		
PART NO	1000390959	REV	A
APPROVE	wangyong	DATE	2015.05.26

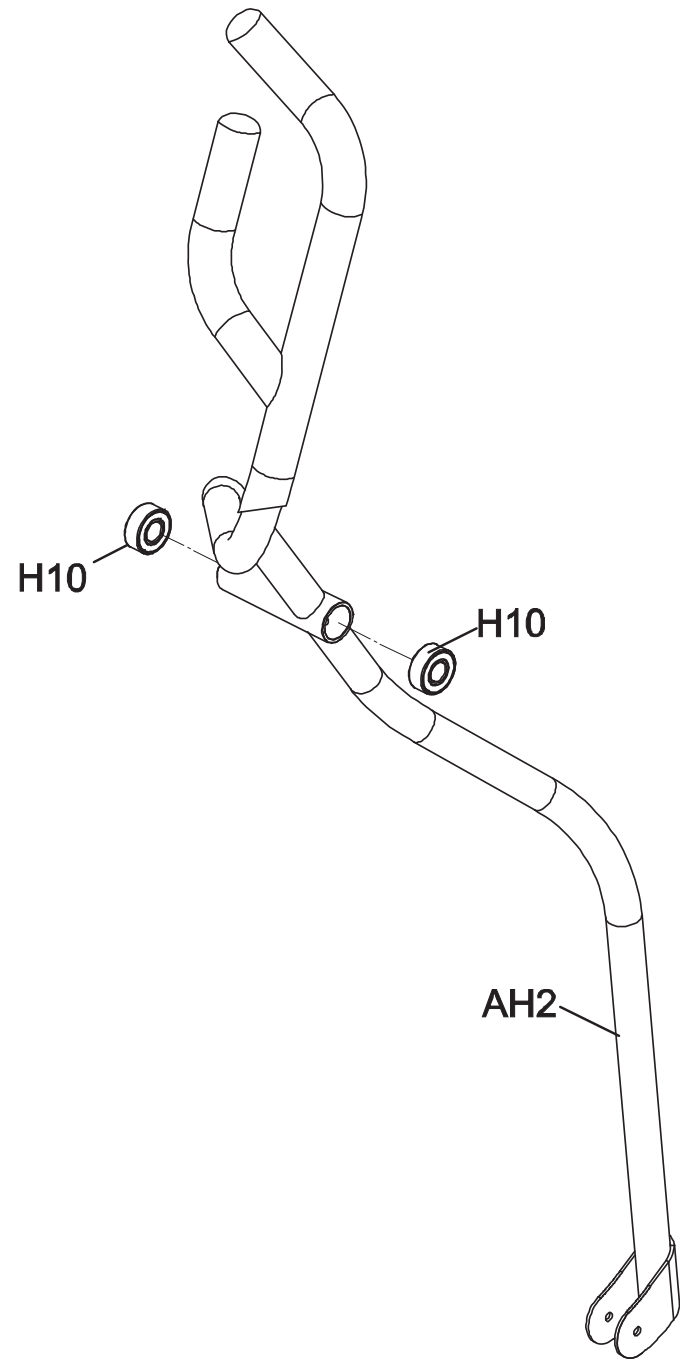


DRAWING NO			
PART NAME	Left Handlebar Set		
PART NO	1000390961		
APPROVE	wangyong	DATE	2015.05.26

REV
A



DRAWING NO			
PART NAME	Right Handlebar Set		
PART NO	1000390962	REV	A
APPROVE	wangyong	DATE	2015.05.26



DRAWING NO			
PART NAME	Crank set		
PART NO	1000390965	REV	A
APPROVE	wangyong	DATE	2015.05.26

