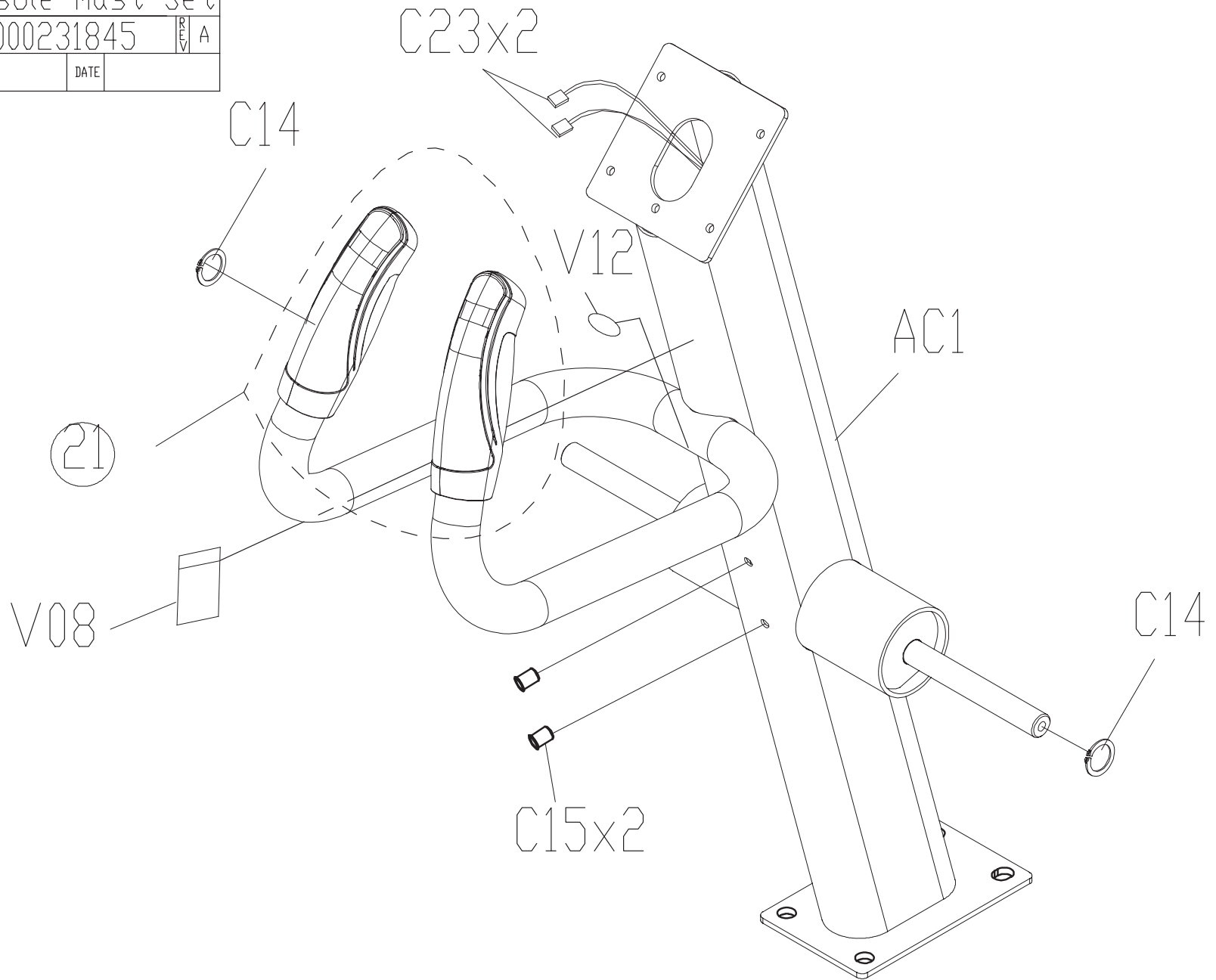
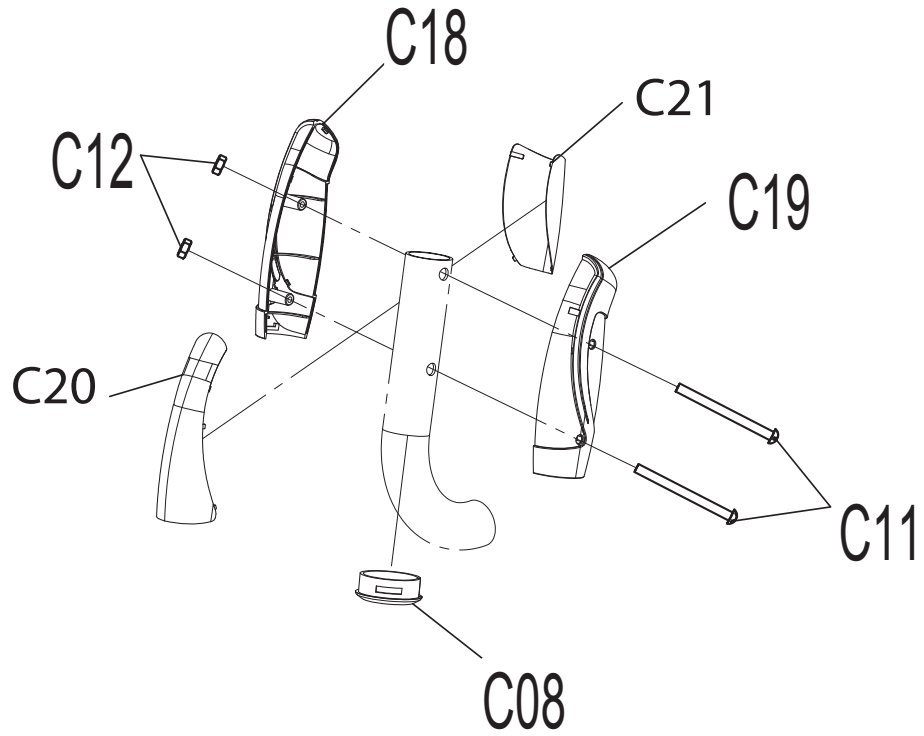


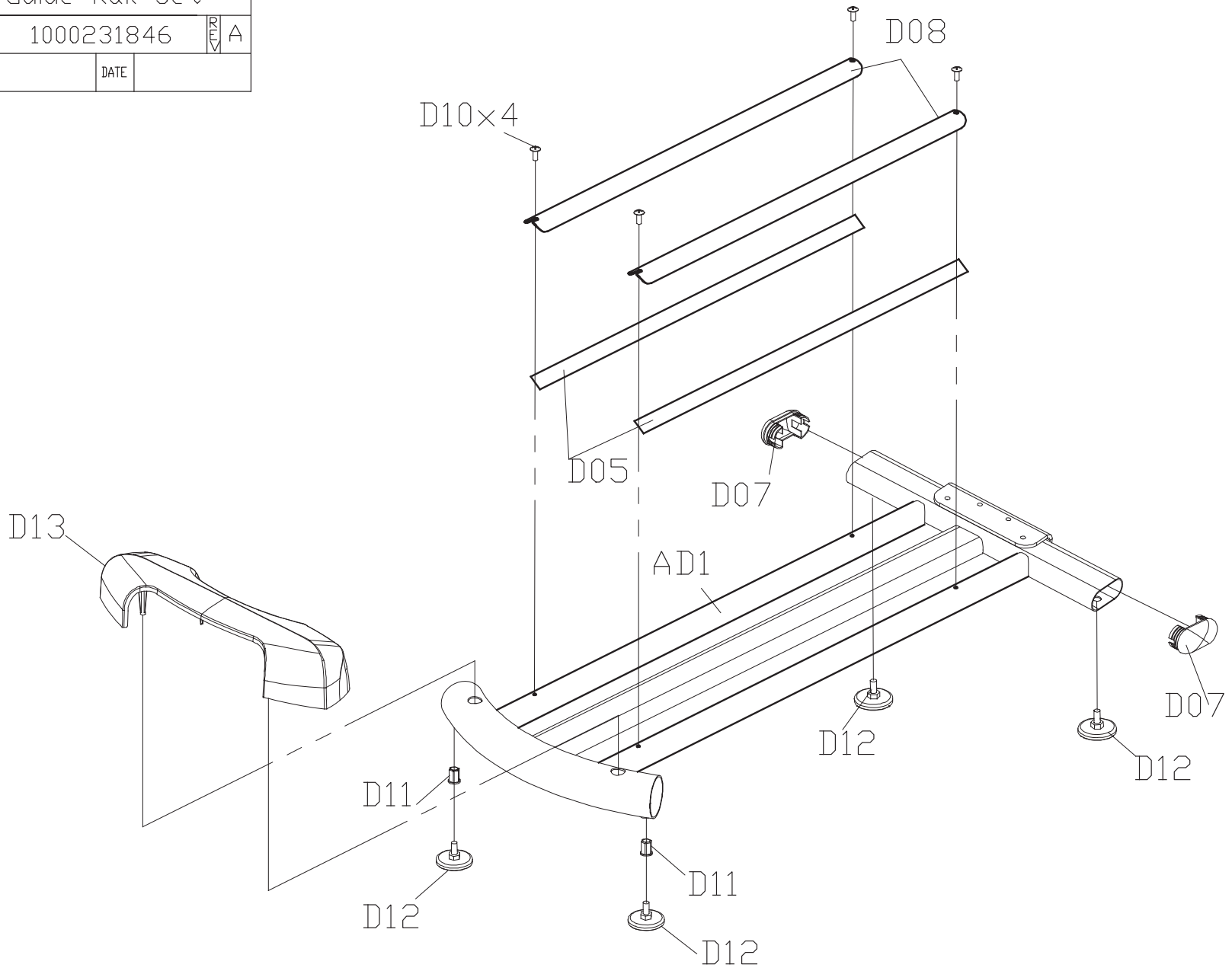
| | | |
|------------|------------------|-------|
| DRAWING NO | EP268-A11 | |
| PART NAME | Console Mast Set | |
| PART NO | 1000231845 | REV A |
| APPROVE | DATE | |



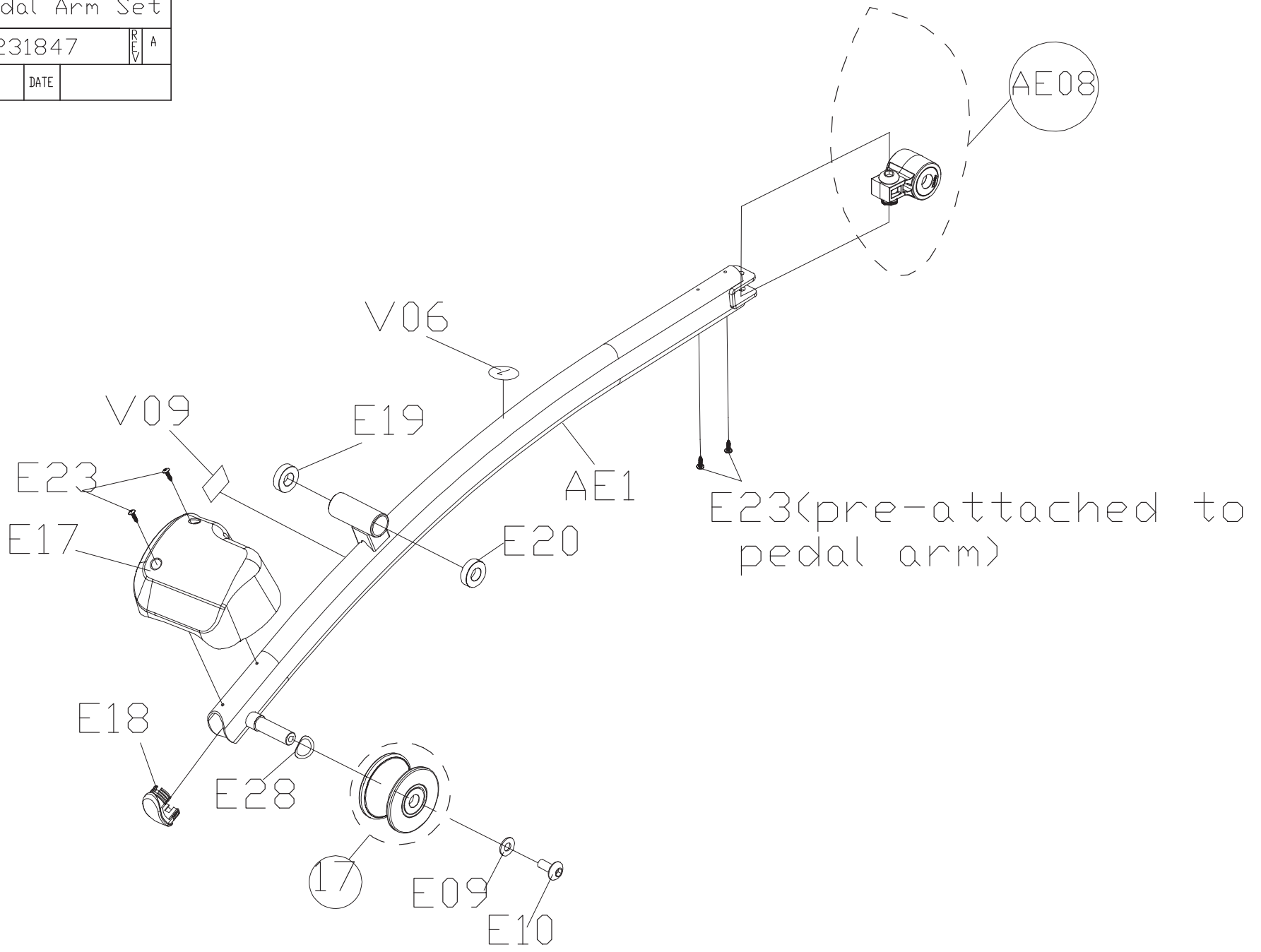
| | | | |
|-------------|-------------------|------|--------|
| DRAWING NO | EP257-A31 | | |
| PART NAME | Handbar Grips Set | | |
| SAP PART NO | 1000231081 | VER | A |
| APPROVE | Michael | DATE | 032012 |



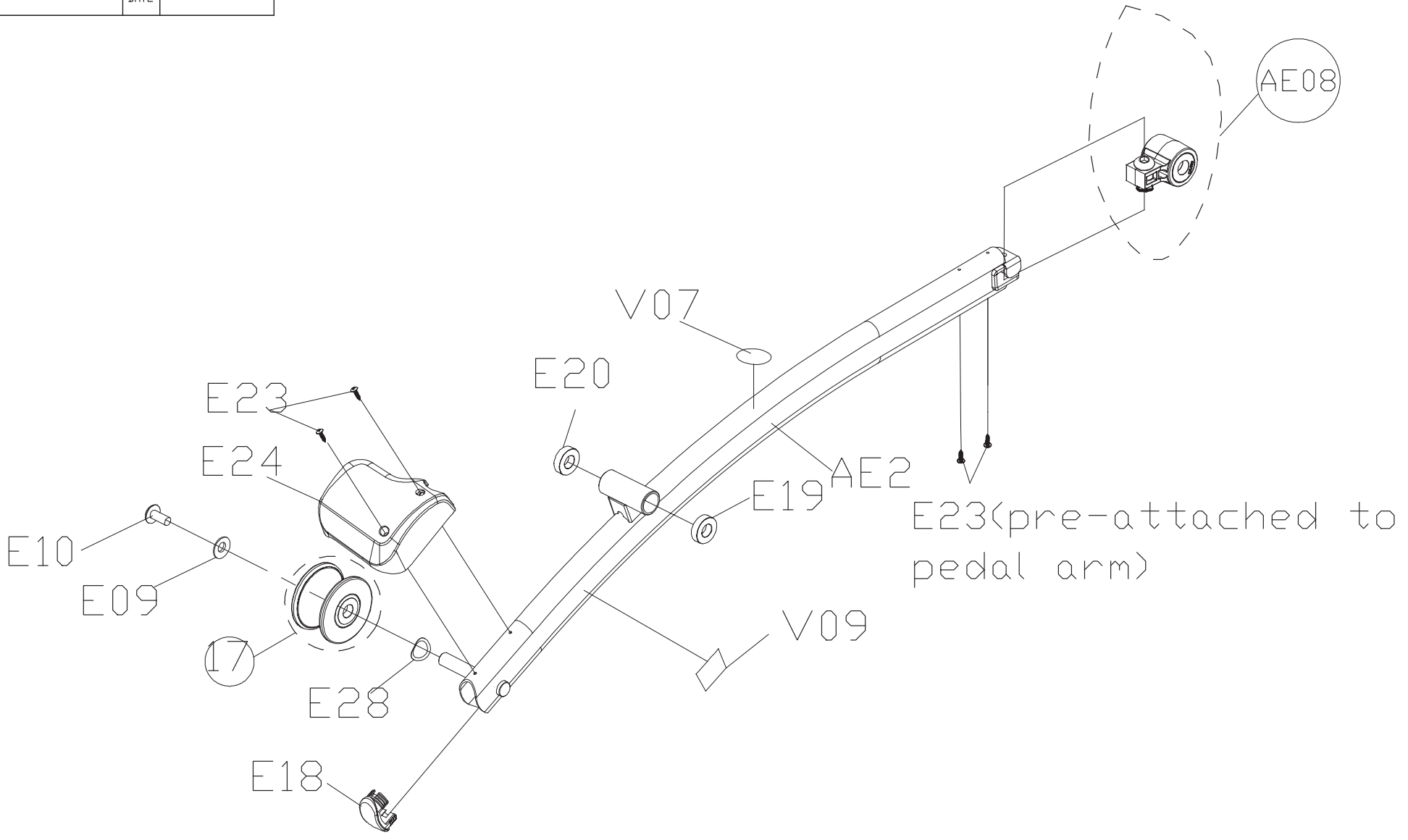
| | | | |
|------------|----------------|-----|---|
| DRAWING NO | EP268-A12 | | |
| PART NAME | Guide Rail Set | | |
| PART NO | 1000231846 | REV | A |
| APPROVE | DATE | | |



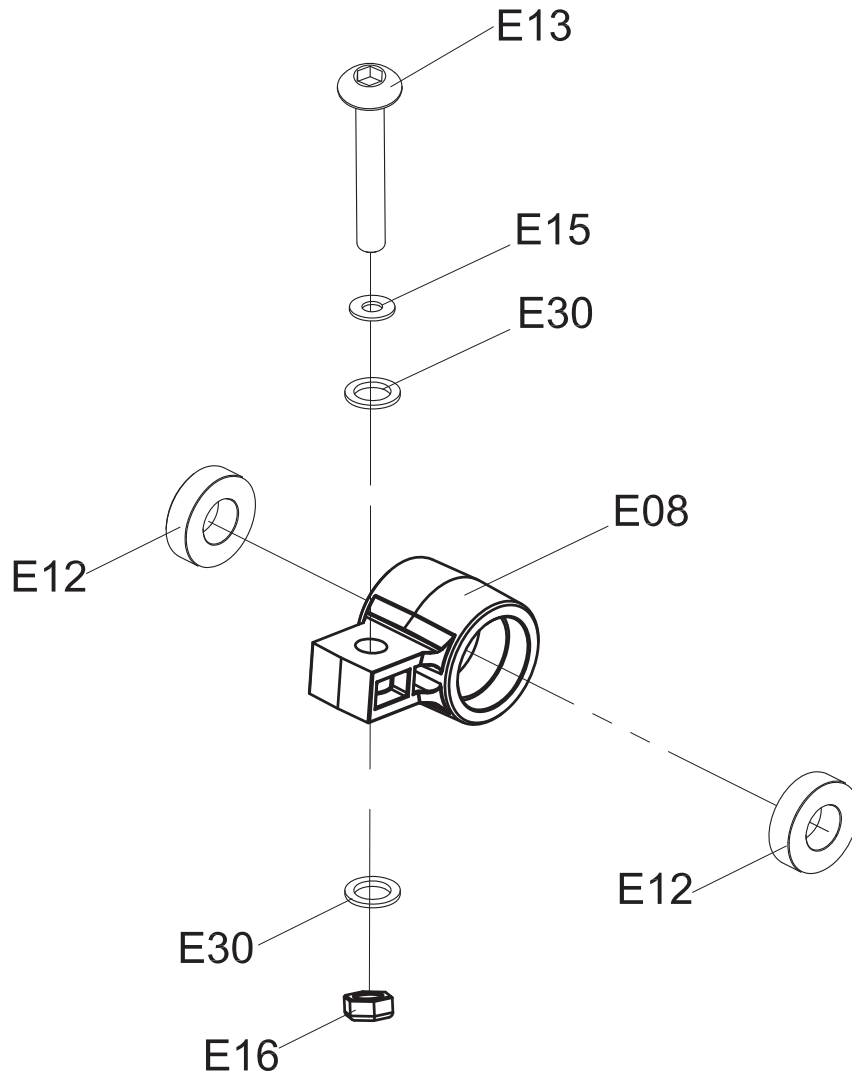
| | | | |
|------------|-----------------|-----|---|
| DRAWING NO | EP268-A13 | | |
| PART NAME | L-Pedal Arm Set | | |
| PART NO | 1000231847 | REV | A |
| APPROVE | DATE | | |



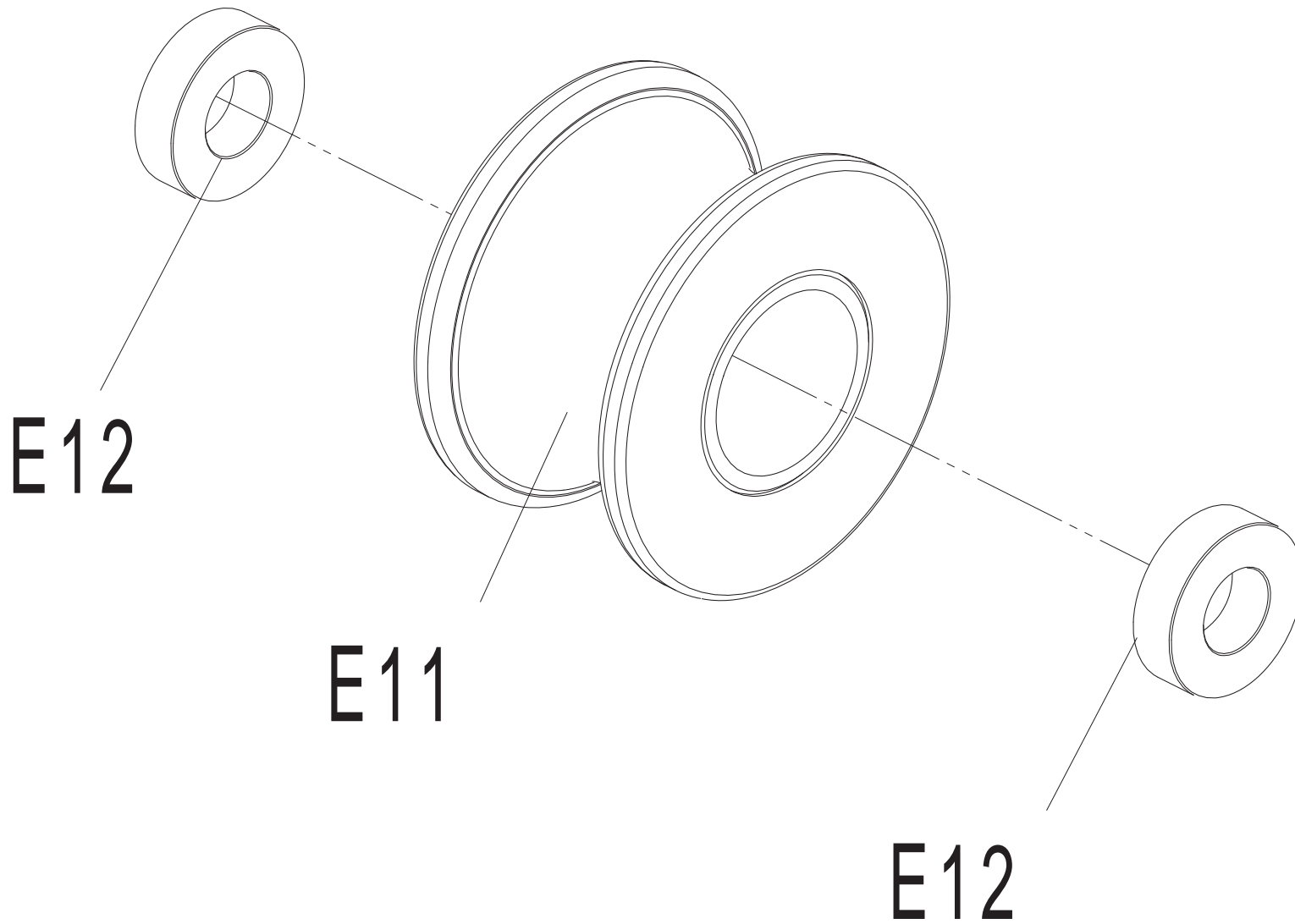
| | | | |
|------------|-----------------|------|---|
| DRAWING NO | EP268-A14 | | |
| PART NAME | R-Pedal Arm Set | | |
| PART NO | 1000231848 | REV | A |
| APPROVE | | DATE | |



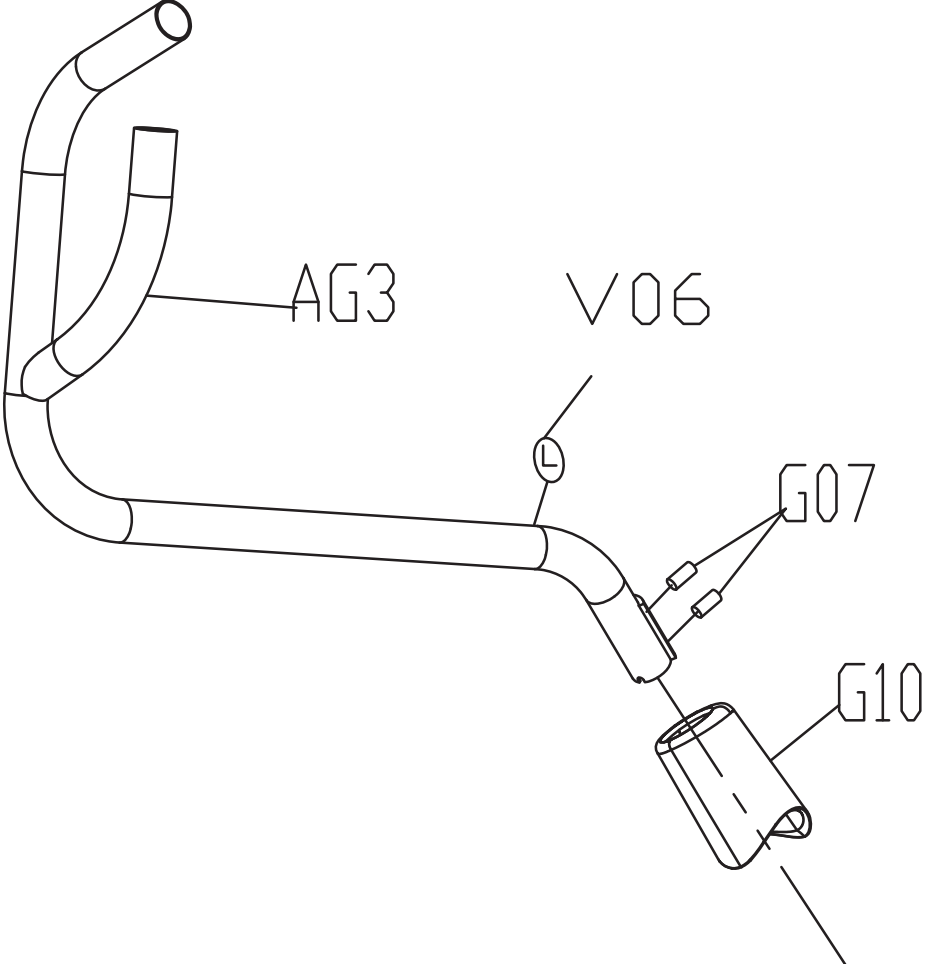
| | | | |
|------------|----------------------|------|---|
| DRAWING NO | EP241-A14 | | |
| PART NAME | Crank Pin Sleeve Set | | |
| PART NO | 1000111424 | REV | B |
| APPROVE | | DATE | |



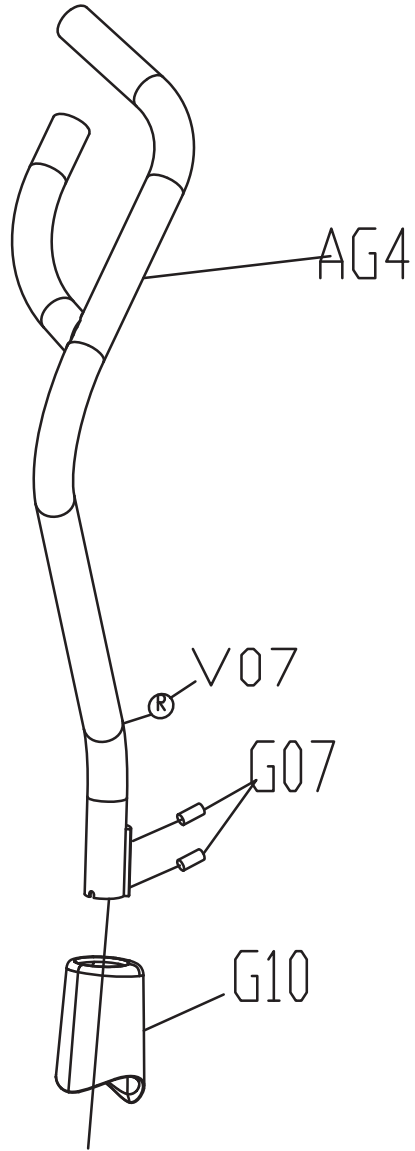
| | | | |
|------------|------------------|------|---|
| DRAWING NO | EP240-A45 | | |
| PART NAME | Roller Wheel Set | | |
| PART NO | 1000207789 | REV | A |
| APPROVE | | DATE | |



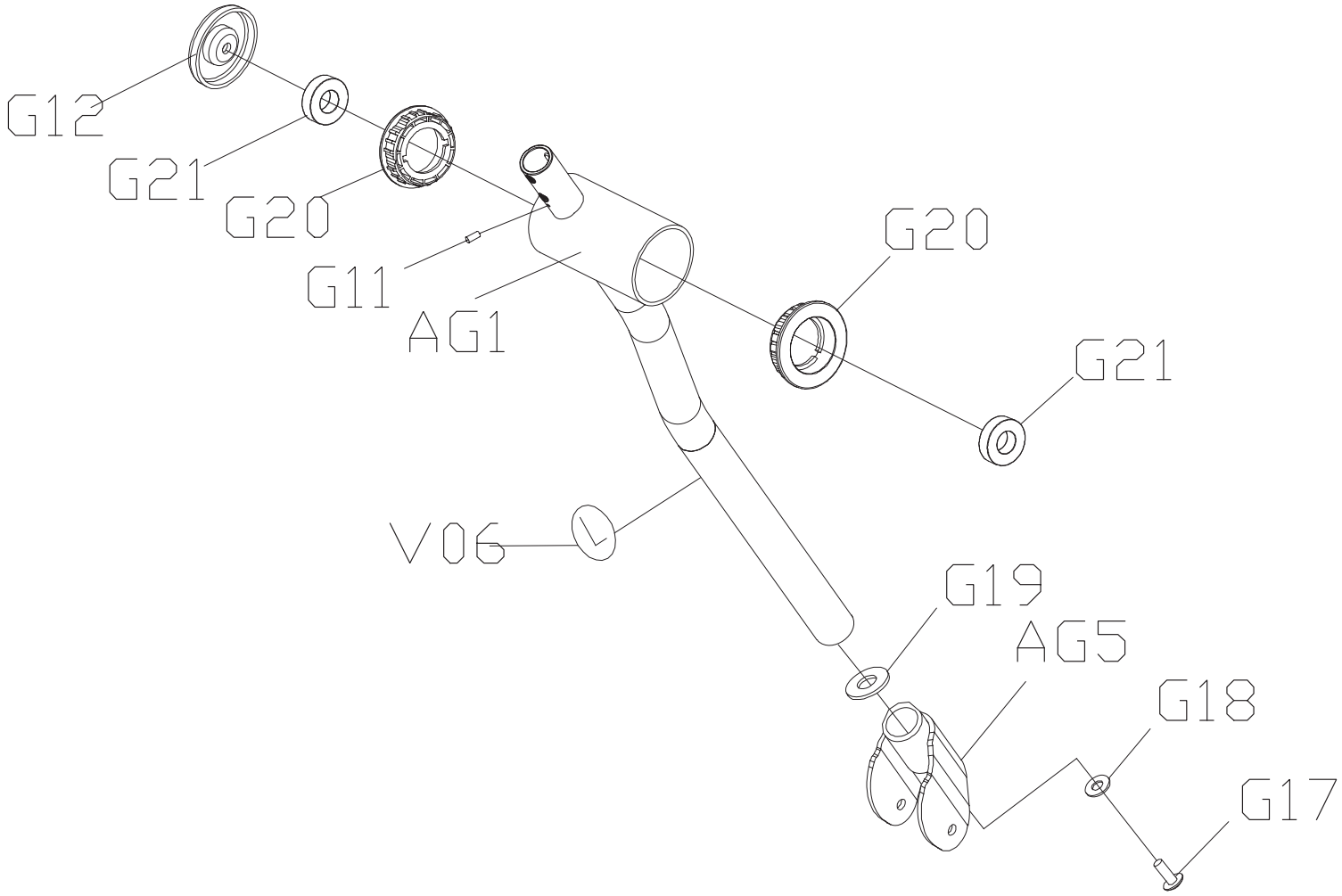
| | | | |
|------------|-----------------|------|---|
| DRAWING NO | EP269-A15 | | |
| PART NAME | Arm Rest Set;LU | | |
| PART NO | 1000232319 | REV | A |
| APPROVE | | DATE | |



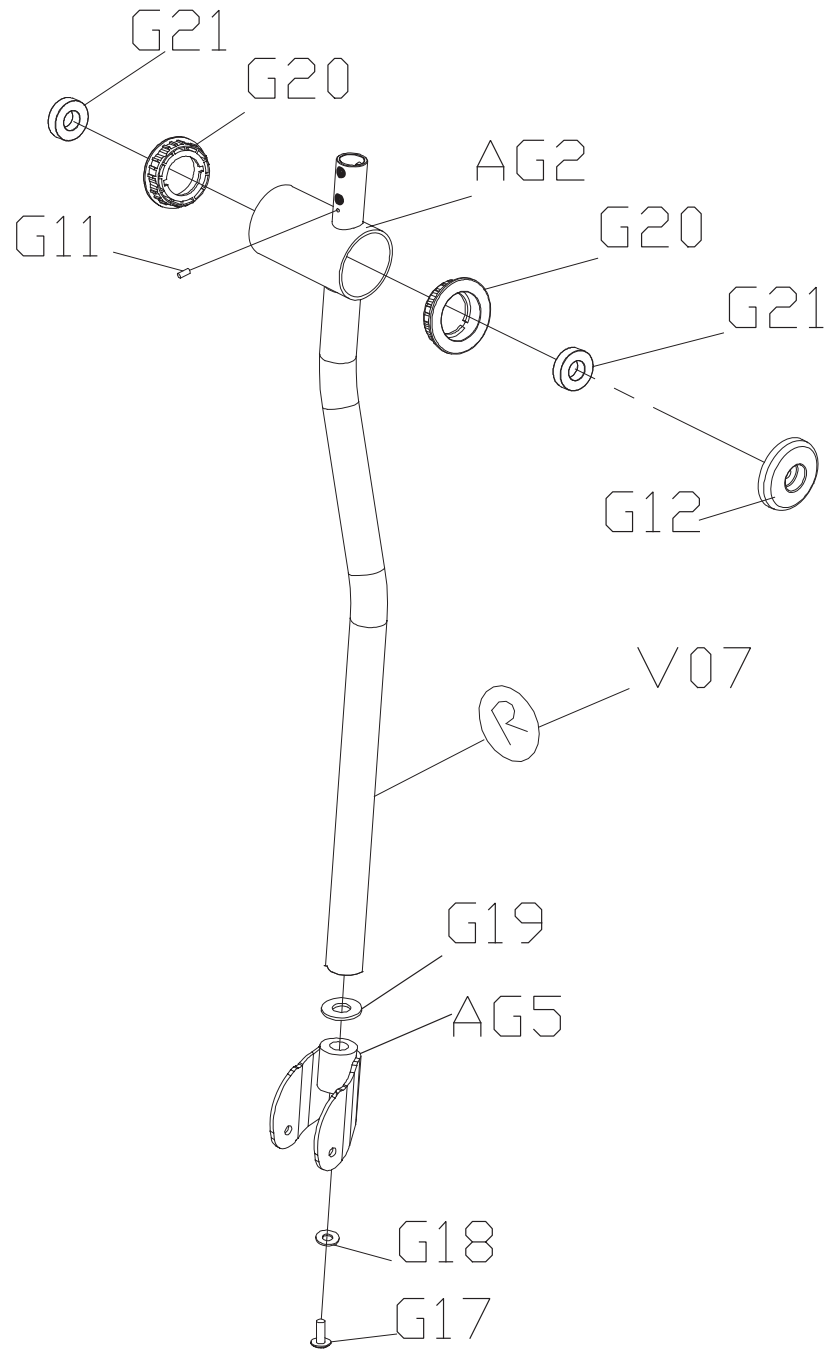
| | | | |
|------------|-----------------|------|---|
| DRAWING NO | EP269-A16 | | |
| PART NAME | Arm Rest Set;RU | | |
| PART NO | 1000232320 | REV | A |
| APPROVE | | DATE | |



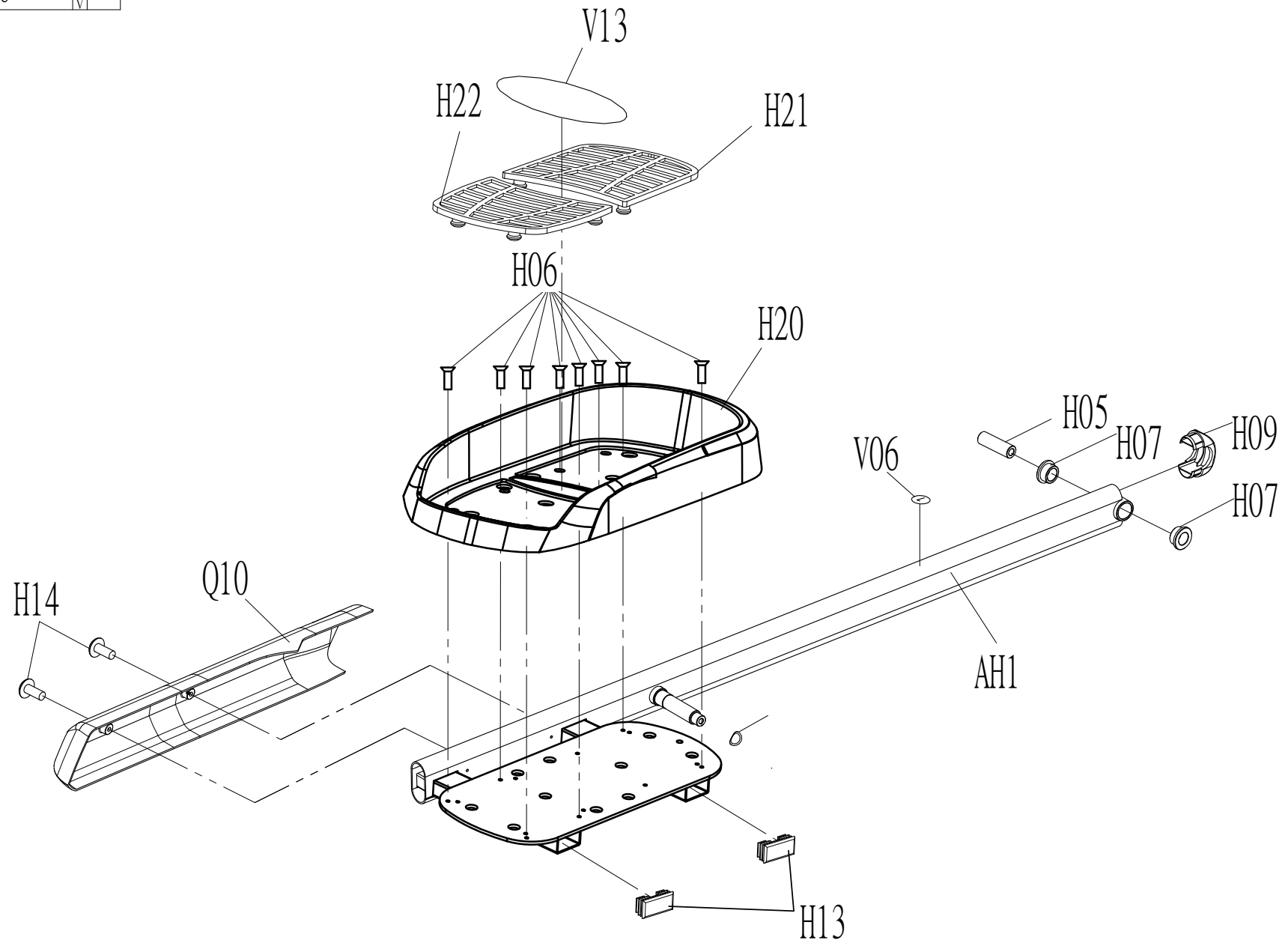
| | | | |
|------------|------------------|------|---|
| DRAWING NO | EP268-A17 | | |
| PART NAME | Arm Rest Set; LD | | |
| PART NO | 1000231851 | REV | A |
| APPROVE | | DATE | |



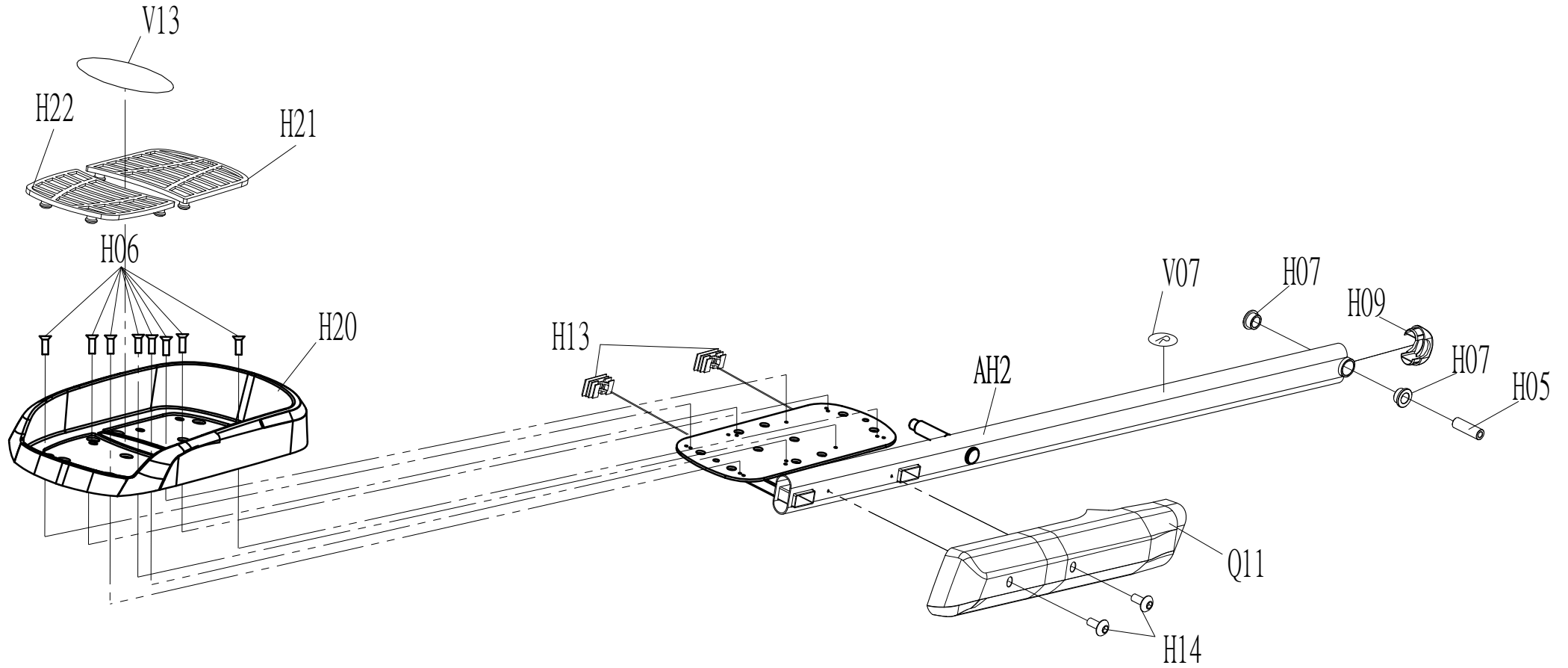
| | | | |
|------------|-----------------|-----|---|
| DRAWING NO | EP268-A19 | | |
| PART NAME | Arm Rest Set;RD | | |
| PART NO | 1000231852 | REV | A |
| APPROVE | DATE | | |



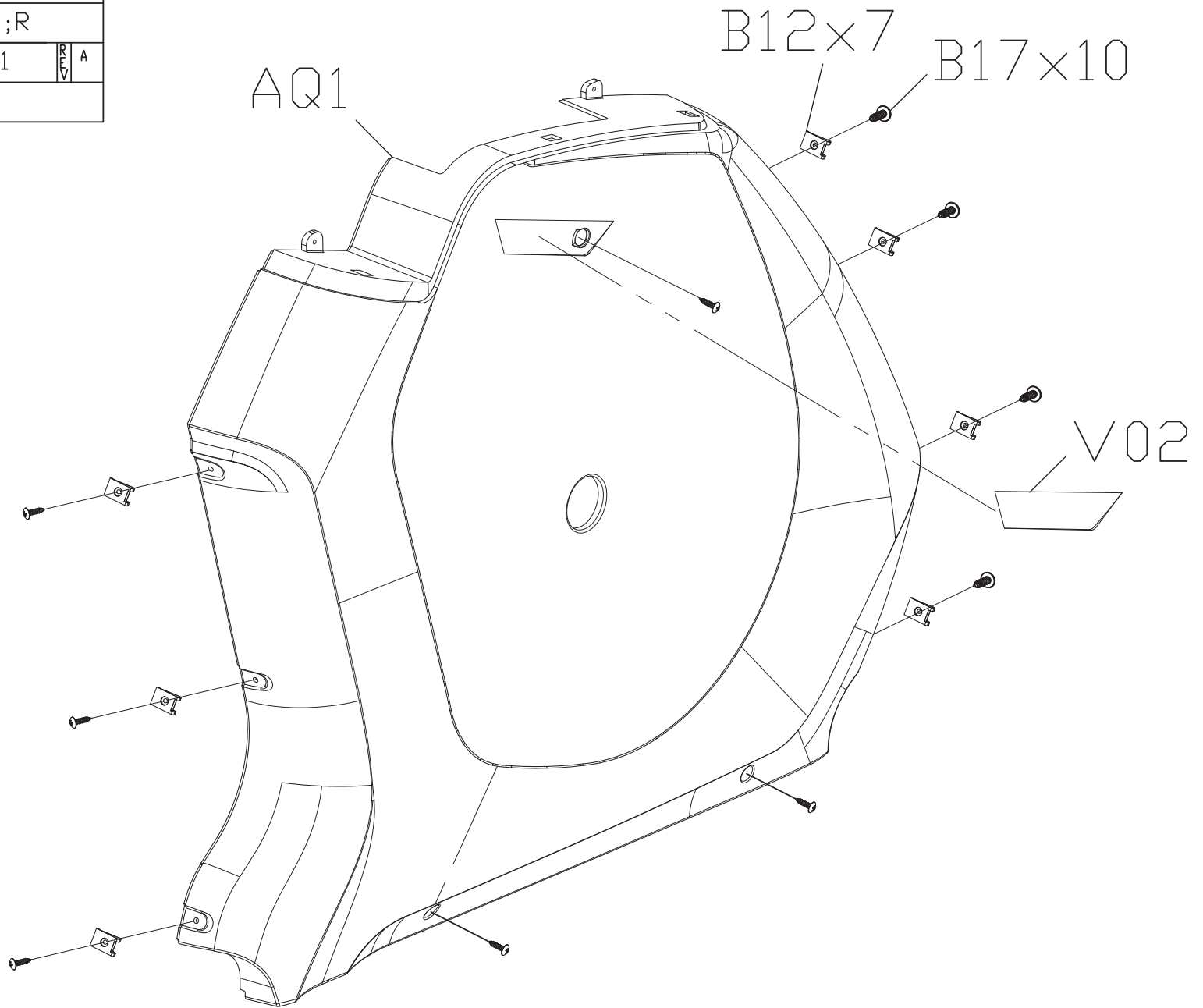
| | | |
|---------------------------|----------------|-------|
| DRAWING NO 圖號 | EP241-A17 | |
| PART NAME(CH) 零件名稱(中文) | 左搖臂組 | |
| PART NAME(EN) 零件名稱(英文) | L-Link Arm Set | |
| SAP PART NO SAP料號 | 1000309226 | REV A |



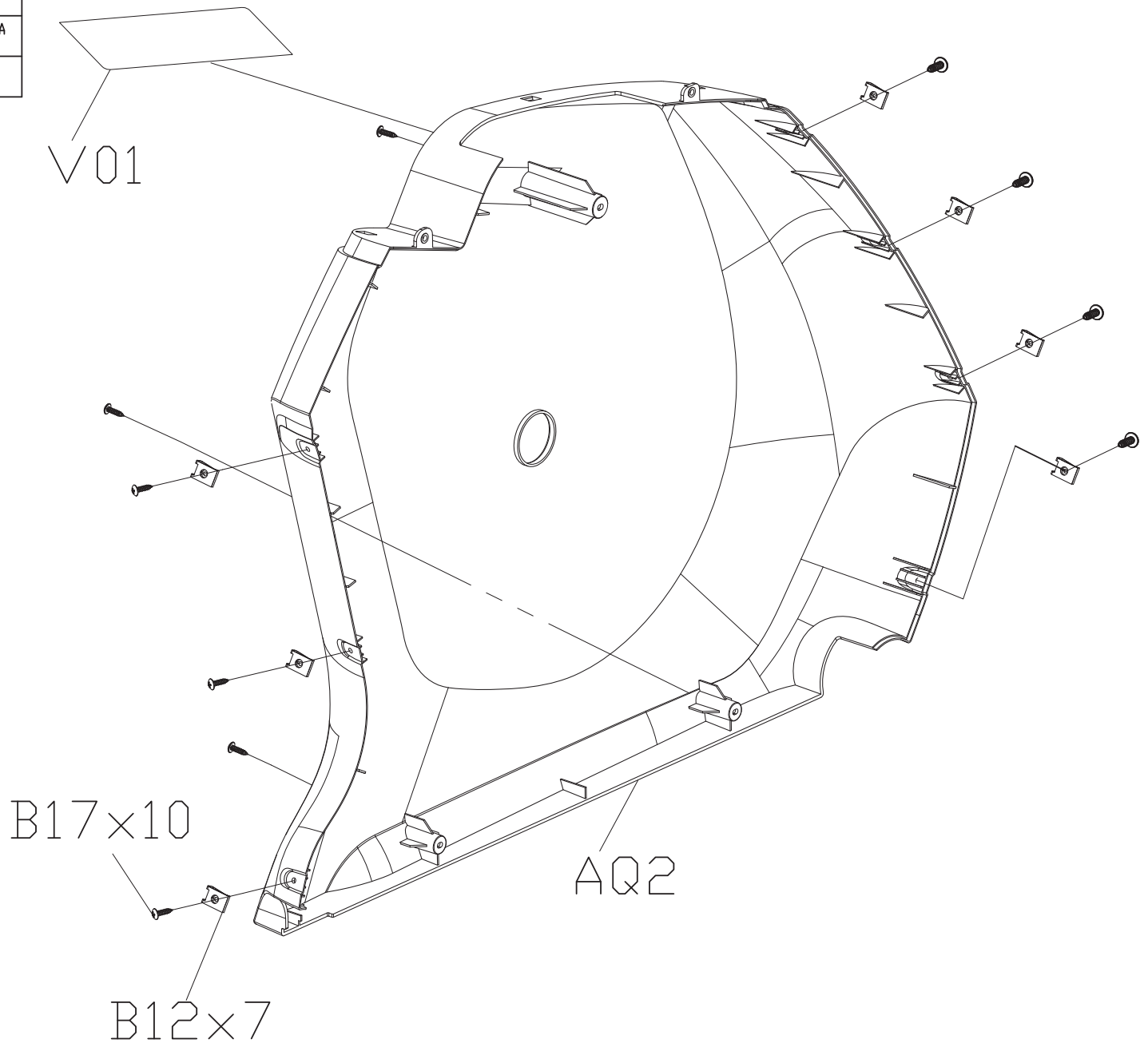
| | | |
|---------------------------|----------------|-------|
| DRAWING NO 圖 號 | EP241-A18 | |
| PART NAME(CH) 零件名稱(中文) | 右搖臂組 | |
| PART NAME(EN) 零件名稱(英文) | R-Link Arm Set | |
| SAP PART NO SAP料號 | 1000309227 | REV A |



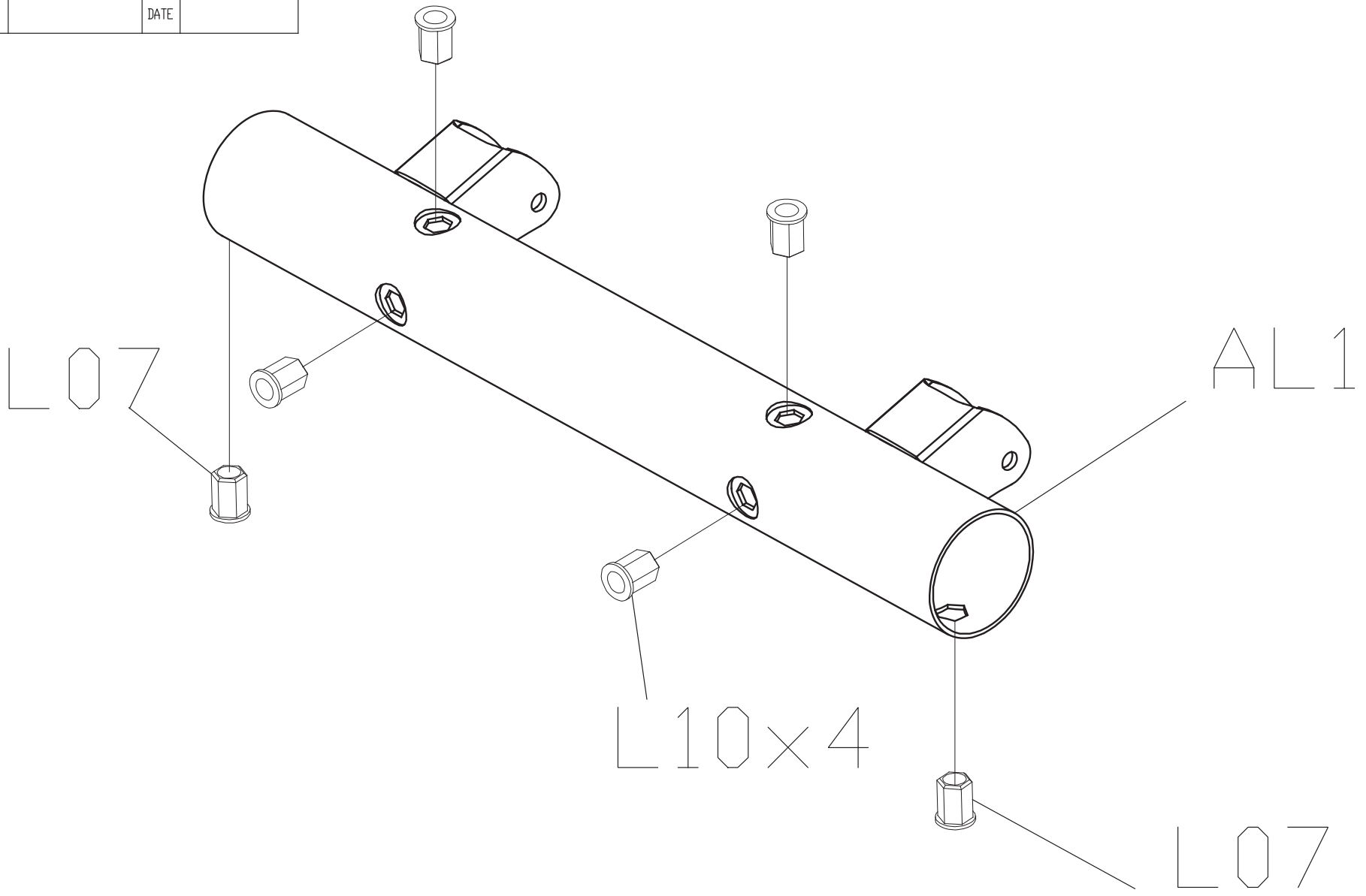
| | | |
|------------|-------------|-------|
| DRAWING NO | EP269-A26 | |
| PART NAME | Cover Set;R | |
| PART NO | 1000232321 | REV A |
| APPROVE | DATE | |



| | | | |
|------------|-------------|------|---|
| DRAWING NO | EP269-A27 | | |
| PART NAME | Cover Set;L | | |
| PART NO | 1000232322 | REV | A |
| APPROVE | | DATE | |



| | | | |
|------------|------------|------|---|
| DRAWING NO | EP268-A24 | | |
| PART NAME | Wheel Set | | |
| PART NO | 1000231854 | REV | A |
| APPROVE | | DATE | |



| | | | |
|-------------|-----------------|------|---|
| DRAWING NO | EP268-A22 | | |
| PART NAME | Belt pulley set | | |
| SAP PART NO | 1000231857 | REV | A |
| APPROVE | | DATE | |

