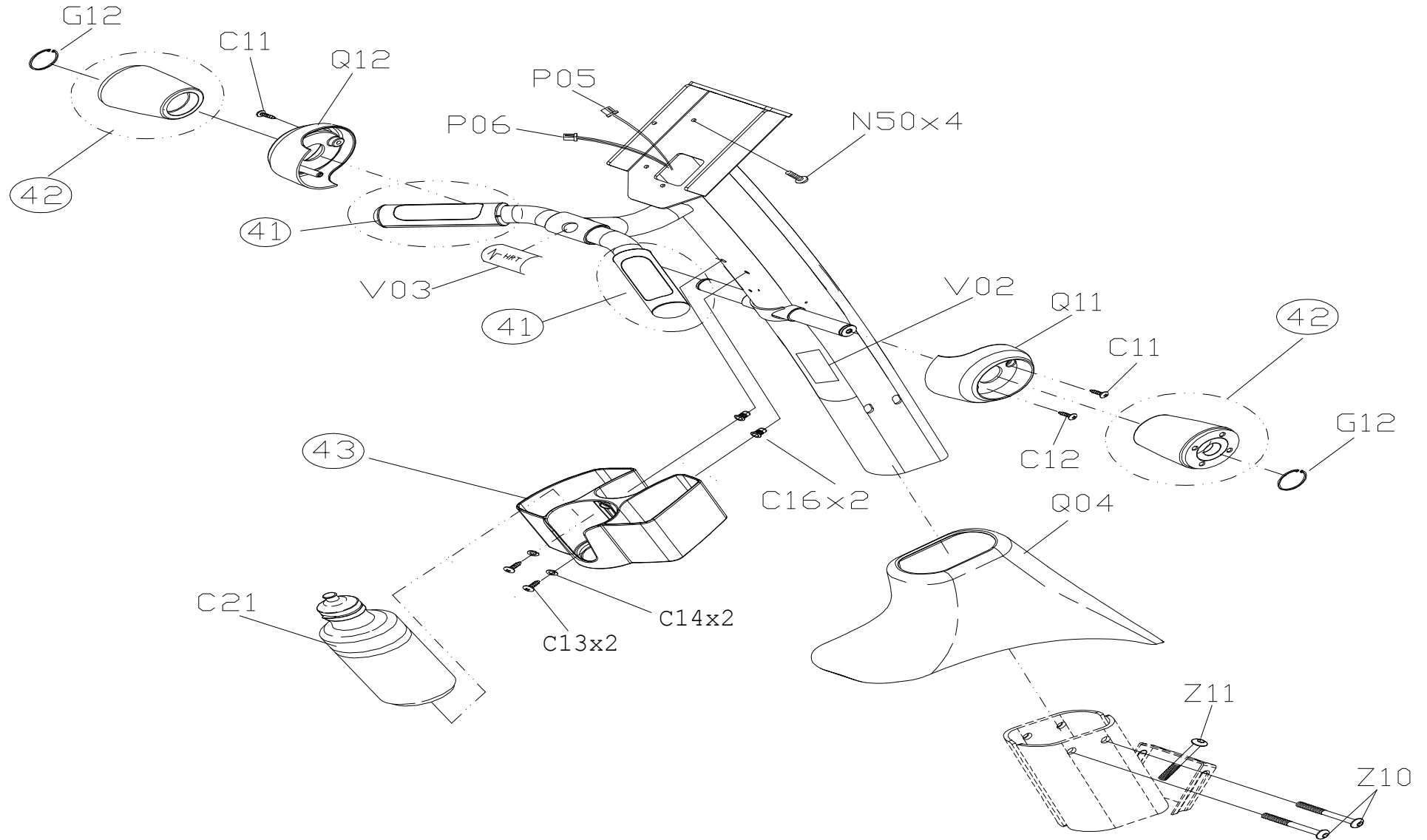
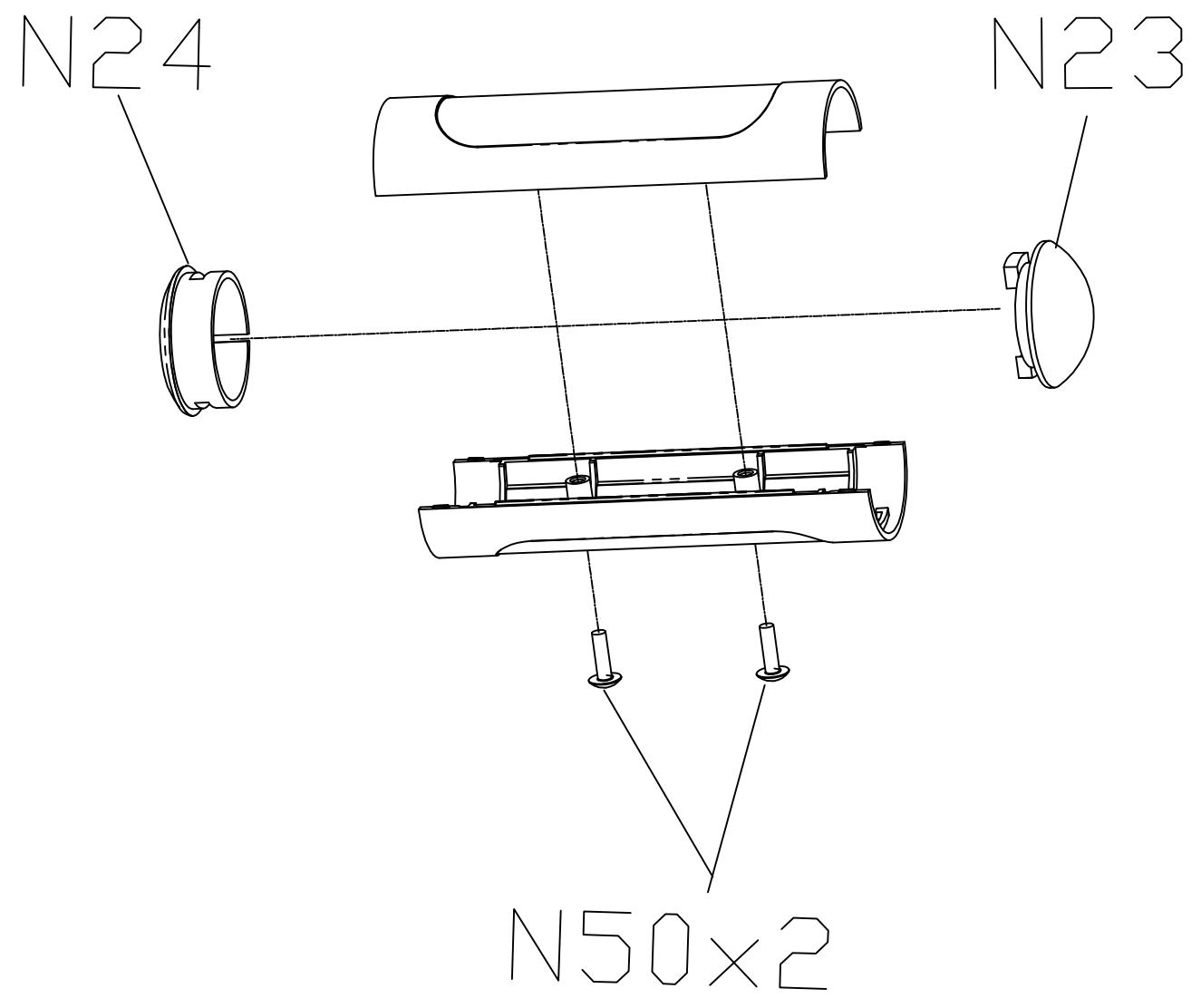


0000093645

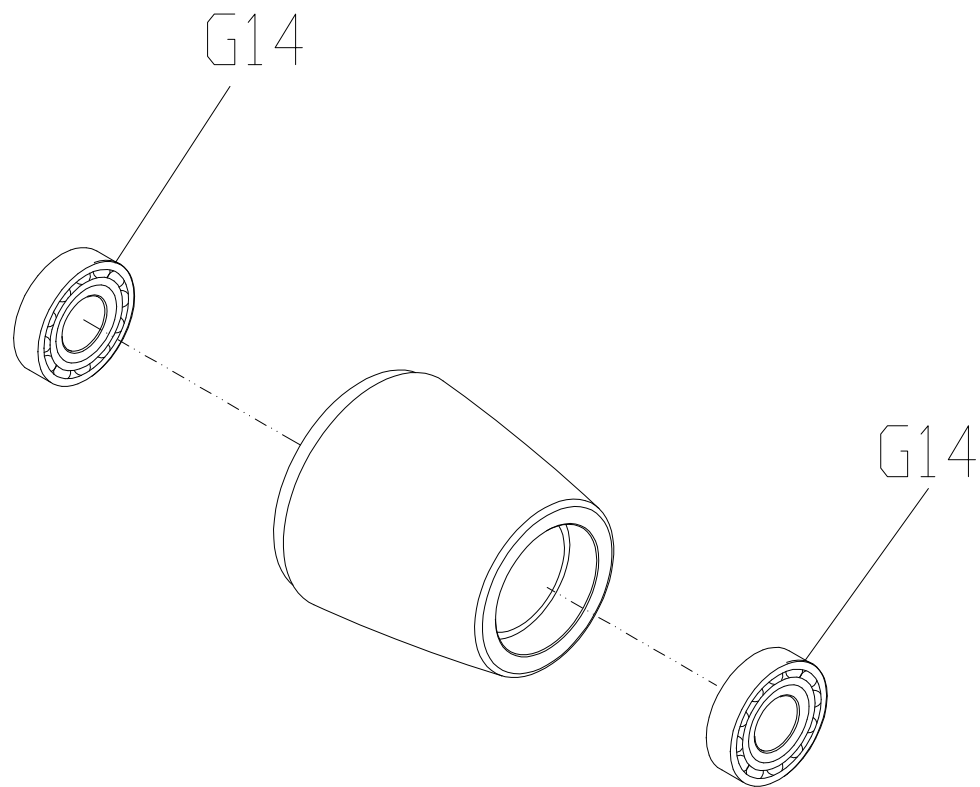
TOTOP





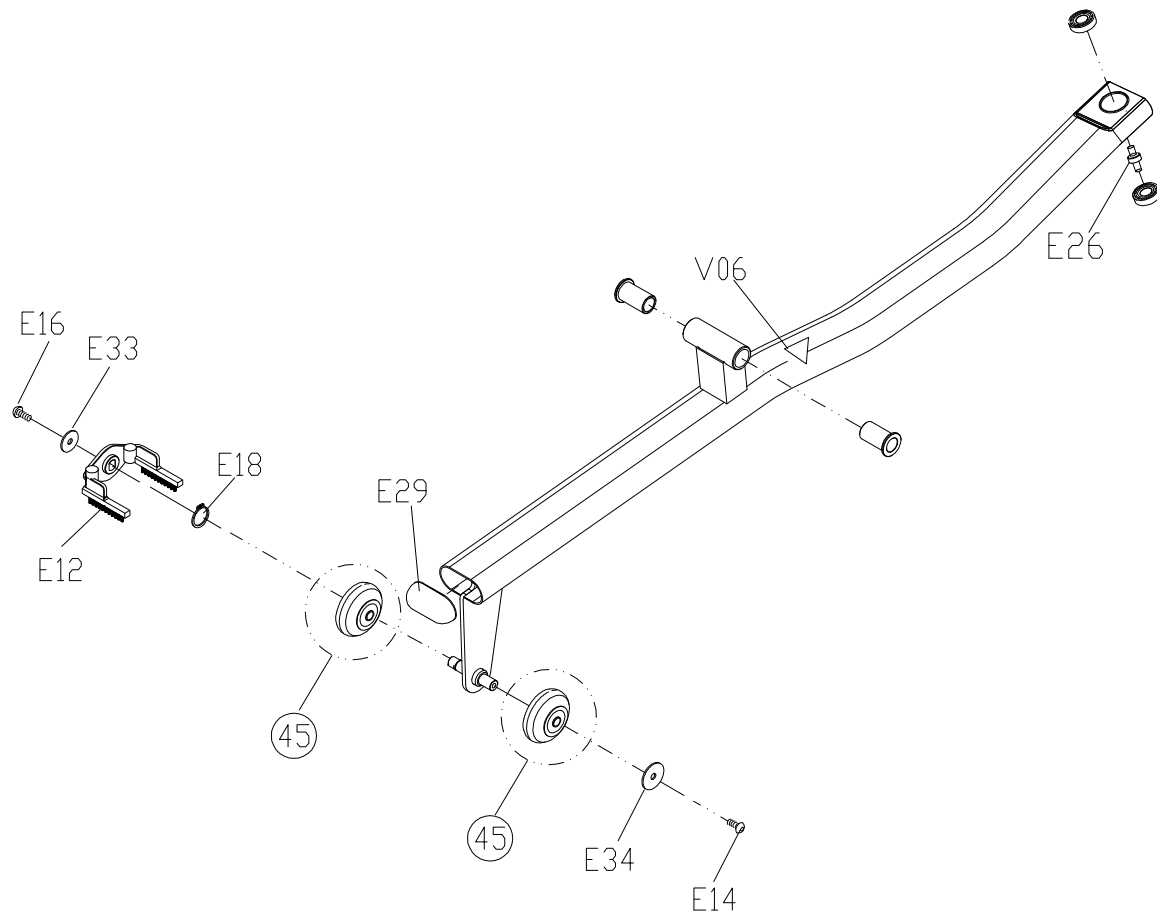
0000094579

TO TOP



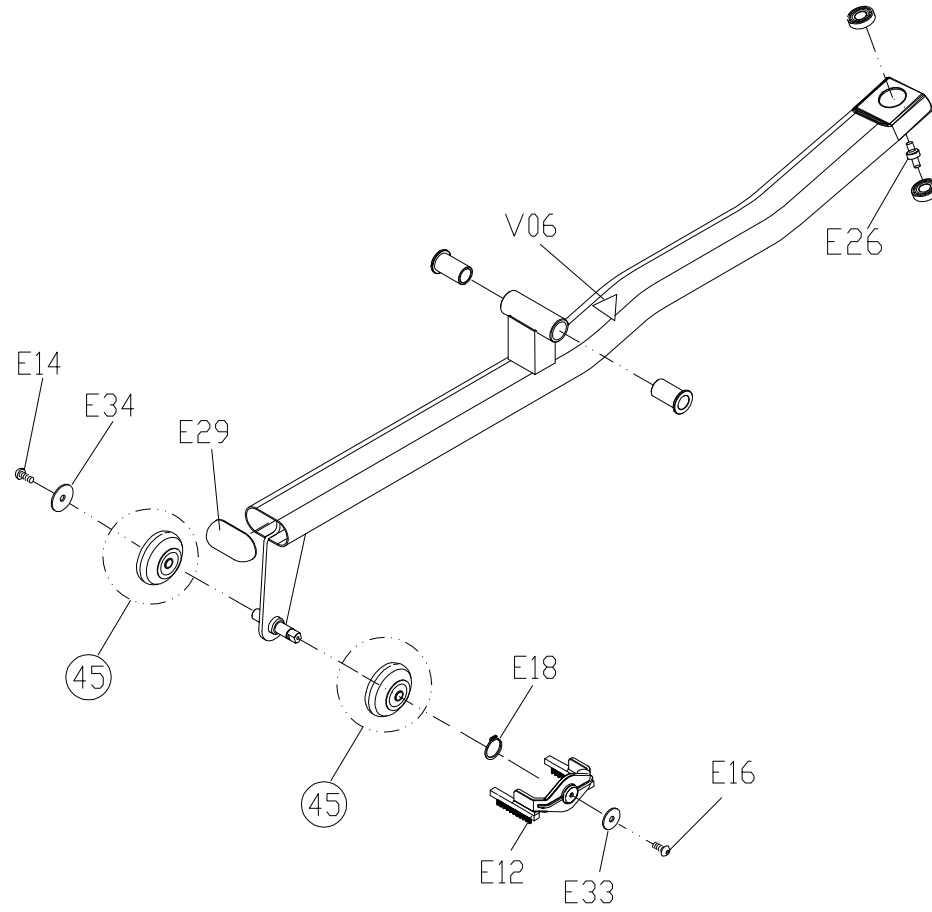
0000093650

TO TOP



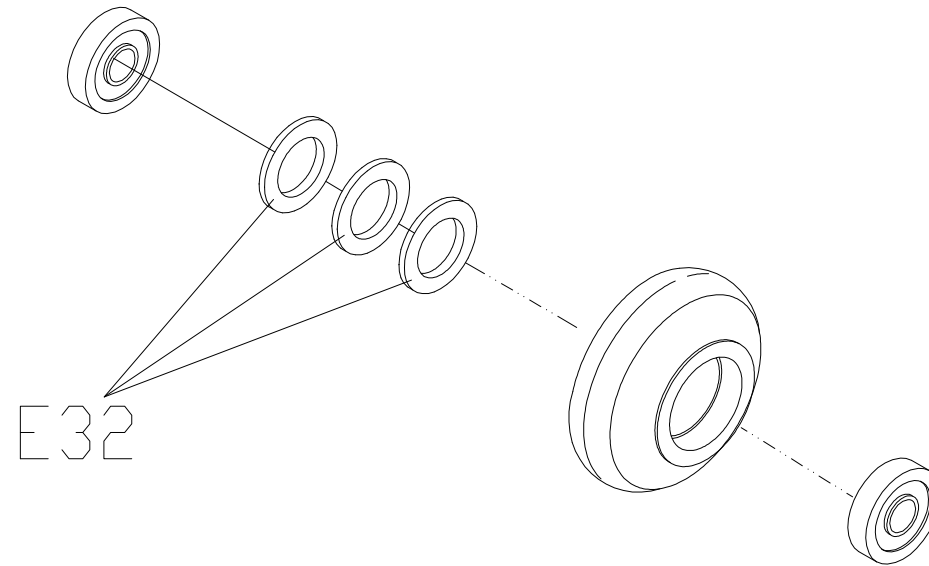
0000093655

TO TOP



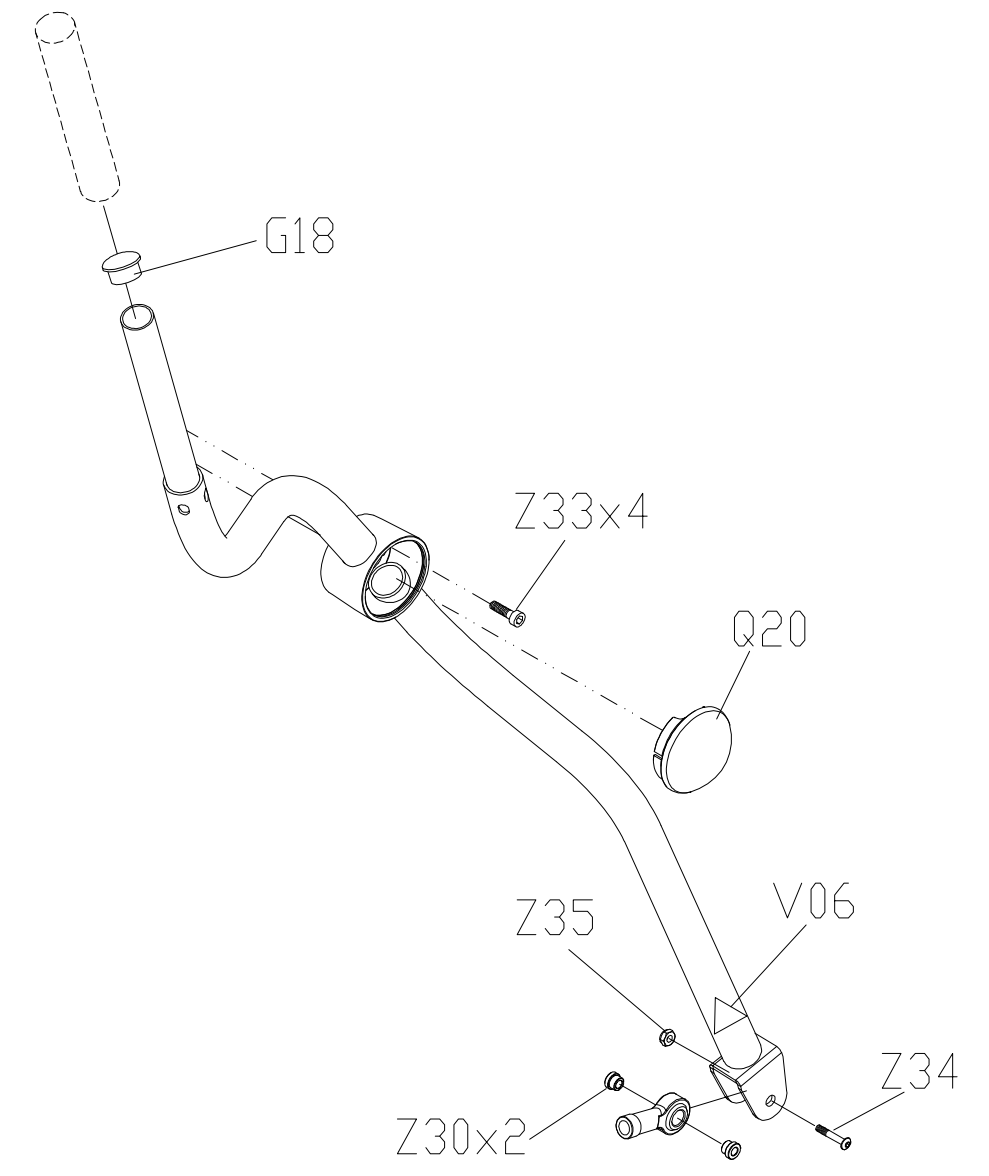
0000093654

TO TOP



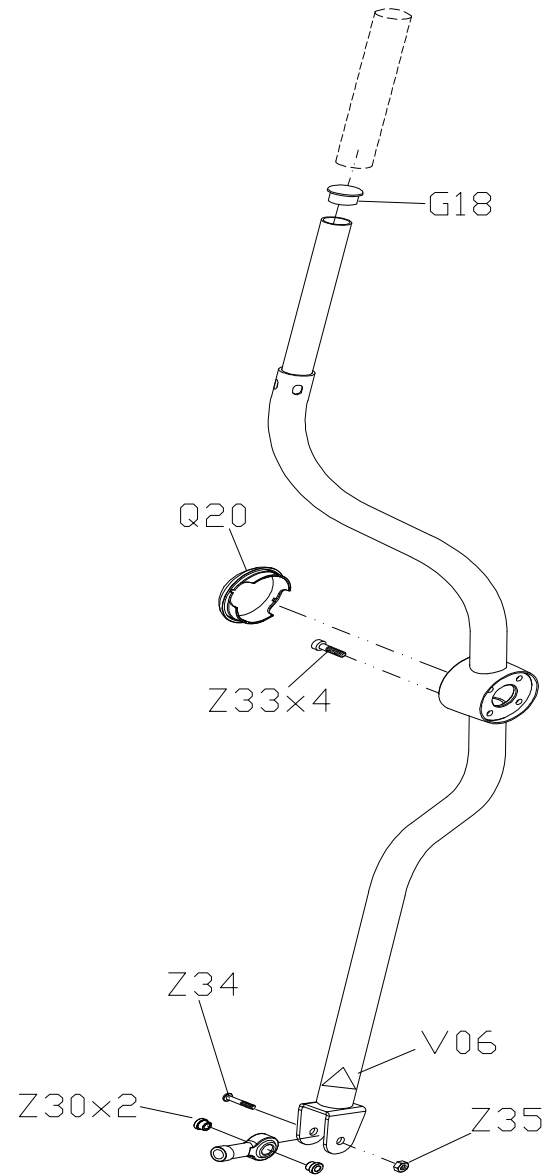
0000093660

TO TOP



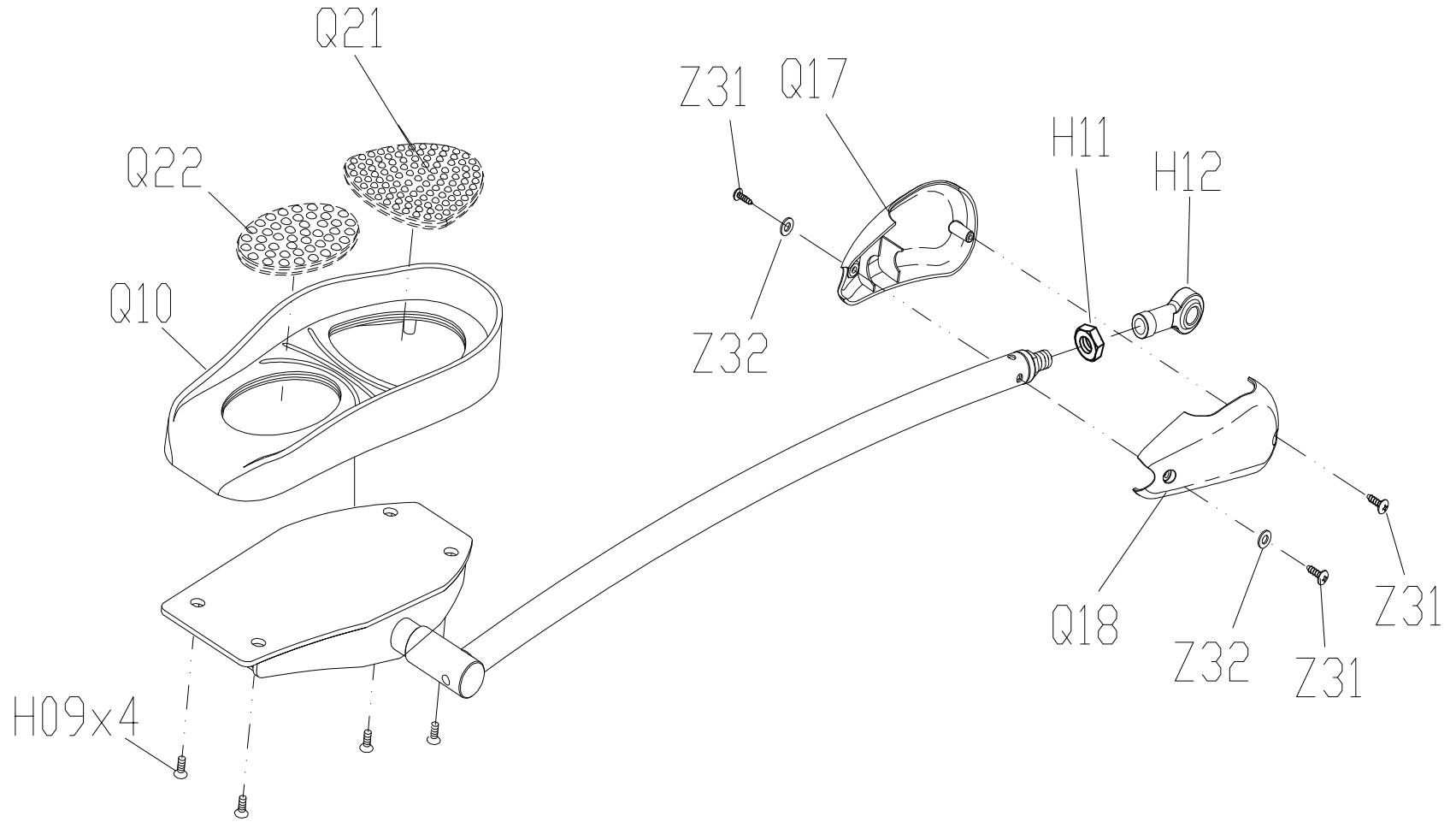
0000093662

TO TOP



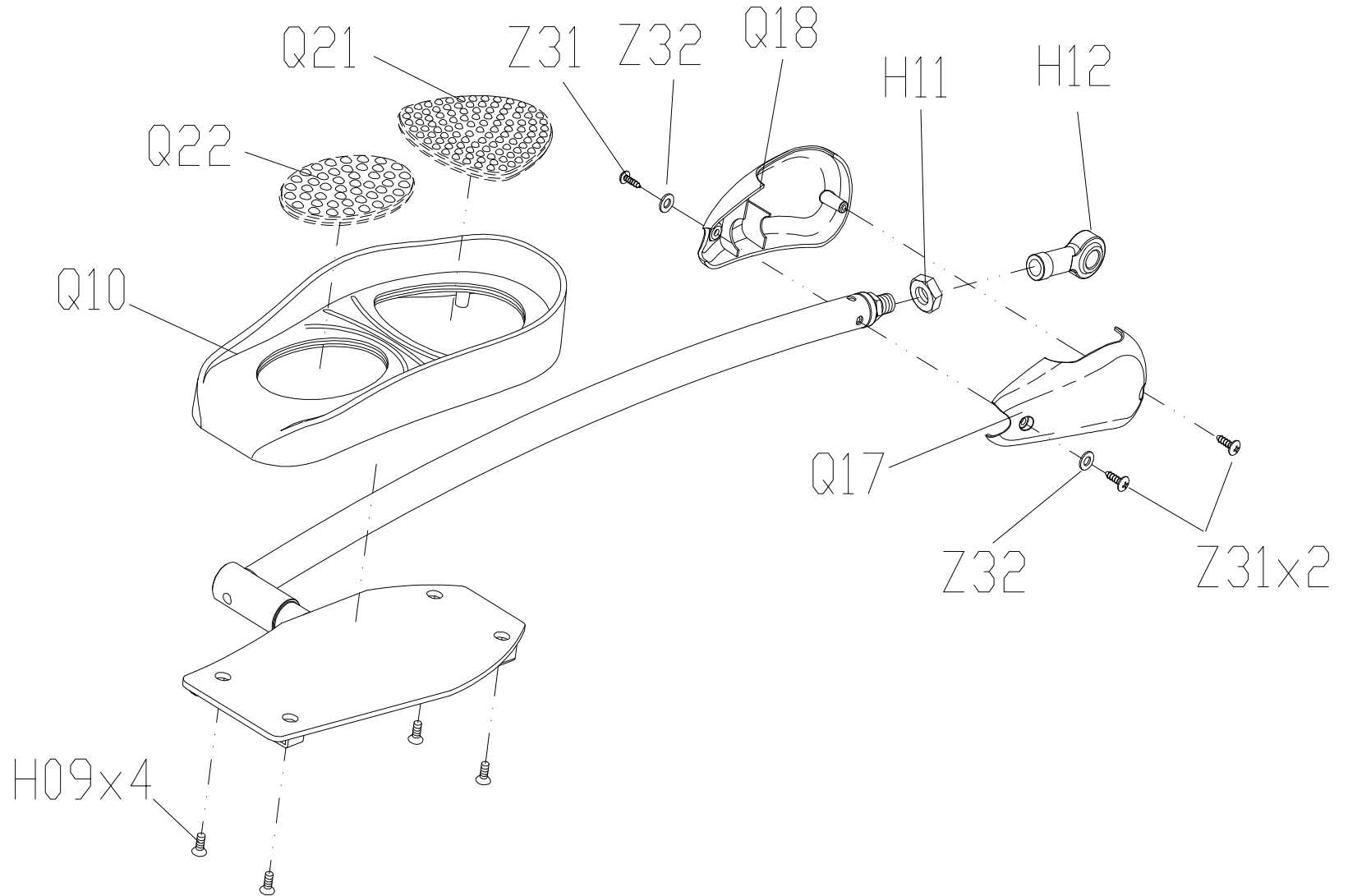
0000093664

TO TOP



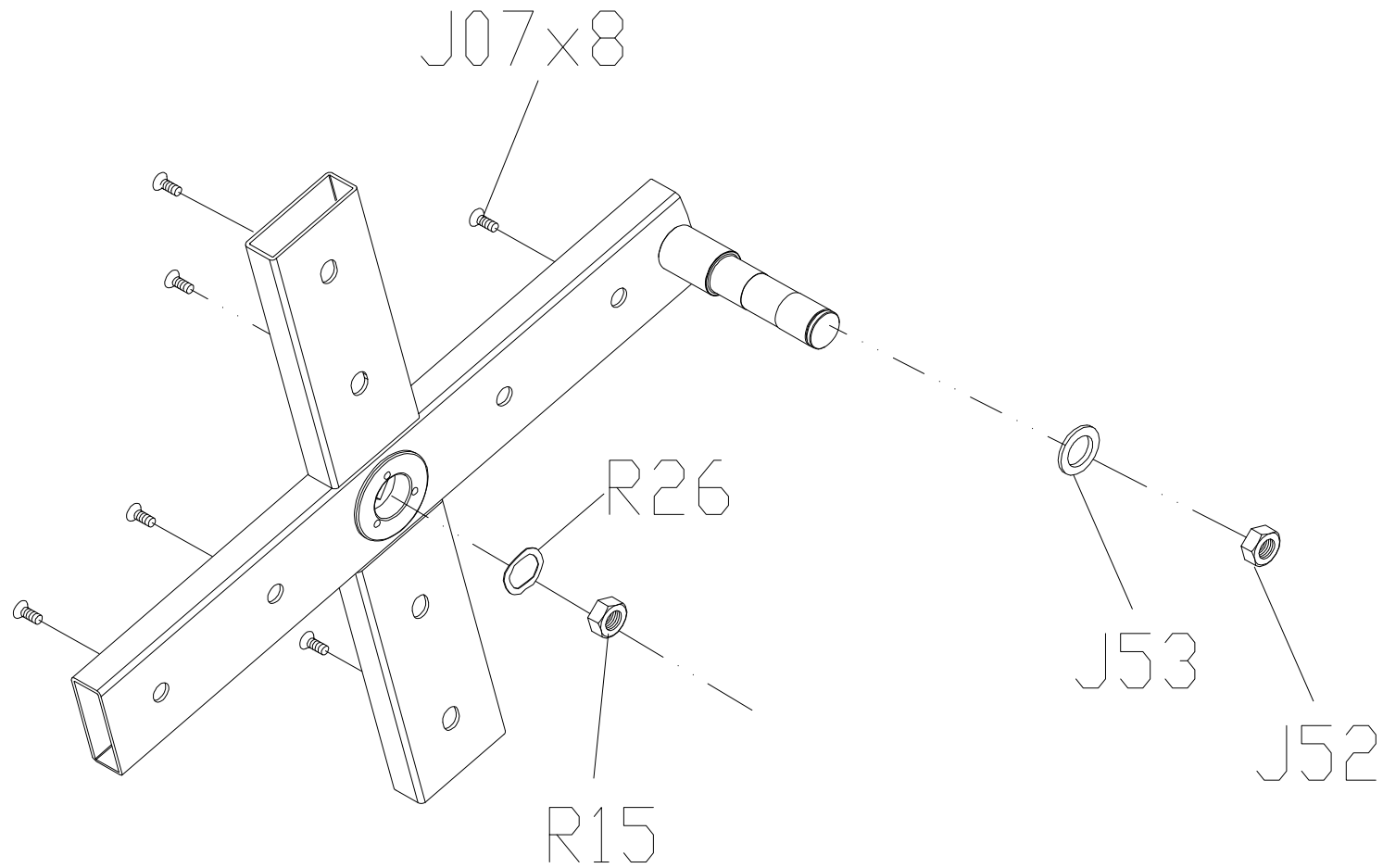
0000093665

TO TOP



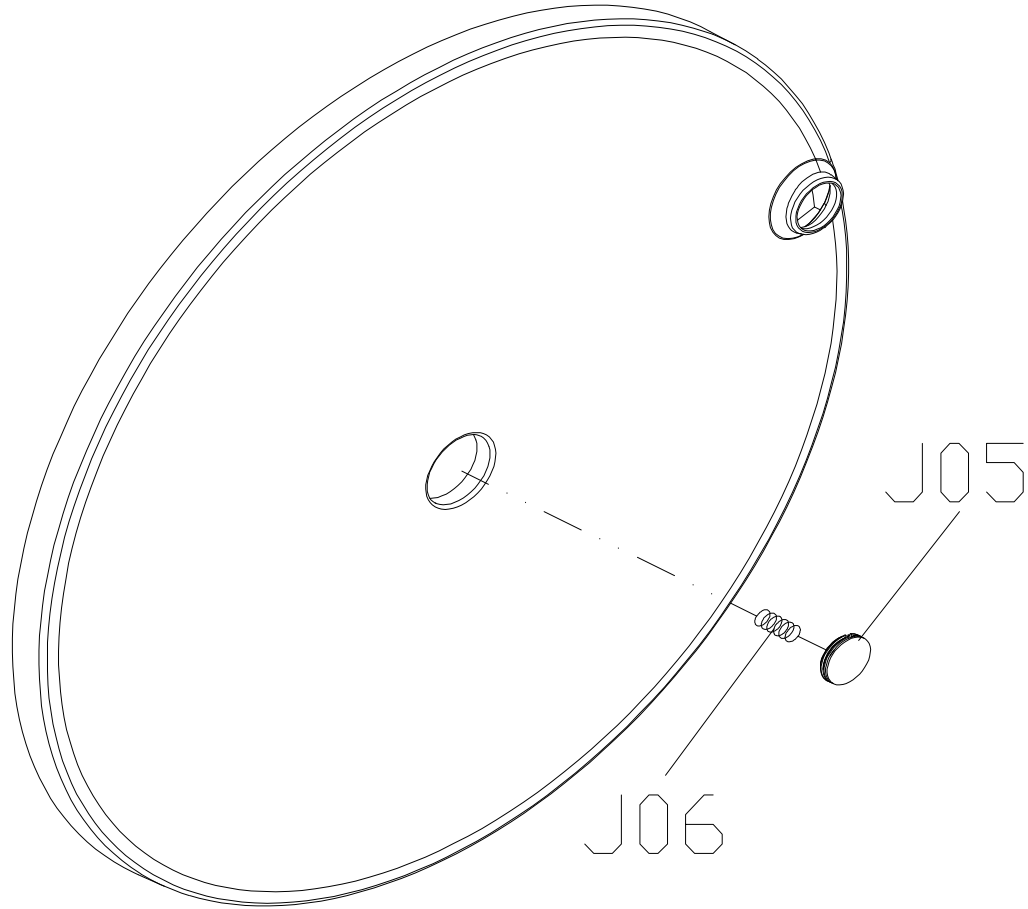
0000093670

TO TOP



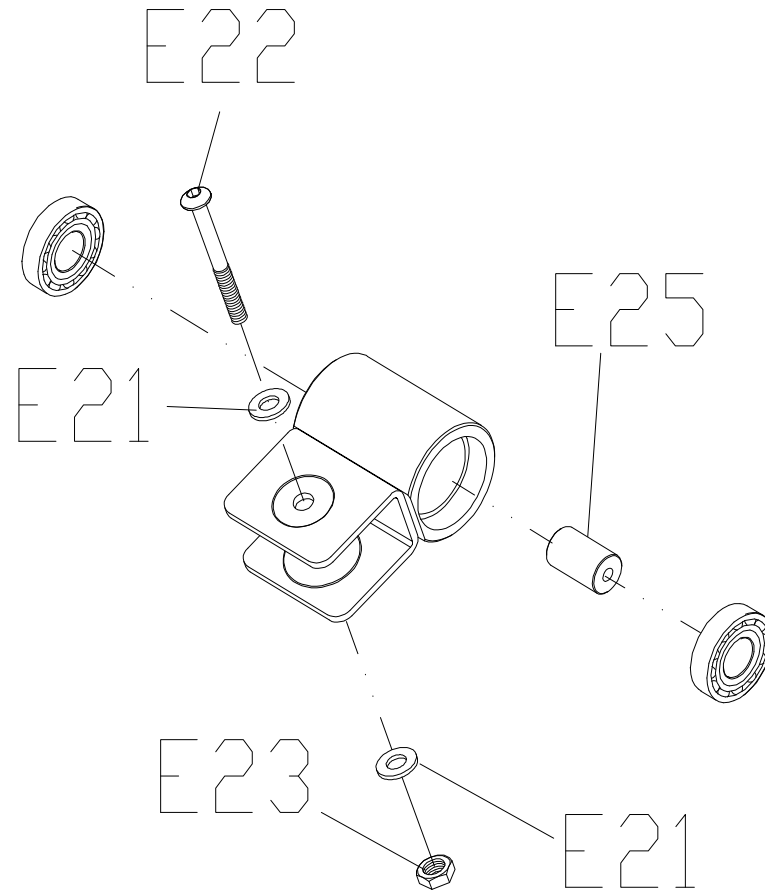
0000093674

TO TOP



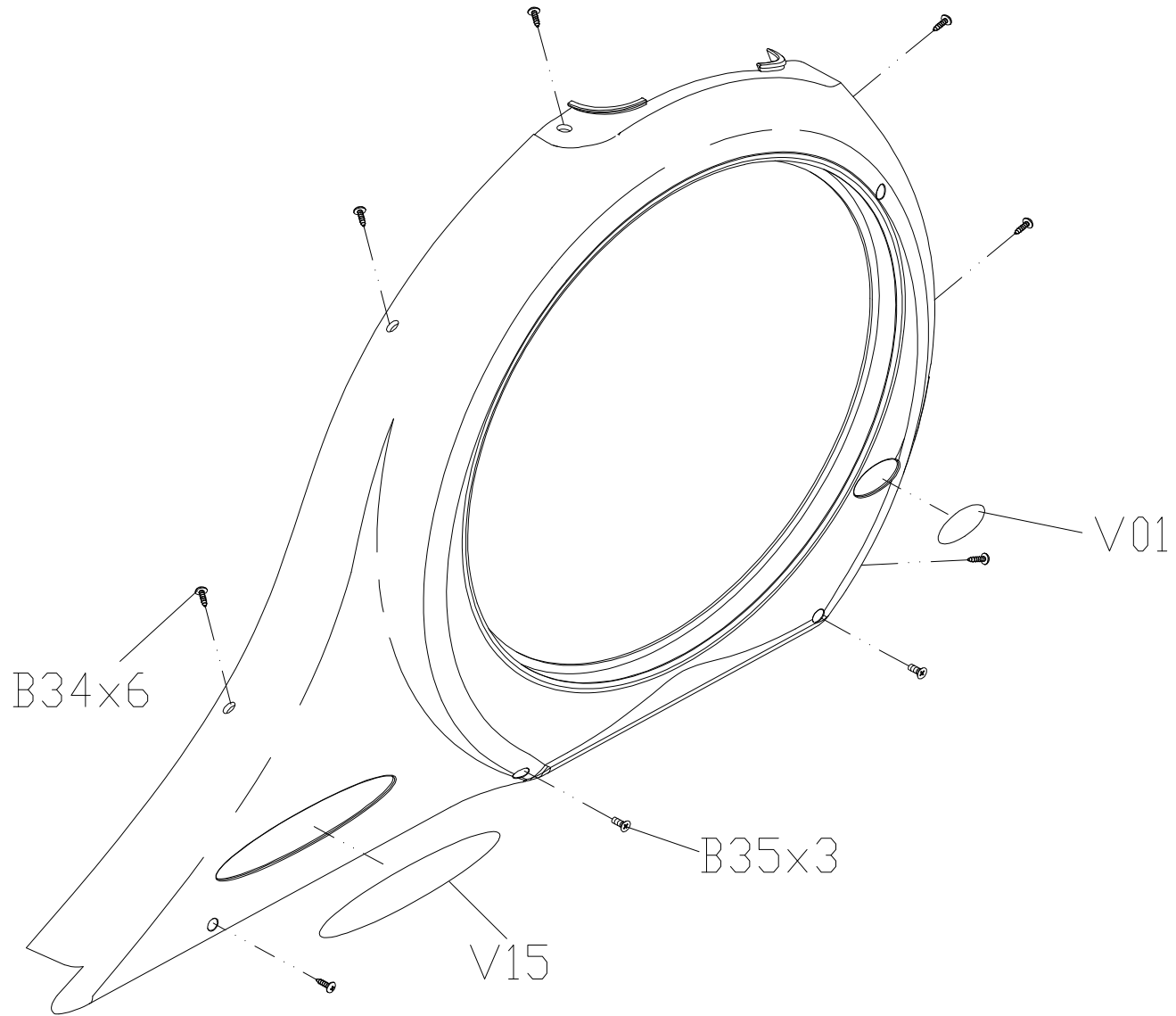
0000093675

TO TOP



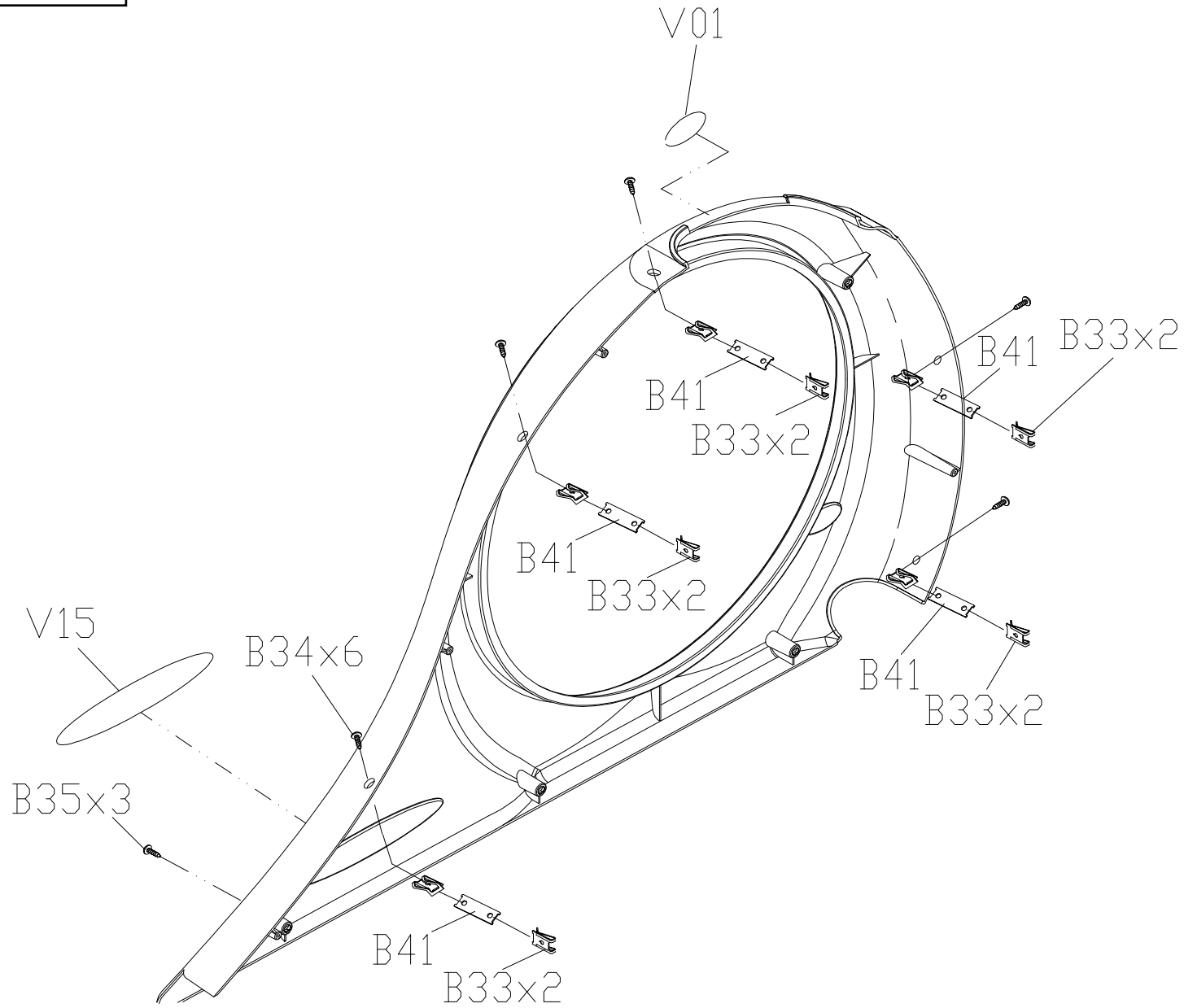
0000093679

TO TOP



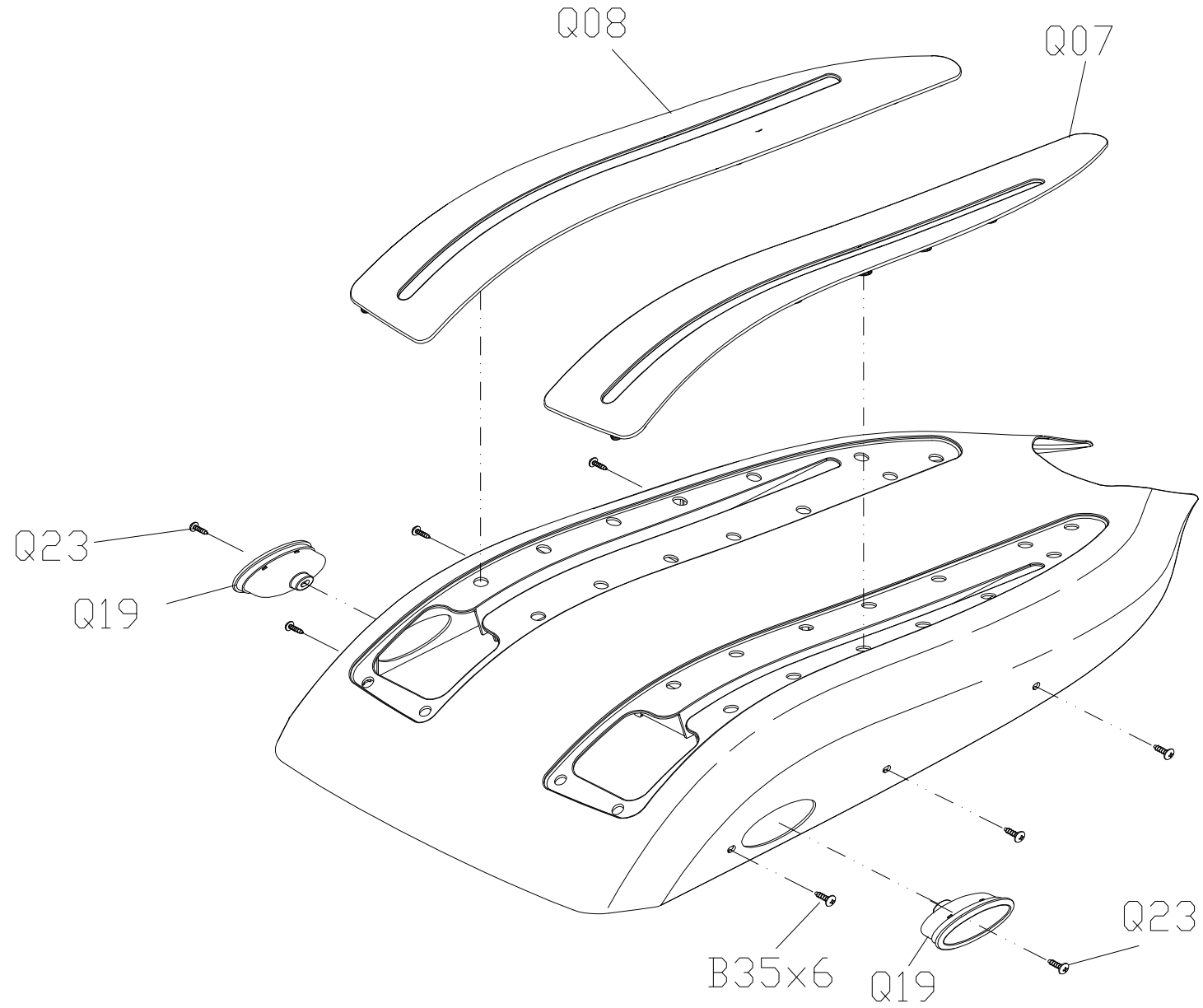
0000093680

TO TOP



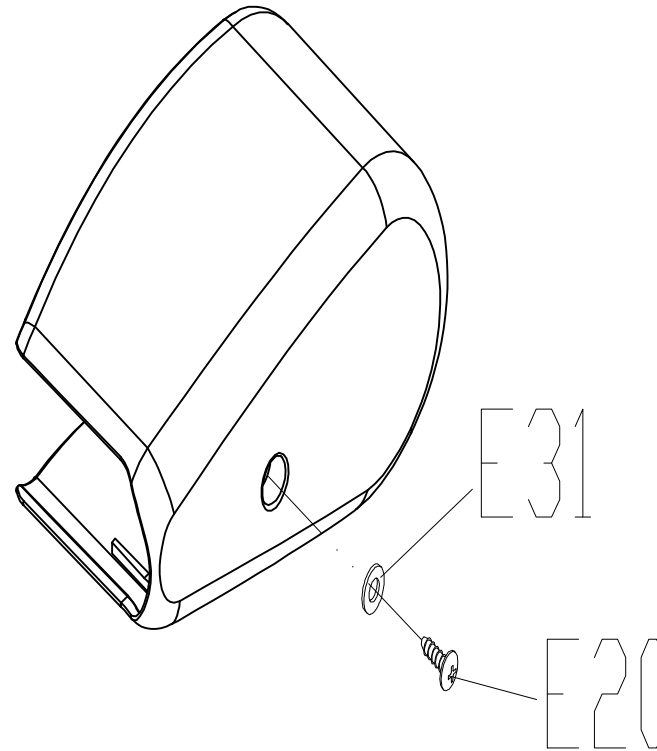
0000093681

TOTOP



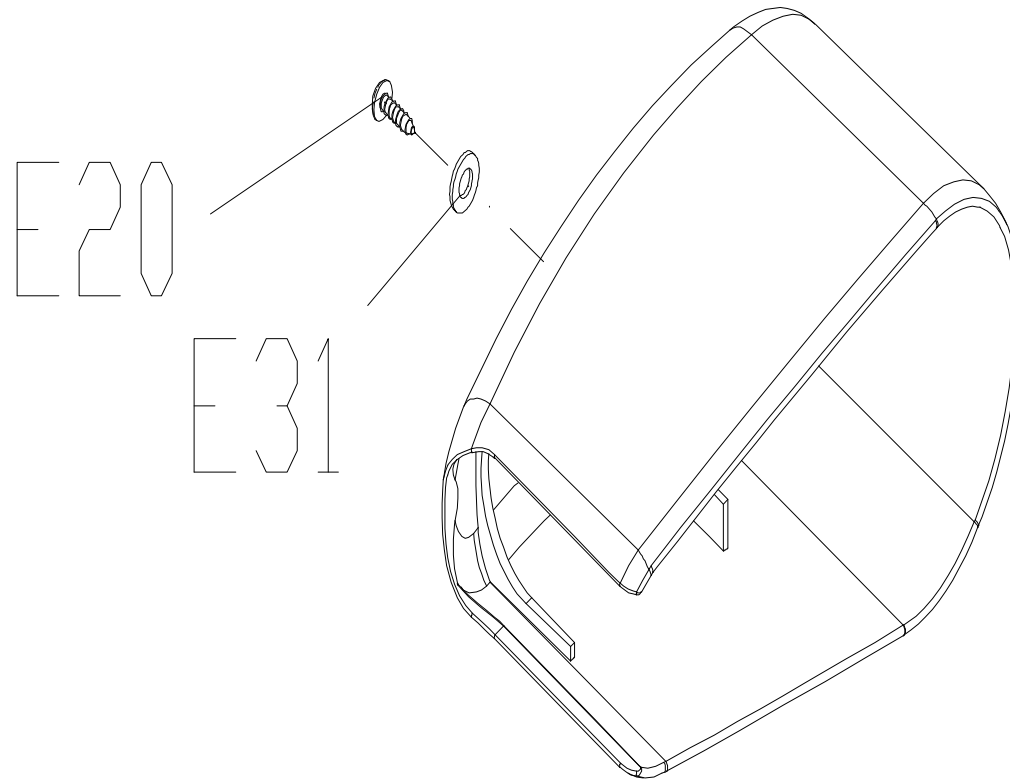
0000093682

TO TOP



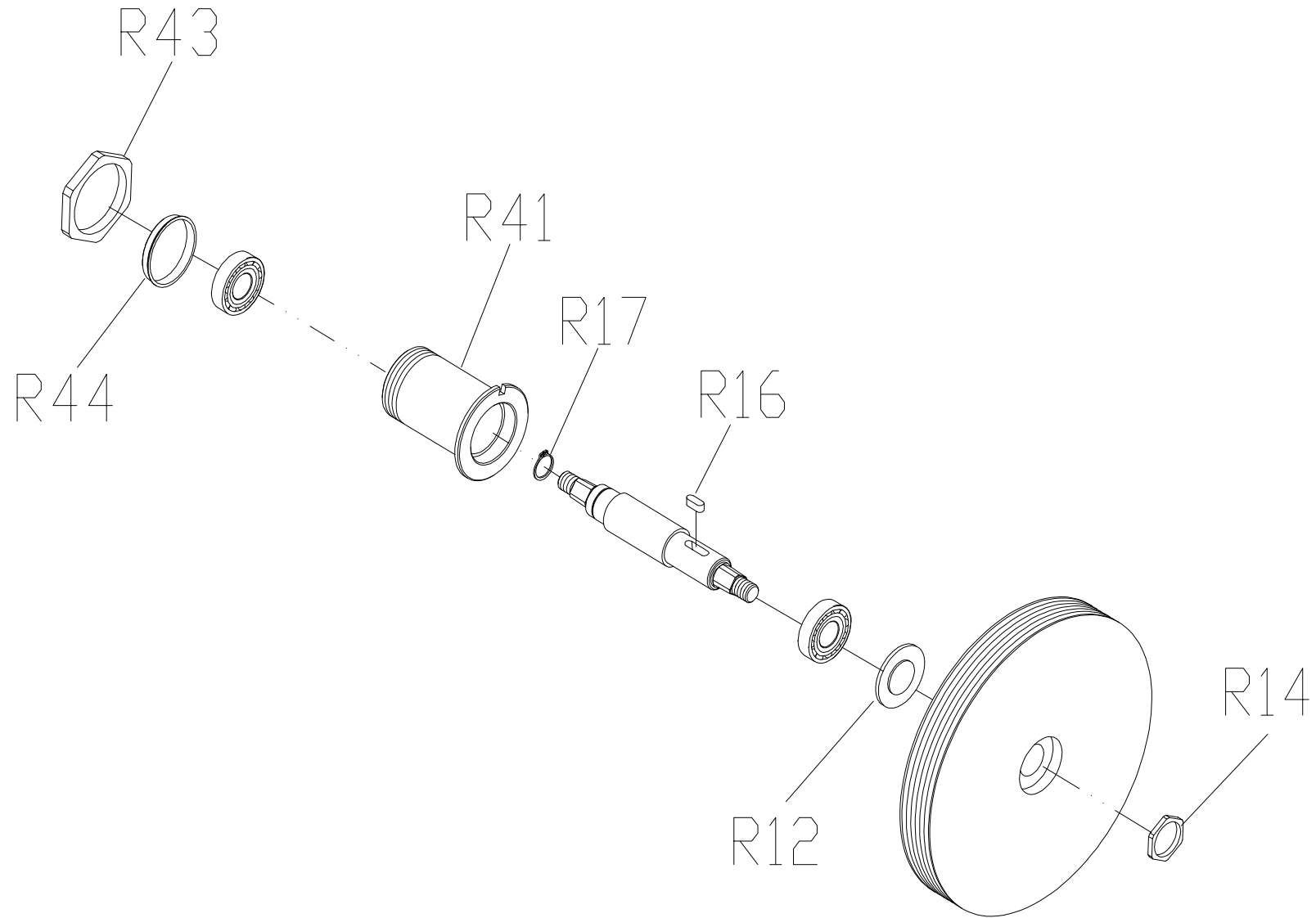
0000093683

TO TOP



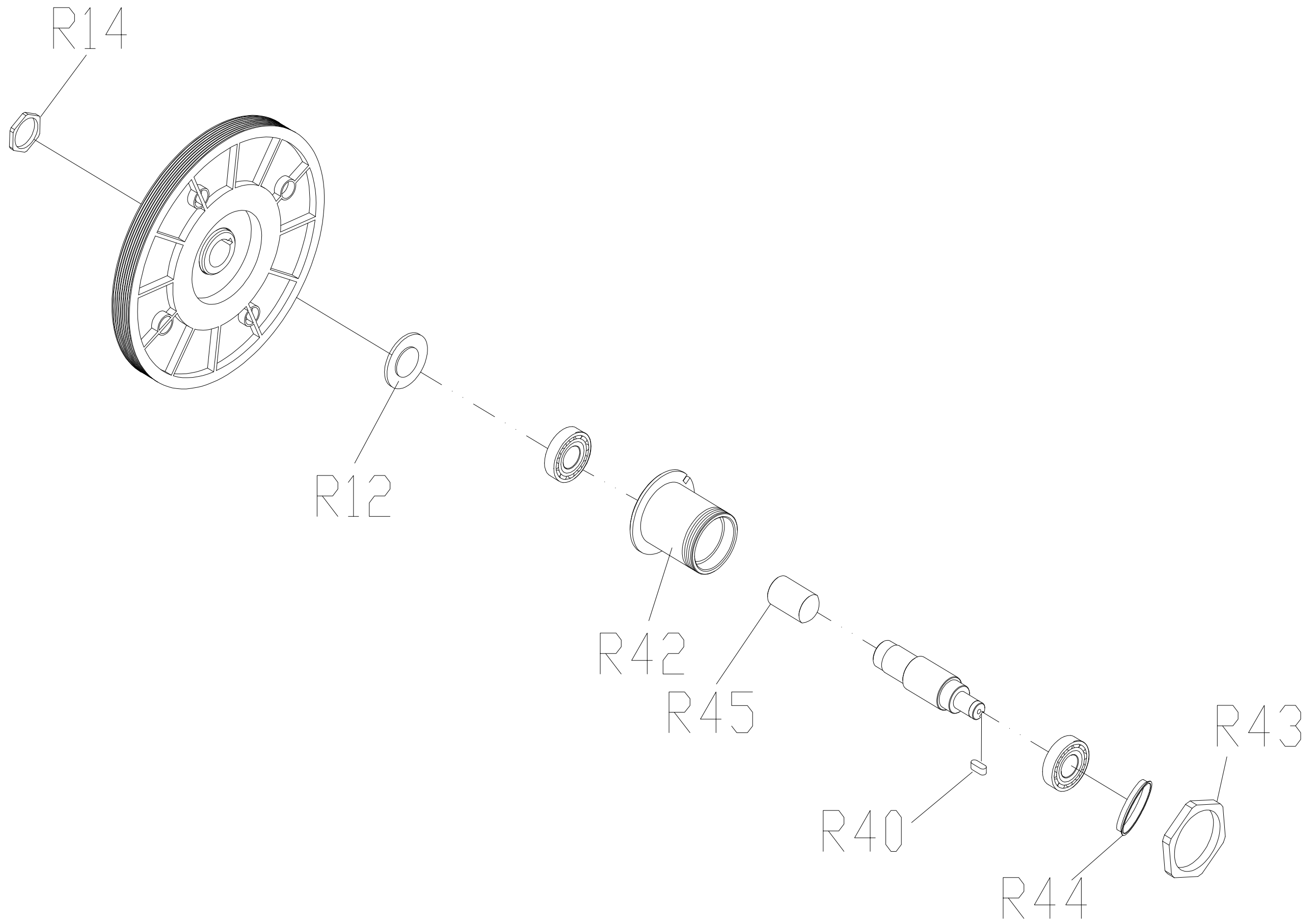
0000093685

TO TOP



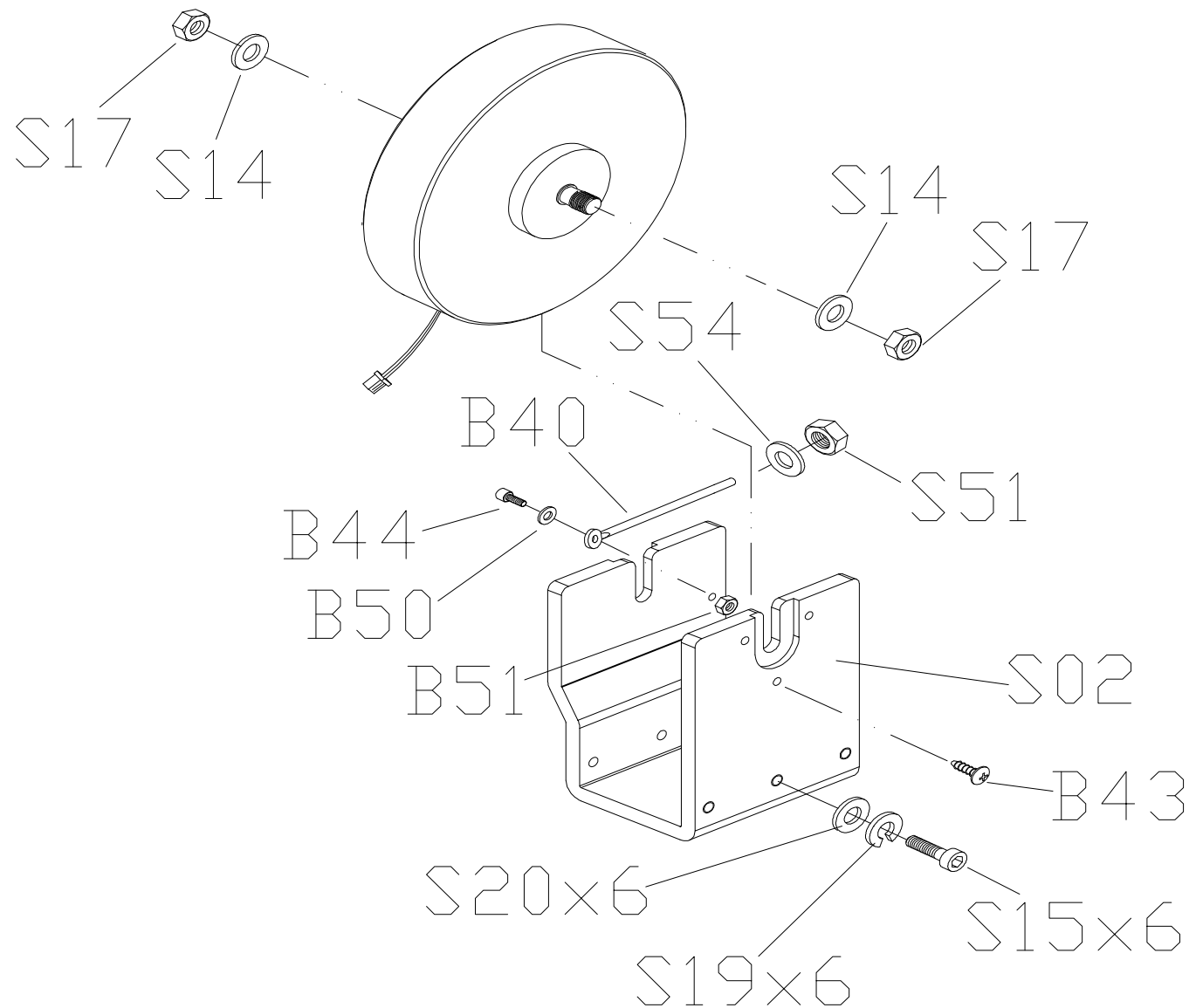
0000093688

TO TOP



0000093692

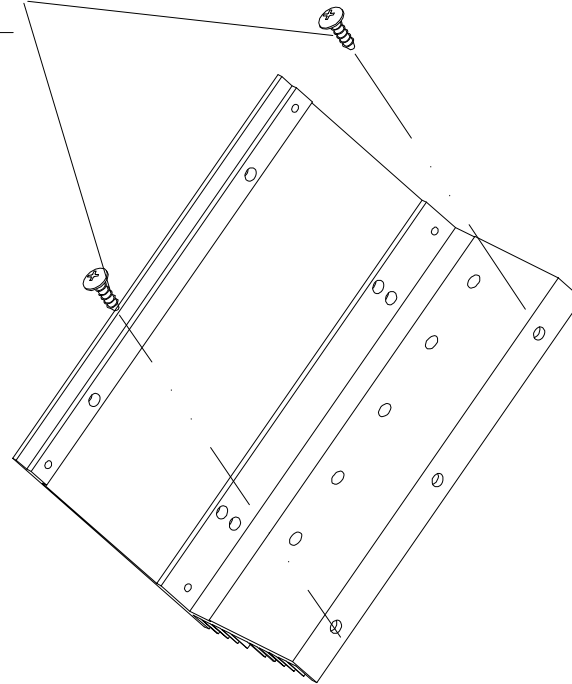
TOTOP



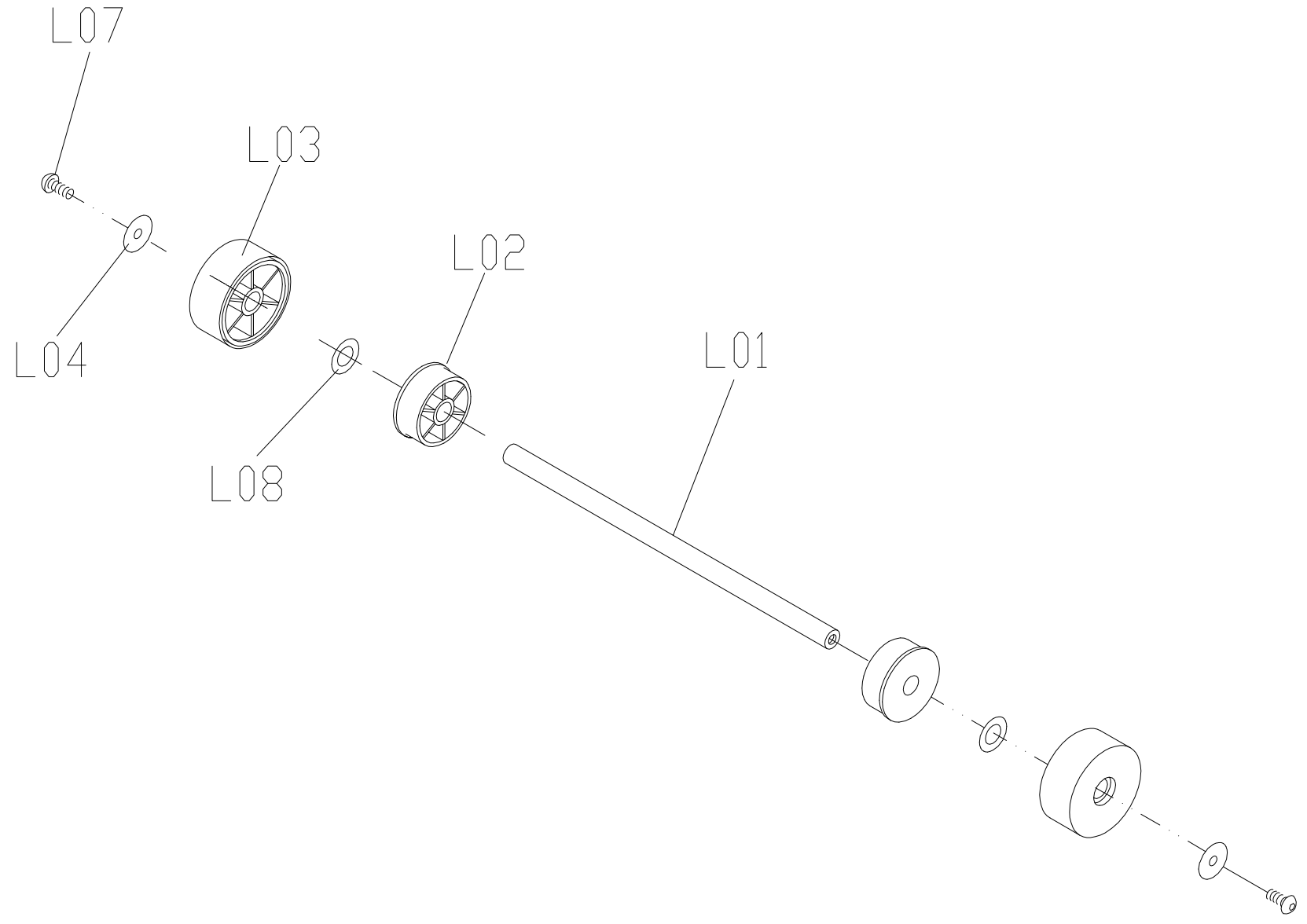
0000093693

TO TOP

S12x2

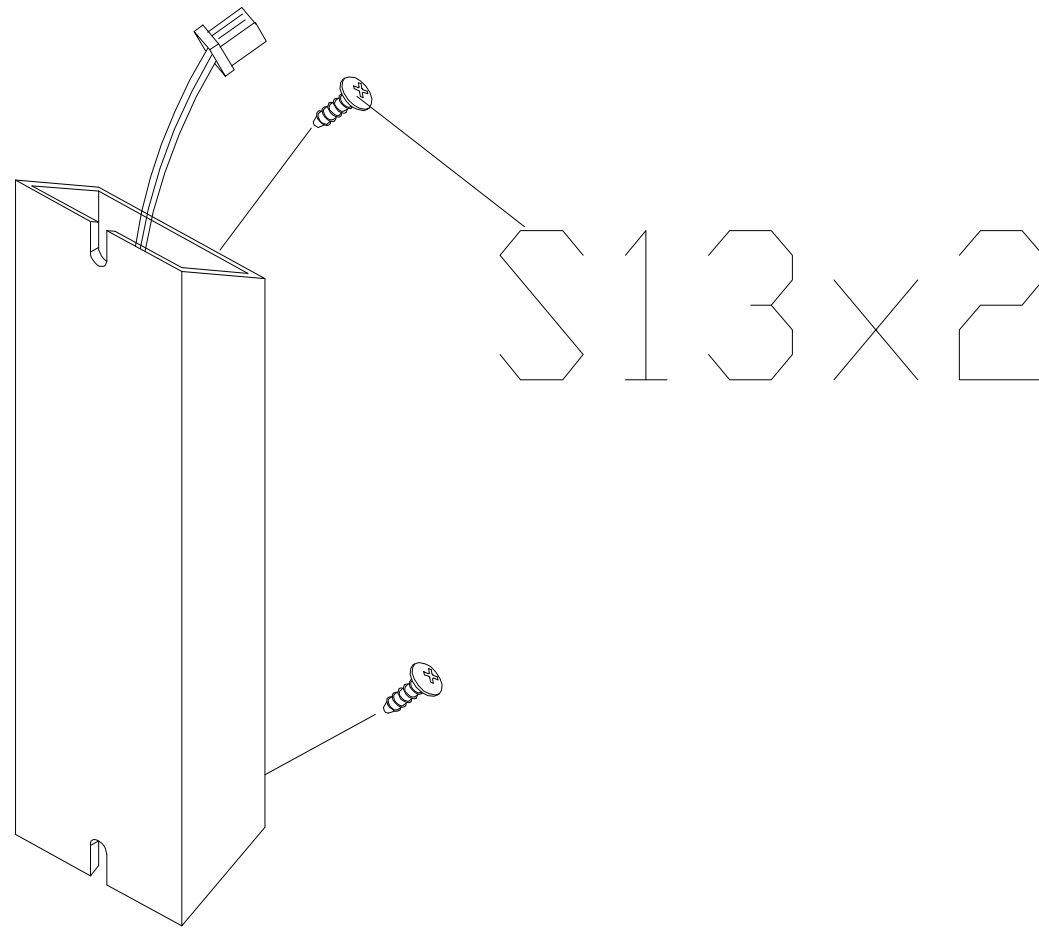


DRAWING NO	EP303-AL08		
PART NAME	Wheel Set		
PART NO	0000094772 B		
APPROVE	S.T.C	DATE	022411



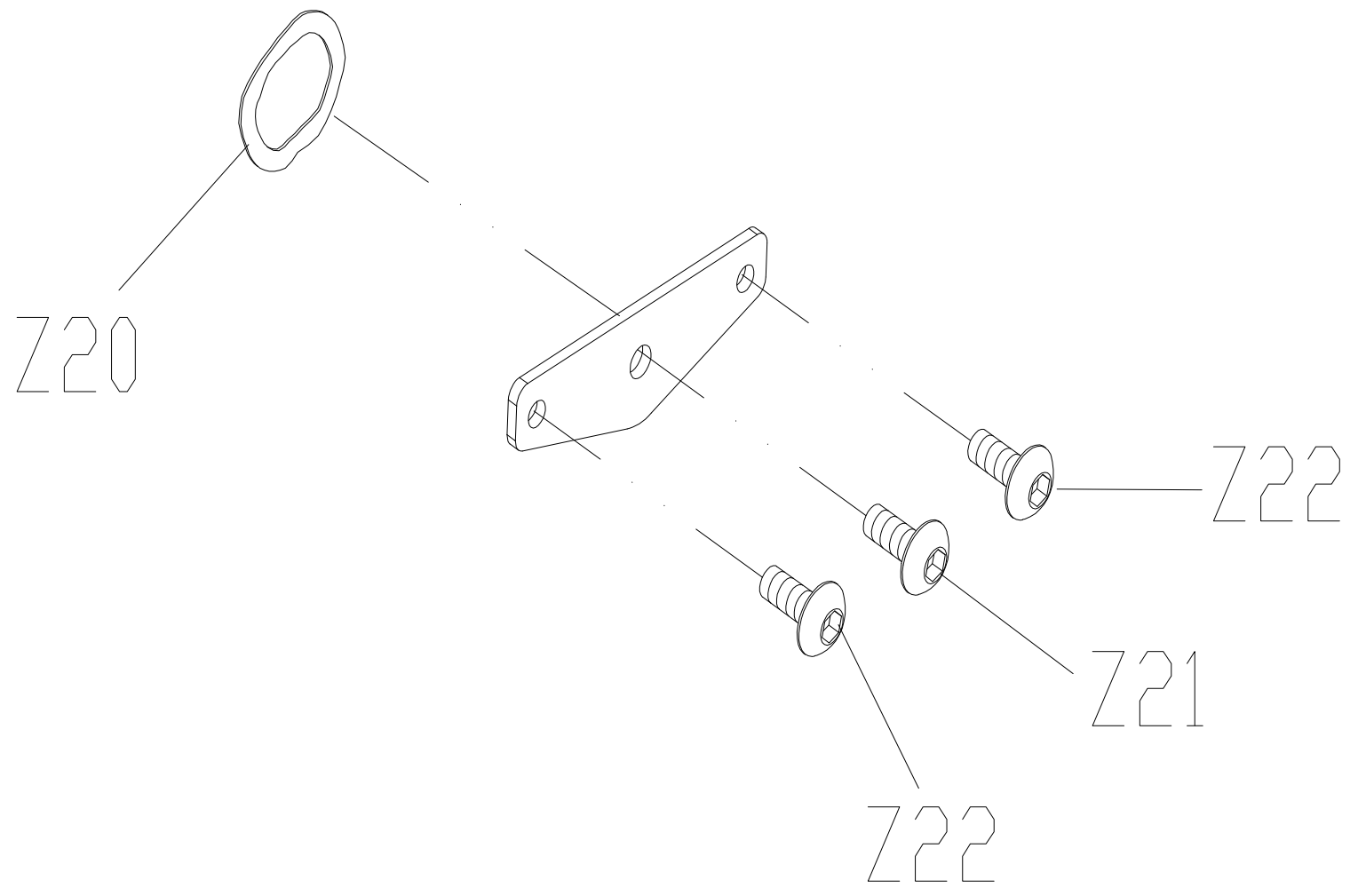
0000094773

TO TOP



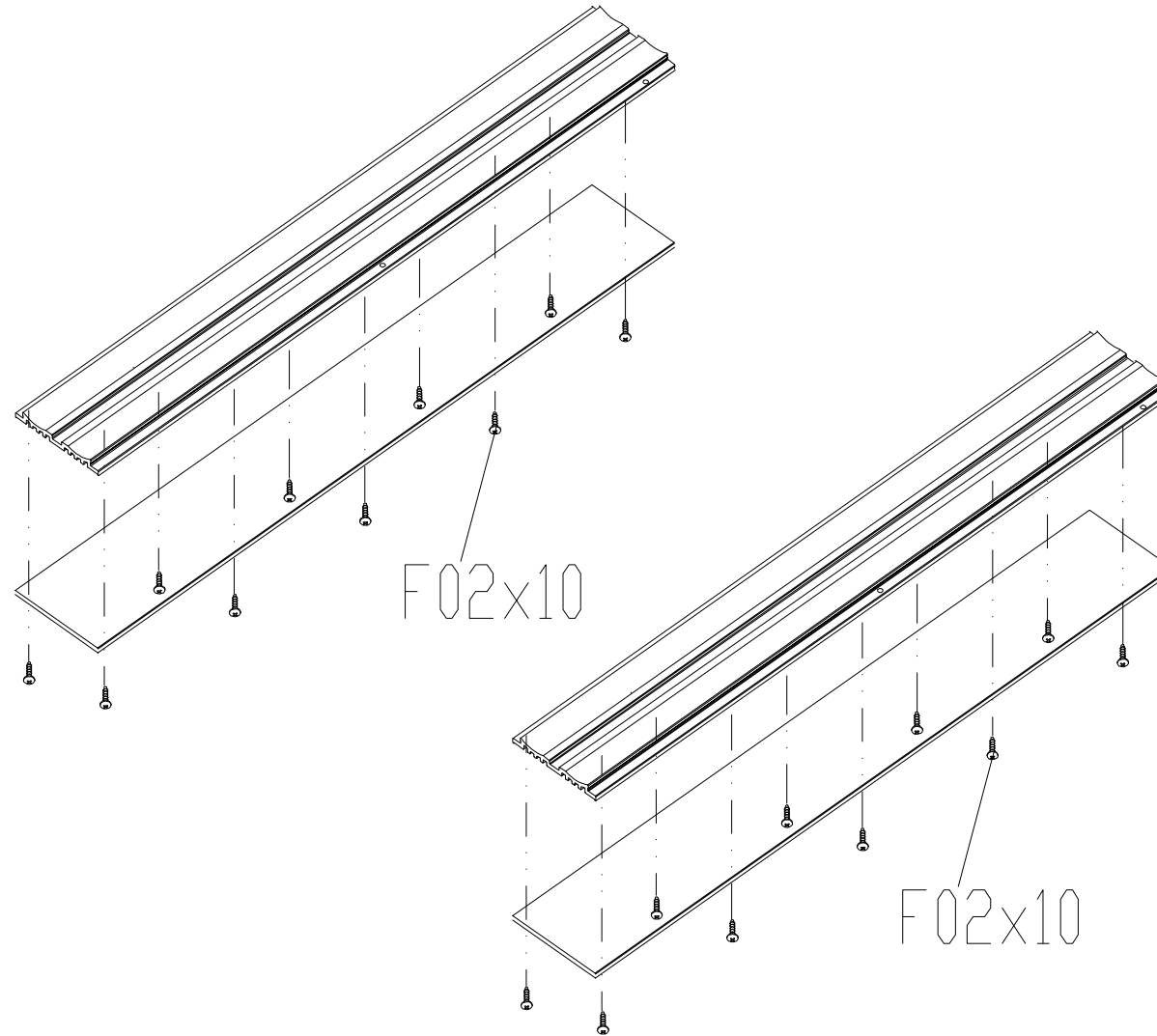
0000093667

TO TOP



0000094769

TO TOP



0000088012

TO TOP

