
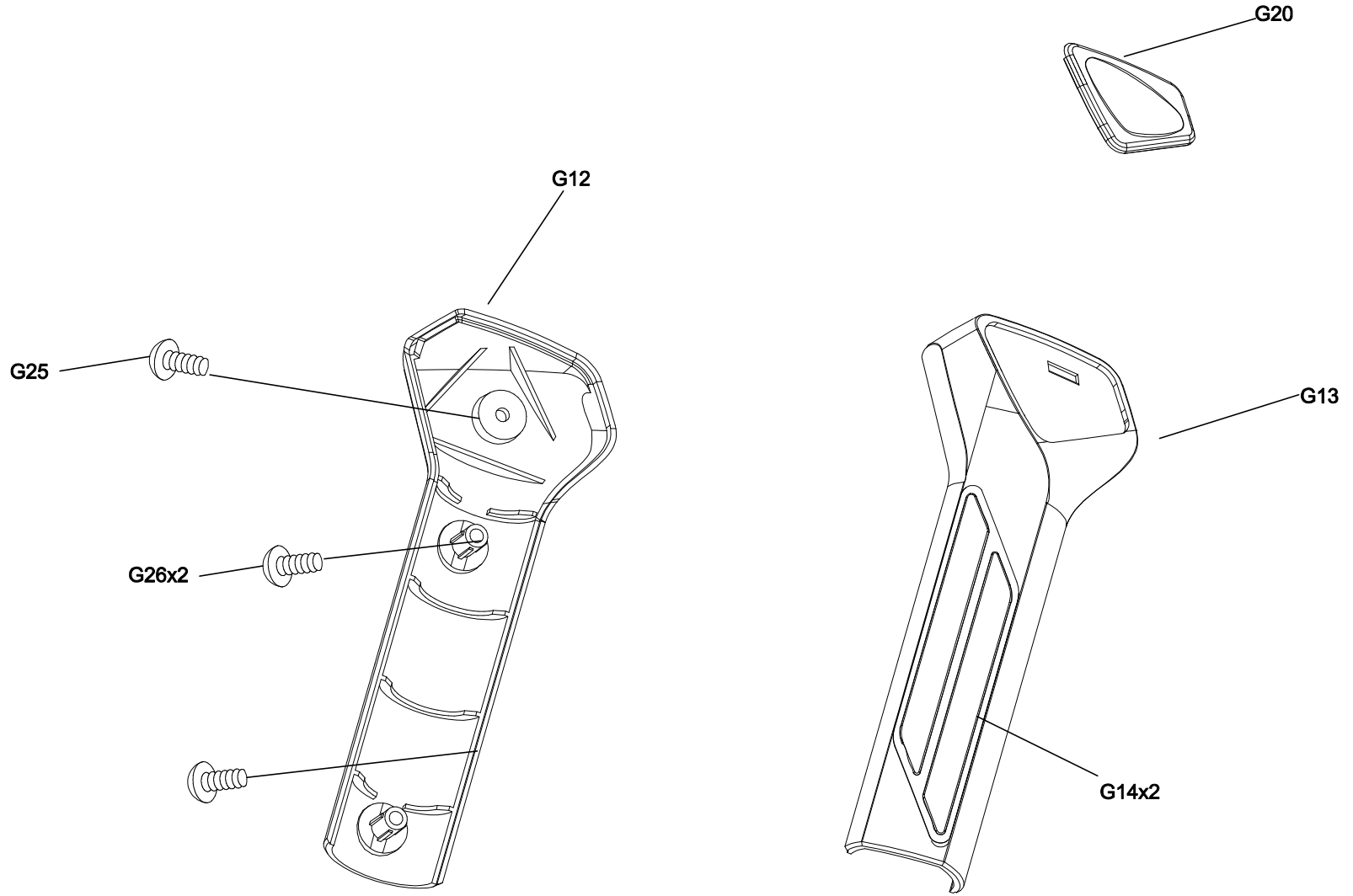
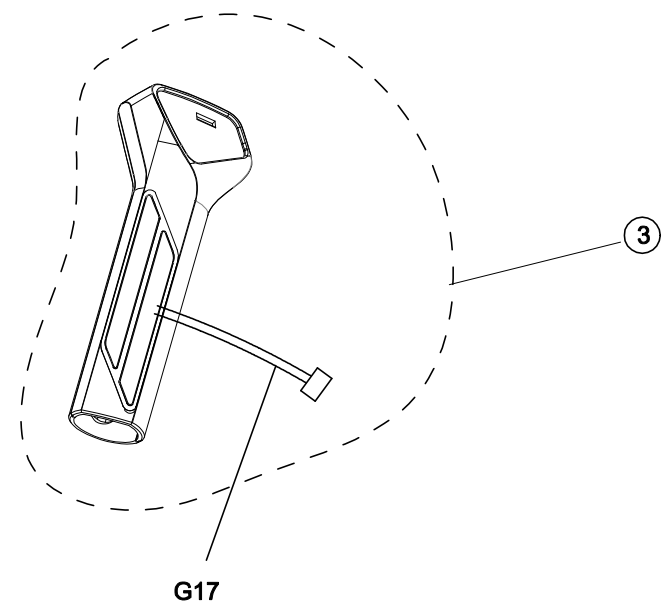
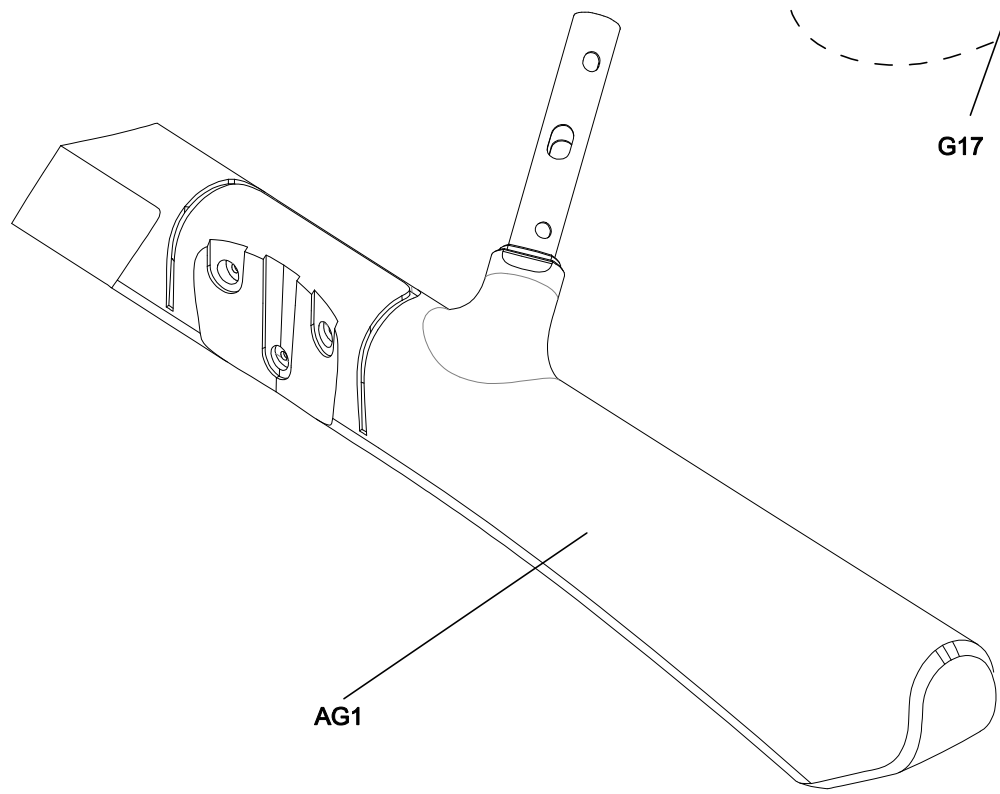




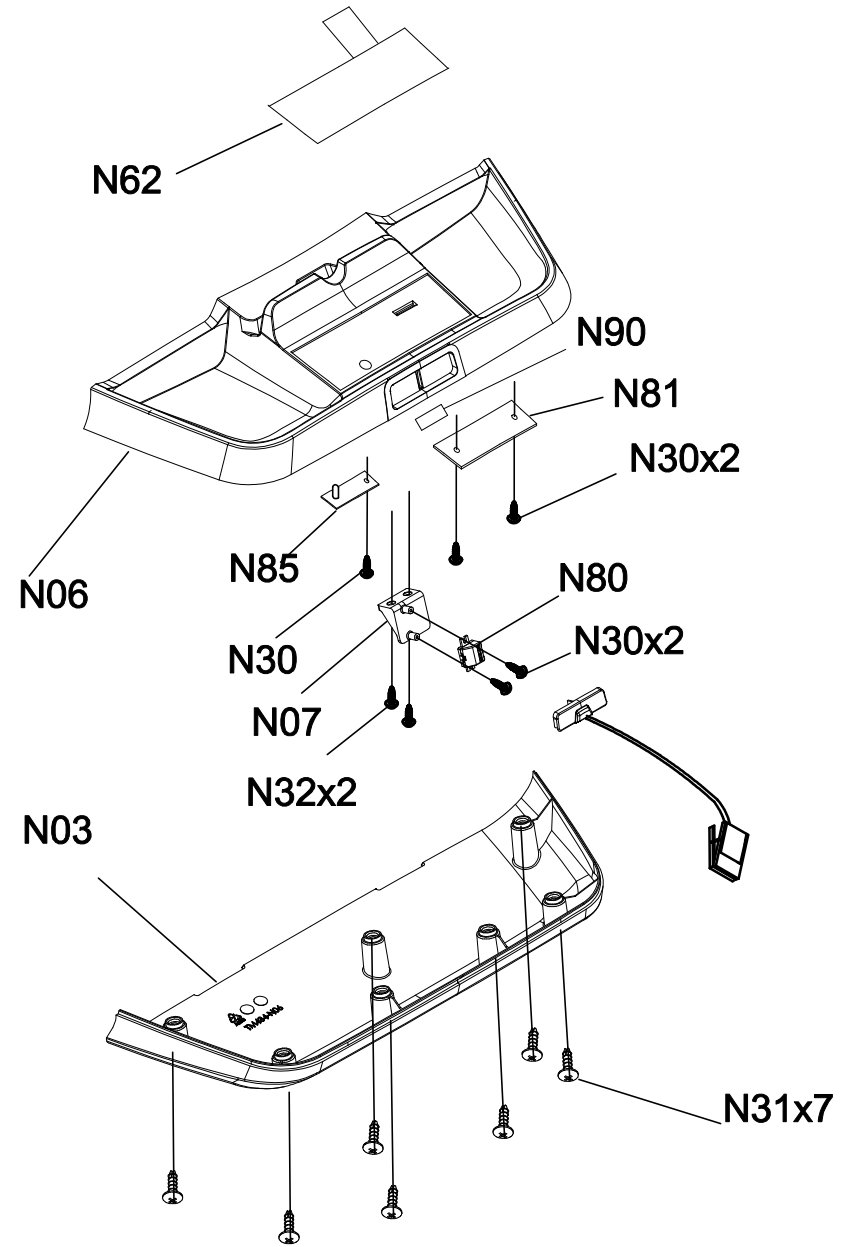
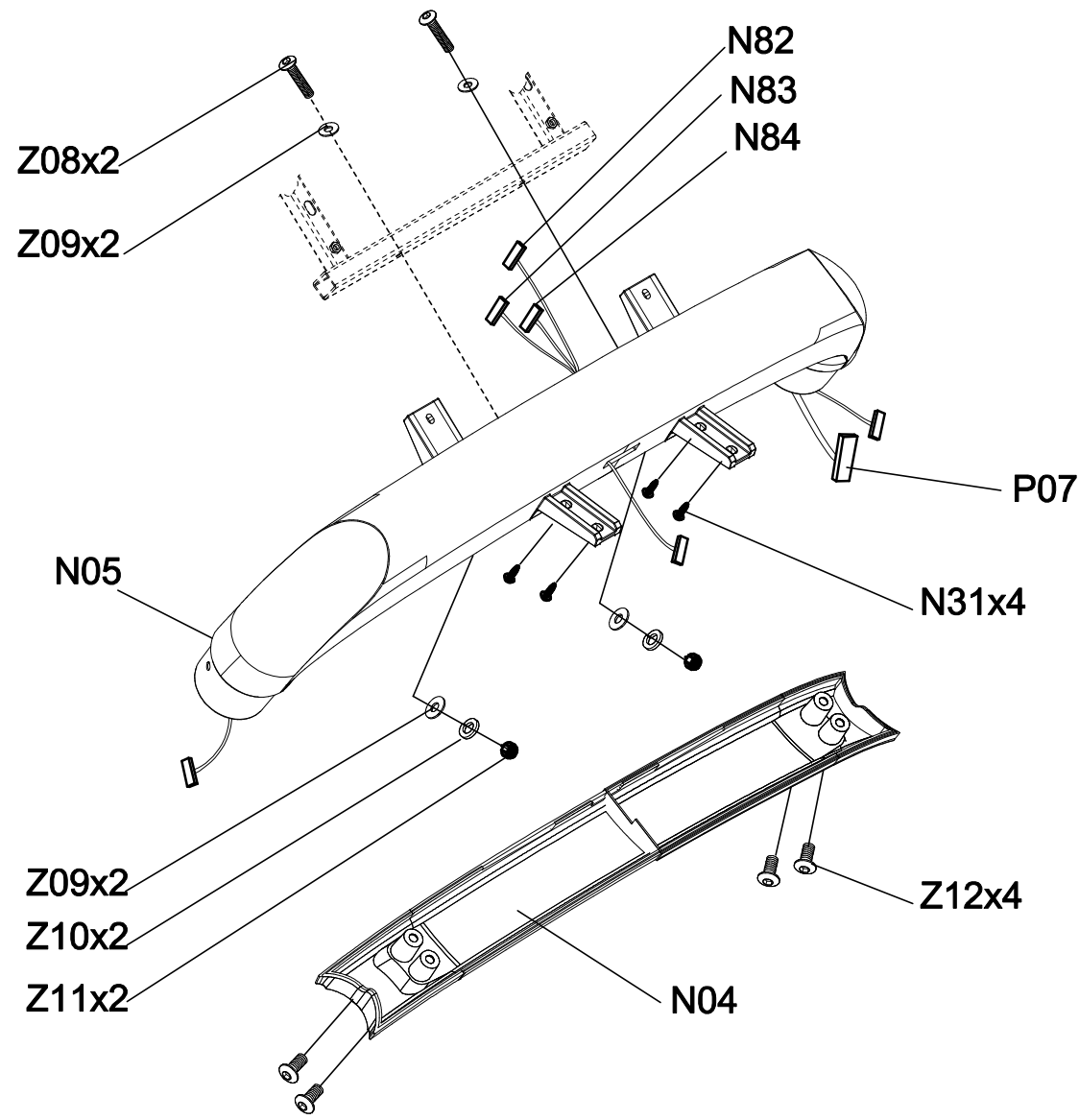
|            |            |   |          |
|------------|------------|---|----------|
| DRAWING NO | TM432-A13  |   |          |
| PART NAME  | Grip set;L |   |          |
| PART NO    | 1000230079 |  | A        |
| APPROVE    | Wangwp     | DATE  | 20140314 |



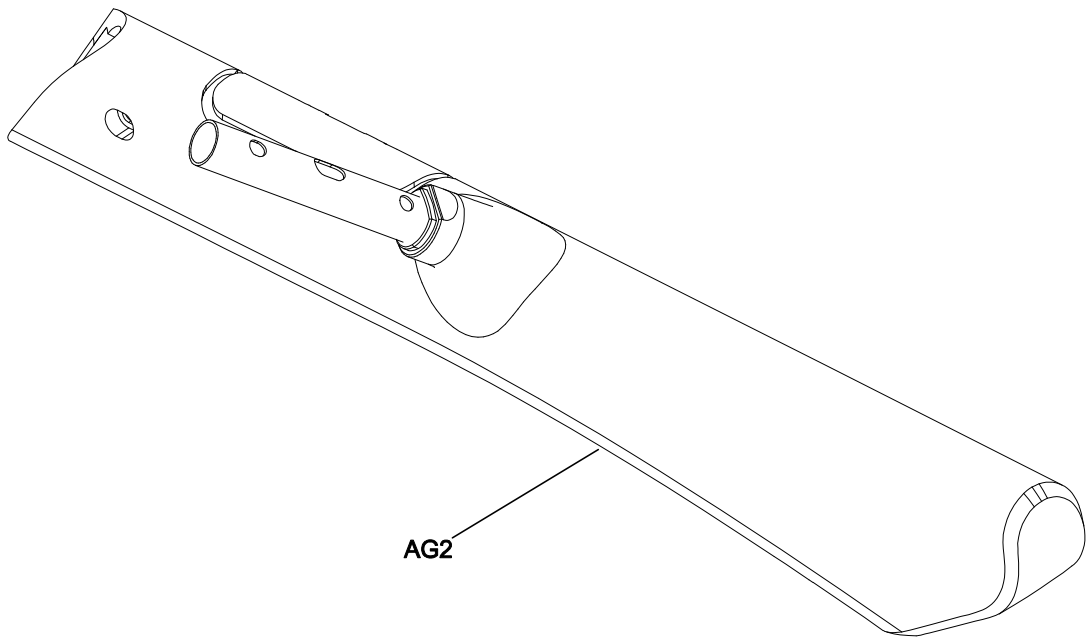
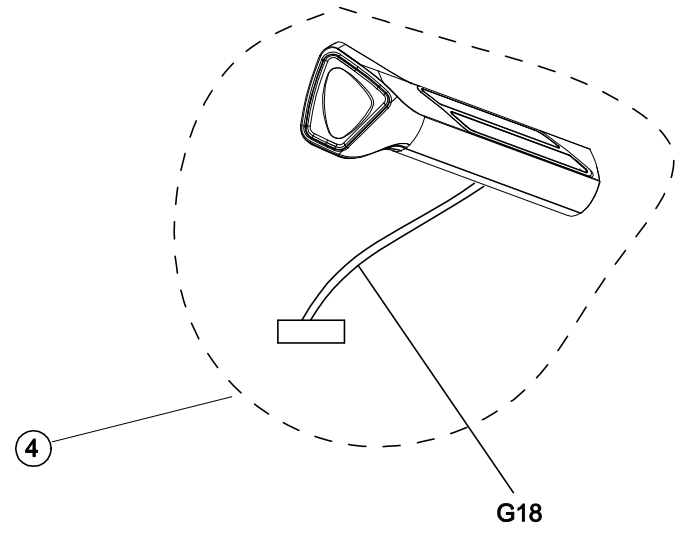
|            |                 |      |          |
|------------|-----------------|------|----------|
| DRAWING NO | TM432-A11       |      |          |
| PART NAME  | ARM REST SET ;L |      |          |
| PART NO    | 1000229637      | REV  | A        |
| APPROVE    | Wangwp          | DATE | 20140314 |



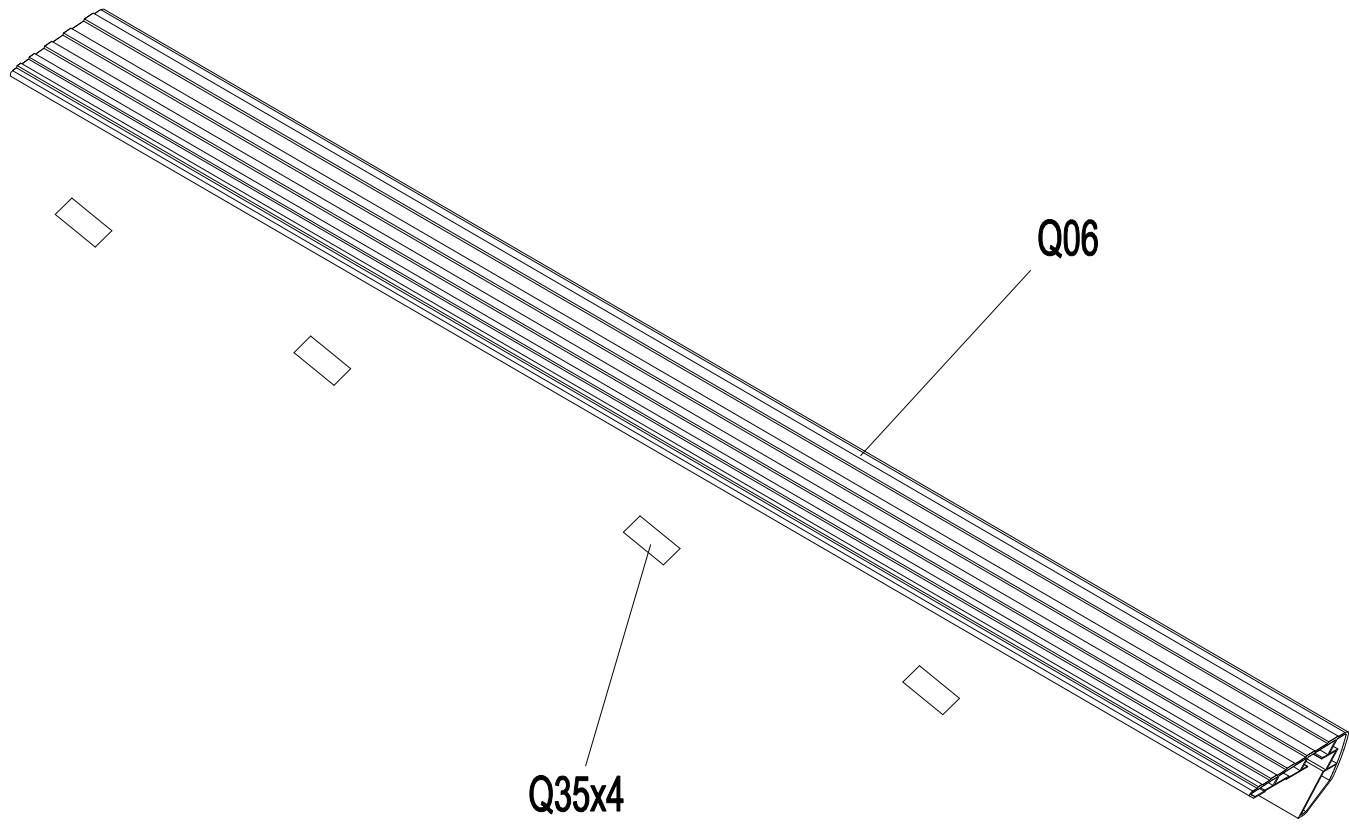
|            |                  |      |          |
|------------|------------------|------|----------|
| DRAWING NO | TM432-A15        |      |          |
| PART NAME  | Console Base Set |      |          |
| PART NO    | 1000229636       | REV  | A        |
| APPROVE    | JYH              | DATE | 20130810 |



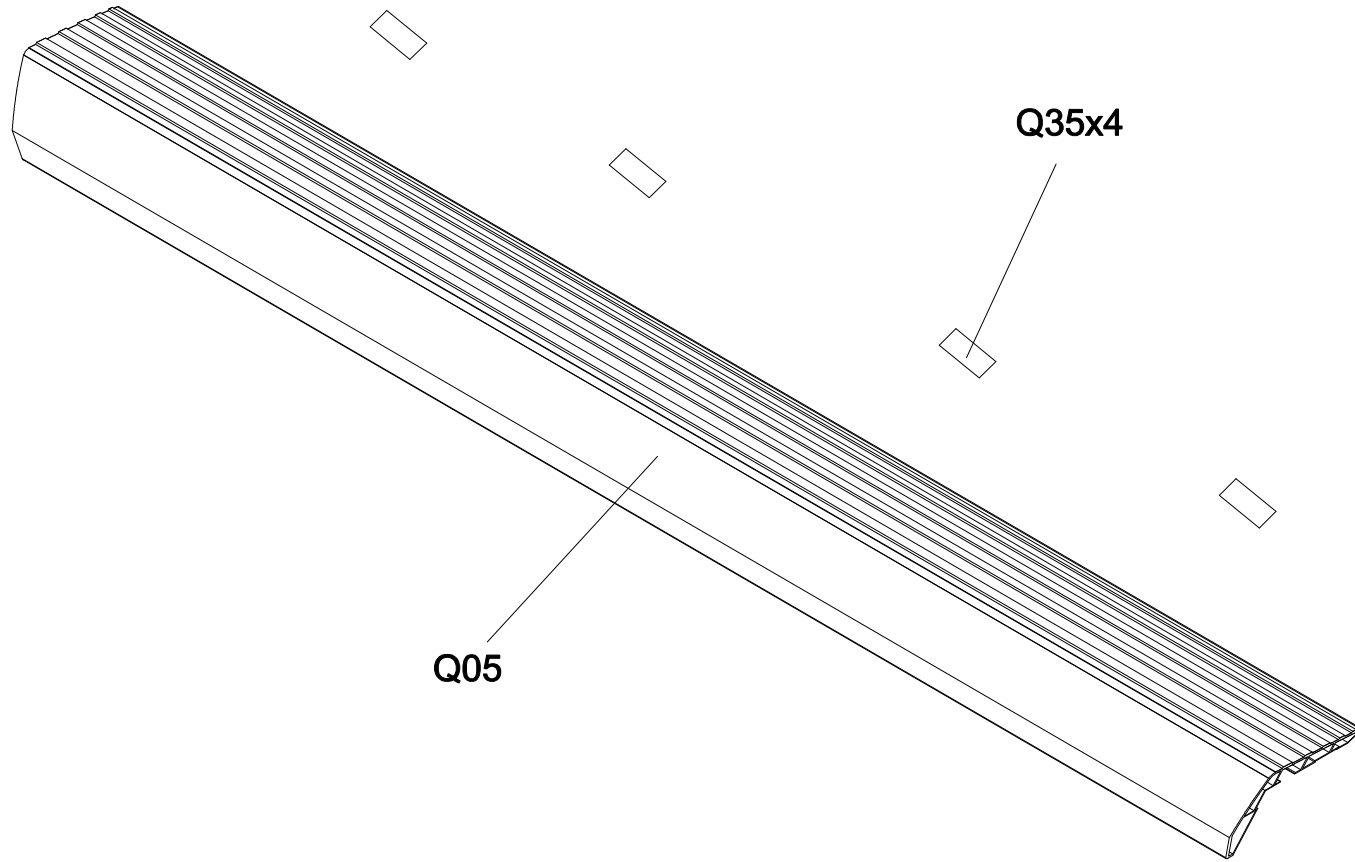
|            |                |        |          |
|------------|----------------|--------|----------|
| DRAWING NO | TM432-A12      |        |          |
| PART NAME  | ARM REST SET;R |        |          |
| PART NO    | 1000229635     | R<br>A |          |
| APPROVE    | Wangwp         | DATE   | 20140314 |



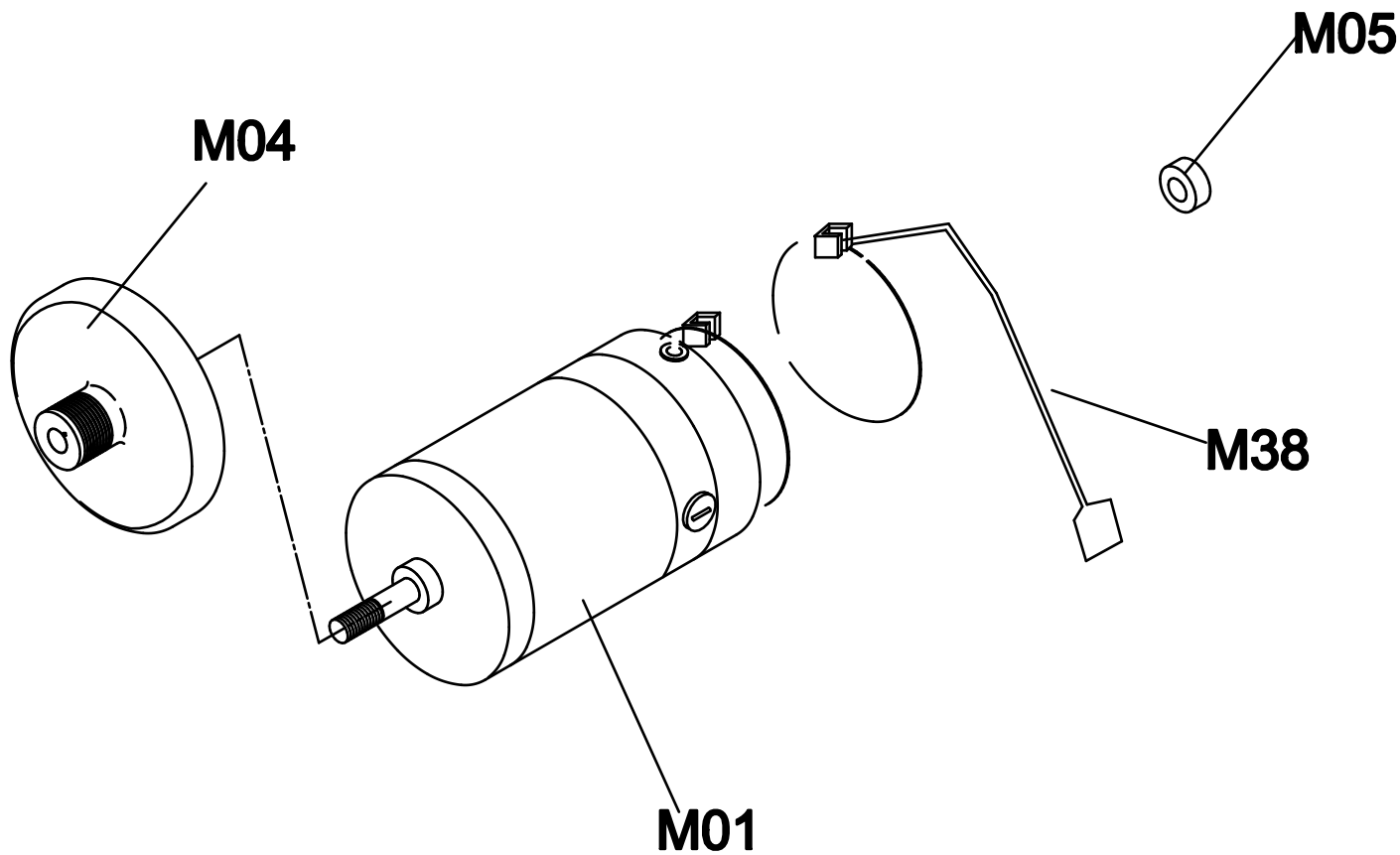
|            |                 |      |          |
|------------|-----------------|------|----------|
| DRAWING NO | TM432C-A18      |      |          |
| PART NAME  | Side rail R set |      |          |
| PART NO    | 1000345442      | REV  | A        |
| APPROVE    | Wangwp          | DATE | 20140317 |



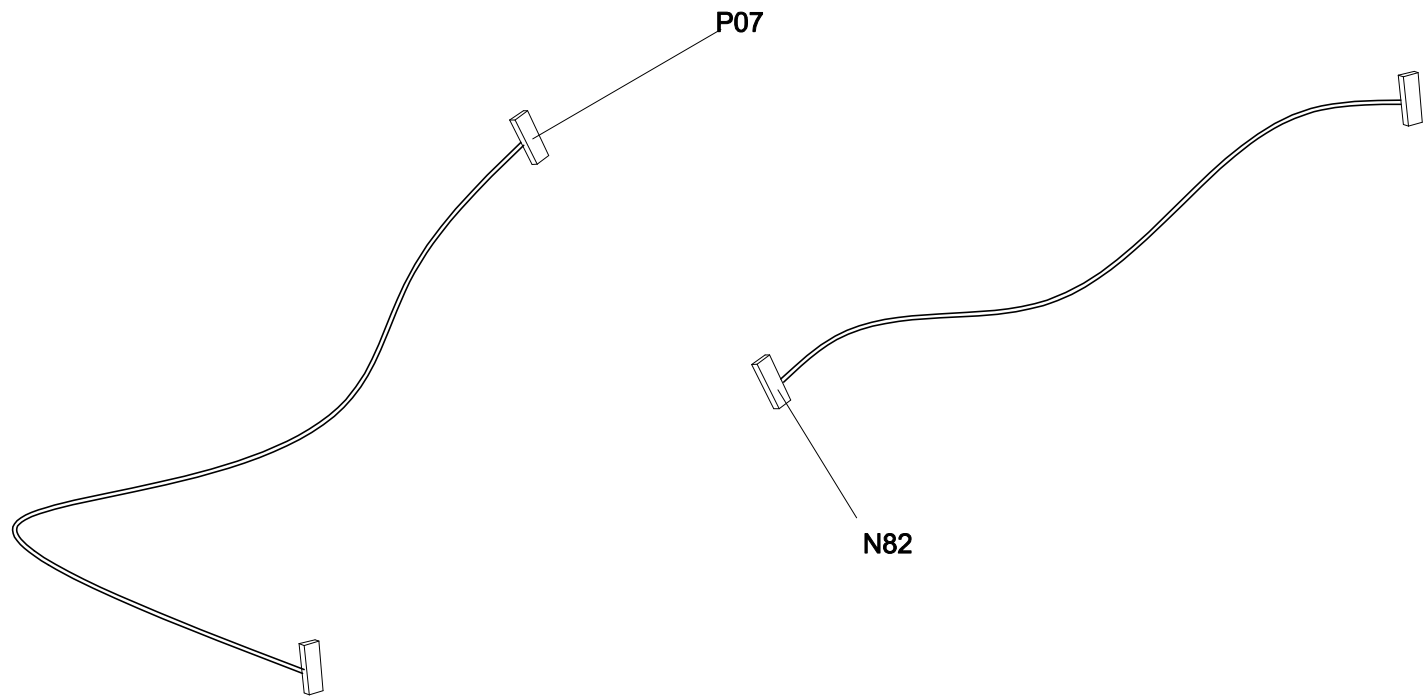
|            |                 |      |          |
|------------|-----------------|------|----------|
| DRAWING NO | TM432C-A17      |      |          |
| PART NAME  | Side rail L set |      |          |
| PART NO    | 1000345441      | REV  | A        |
| APPROVE    | Wangwp          | DATE | 20140314 |



|            |            |      |          |
|------------|------------|------|----------|
| DRAWING NO | TM432-A26  |      |          |
| PART NAME  | Motor Set  |      |          |
| PART NO    | 1000343632 |      | PA       |
| APPROVE    | Jiangyuhe  | DATE | 20140212 |



|            |                  |      |          |
|------------|------------------|------|----------|
| DRAWING NO | TM432-A22        |      |          |
| PART NAME  | Console Wire Set |      |          |
| PART NO    | 1000324064       | REV  | A        |
| APPROVE    | Wangwp           | DATE | 20140317 |



|            |              |             |          |
|------------|--------------|-------------|----------|
| DRAWING NO | TM432-A14    |             |          |
| PART NAME  | Grip Set; R  |             |          |
| PART NO    | 1000230080   | R<br>↓<br>B | B        |
| APPROVE    | yangjianning | DATE        | 20141006 |

