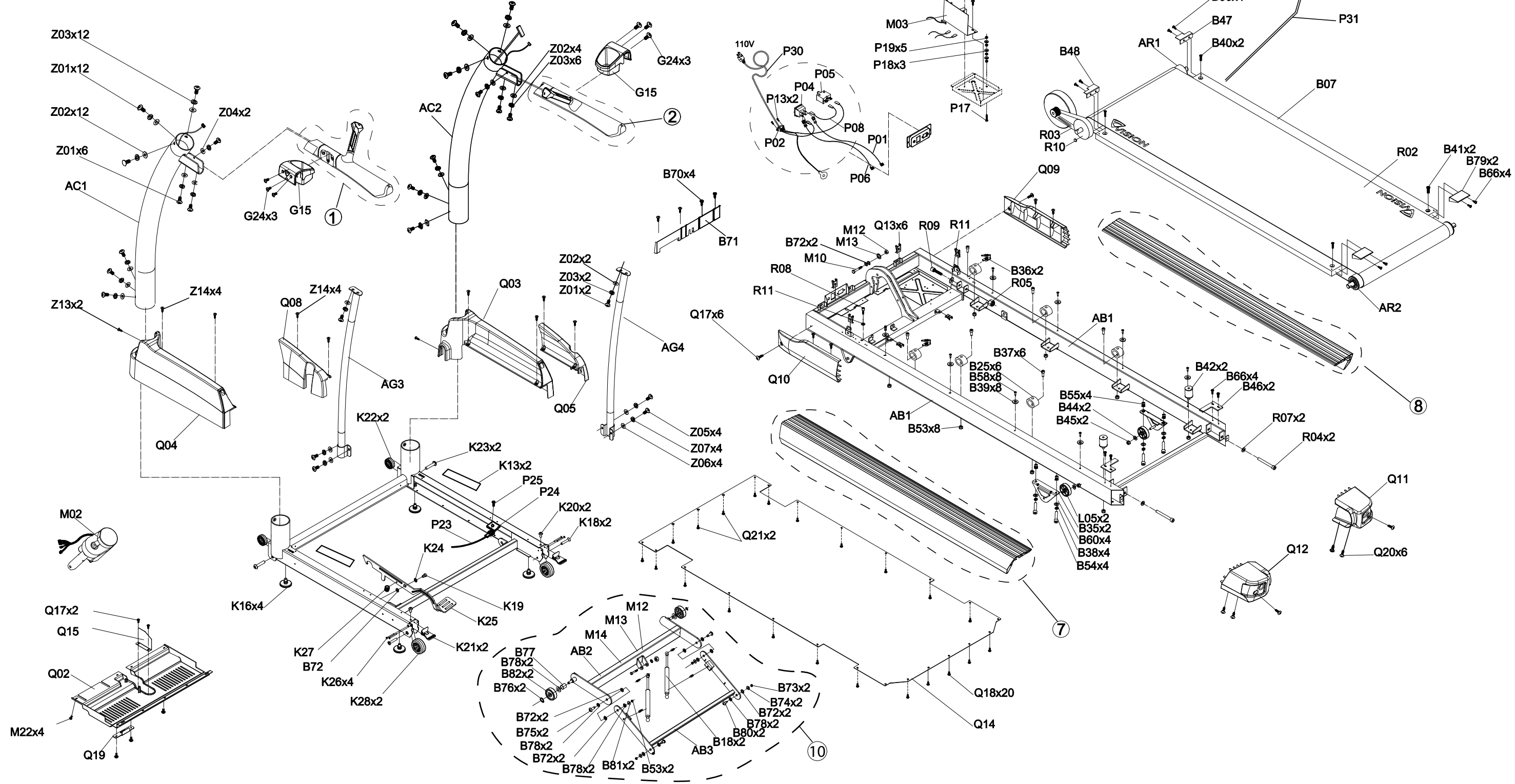
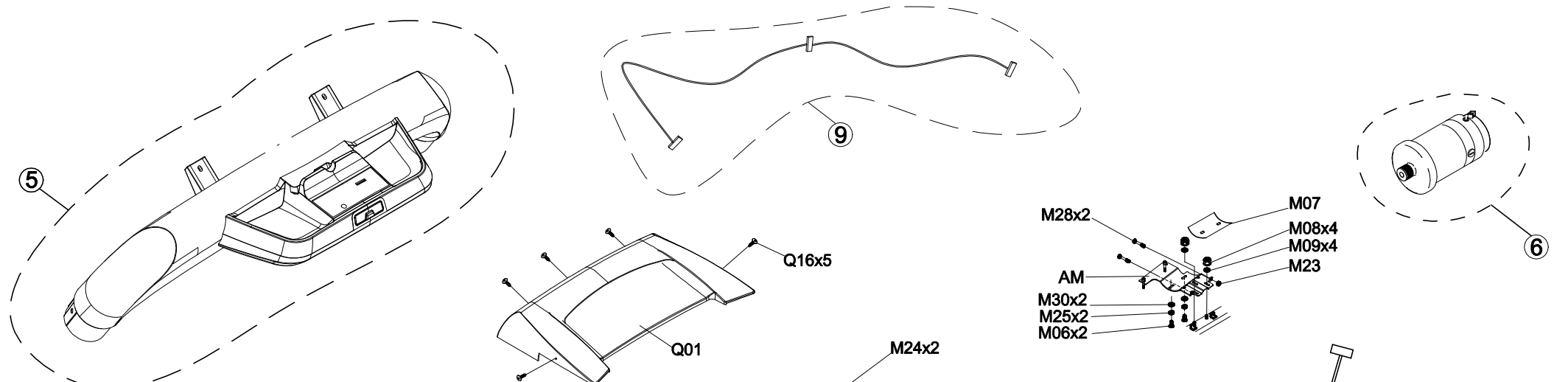
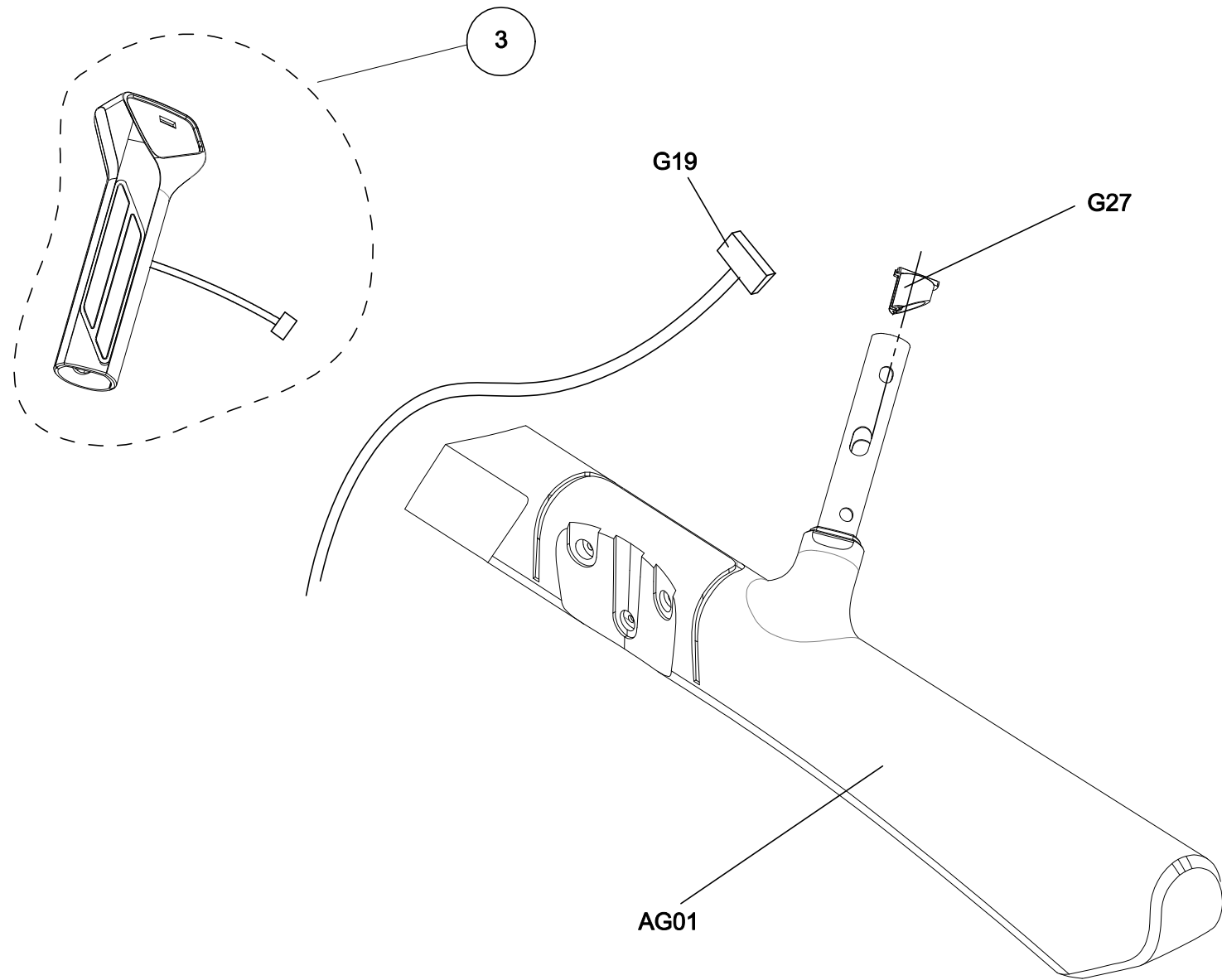


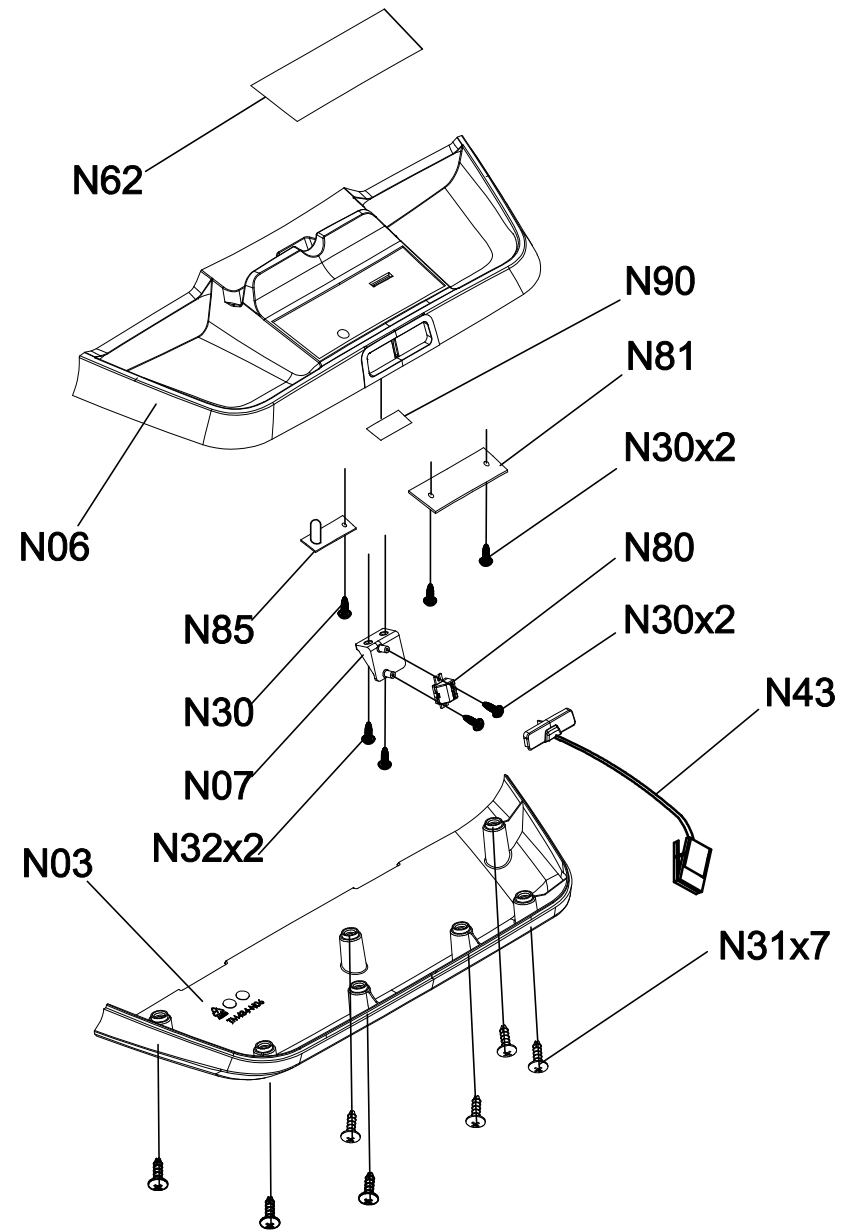
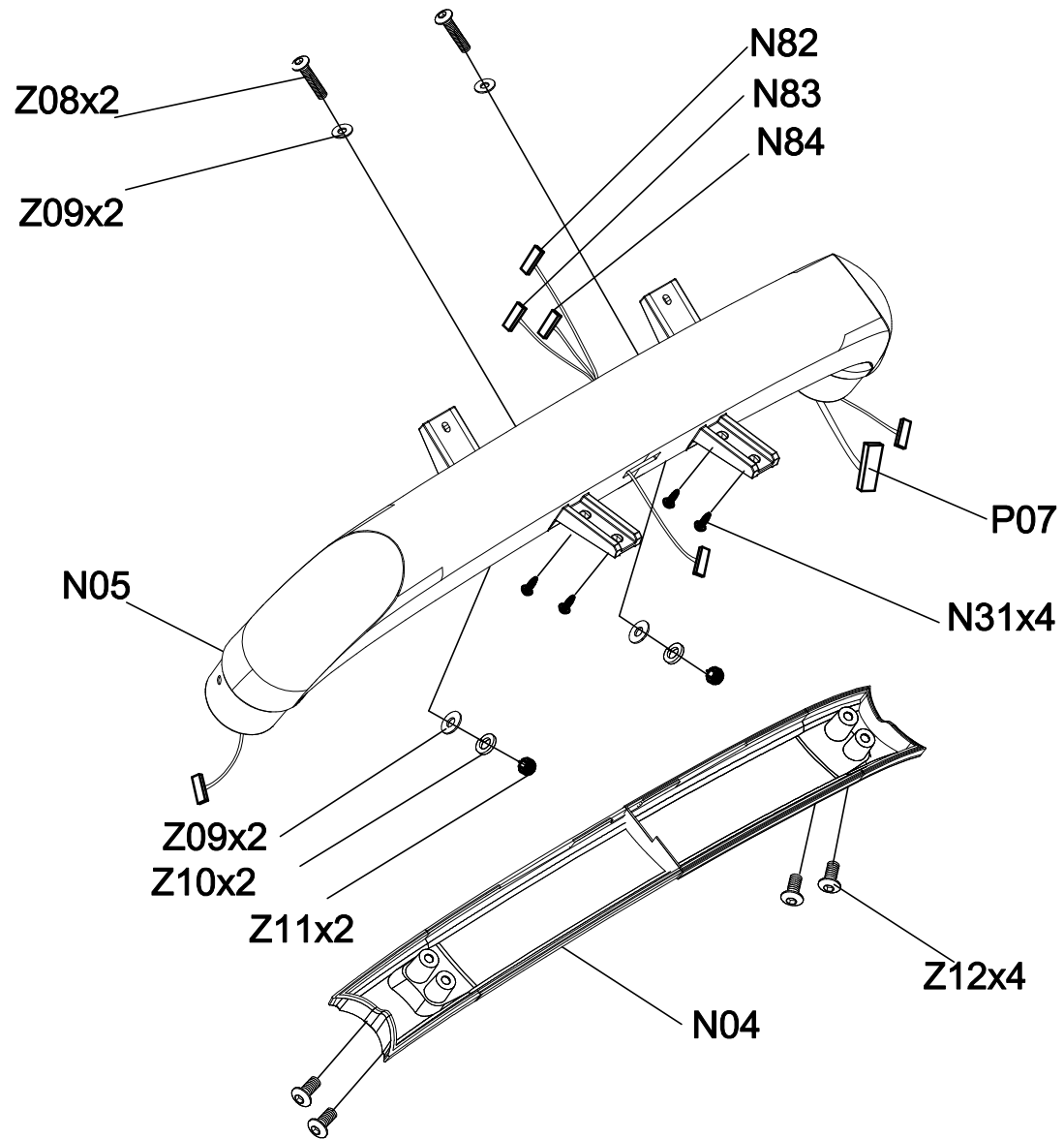
| | | | |
|------------|---------------------|------|----------|
| DRAWING NO | PTM434C-1US-F | | |
| PART NAME | Explosive Rendering | | |
| PART NO | VTM0958-00 | REV | C |
| APPROVE | Luchuang | DATE | 20140915 |



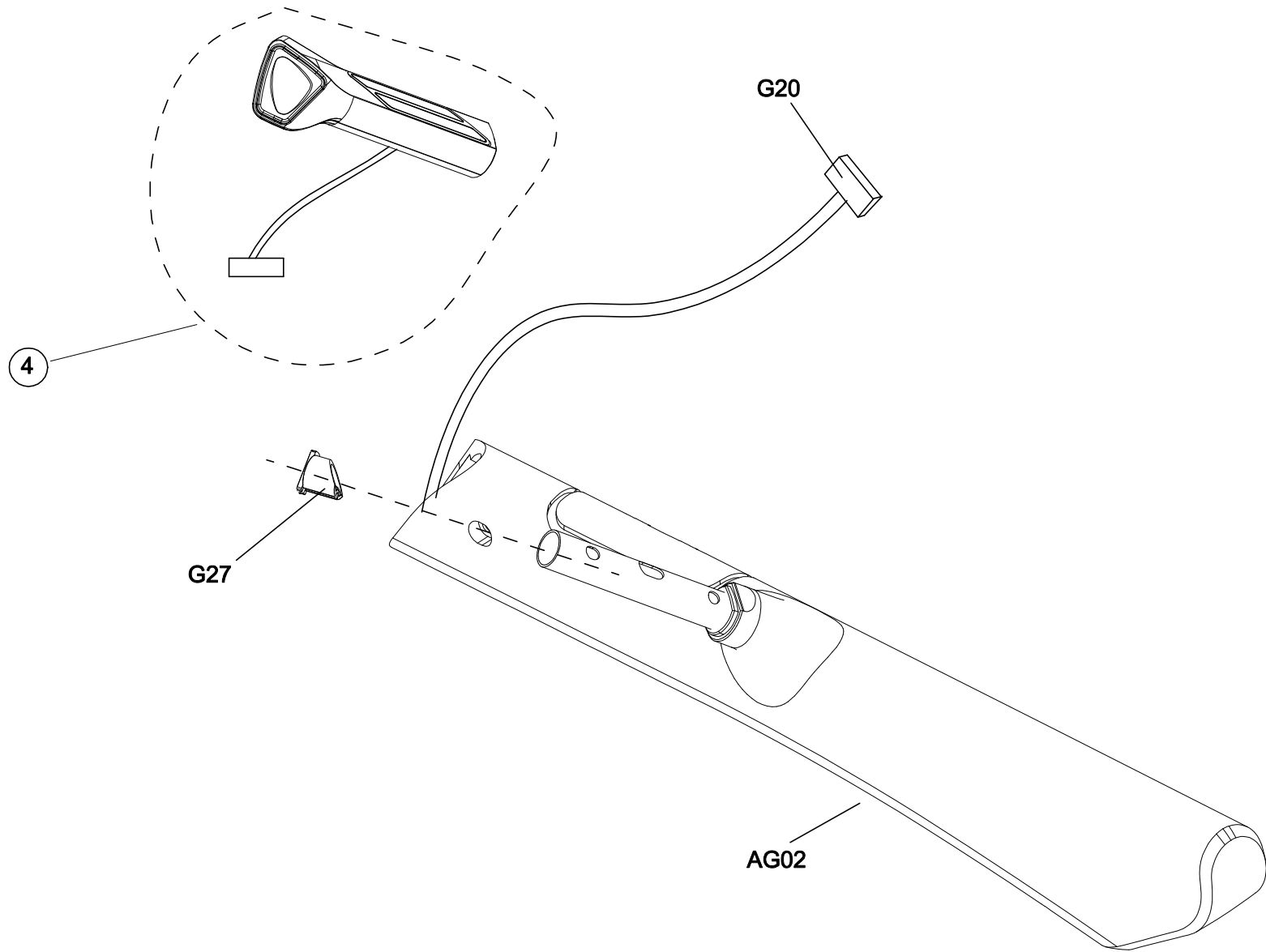
| | | | |
|------------|-----------------|------|----------|
| DRAWING NO | TM434-A11 | | |
| PART NAME | ARM REST SET;L; | | |
| PART NO | 1000230075 | REV | A |
| APPROVE | Wangwp | DATE | 20140314 |



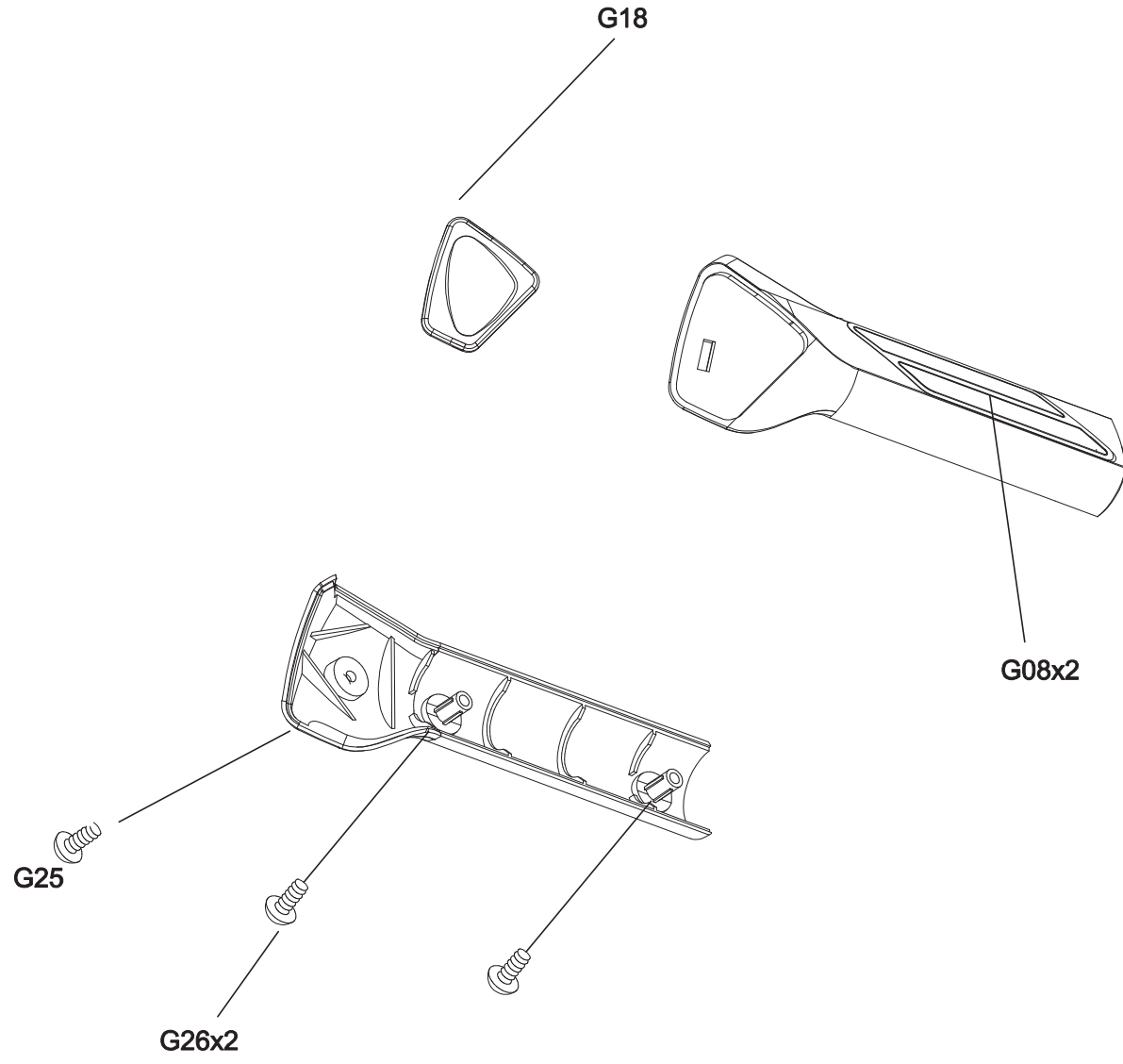
| | | | |
|------------|------------------|------|----------|
| DRAWING NO | TM434-A15 | | |
| PART NAME | CONSOLE BASE SET | | |
| PART NO | 1000230074 | REV | A |
| APPROVE | Wangwp | DATE | 20140314 |



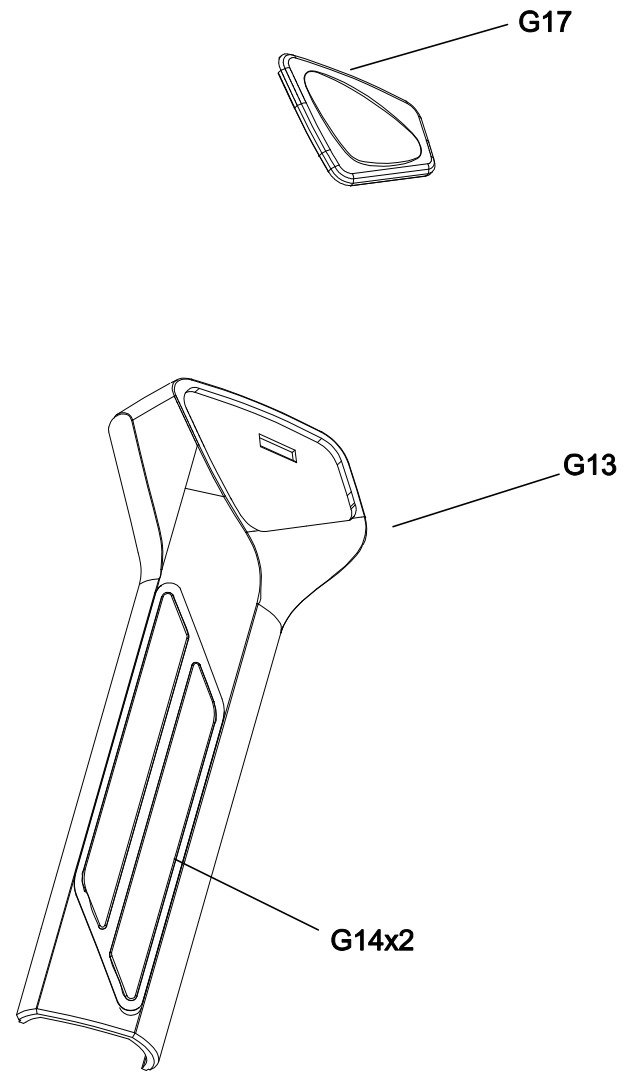
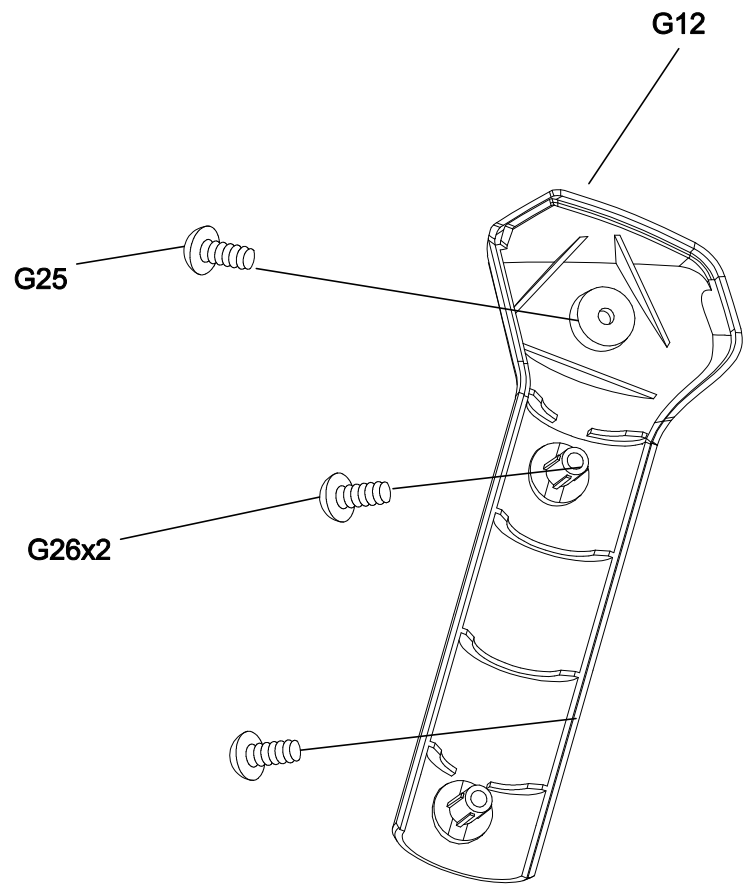
| | | | |
|------------|------------------|------|----------|
| DRAWING NO | TM434-A12 | | |
| PART NAME | ARM REST SET ;R; | | |
| PART NO | 1000230073 | REV | A |
| APPROVE | Wangwp | DATE | 20140314 |



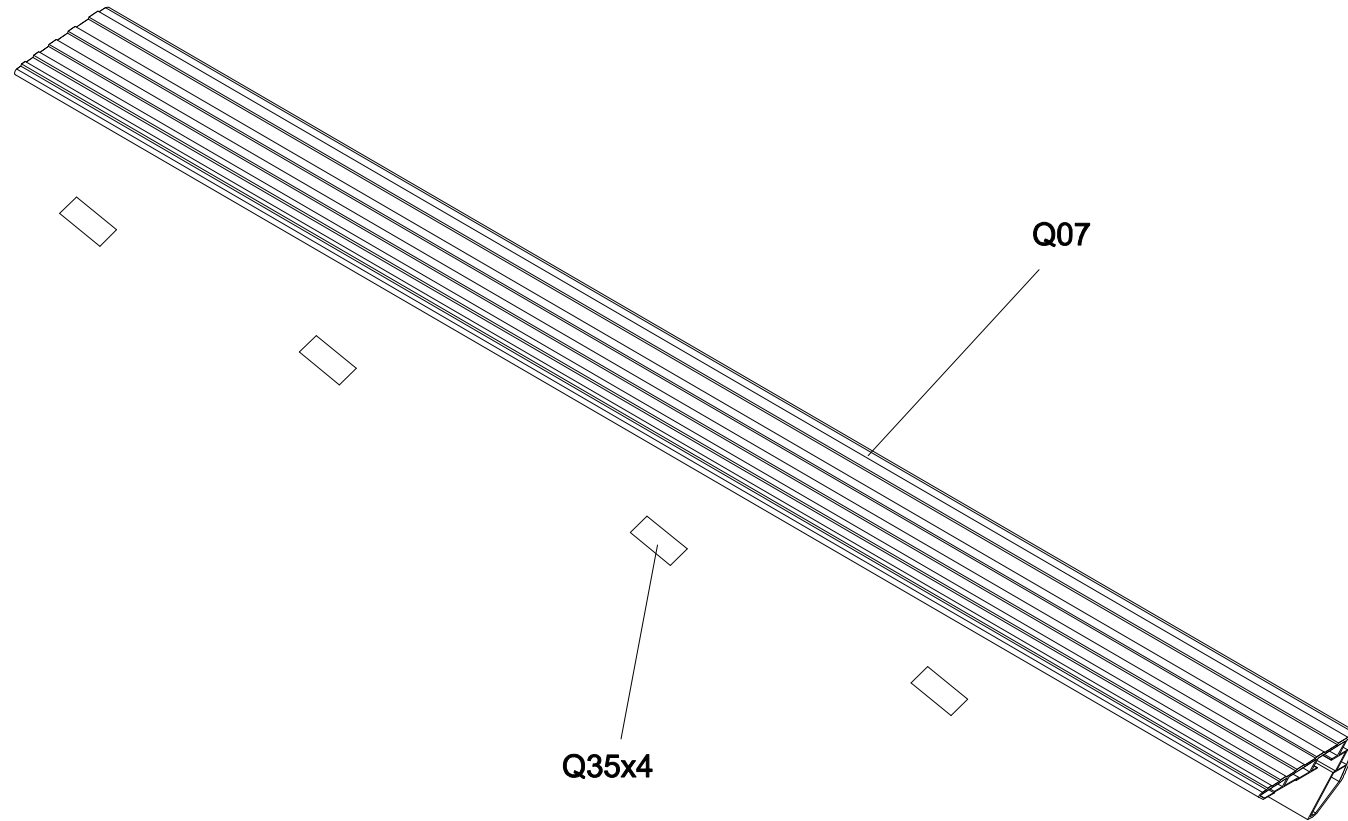
| | | | |
|------------|--------------|------|----------|
| DRAWING NO | TM434-A14 | | |
| PART NAME | GRIP SET ;R; | | |
| PART NO | 1000229641 | REV | A |
| APPROVE | Wangwp | DATE | 20140314 |



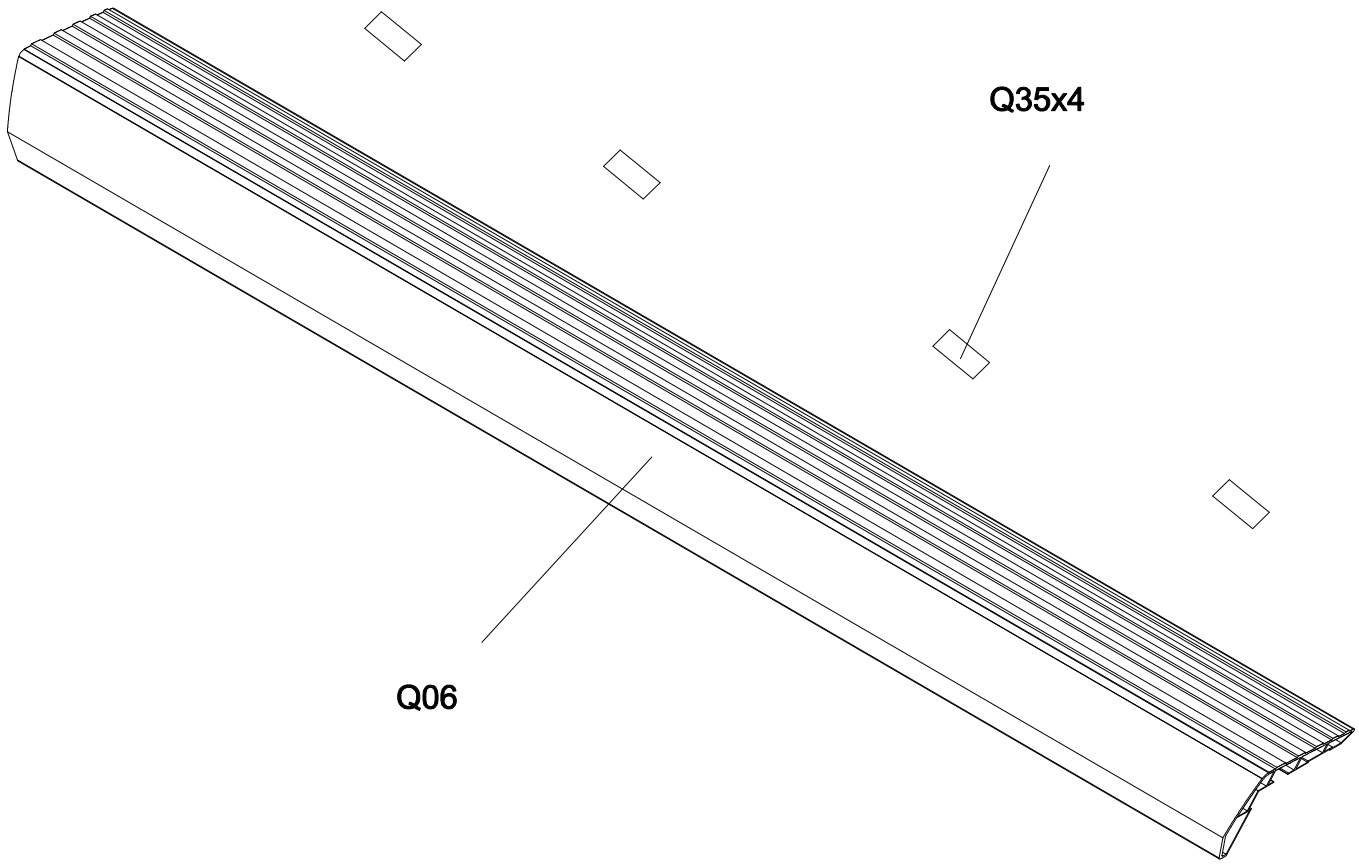
| | | | |
|------------|-------------|------|----------|
| DRAWING NO | TM434-A13 | | |
| PART NAME | GRIP SET;L; | | |
| PART NO | 1000229640 | REV | A |
| APPROVE | Wangwp | DATE | 20140314 |



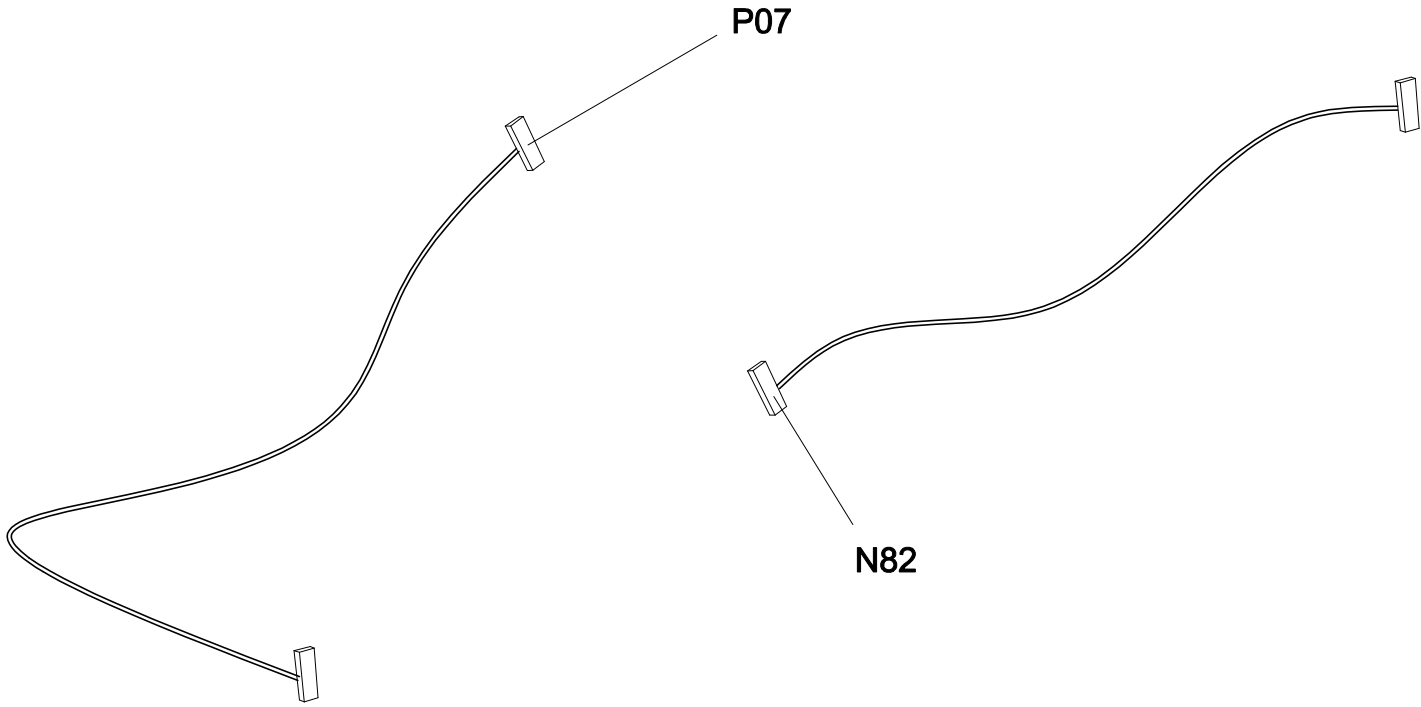
| | | | |
|------------|------------------|------|----------|
| DRAWING NO | TM434C-A18 | | |
| PART NAME | SIDE RAIL SET;R; | | |
| PART NO | 1000345438 | REV | A |
| APPROVE | Wangwp | DATE | 20140317 |



| | | | |
|------------|-----------------|------|----------|
| DRAWING NO | TM434C-A17 | | |
| PART NAME | Side Rail Set;L | | |
| PART NO | 1000345437 | REV | A |
| APPROVE | Wangwp | DATE | 20140317 |



| | | | |
|------------|------------------|------|----------|
| DRAWING NO | TM434-A30 | | |
| PART NAME | Console Wire Set | | |
| PART NO | 1000324075 | REV | A |
| APPROVE | Wangwp | DATE | 20140314 |



| | | | |
|------------|------------|------|----------|
| DRAWING NO | TM434-A16 | | |
| PART NAME | Motor Set | | |
| PART NO | 1000230076 | REV | A |
| APPROVE | Wangwp | DATE | 20140314 |

