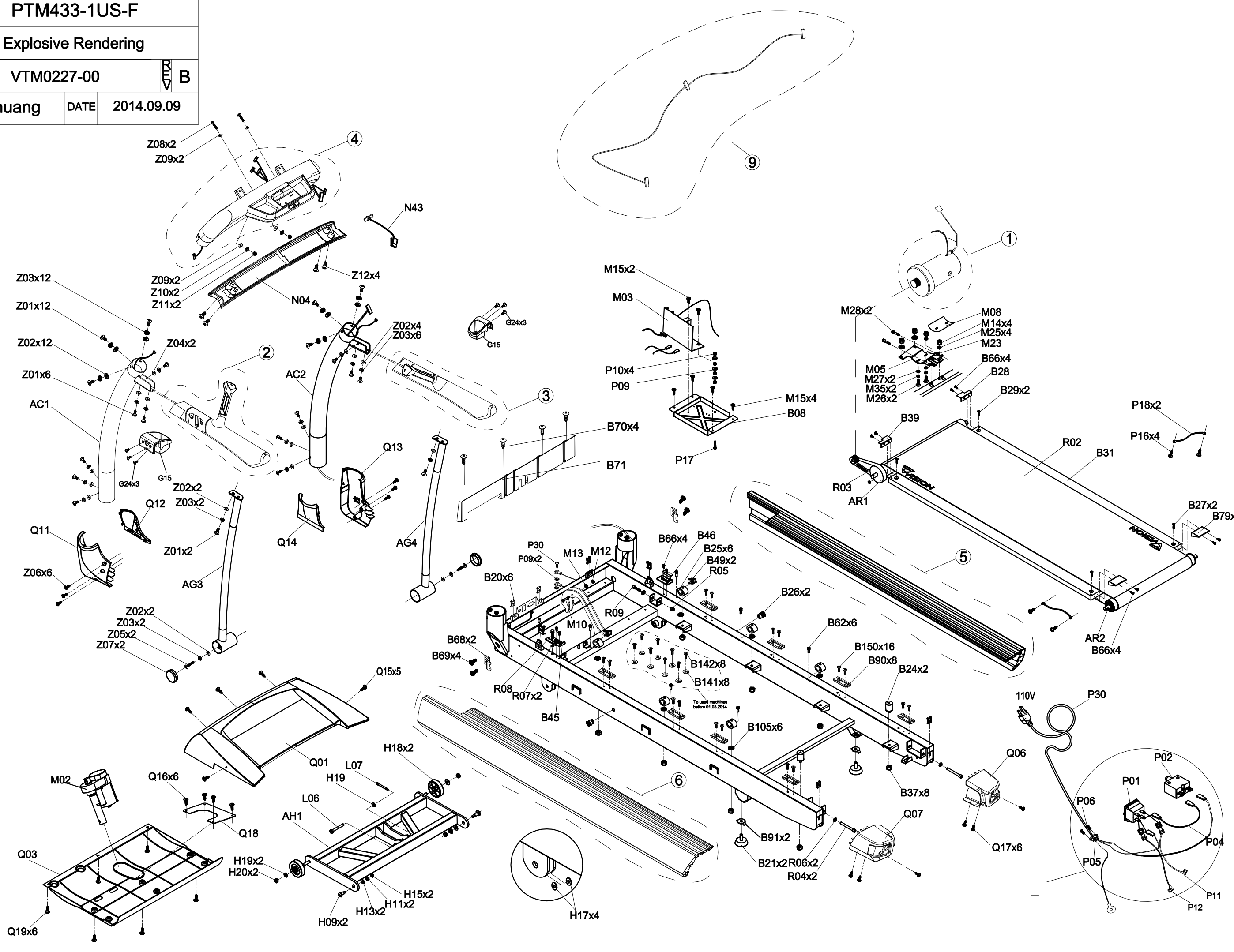
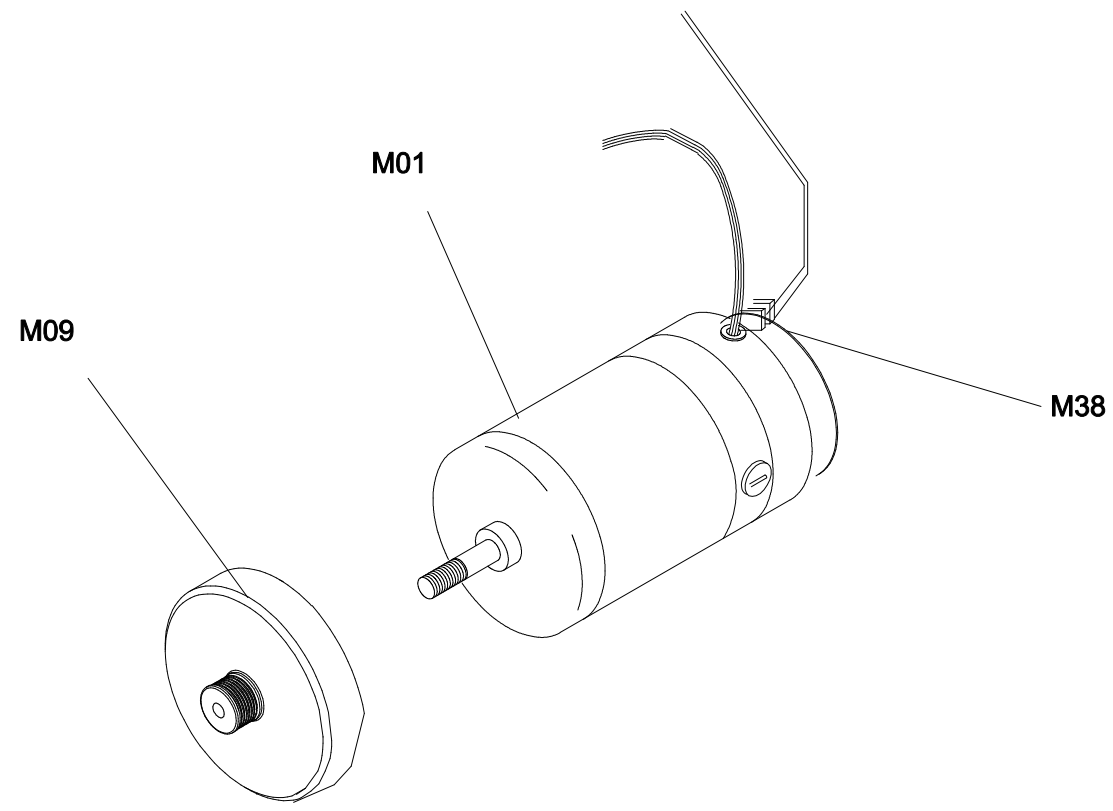


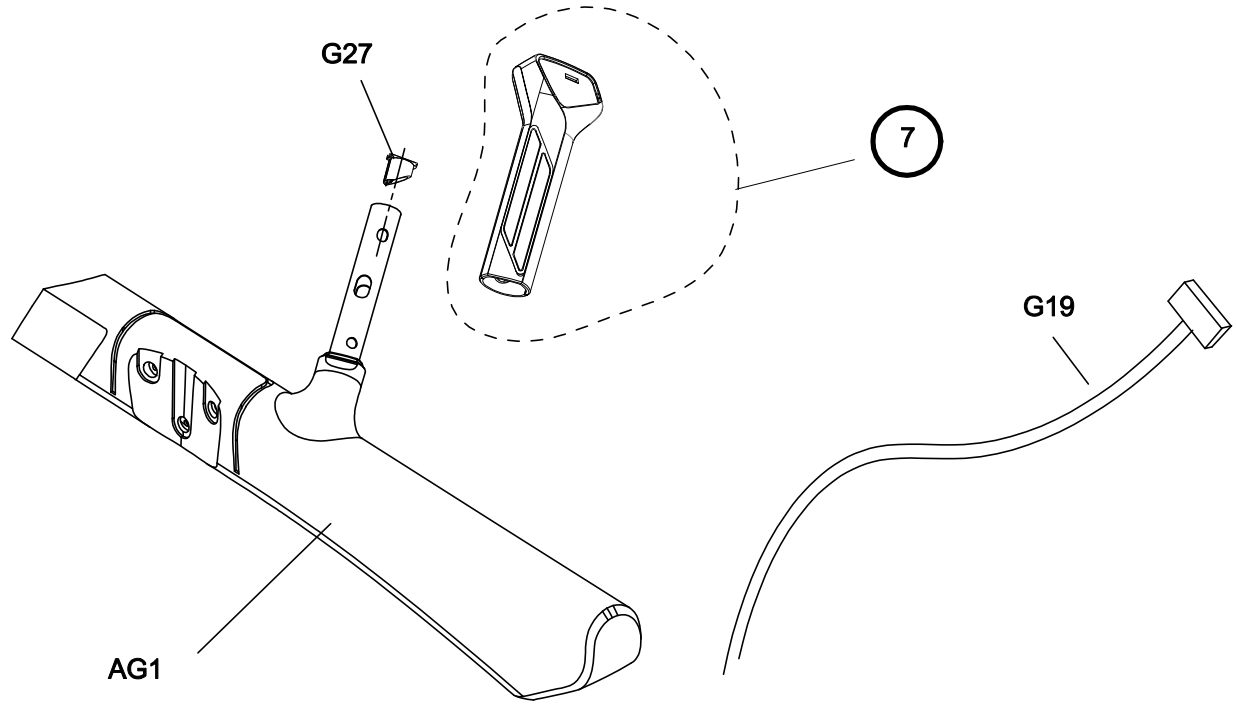
DRAWING NO	PTM433-1US-F		
PART NAME	Explosive Rendering		
PART NO	VTM0227-00	REV	B
APPROVE	Luchuang	DATE	2014.09.09



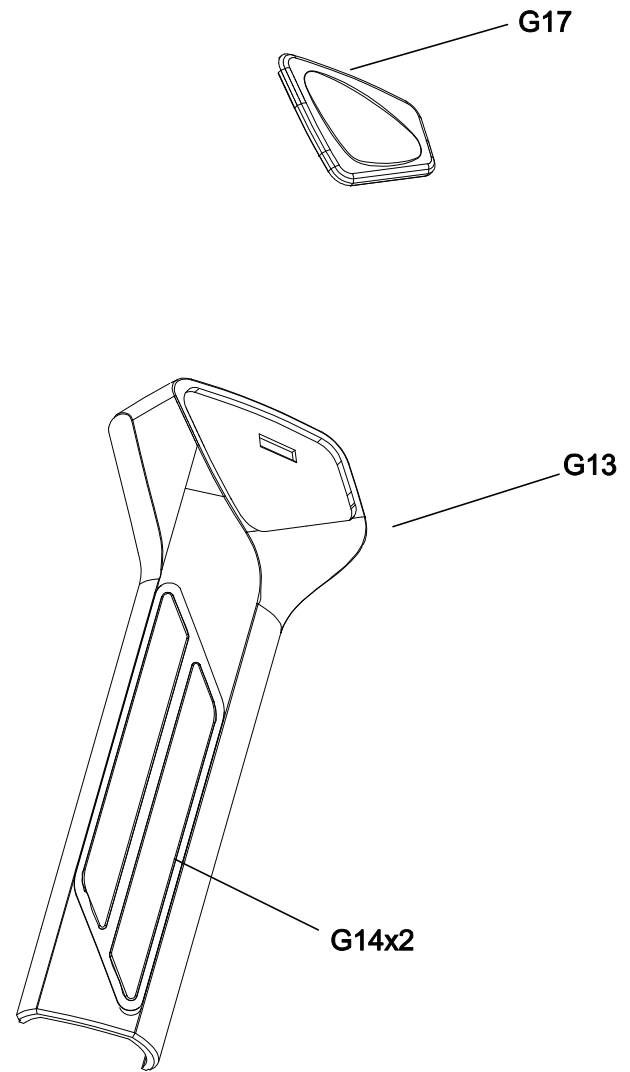
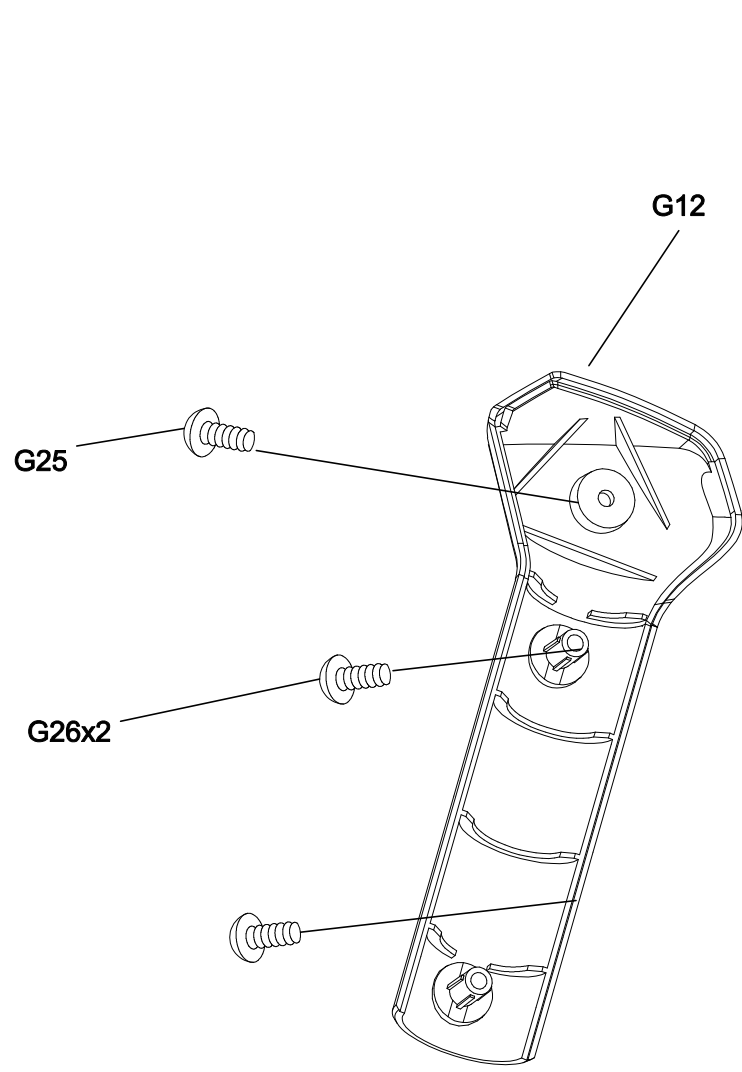
DRAWING NO	TM433-A11		
PART NAME	Motor set		
PART NO	1000230893	REV A	
APPROVE	Wangwp		DATE



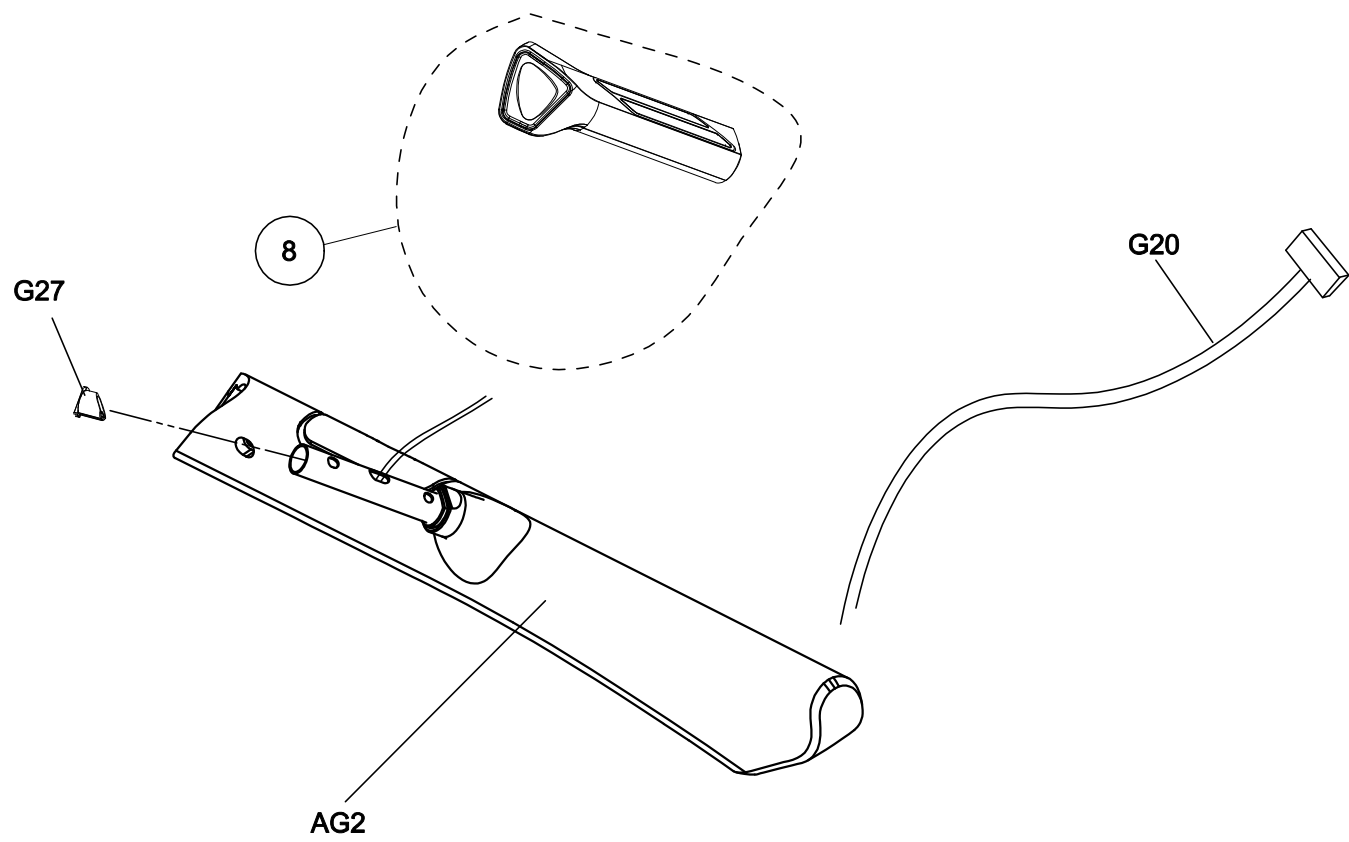
DRAWING NO	TM433-A12		
PART NAME	ARM REST SET;L		
PART NO	1000230895	REV	A
APPROVE	Wangwp	DATE	2014.03.14



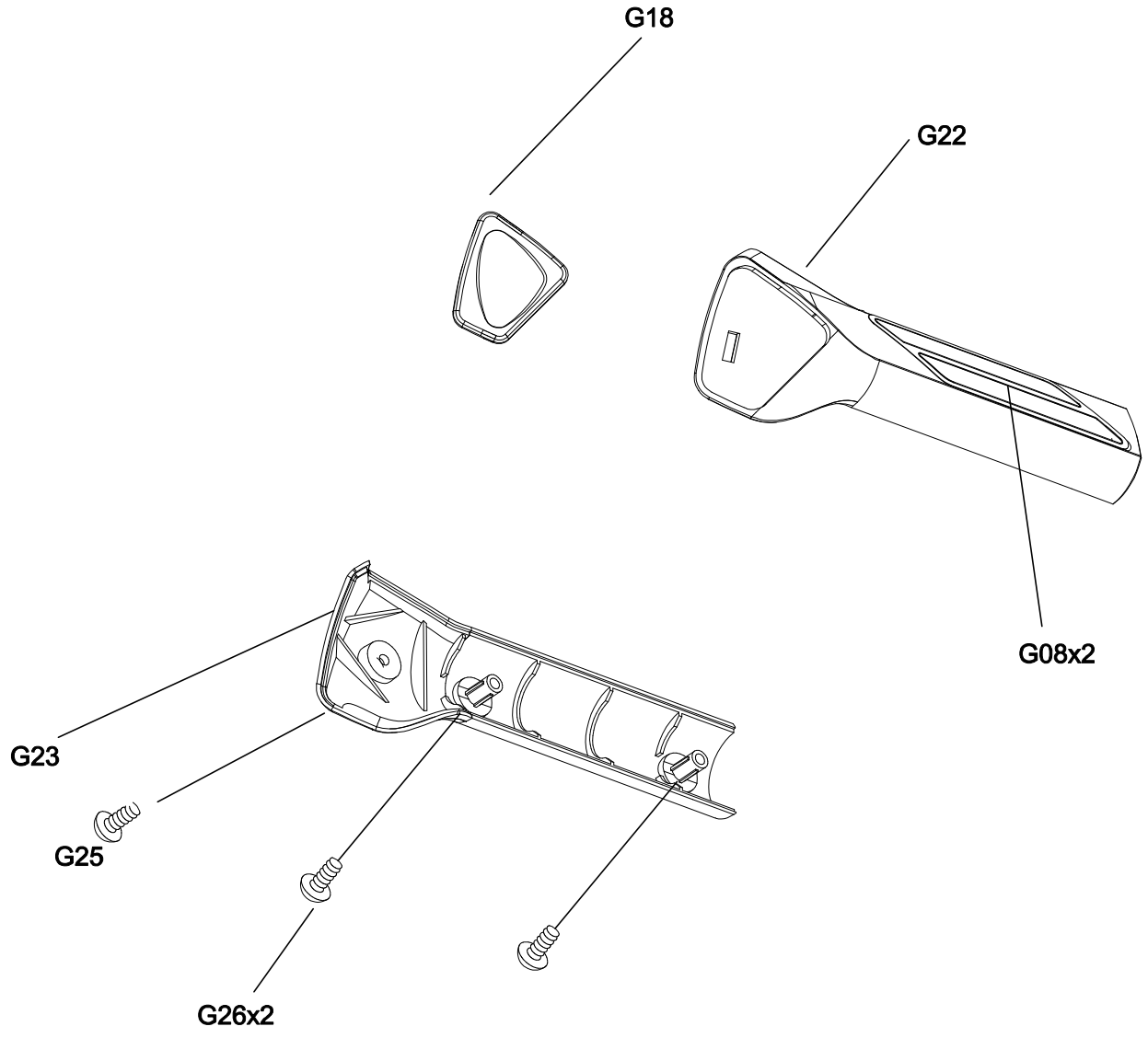
DRAWING NO	TM434-A13		
PART NAME	GRIP SET;L;		
PART NO	1000229640	REV	A
APPROVE	Wangwp	DATE	20140314



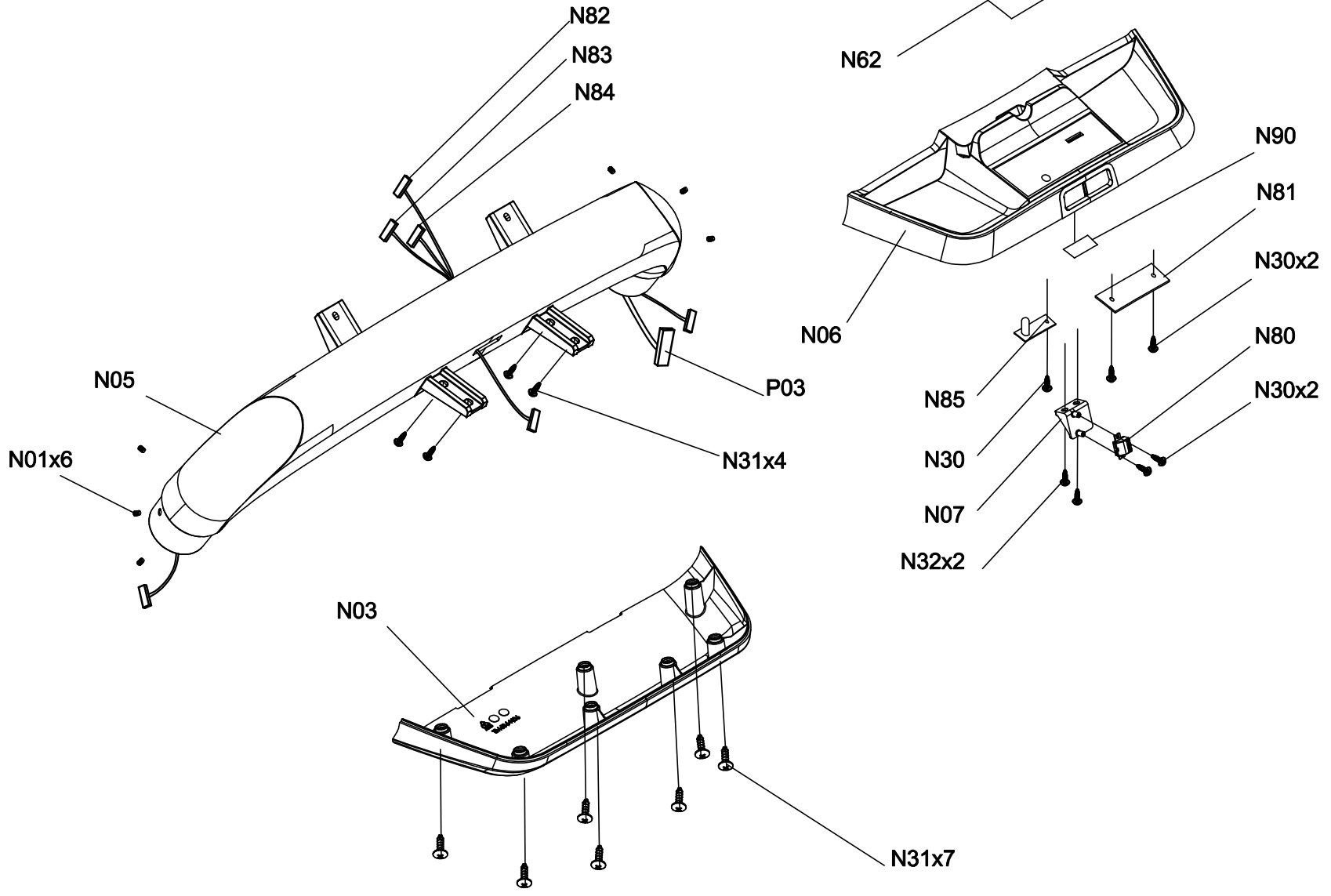
DRAWING NO	TM433-A13		
PART NAME	ARM REST SET;R		
PART NO	1000230894	REV	A
APPROVE	Wangwp	DATE	20140314



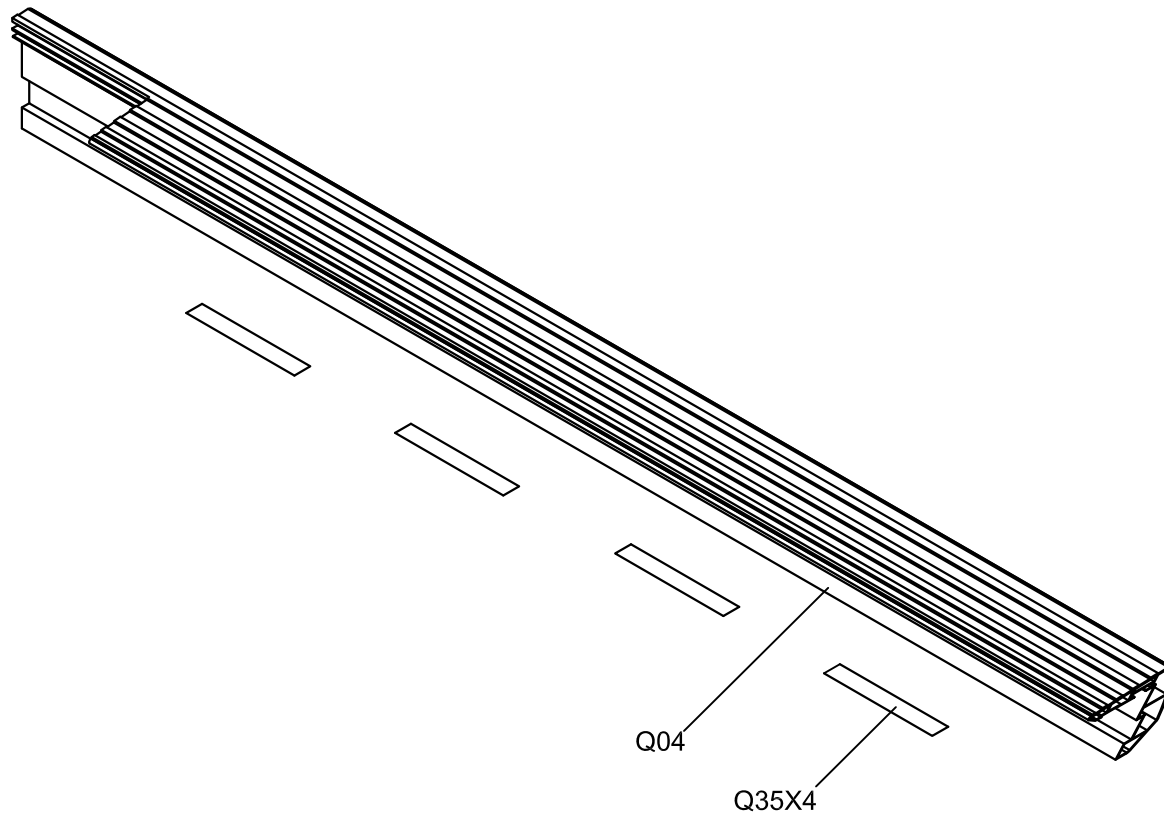
DRAWING NO	TM434-A14		
PART NAME	GRIP SET ;R;		
PART NO	1000229641	REV	A
APPROVE	Wangwp	DATE	20140314



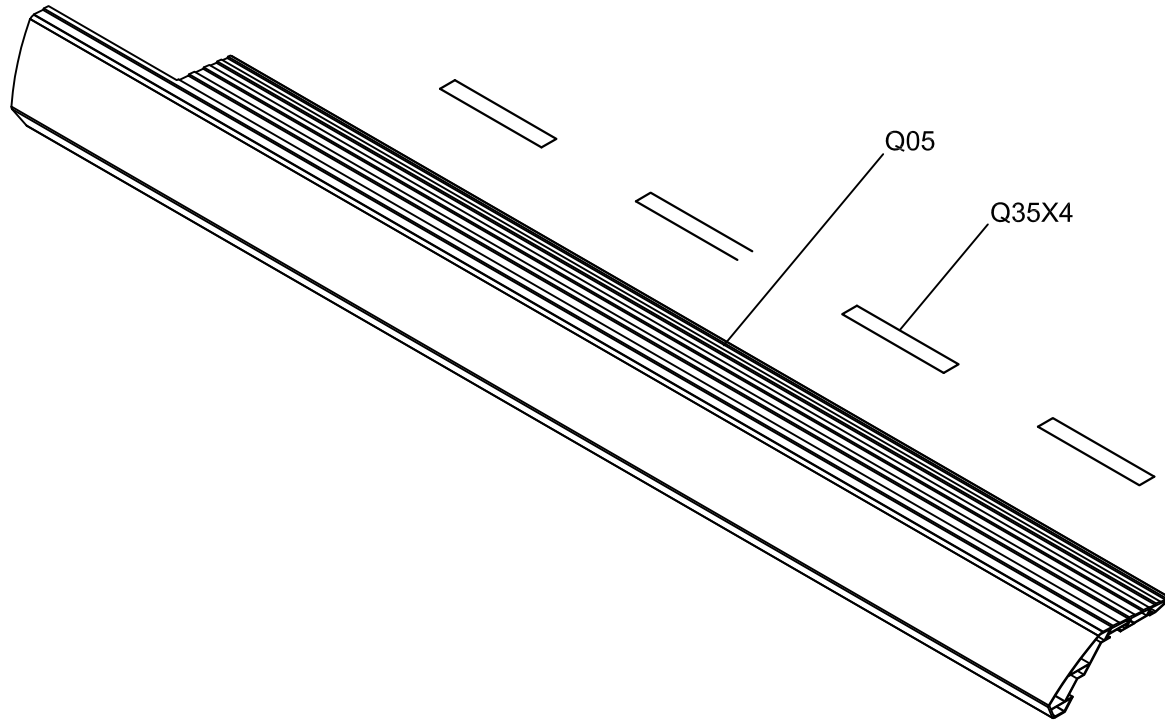
DRAWING NO	TM433-A14		
PART NAME	Console Base Set		
PART NO	1000230896	REV A	
APPROVE	Wangwp	DATE	20140314



DRAWING NO	TM433-A15		
PART NAME	SIDE RAIL SET;R		
PART NO	1000230897	REV	A
APPROVE	李志	DATE	2012.03.09



DRAWING NO	TM433-A16		
PART NAME	SIDE RAIL SET;L		
PART NO	1000230898	REV	A
APPROVE	李志	DATE	2012.03.09



DRAWING NO	TM433-A25		
PART NAME	Console Wire Set		
PART NO	1000324074	REV	A
APPROVE	Wangwp	DATE	20140314

