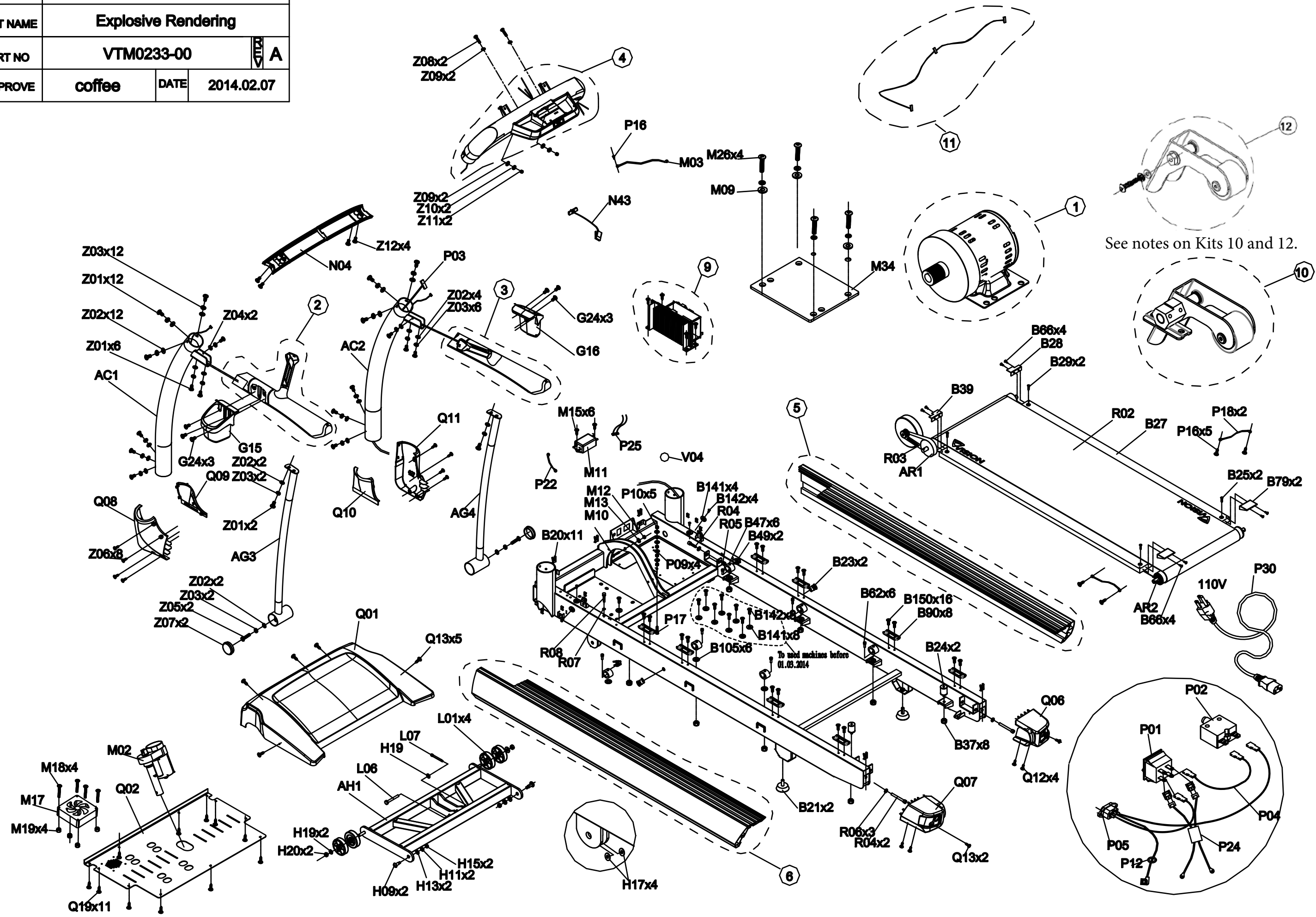
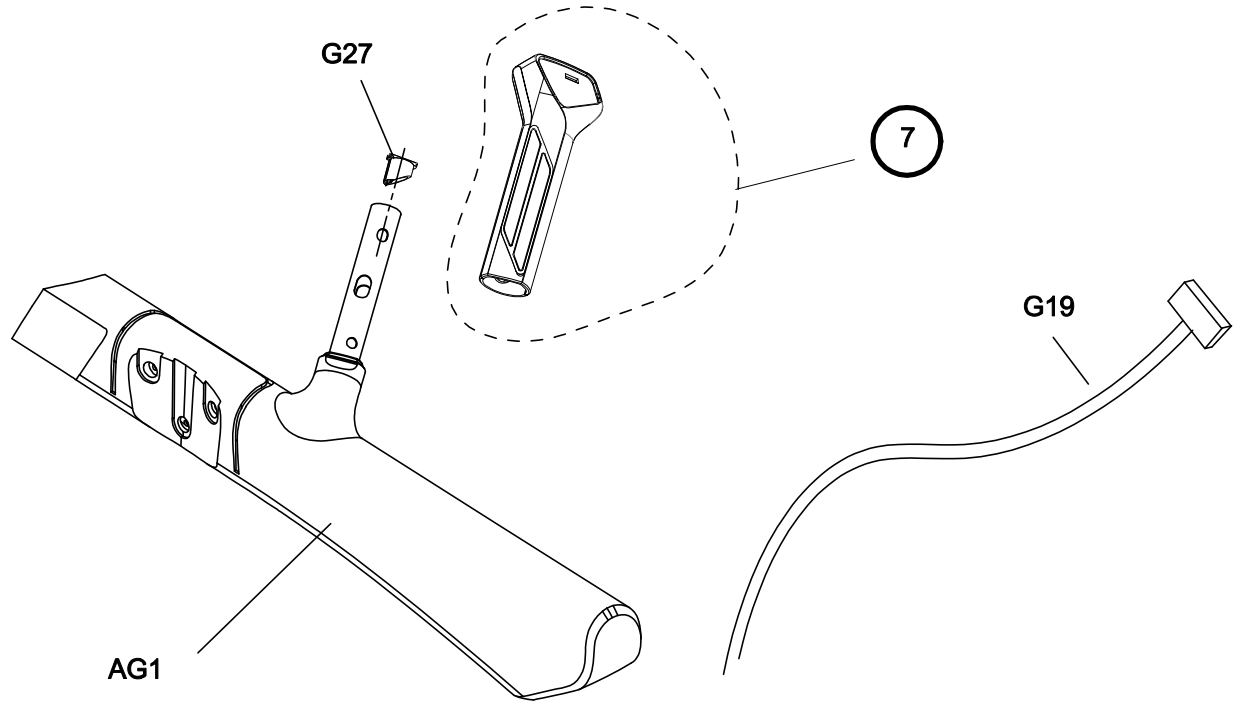


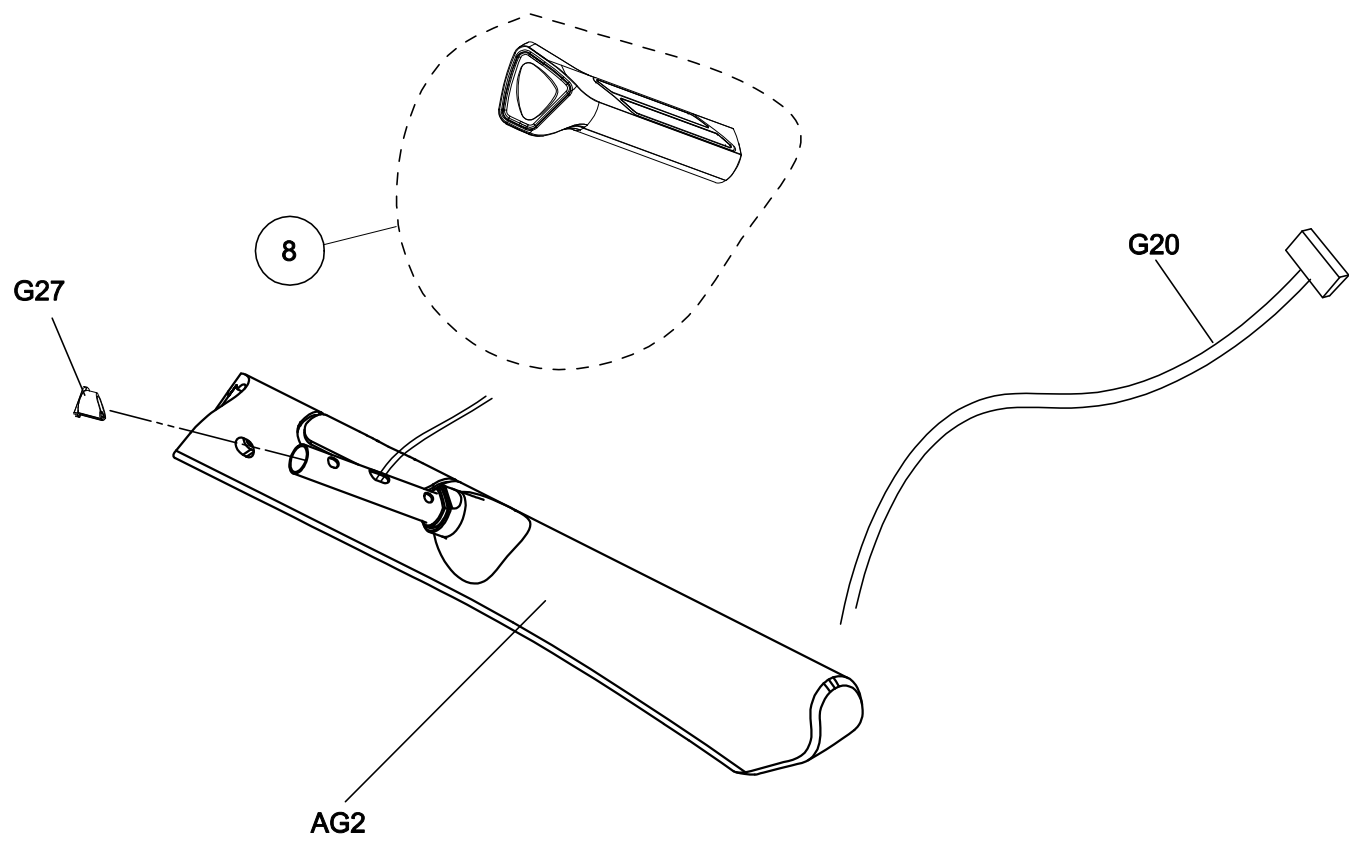
DRAWING NO	PTM445-1US-F		
PART NAME	Explosive Rendering		
PART NO	VTM0233-00	REV	A
APPROVE	coffee	DATE	2014.02.07



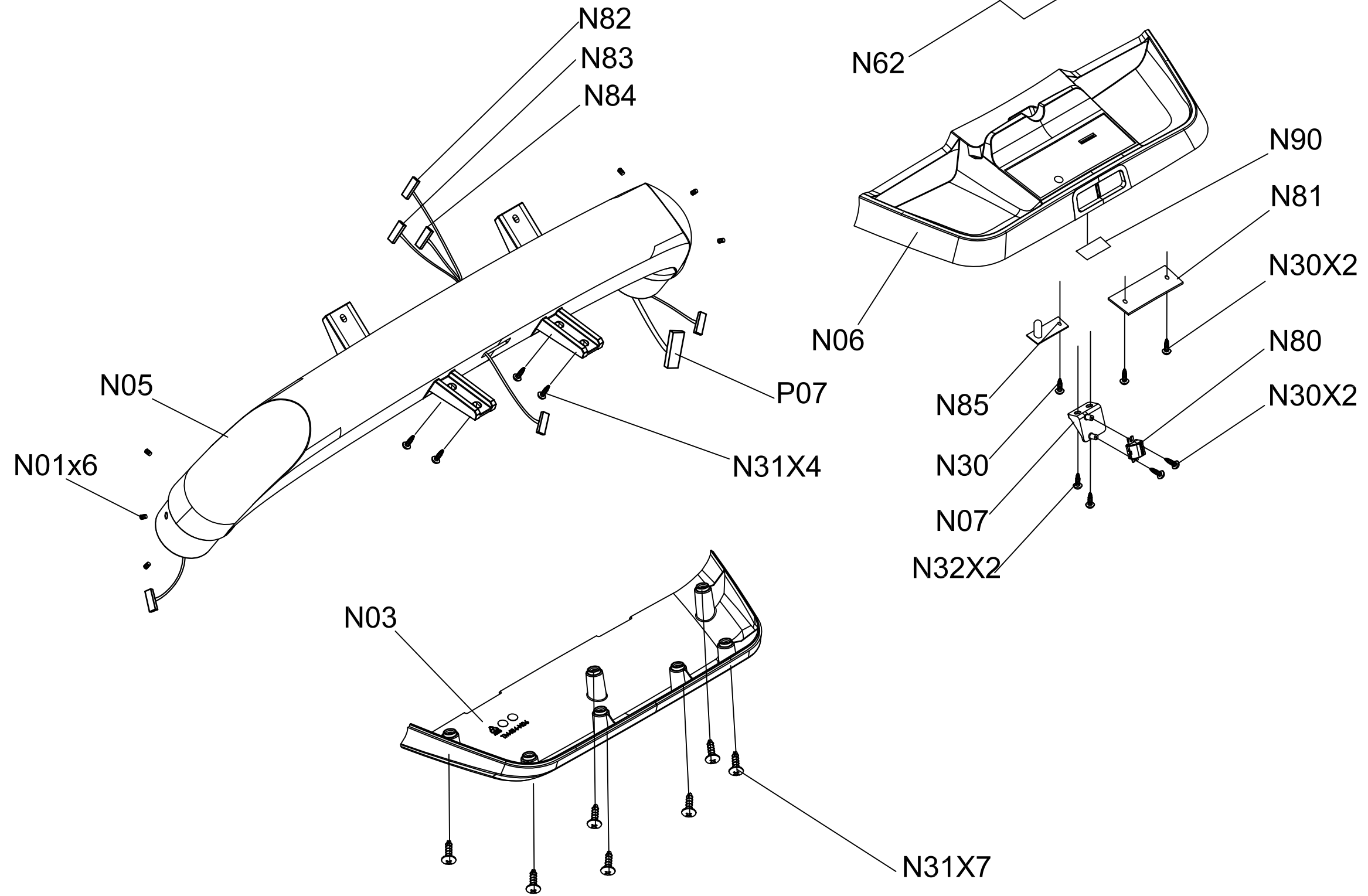
DRAWING NO	TM433-A12		
PART NAME	ARM REST SET;L		
PART NO	1000230895	REV	A
APPROVE	Wangwp	DATE	2014.03.14



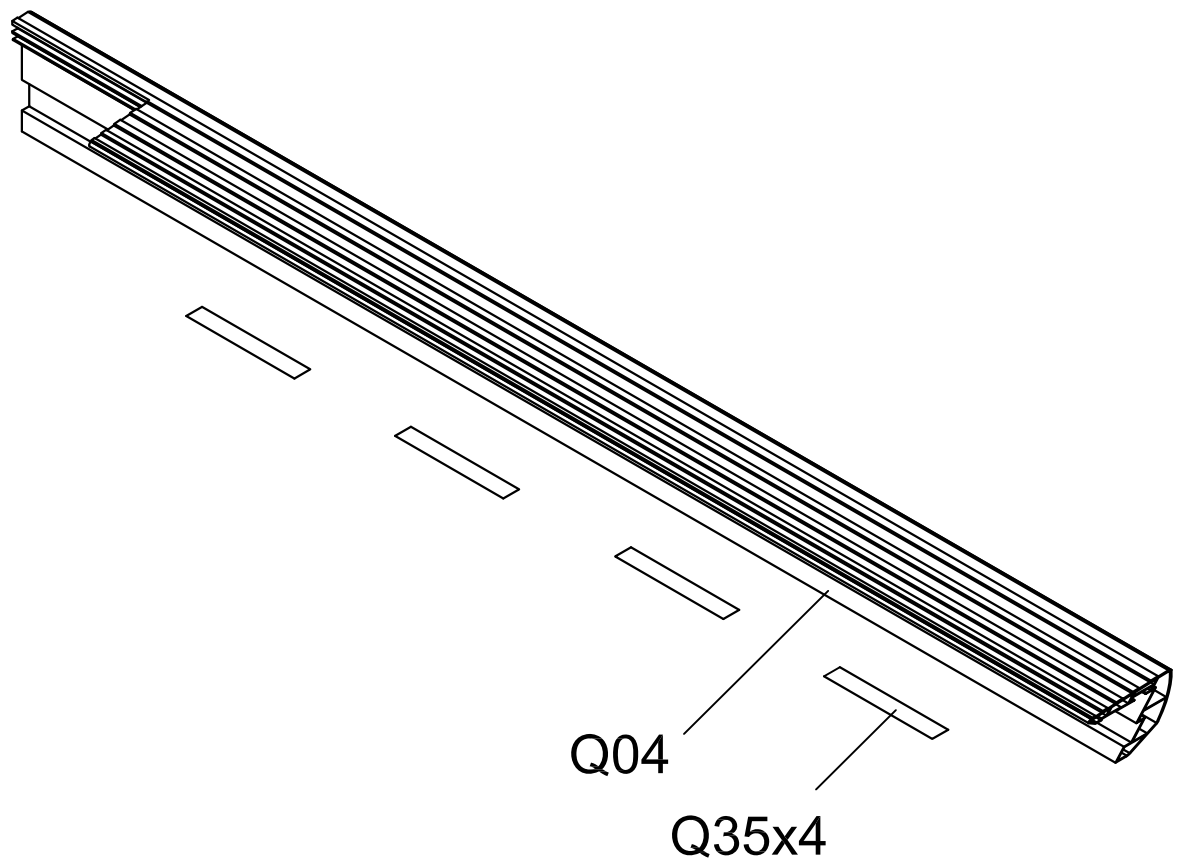
DRAWING NO	TM433-A13		
PART NAME	ARM REST SET;R		
PART NO	1000230894	REV	A
APPROVE	Wangwp	DATE	20140314



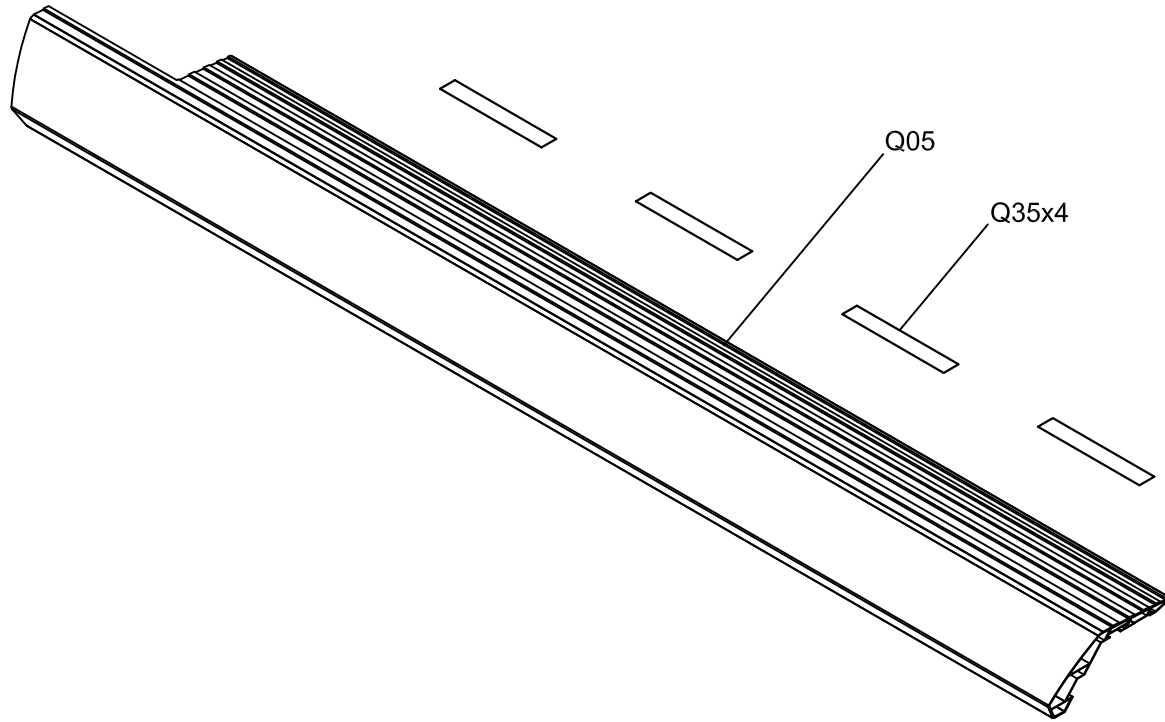
DRAWING NO	TM445-A21		
PART NAME	Console Base Set		
PART NO	1000328705	REV	A
APPROVE	李志	DATE	2013.08.09



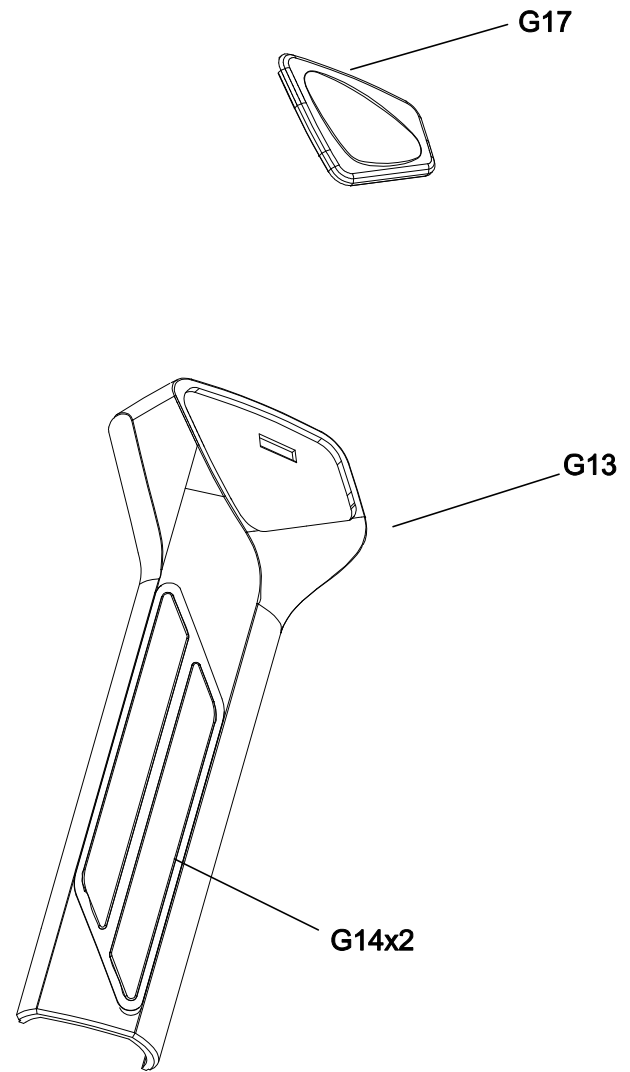
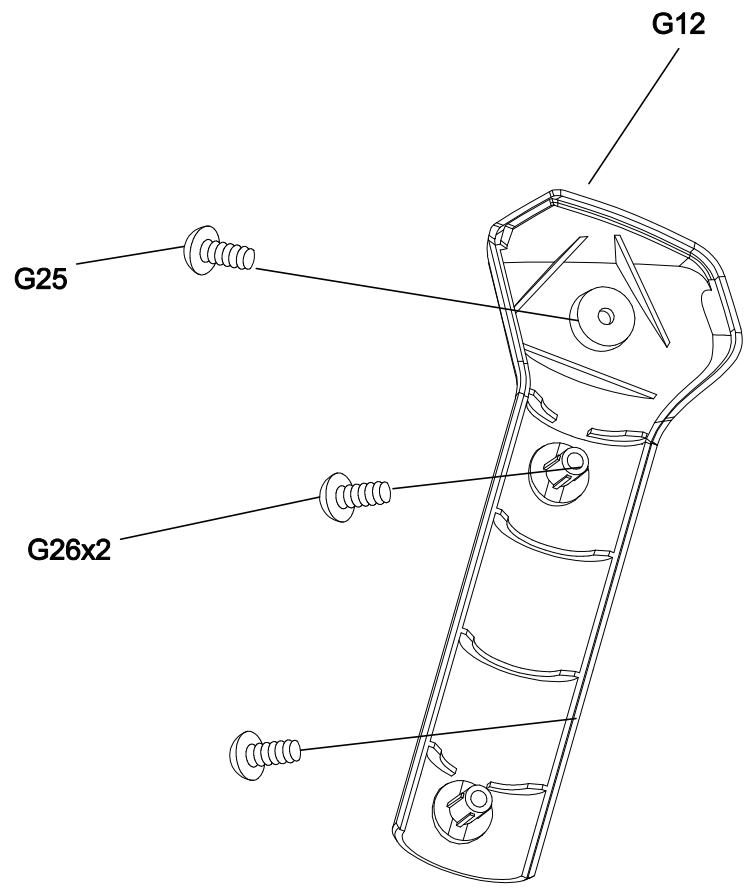
DRAWING NO	TM445-A15		
PART NAME	SIDE RAIL SET;R		
PART NO	1000232832	REA	
APPROVE	coffee	DATE	2012.05.23



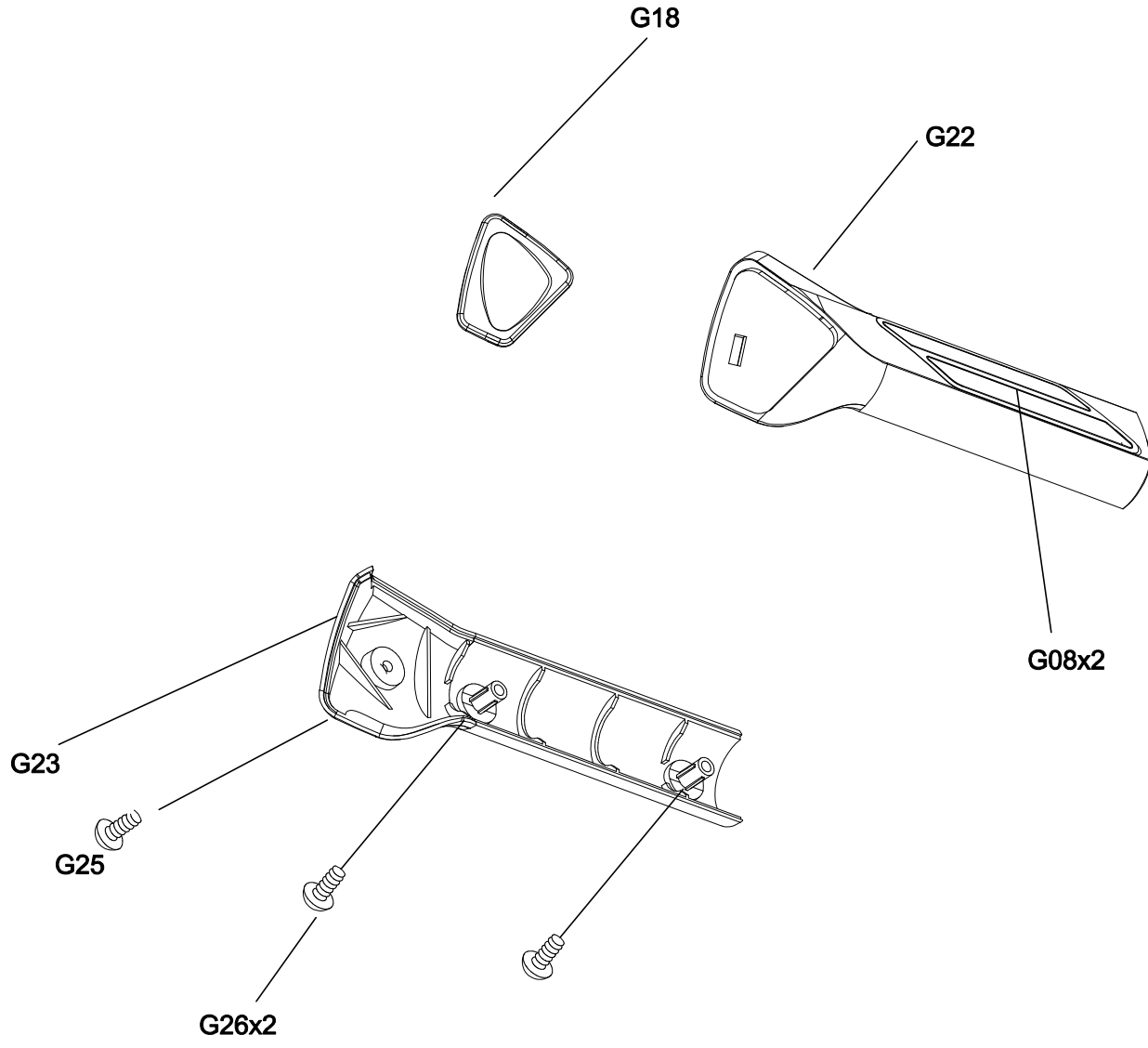
DRAWING NO	TM445-A16		
PART NAME	SIDE RAIL SET;L		
PART NO	1000232831	REV	A
APPROVE	coffe	DATE	2012.05.23



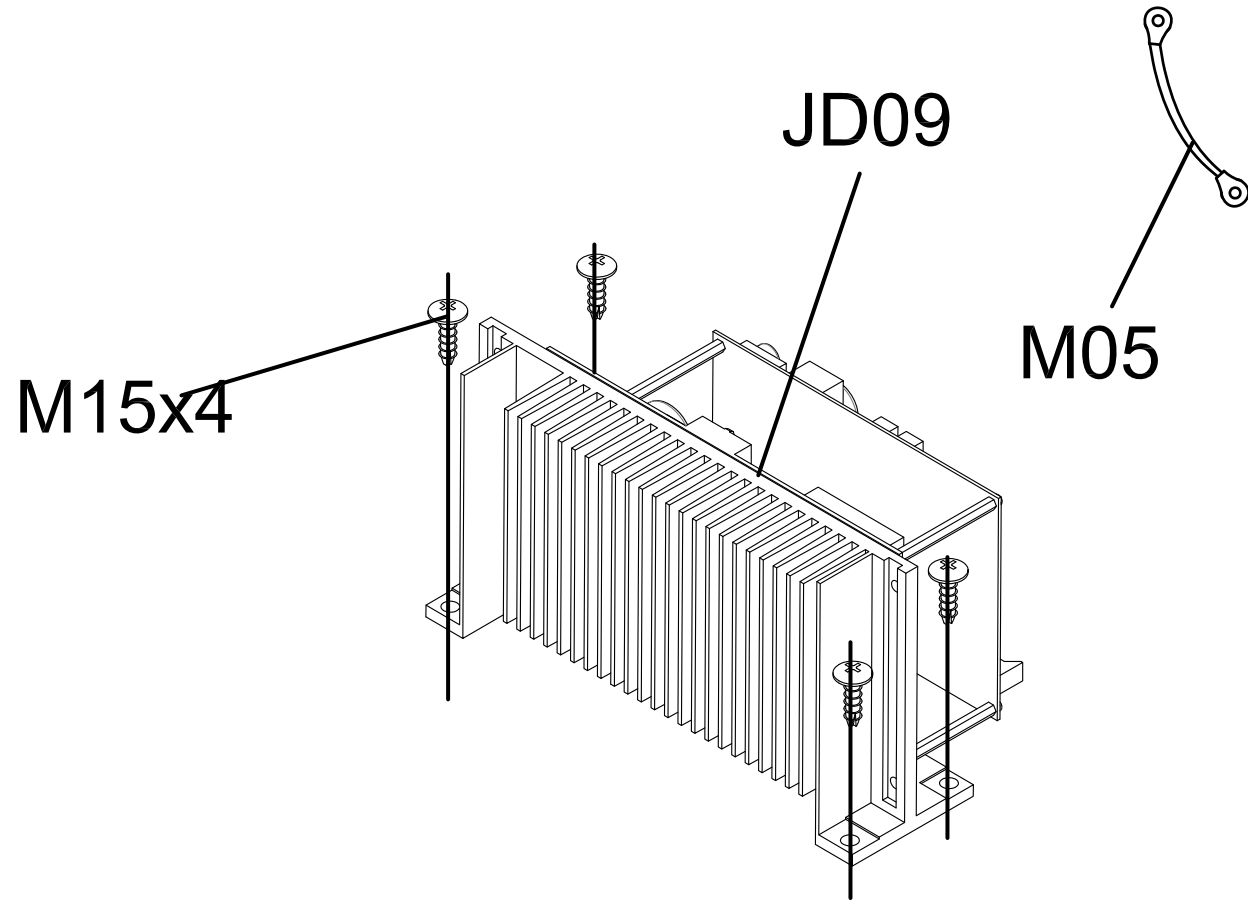
DRAWING NO	TM434-A13		
PART NAME	GRIP SET;L;		
PART NO	1000229640	REV	A
APPROVE	Wangwp	DATE	20140314



DRAWING NO	TM434-A14		
PART NAME	GRIP SET ;R;		
PART NO	1000229641	REV	A
APPROVE	Wangwp	DATE	20140314

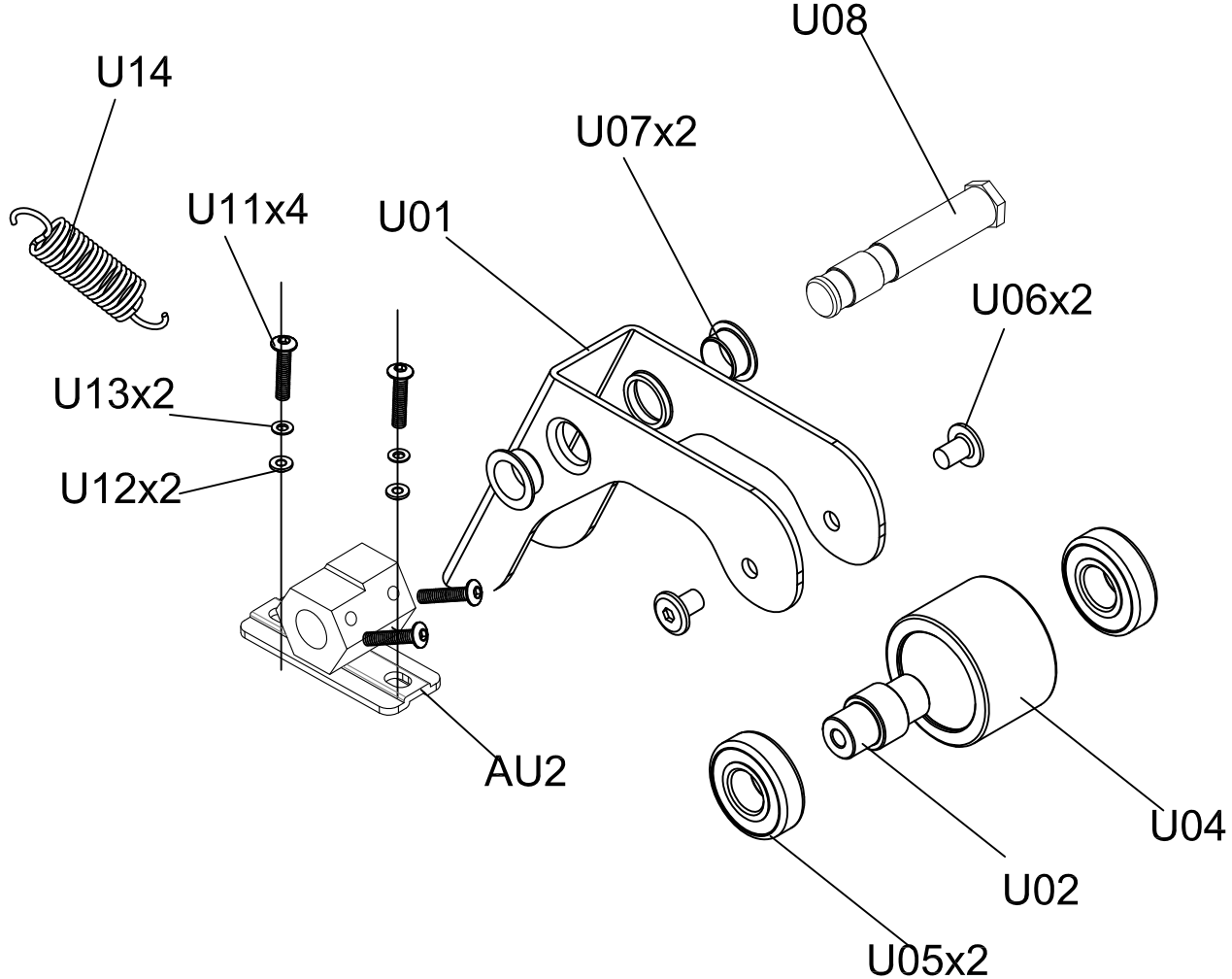


DRAWING NO	TM445-A17		
PART NAME	MCB SET		
PART NO	1000233007	REV	A
APPROVE	coffee	DATE	2012.05.23



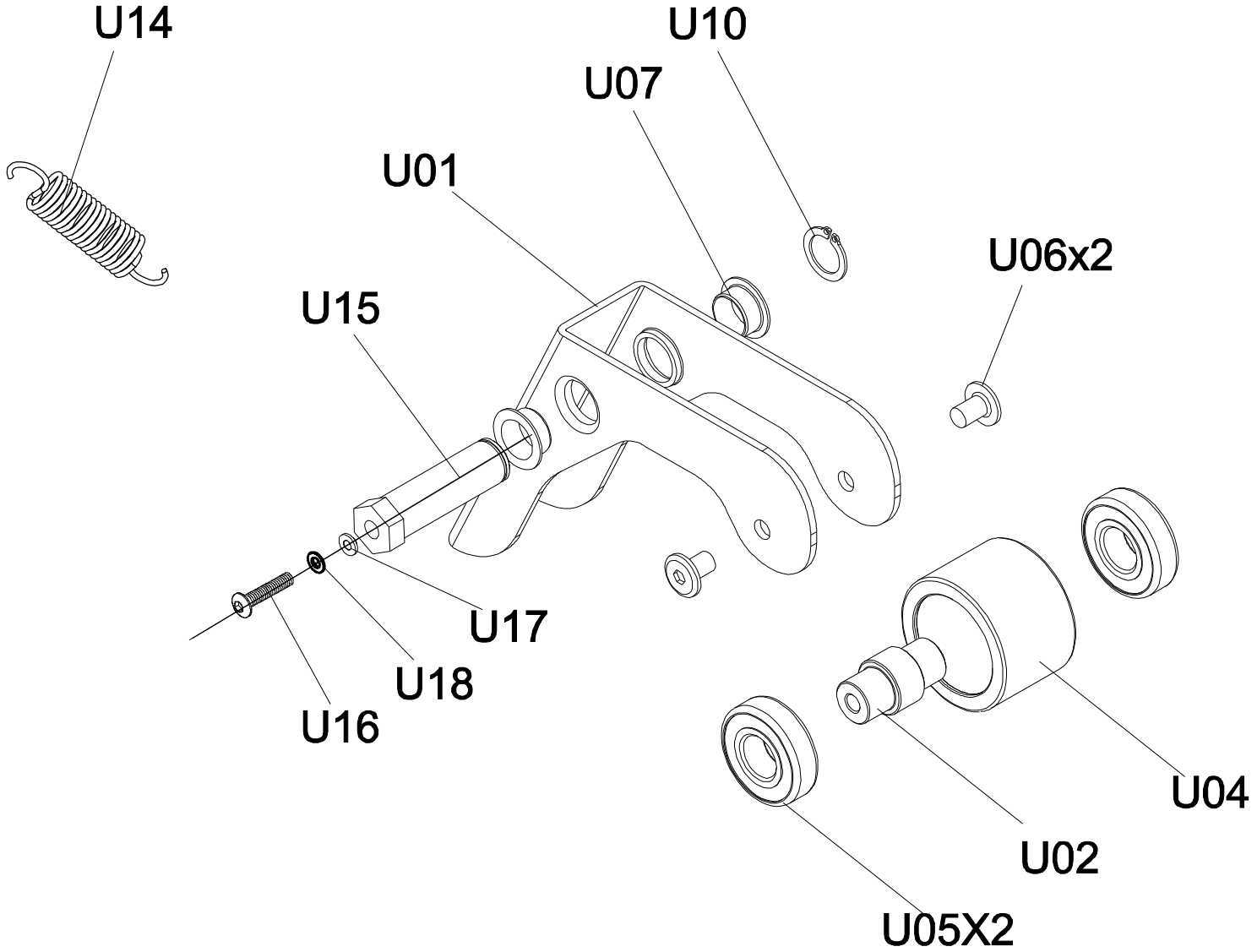
DRAWING NO	TM445-A18		
PART NAME	IDLER SET		
PART NO	1000300156	REV	A
APPROVE	coffee	DATE	2012.12.12

For units manufactured before March 2016

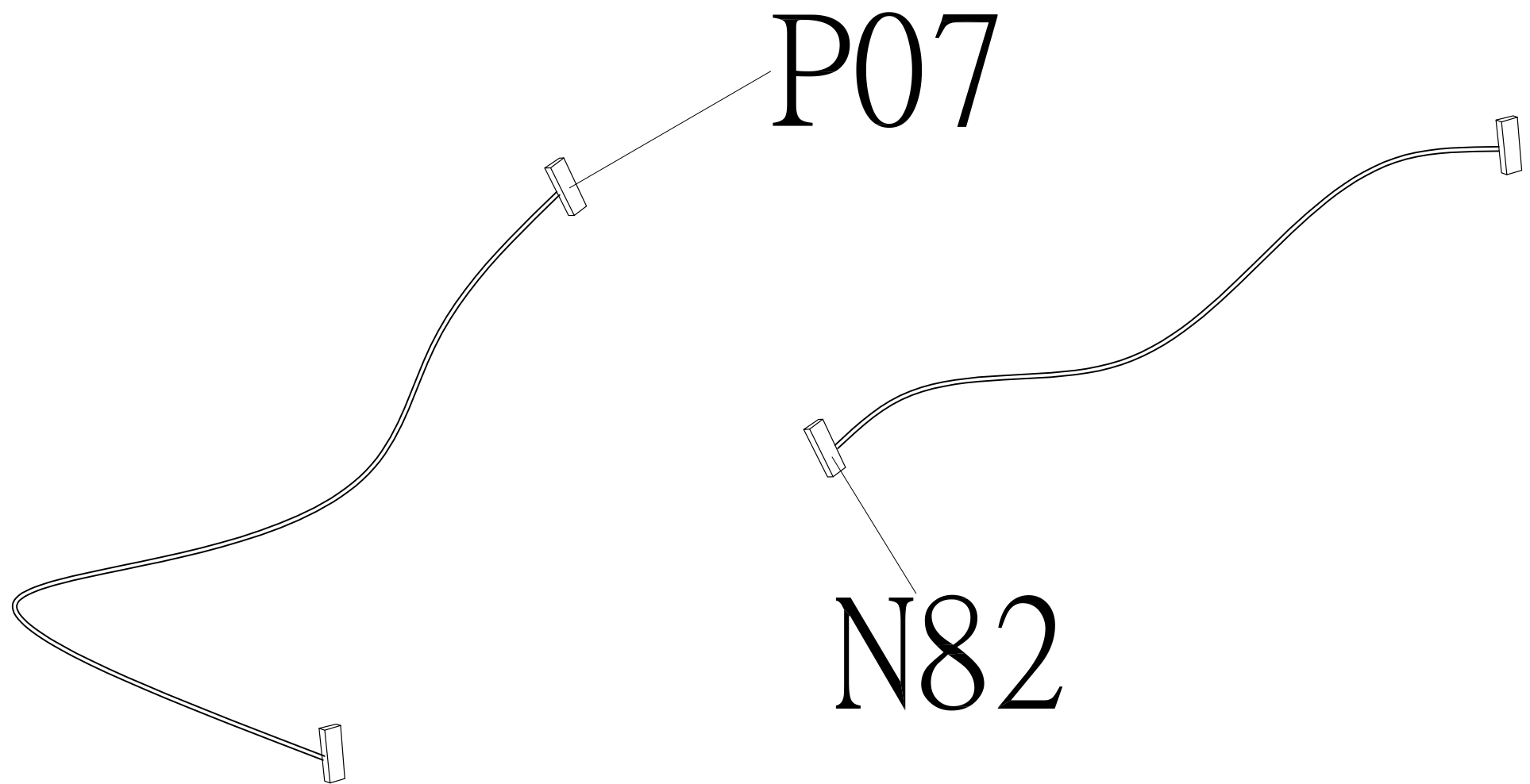


DRAWING NO	TM445-A19		
PART NAME	IDLER SET		
PART NO	1000381441	REV	A
APPROVE	Harvey	DATE	2015.12.01

For units manufactured after February 2016



DRAWING NO	TM445-A20		
PART NAME	Console wires Set		
PART NO	1000324076	REV	A
APPROVE		DATE	20130808



DRAWING NO	TM445-A11		
PART NAME	Motor set		
PART NO	1000232830	REV	A
APPROVE	coffee	DATE	2012.05.23

