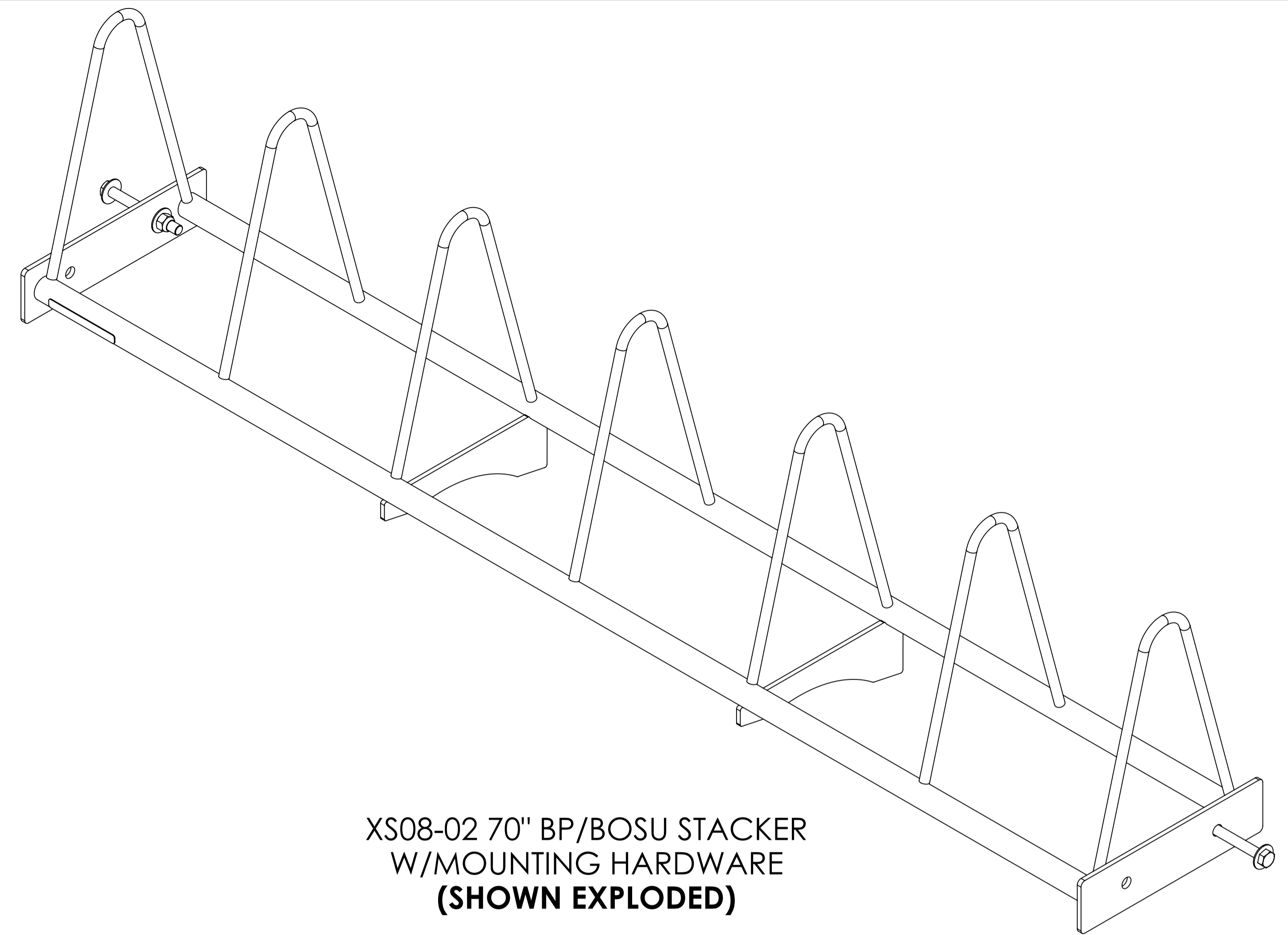
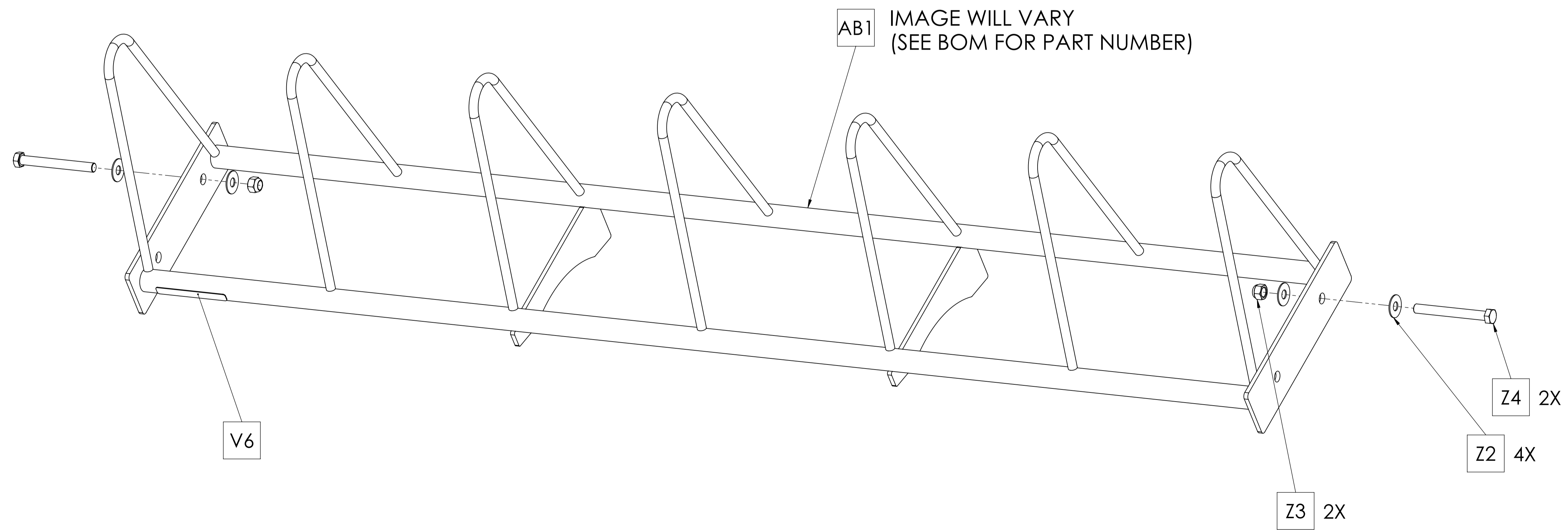


XS07-02 42" BP/BOSU STACKER
W/MOUNTING HARDWARE



XS08-02 70" BP/BOSU STACKER
W/MOUNTING HARDWARE
(SHOWN EXPLODED)



MATRIX			
DWG NO. XS07-02 & XS08-02 SERVICE			
DESCRIPTION: BP/BOSU STACKER XULT			
DRAWN BY:	LMB	DATE:	2017.NOV.03
UPDATED BY:	LMB	DATE:	2018.MAY.21