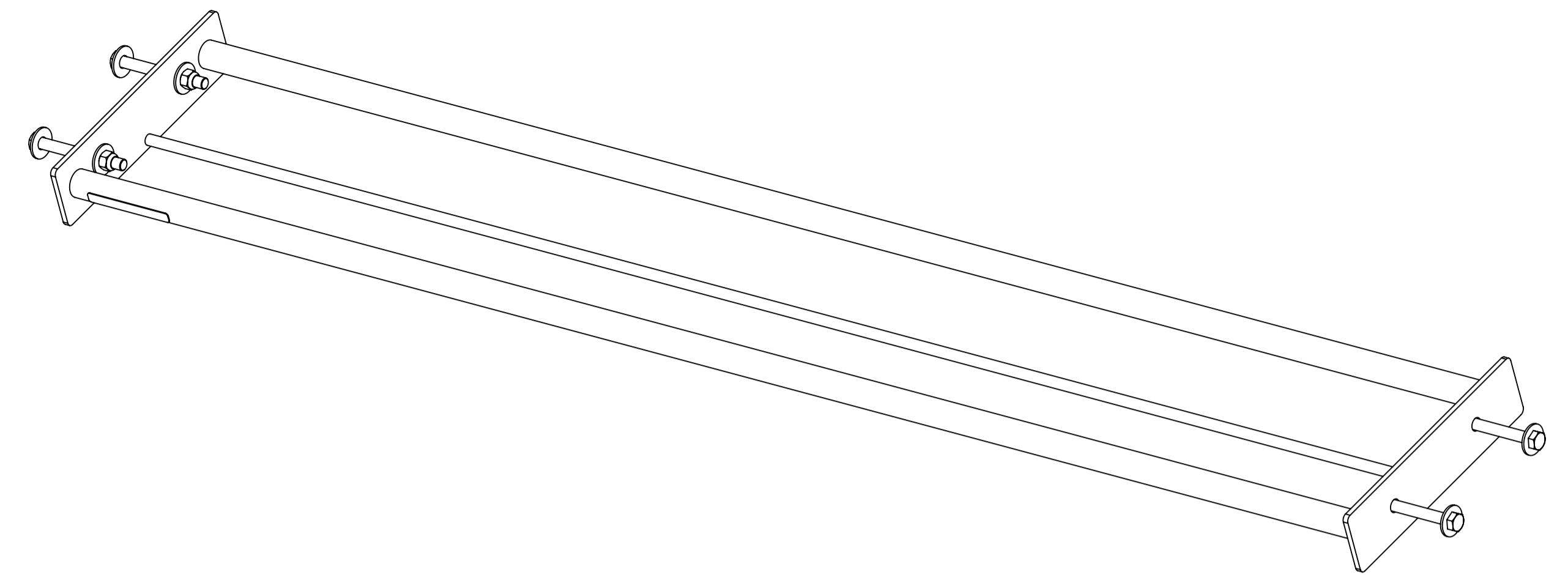
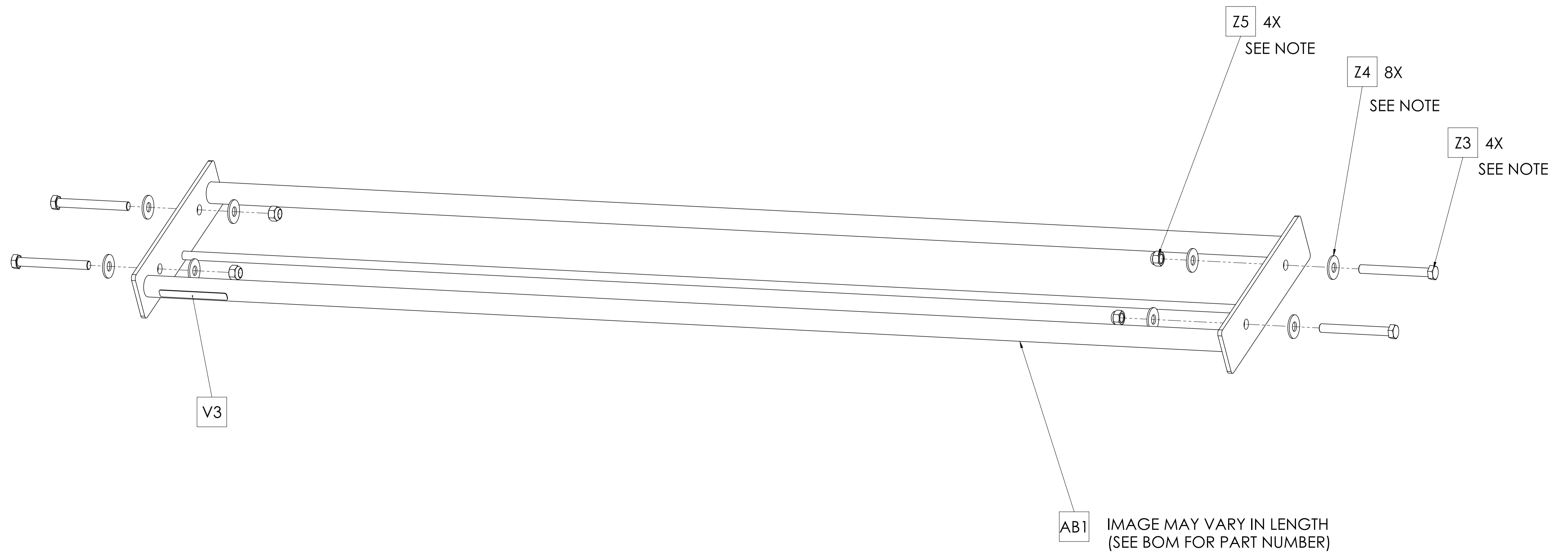


MB/SB SHELF 42"



MB/SB SHELF 70"  
(SHOWN EXPLODED)



**NOTE: SUPPORT MOUNTING HARDWARE PROVIDED**  
 UPRIGHT MOUNTING REQUIRES XS11-02 LINEAR SHELF MTG AND/OR XS18-02 SR SHELF MTG

<b>MATRIX</b>			
DWG NO. XS01-02 & XS02-02 SERVICE			
DESCRIPTION: MB/SB SHELF XULT			
DRAWN BY:	LMB	DATE:	2017.NOV.03
UPDATED BY:	LMB	DATE:	2018.APR.02