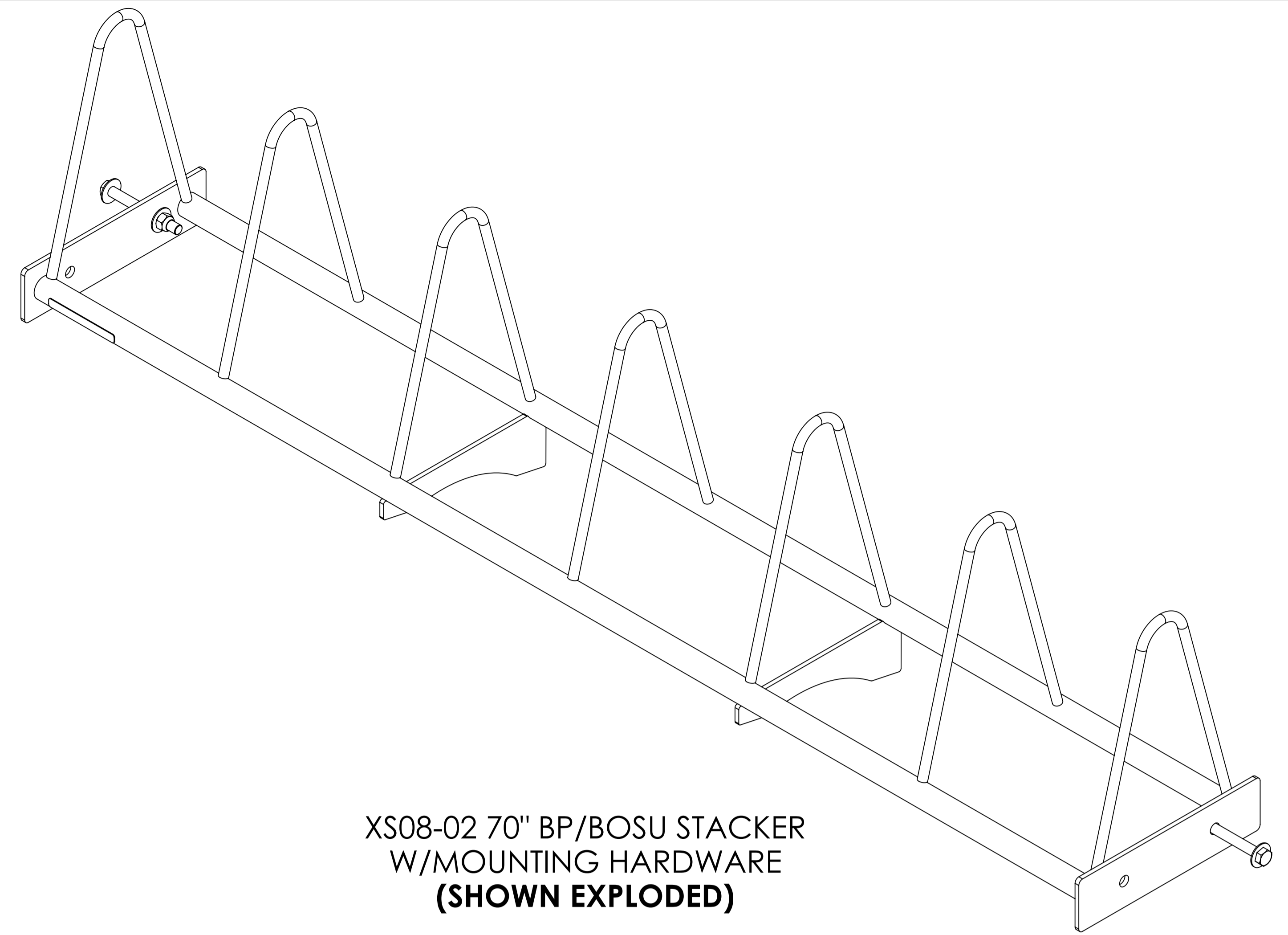
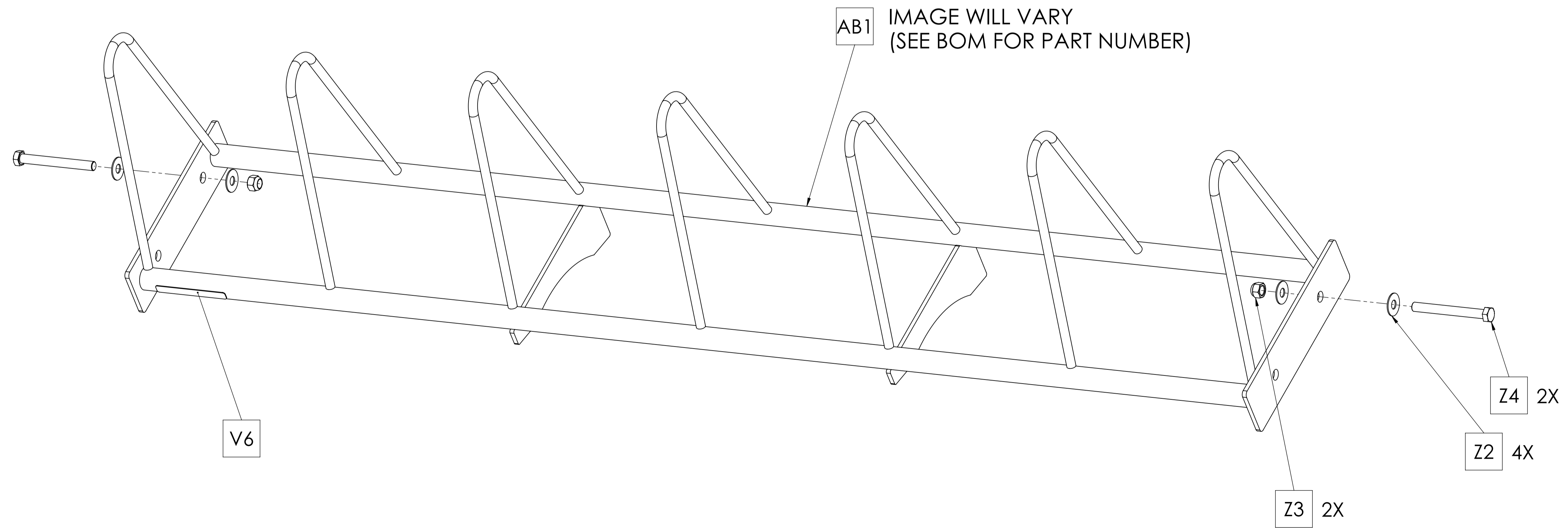


XS07-02 42" BP/BOSU STACKER  
W/MOUNTING HARDWARE



XS08-02 70" BP/BOSU STACKER  
W/MOUNTING HARDWARE  
**(SHOWN EXPLODED)**



**MATRIX**

DWG NO.		
XS07-02 & XS08-02 SERVICE		
DESCRIPTION:		
BP/BOSU STACKER		
XULT		
DRAWN BY:	LMB	DATE: 2017.NOV.03
UPDATED BY:	LMB	DATE: 2018.MAY.21