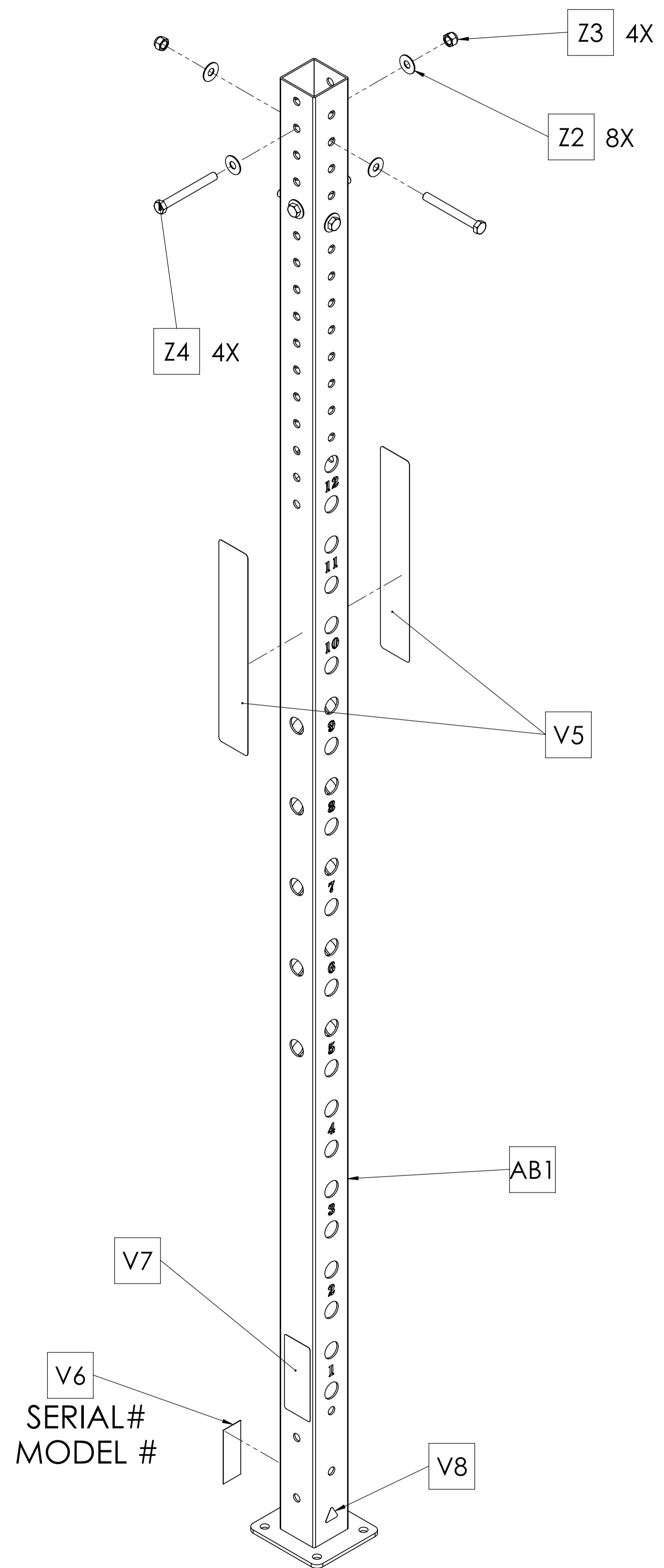
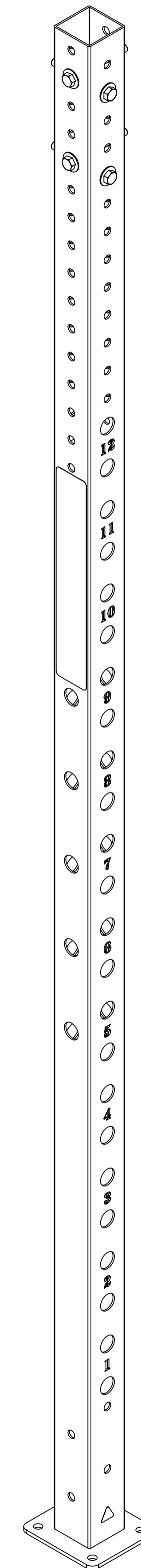


MATRIX

DWG NO.	XT-14-FS-02 SERVICE		
DESCRIPTION:	RIG 14FT FREE STAND		
	XULT		
DRAWN BY:	LMB	DATE:	2017.NOV.07
UPDATED BY:		DATE:	



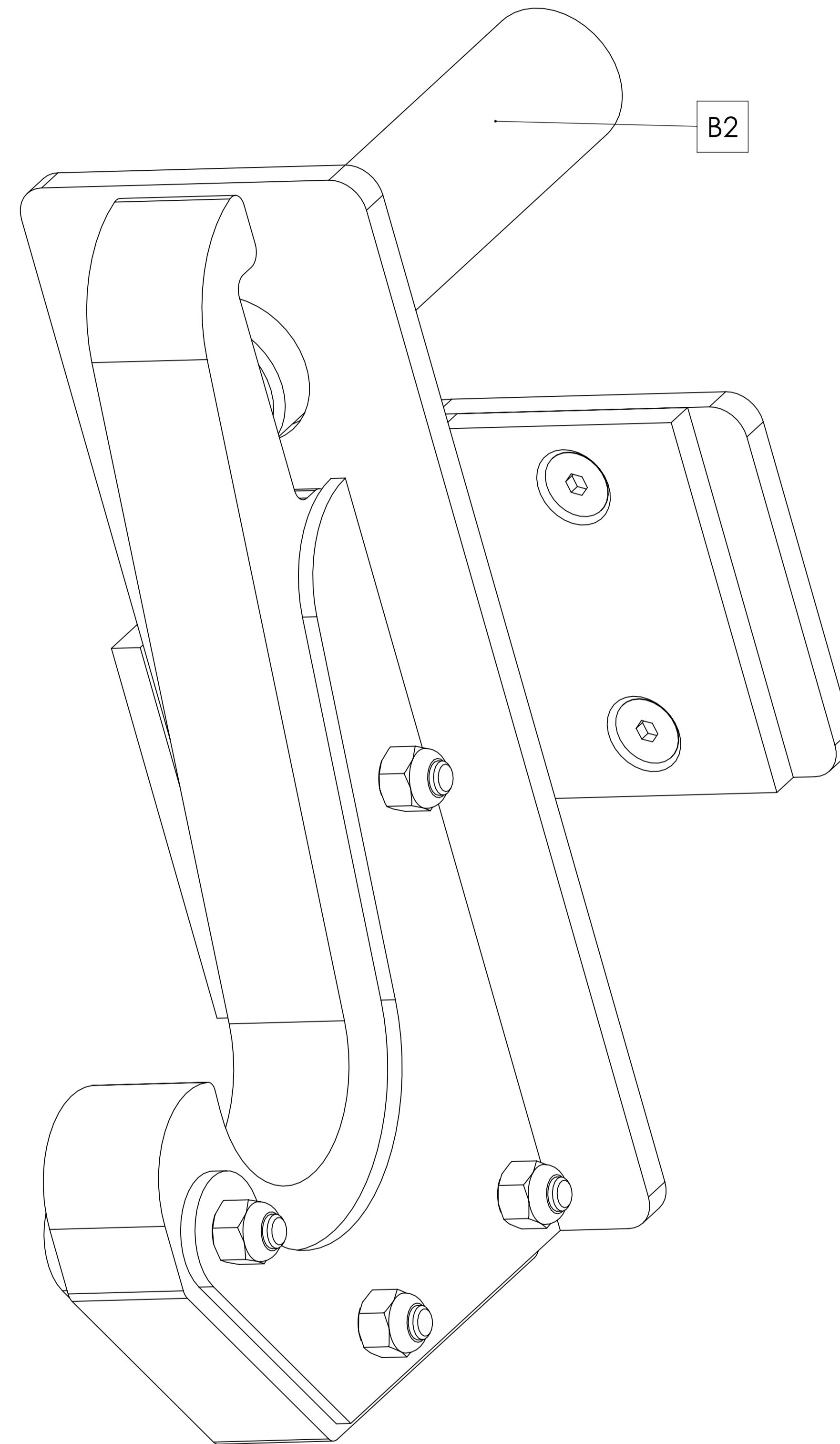
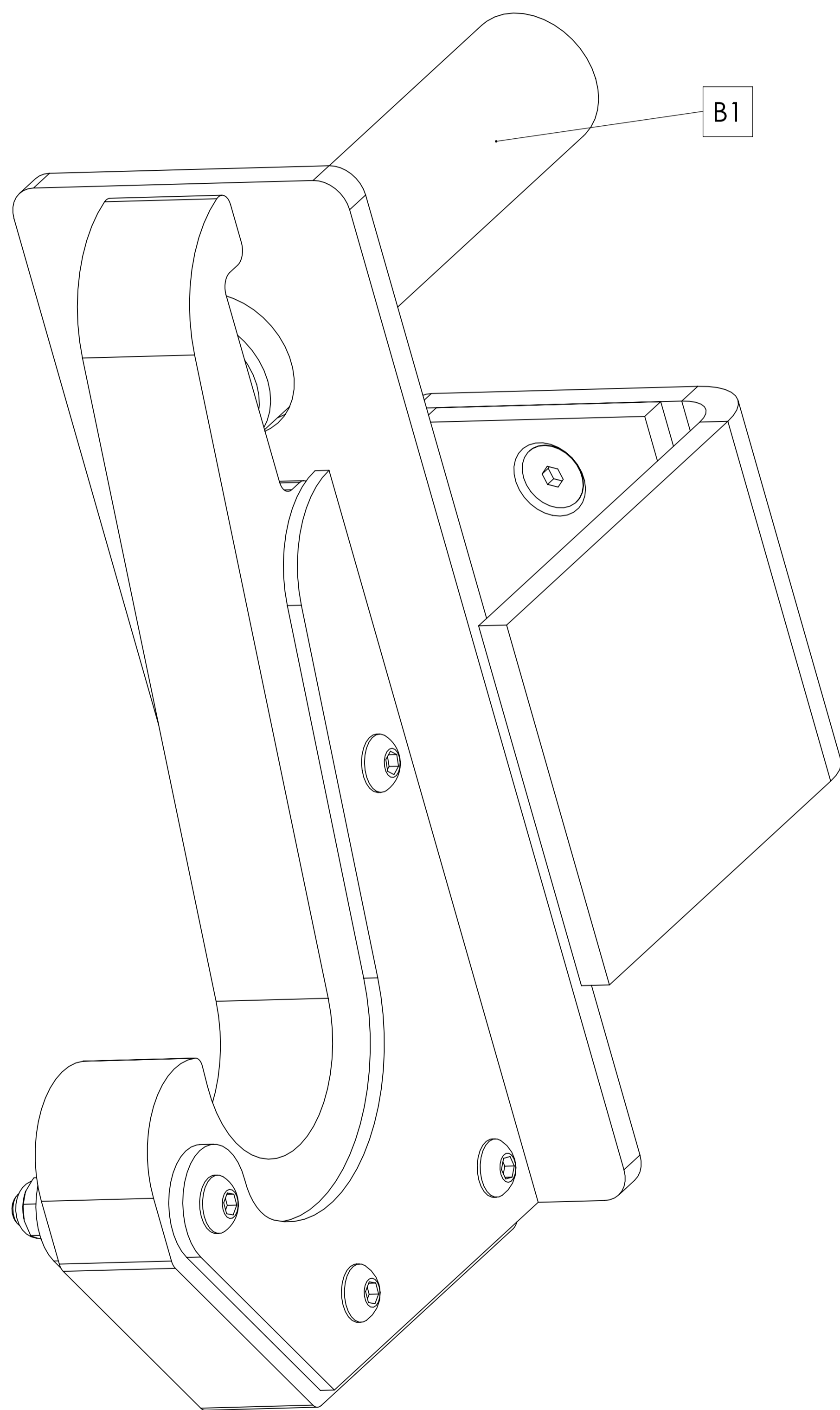
XR03S-02
XULT 9' UPRIGHT W/SERIAL# & MTG HW
(SHOWN EXPLODED)



XR03-02
XULT 9' UPRIGHT W/MTG HW

MATRIX

DWG NO.		XR03-02 SERIES SERVICE	
DESCRIPTION:		RIG;9' UPRIGHT SERIES	
		XULT	
DRAWN BY:	LMB	DATE:	2017.NOV.03
UPDATED BY:		DATE:	



MATRIX

DWG NO.

XR11-02 SERVICE

DESCRIPTION

XULT; J-CUP SET (RIGHT & LEFT)

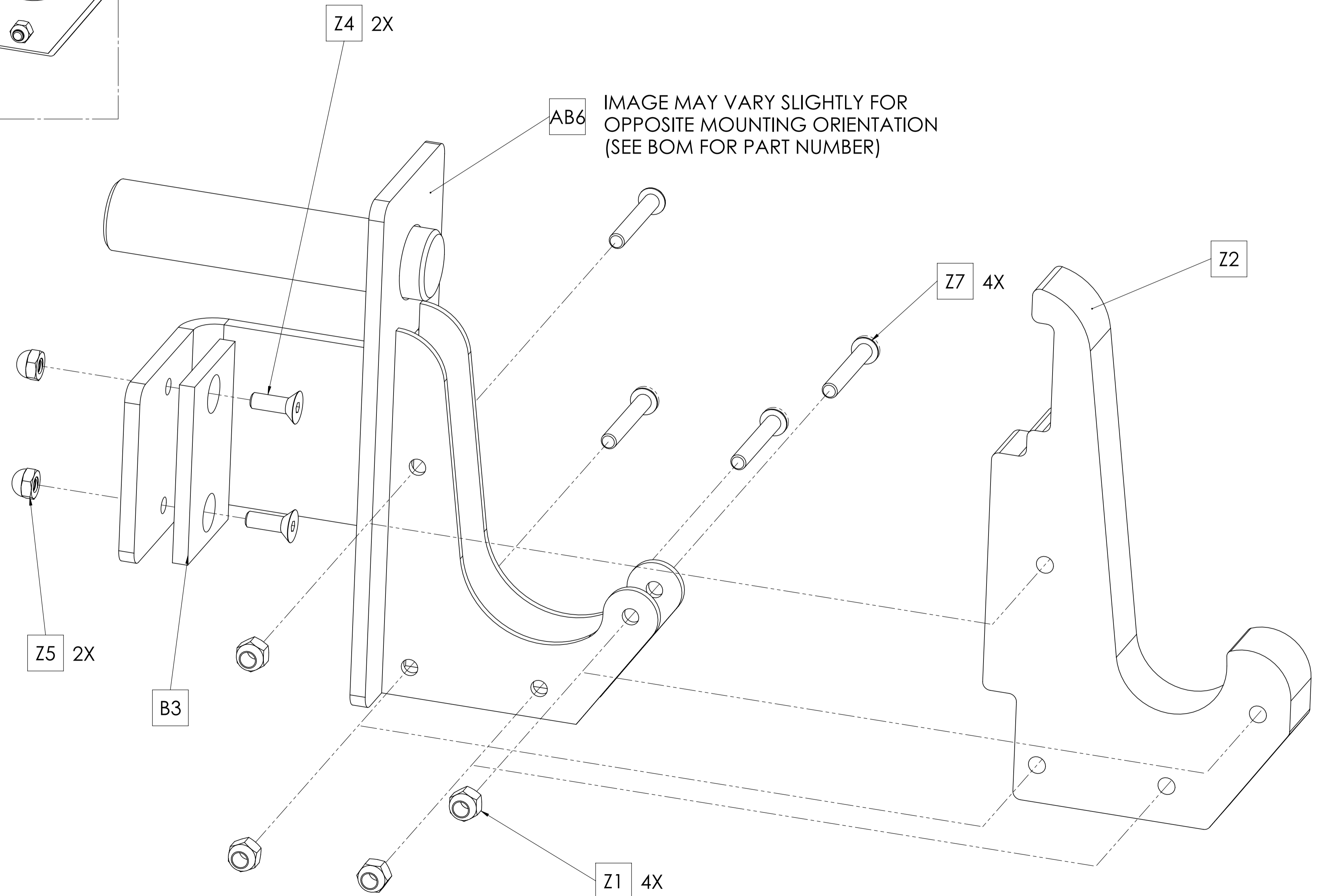
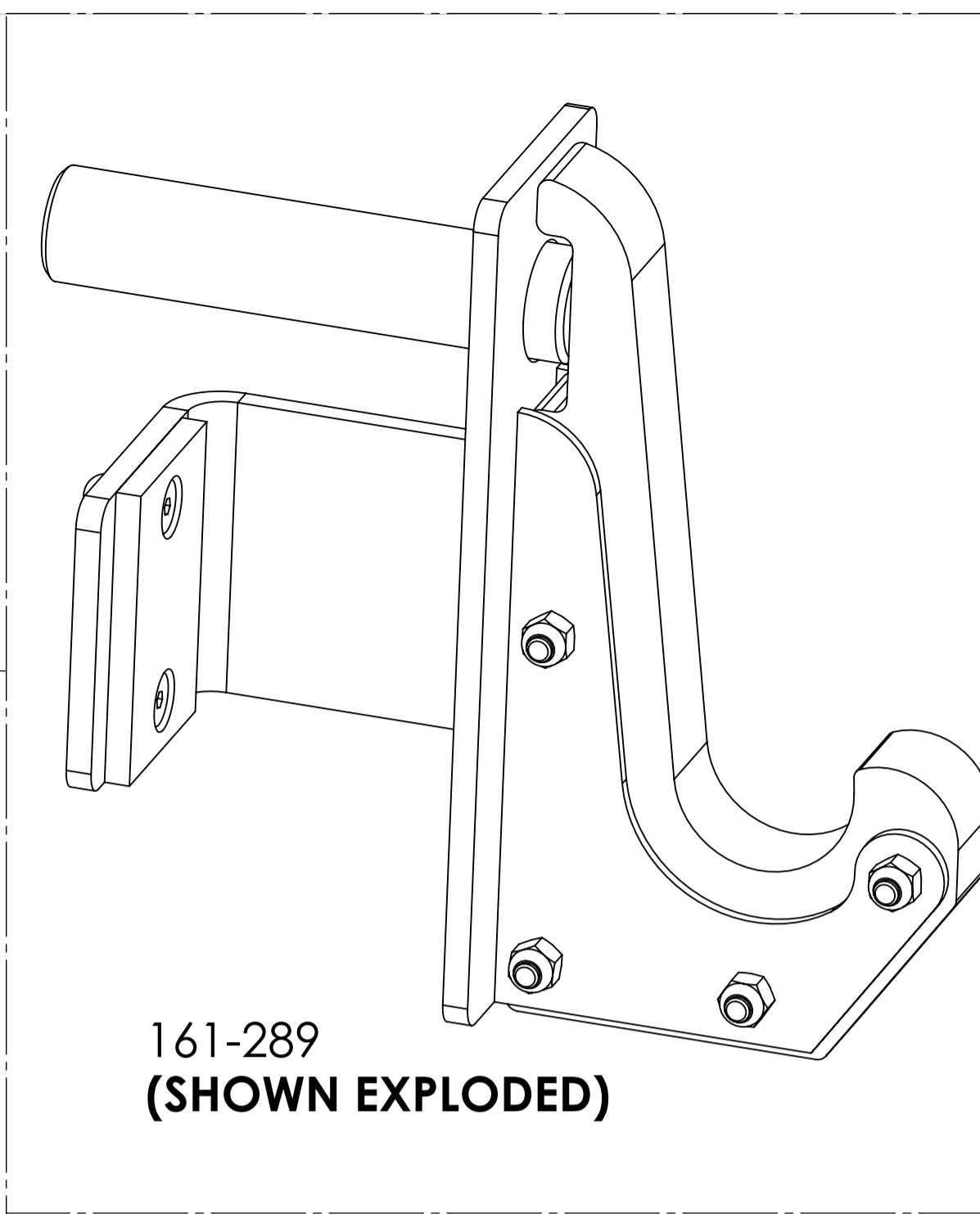
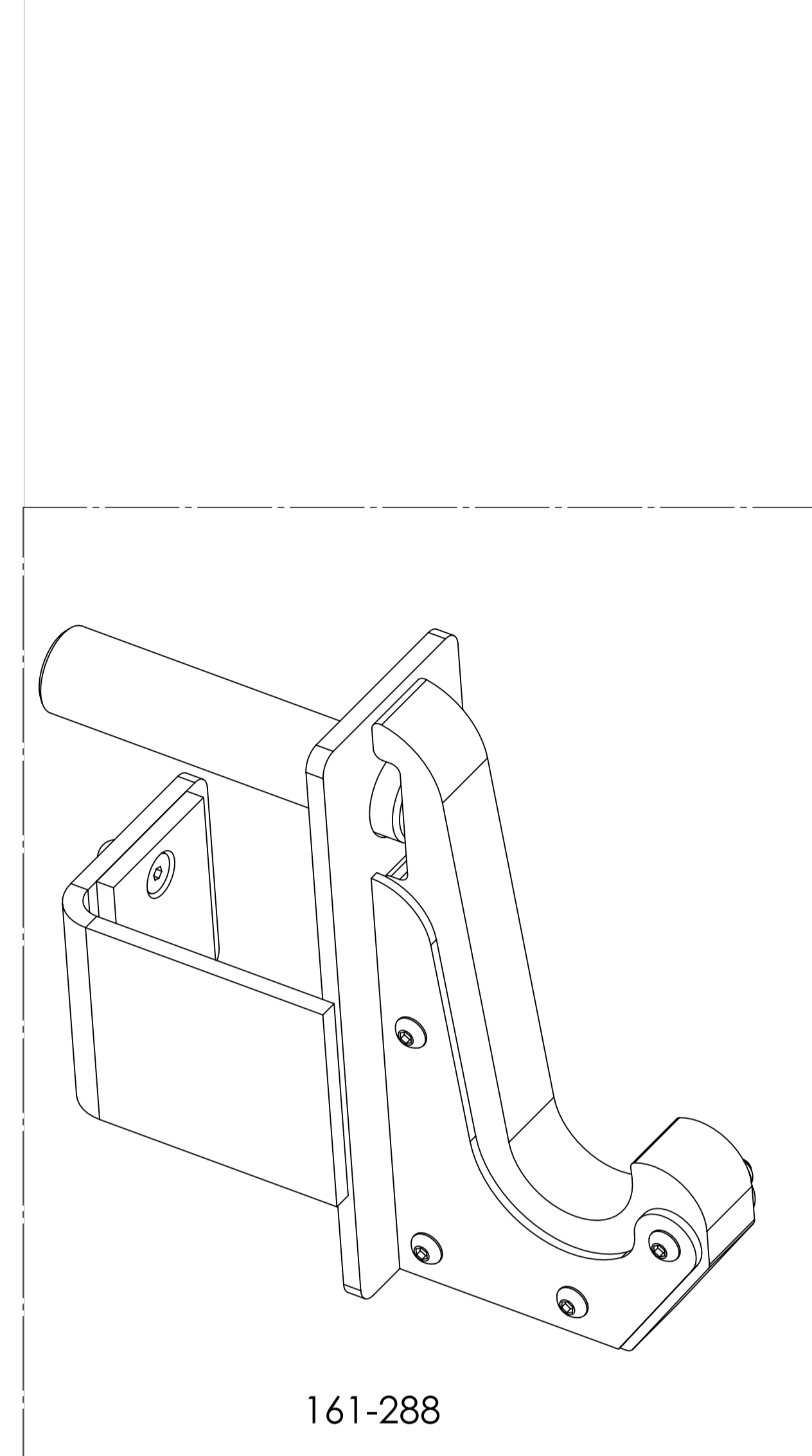
XULT

DRAWN BY: LMB

DATE: 2017.NOV.03

UPDATED BY:

DATE:



MATRIX

DWG NO. 161-288 & 161-289 SERVICE

DESCRIPTION: J-CUP ASSEMBLY

XULT

DRAWN BY: LMB DATE: 2017.NOV.03

UPDATED BY: DATE: