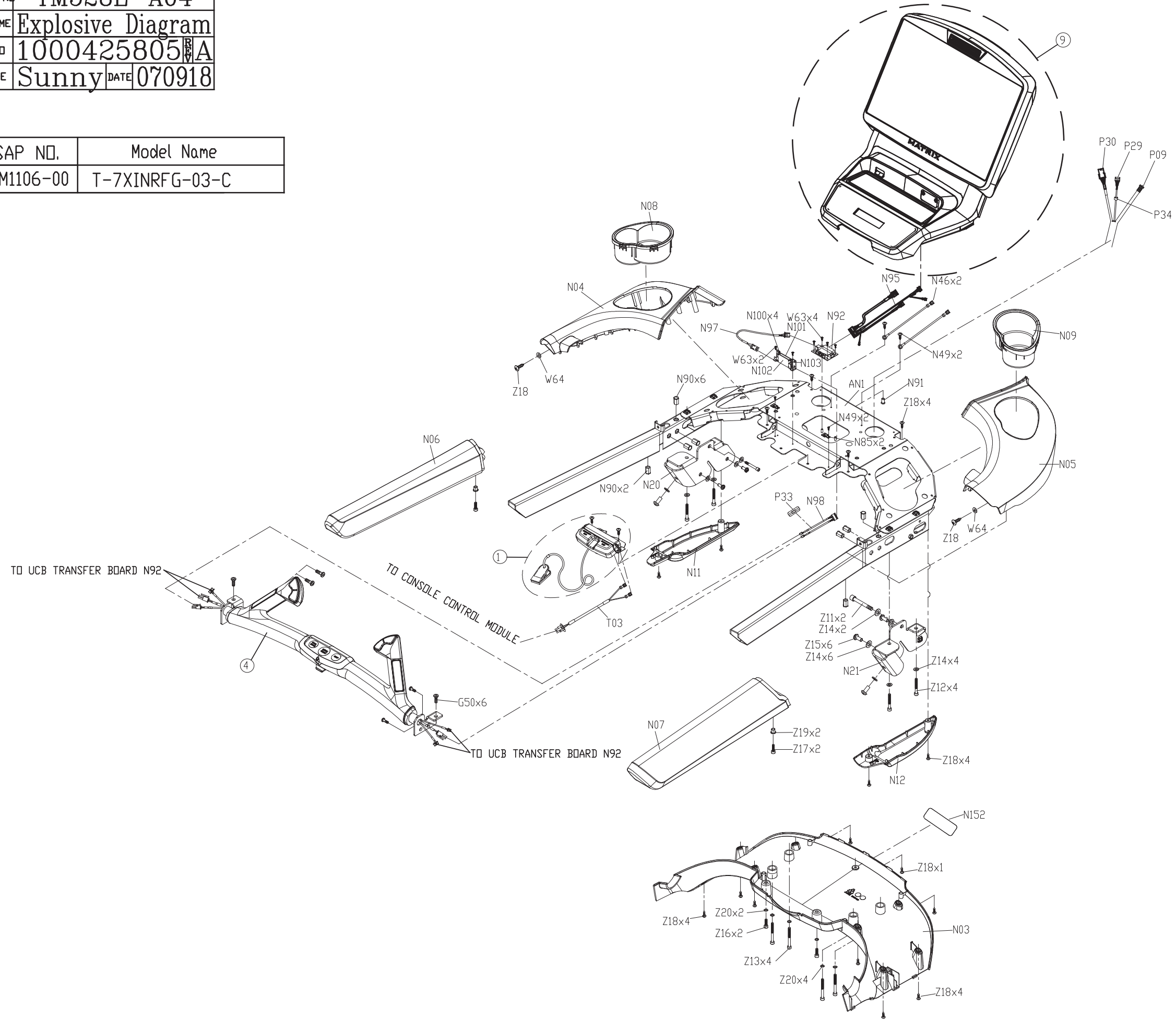
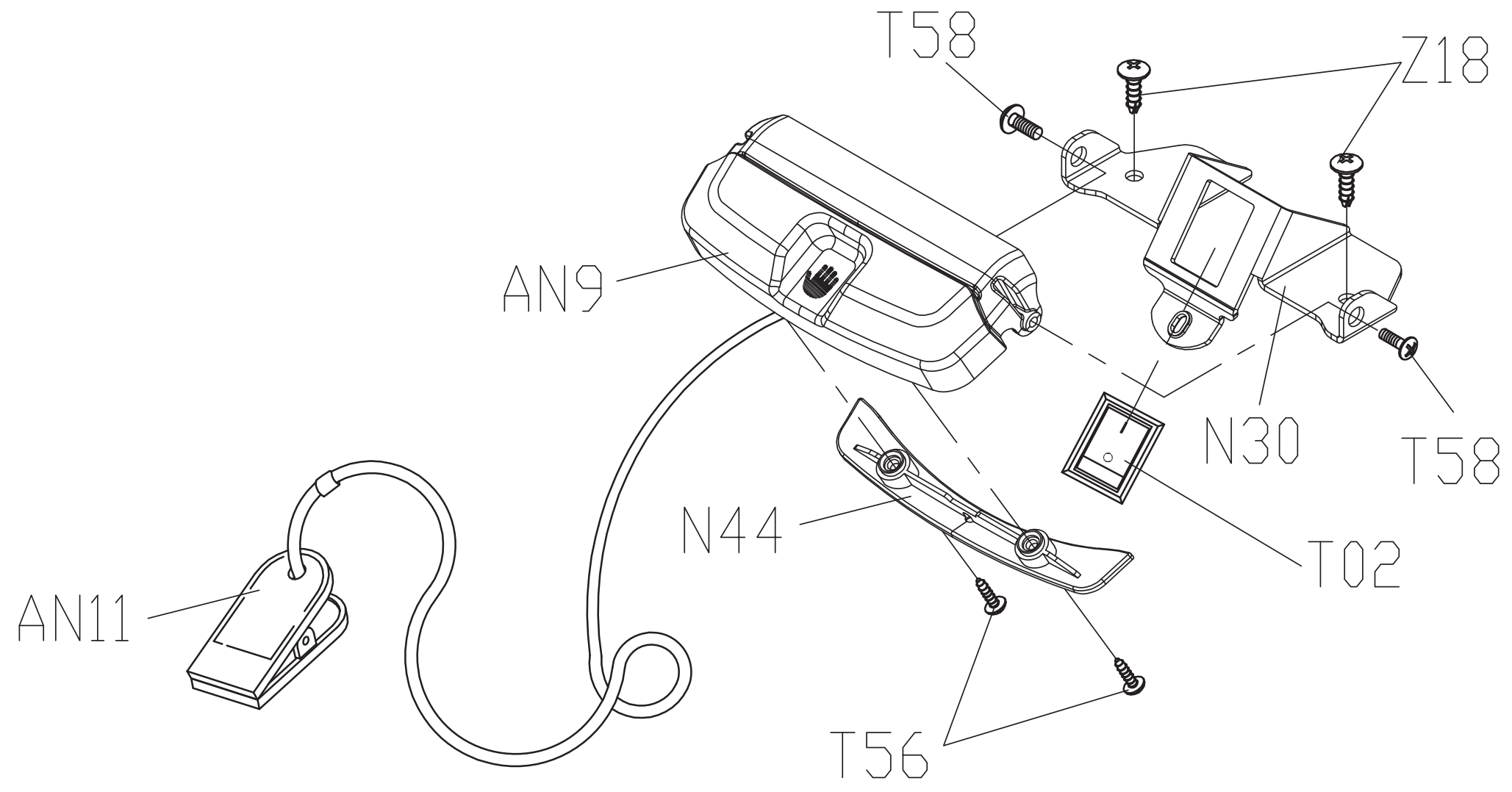


DRAWING NO	TM528E-A04
PART NAME	Explosive Diagram
PART NO	1000425805A
APPROVE	Sunny DATE 070918

SAP NO.	Model Name
MTM1106-00	T-7XINRFG-03-C

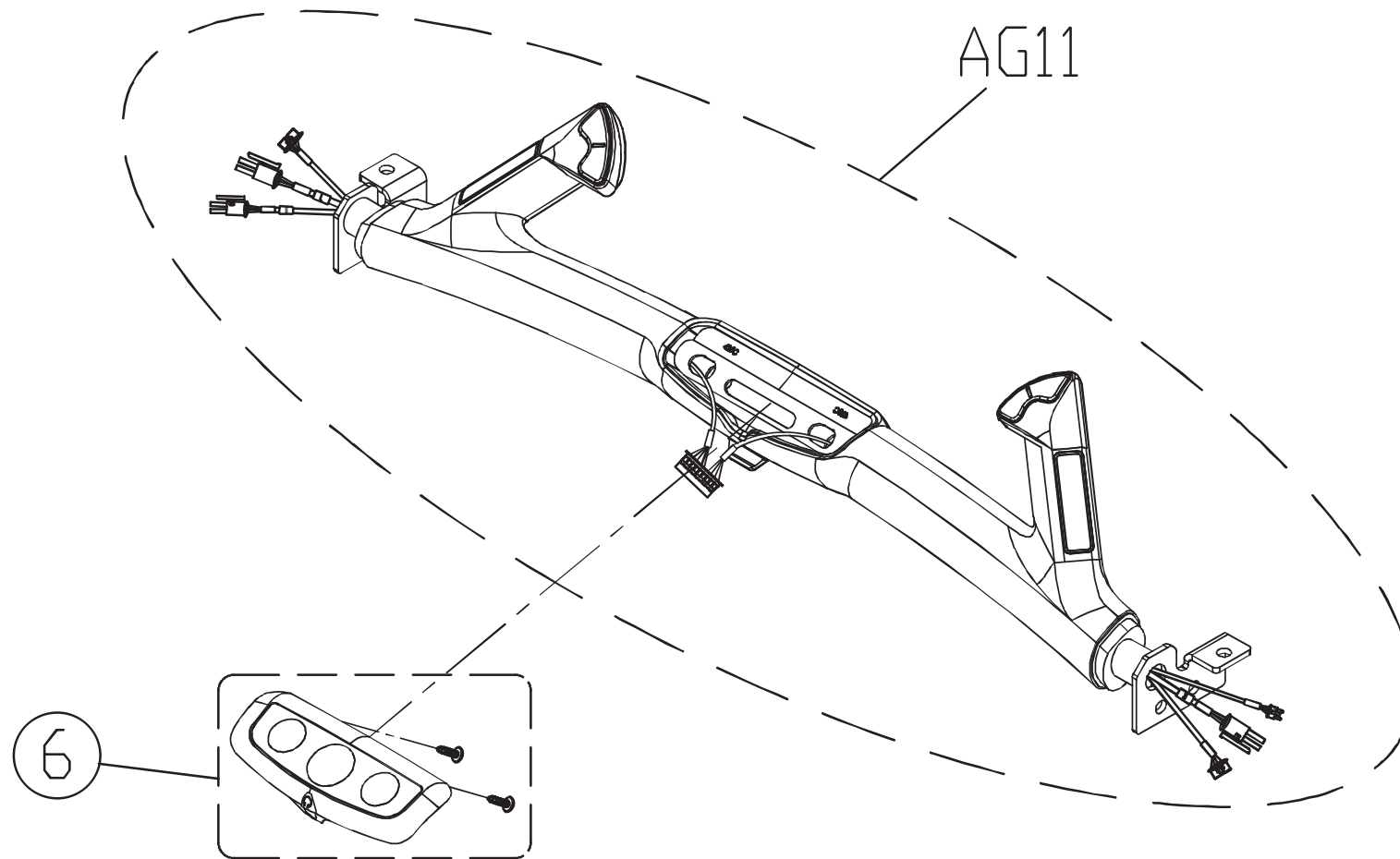


DRAWING NO	TM501-AT6		
PART NAME	SAFETY KEY SET		
PART NO	1000233602 <sup>R</sup> / <sub>B</sub>		
APPROVE	S.T.C	DATE	083112



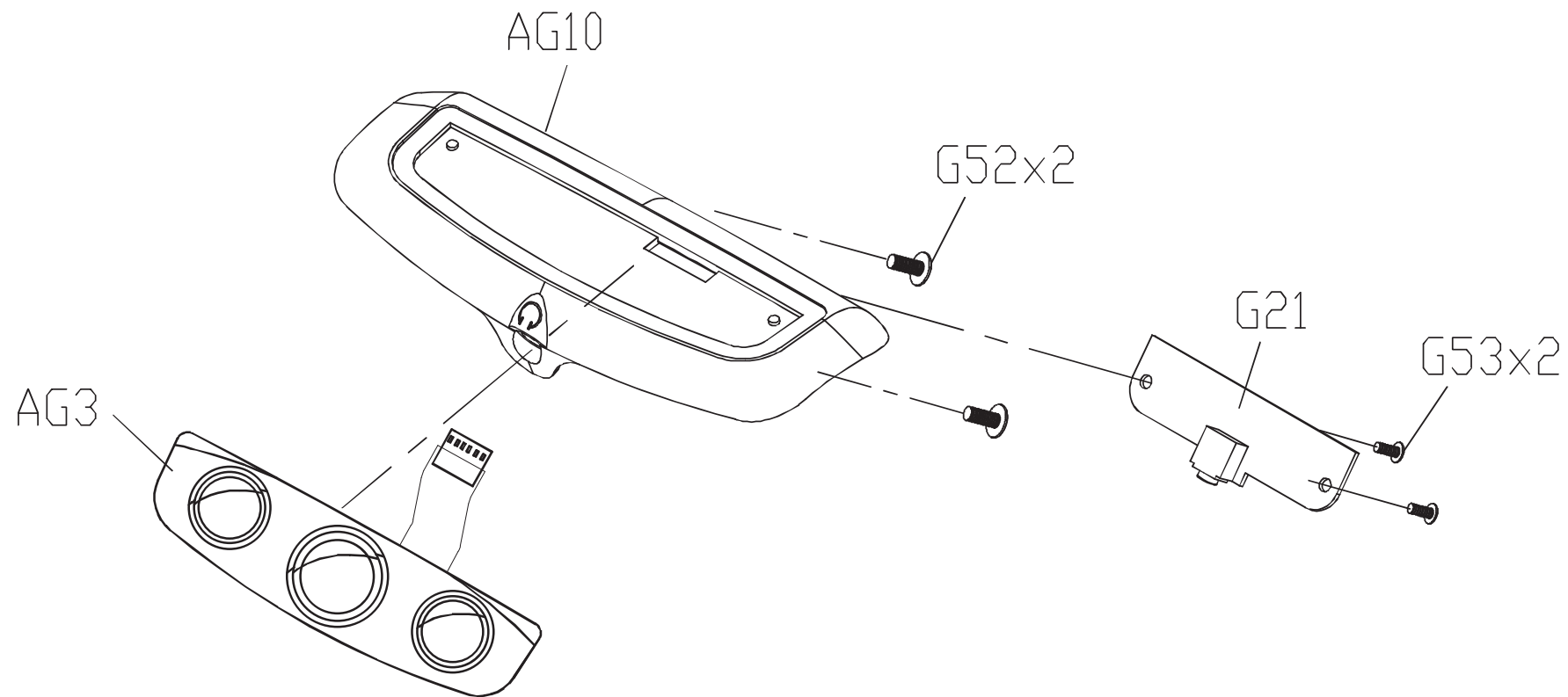


DRAWING NO	TM527-AG21		
PART NAME	Handlebar Set		
PART NO	As Attachment <sup>REV</sup> B		
APPROVE	SHUYI	DATE	052115



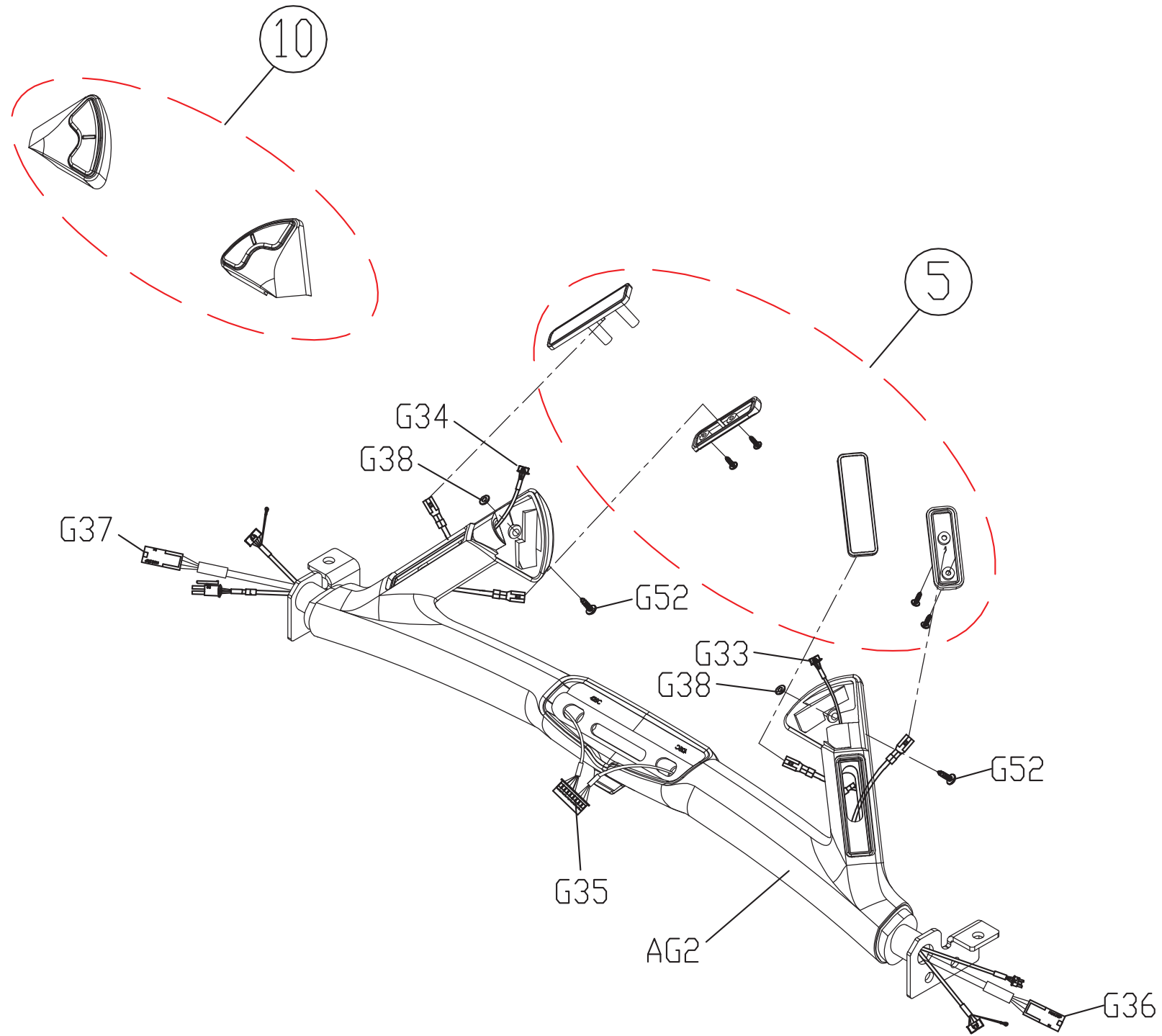
Part NO	Description
1000356217	Handlebar Set;English
1000361041	Handlebar Set;German
1000361043	Handlebar Set;Spanish
1000361045	Handlebar Set;Italian
1000361047	Handlebar Set;French
1000361050	Handlebar Set;Dutch
1000361052	Handlebar Set;Polish
1000361054	Handlebar Set;Portuguese
1000356360	Handlebar Set;Japan

DRAWING NO	TM527-AG22		
PART NAME	Quick Start Overlay Set		
PART NO	As Attachment <sup>R</sup> / <sub>E</sub> / <sub>D</sub>		
APPROVE	Heady	DATE	060116

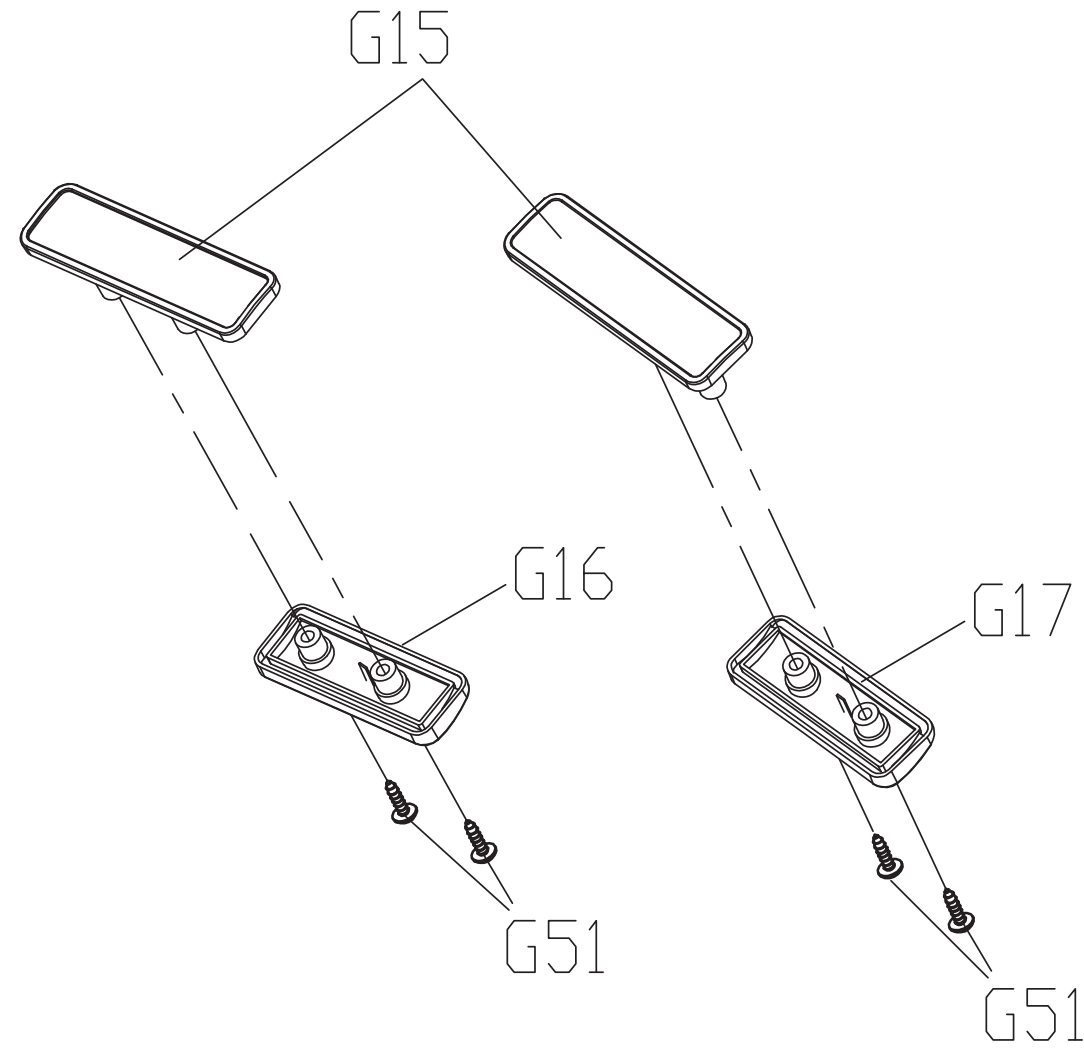


Part NO	Description
1000385846	ES/MS;English;T-7xe-05-C
1000385847	MS;German;T-7xe-05-C
1000385848	MS;Spanish;T-7xe-05-C
1000385849	MS;Italian;T-7xe-05-C
1000385850	MS;French;T-7xe-05-C
1000385851	MS;Dutch;T-7xe-05-C
1000385852	MS;Polish;T-7xe-05-C
1000385853	MS;Portuguese;T-7xe-05-C
1000385854	MS;Japan;T-7xe-05-C

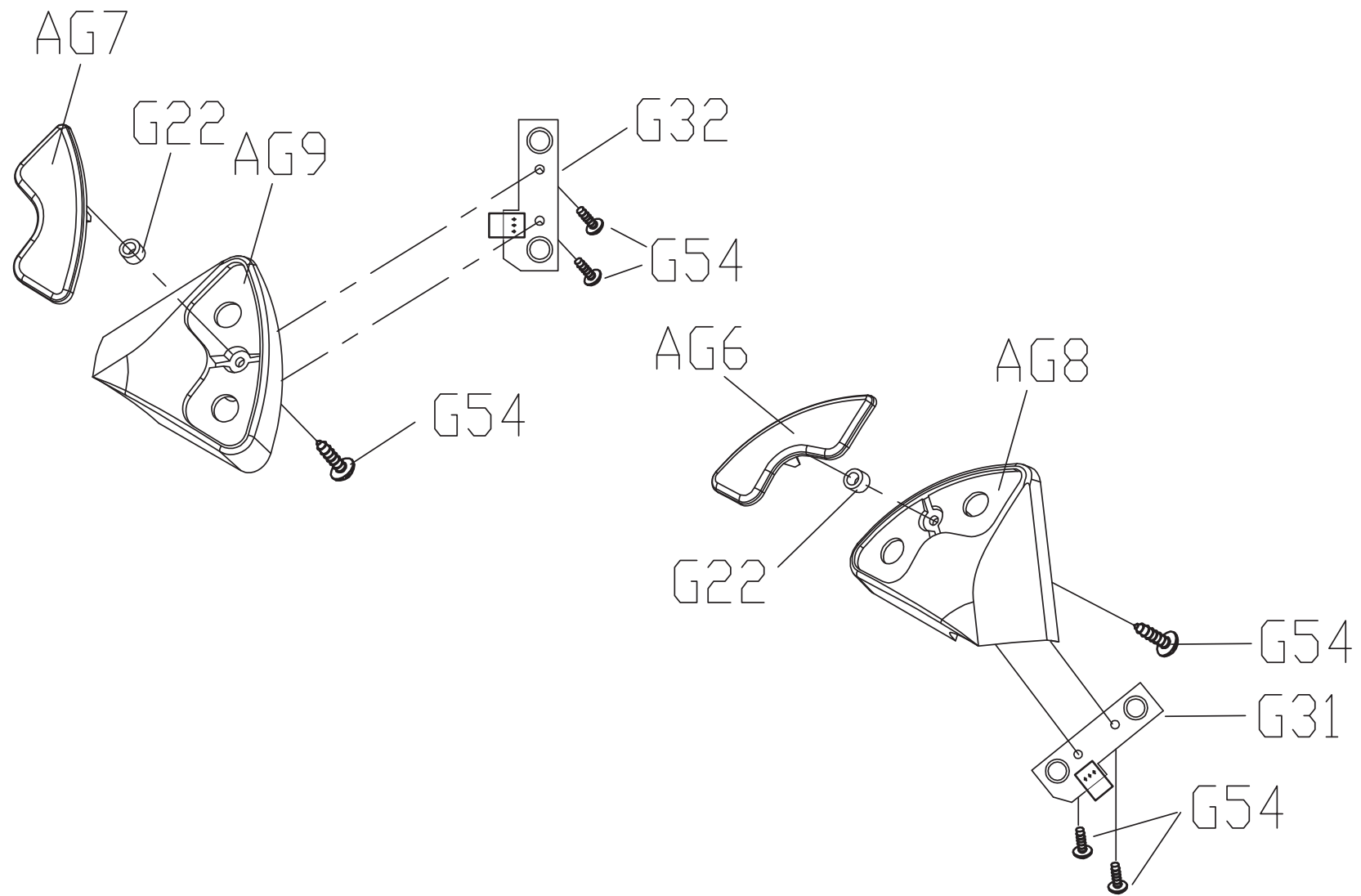
DRAWING NO	TM527-AG11		
PART NAME	Handlebar Set		
PART NO	1000356383	REV	D
APPROVE	RICK	DATE	011221




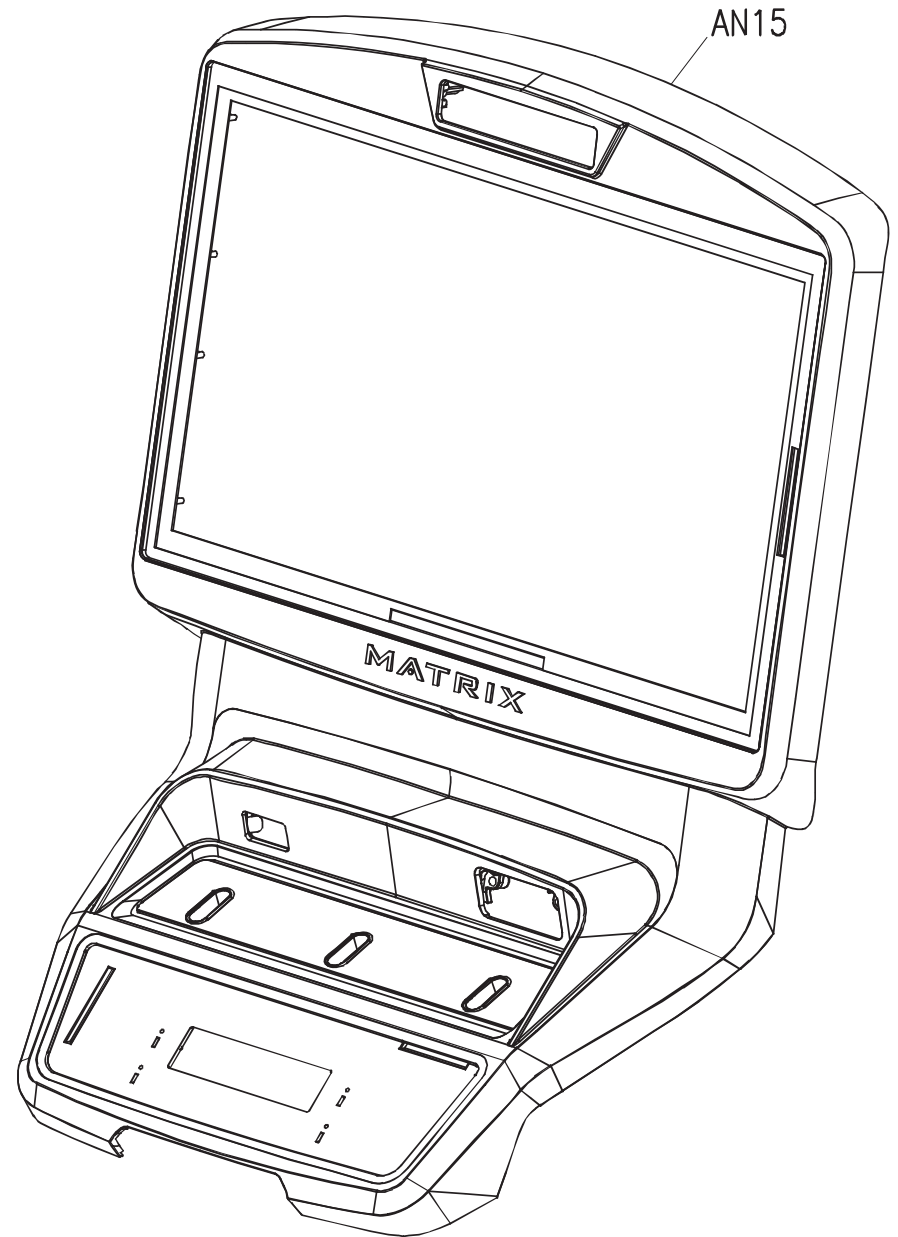
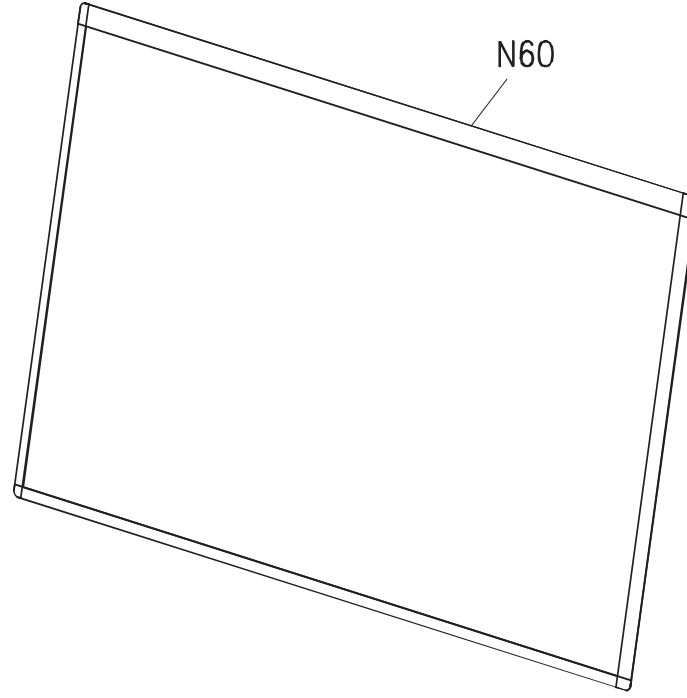
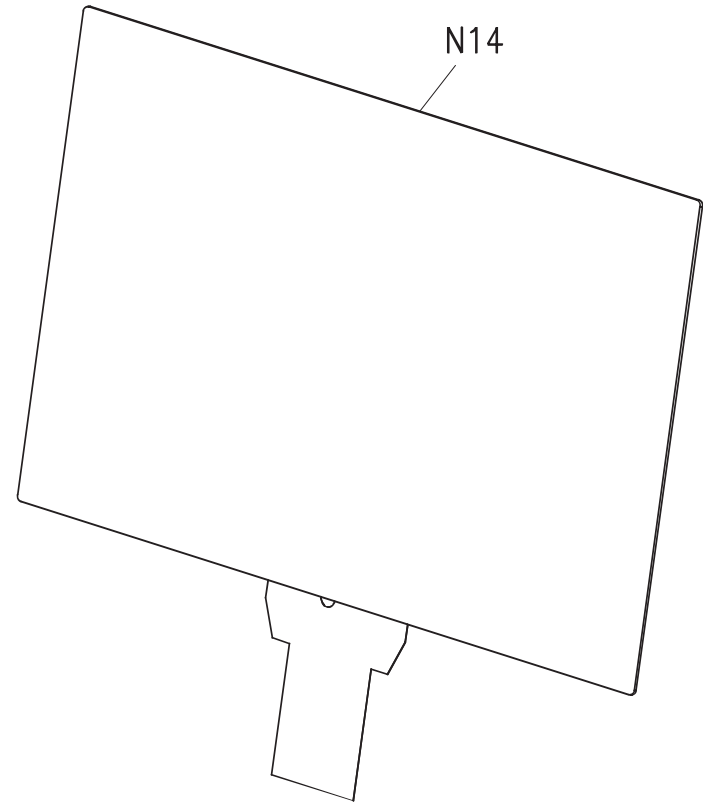
DRAWING NO	TM502-AG13		
PART NAME	HR Grip Cover Set		
PART NO	0000091816 <sup>REV</sup> A		
APPROVE	SHUYI	DATE	07.26.10



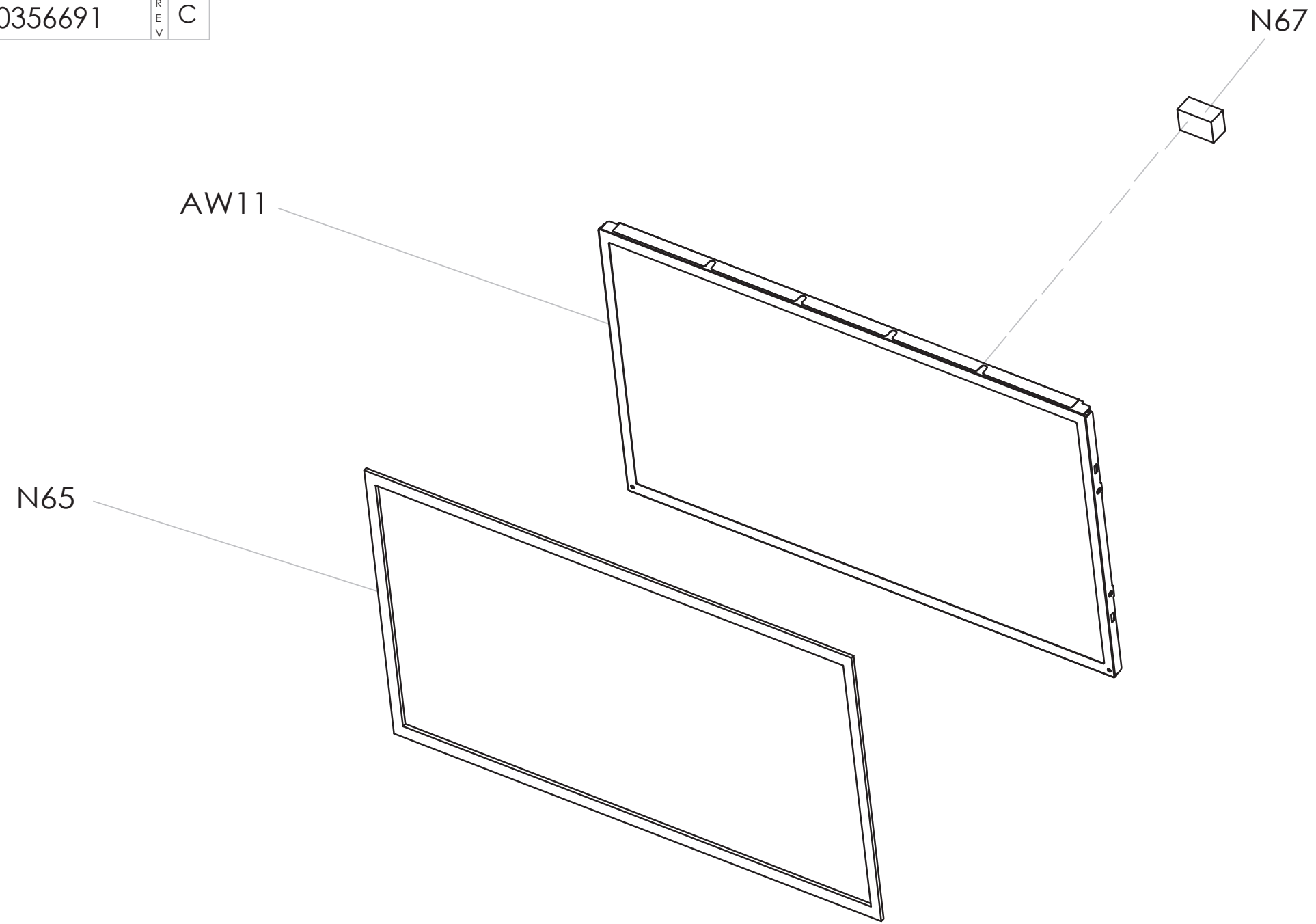
DRAWING NO	TM502-AG12		
PART NAME	Quick Key Set		
PART NO	0000089687 <sup>R</sup> <sub>1</sub> B		
APPROVE	SHUYI	DATE	101211



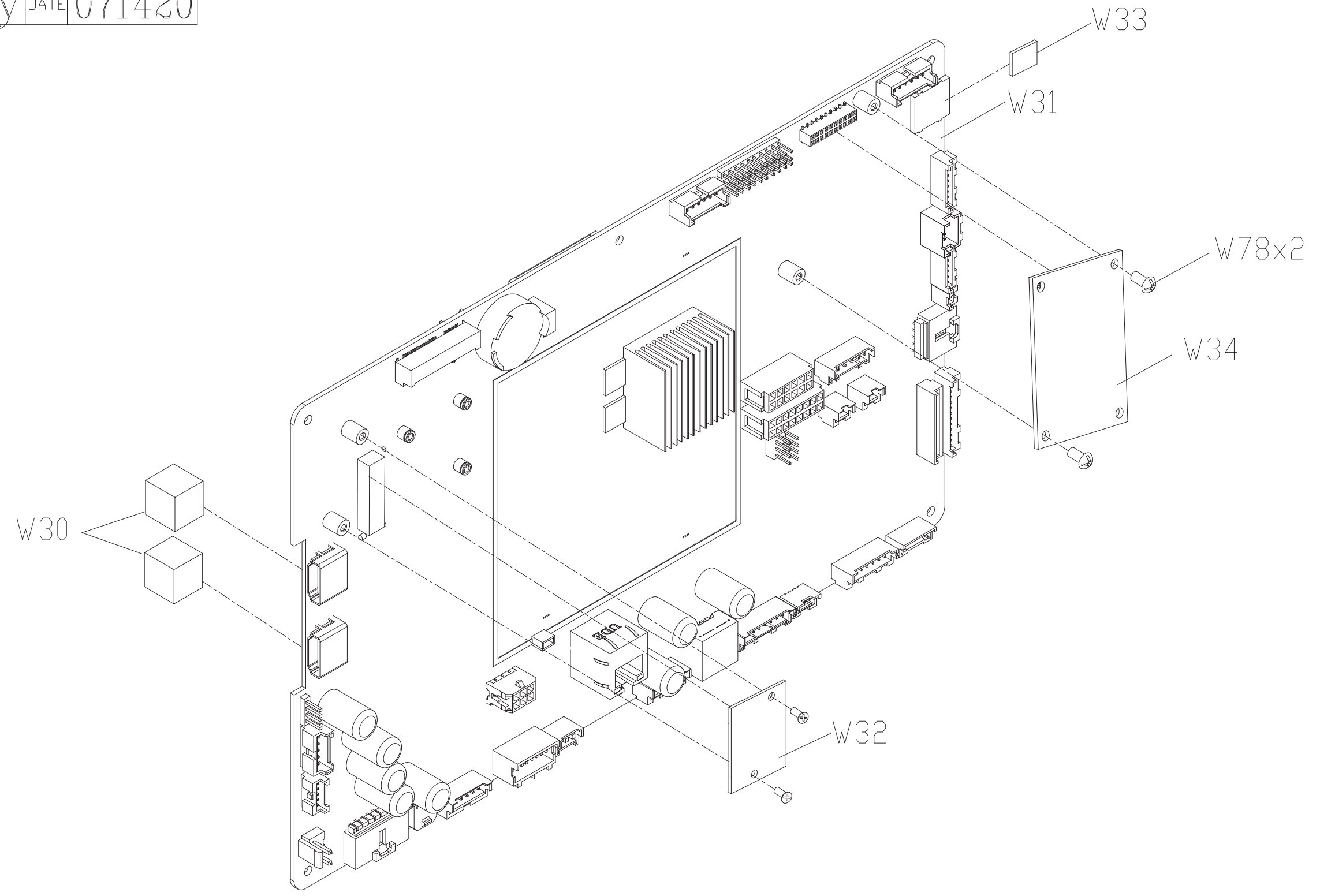
DRAWING NO	TM528-AN14		
PART NAME	Overlay Set;Touch panel		
PART NO	1000356706  A		
APPROVE	Hunter	DATE	01222015



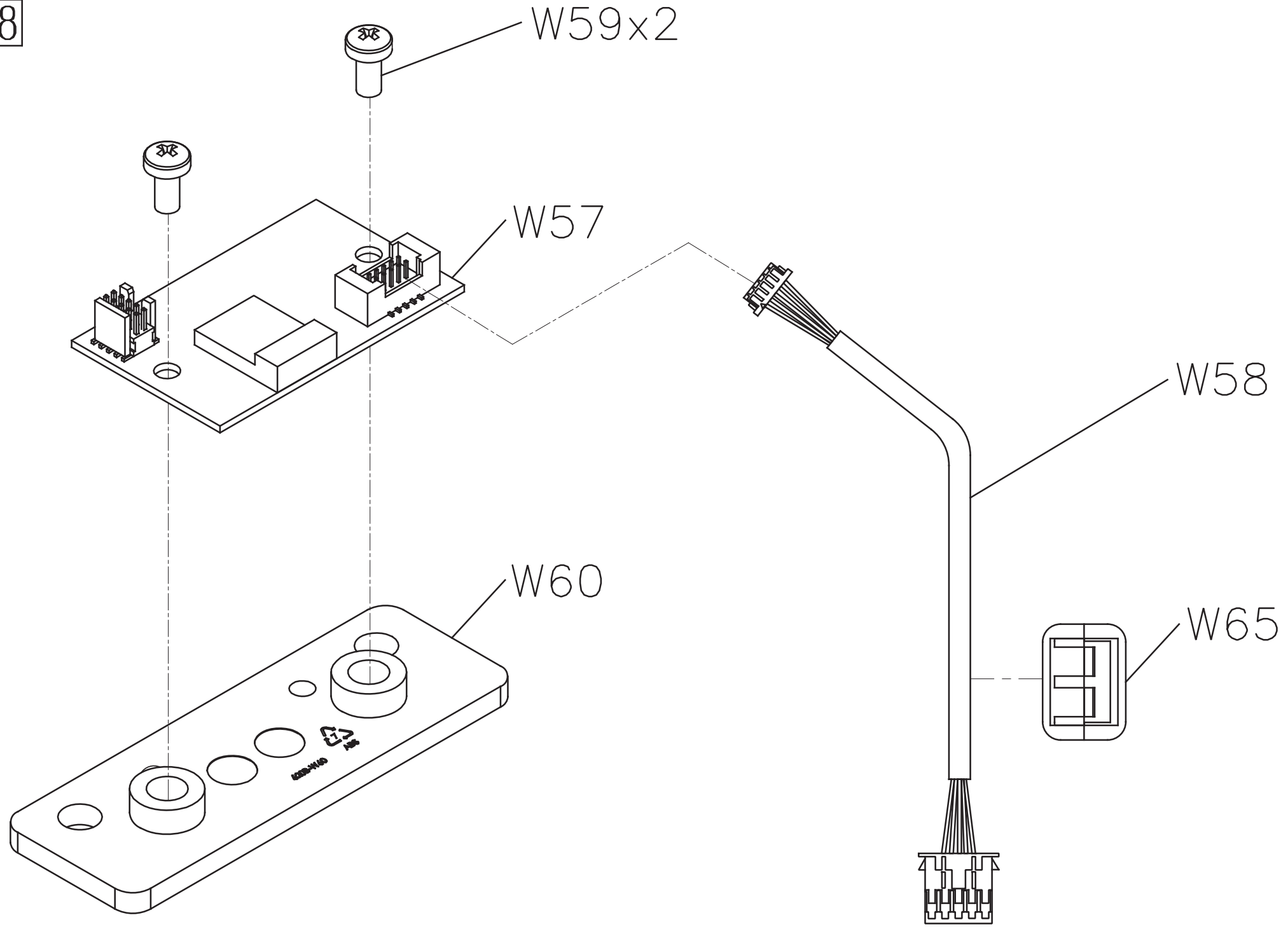
DRAWING NO 圖 號	TM528-AW10	
PART NAME(CH) 零件名稱(中文)	TFT-LCD模組	
PART NAME(EN) 零件名稱(英文)	TFT-LCS SET	
SAP PART NO SAP 料 號	1000356691	REV C



DRAWING NO	TM528B-AW1		
PART NAME	Control Board Set		
PART NO	1000382051	REV	N
APPROVE	Sunny	DATE	071420



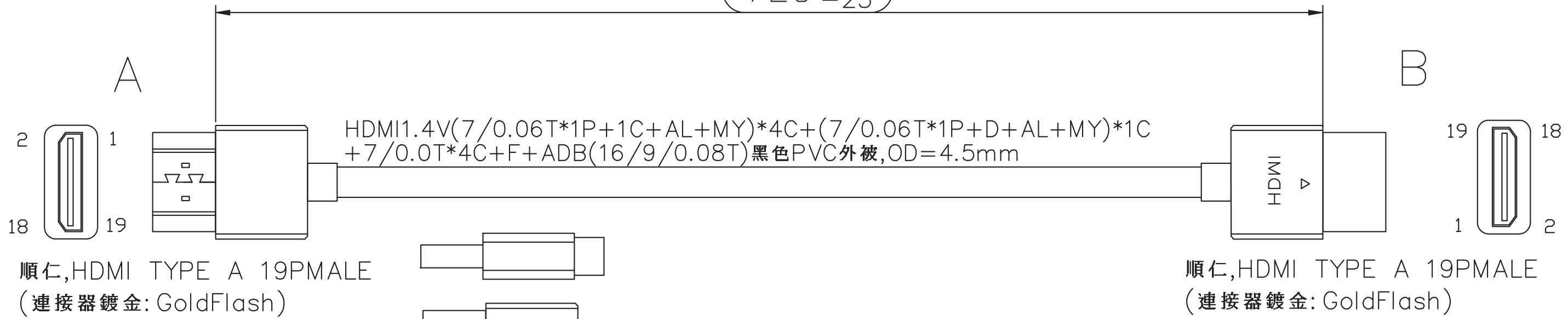
DRAWING NO	TM527B-AW32		
PART NAME	Gymkit;TM527B		
PART NO	1000421640 REV B		
APPROVE	JISHENG	DATE	020918



UNLESS OTHERWISE SPECIFIED  
TOLERANCES ARE :

LENGTH		ANGLE	
X.	±1.5	X.	±1°
X.X	±0.5	X.X	±0.5°
X.XX	±0.20	X.XX	±0.10°
X.XXX	±0.100		

725  $\pm$  25



A: HOLE	B: HOLE	FUNCTION	NOTE
1	1	TMDS data2+	1P
2	2	TMDS data2 shield	
3	3	TMDS data2-	1P
4	4	TMDS data1+	
5	5	TMDS data1 shield	1P
6	6	TMDS data1-	
7	7	TMDS data0+	1P
8	8	TMDS data0 shield	
9	9	TMDS data0-	1P
10	10	TMDS clock+	
11	11	TMDS clock shield	1P
12	12	TMDS clock-	
13	13	CEC	1C
15	15	SCL	1C
14	14	Utility/HEAC+	1P
19	19	Hot Plug Detect/HEAC-	
17	17	DDC/CEC GND/HEAC Shield	1C
16	16	SDA	
18	18	+5V Power	1C
金屬	金屬	SHIELDING	1C



- 備註:
- 需符合HDMI協會認證, 1.4aVer規範及ATC測試  
Must be comply with the HDMI Association certification, 1.4aVer specification and ATC test
  - 需通過EMI測試(Under 55022 limit line)  
Must pass EMI test(Under 55022 limit line)
  - 線材拉力值及最大阻抗值請見JS025-01  
Wire pullout and maximum resistance, please refer JS025-01
  - 圖面標示物料需符合RoHS、Reach法規要求  
Comply with the specification of RoHS and Reach

						UNIT 單位	mm	MODEL NO 機種	TOUCH-C	狀態 STATE	PD
						SCALE 比例	FREE	DRAWING NO 圖號	TM756-W94		
						SHEET SIZE 圖紙大小	A4H	PART NAME(CH) 零件名稱(中文)	HDMI延長線		
								PART NAME(EN) 零件名稱(英文)	HDMI EXT Wire		
								SAP PART NO SAP料號	1000456739	REV	B
B	21020146	RELEASE FOR TOOLING	CHENXY	031021	ADDIE	030321		喬山健康科技(台灣)有限公司 JOHNSON HEALTH TEC. (TAIWAN) CO.,LTD			O
LET 項目	ECO 編號	DESCRIPTION 修改內容	APPROVER 審核	DATE 日期	DESIGN 設計	DATE 日期	JOHNSON	喬山健康科技(上海)有限公司 JOHNSON HEALTH TEC (SHANGHAI) CO LTD			