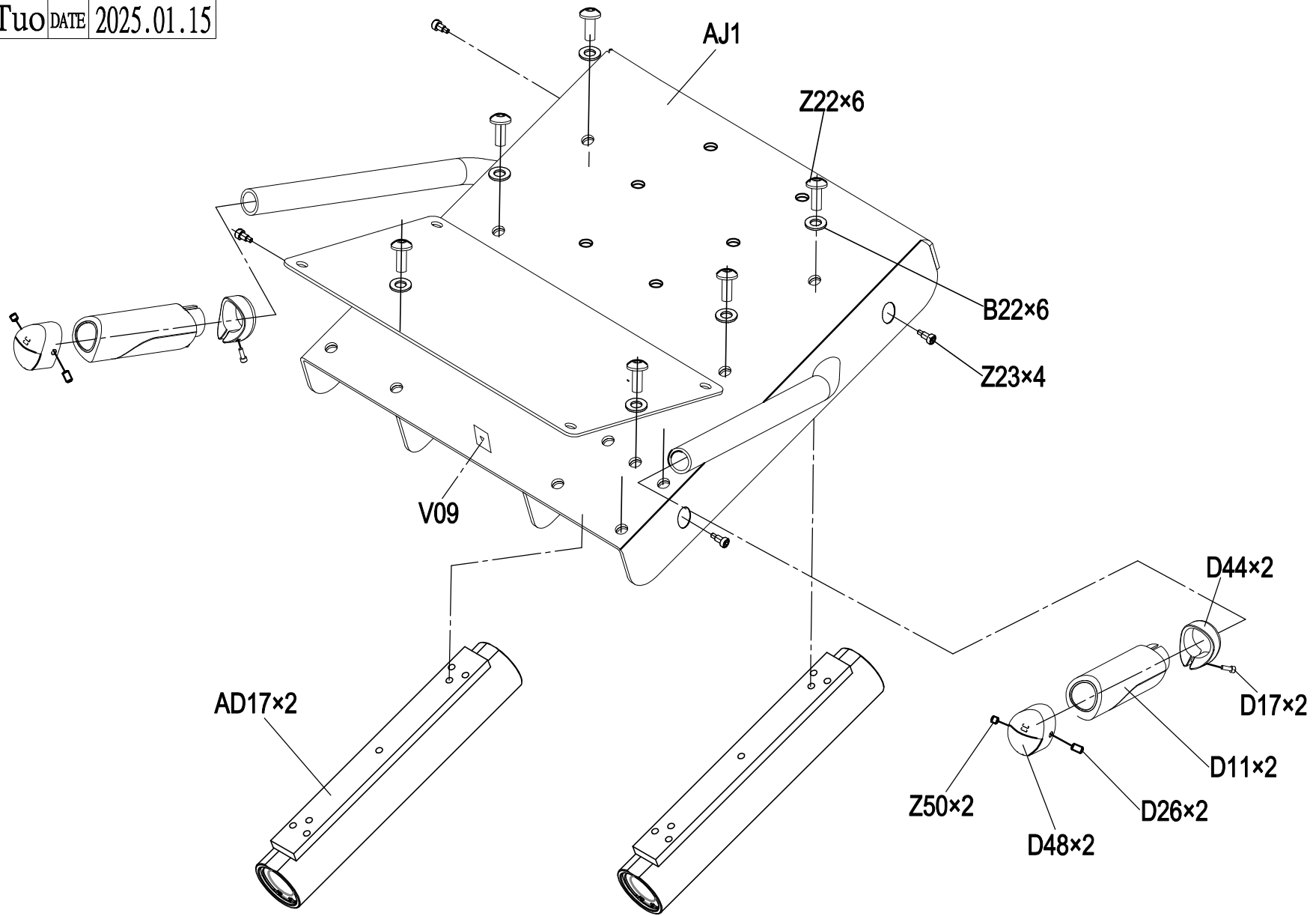
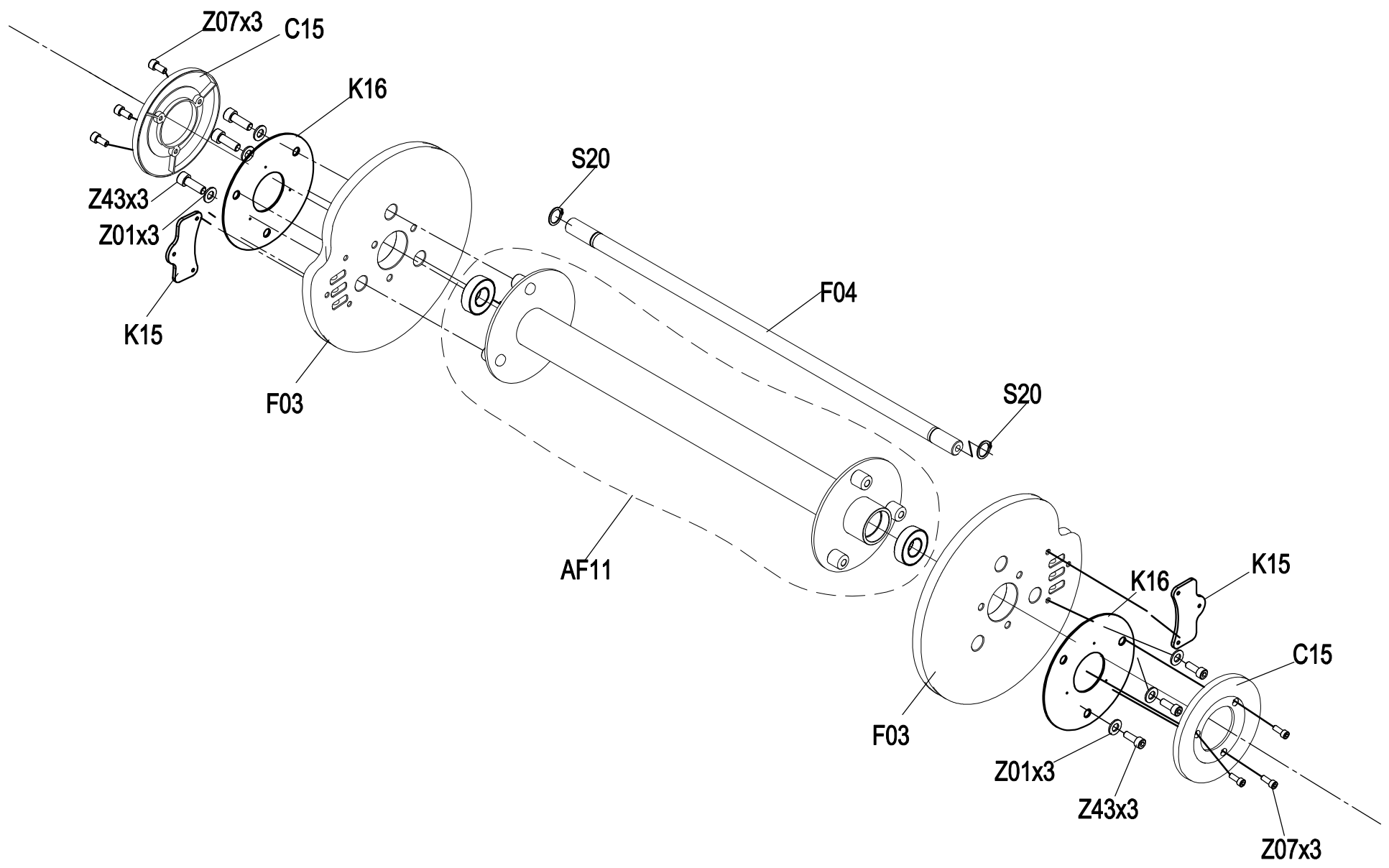




DRAWING NO	GM114H-SF01		
PART NAME	Seat Set;GM114H		
PART NO	1000529110	REV	A
APPROVE	Chen Tuo	DATE	2025.01.15

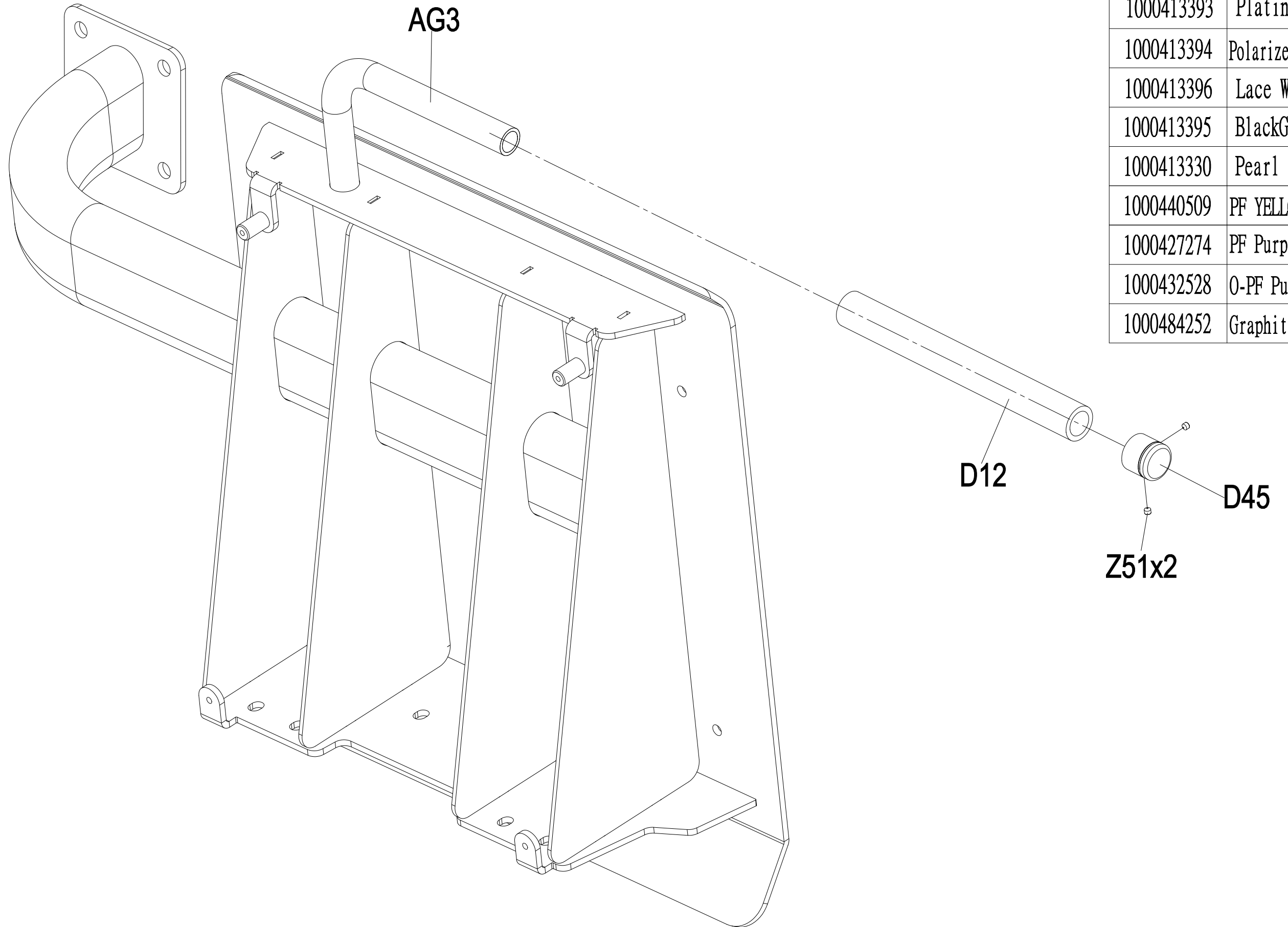


DRAWING NO	GM114H-SF02		
PART NAME	Cam Set;GM114H		
PART NO	1000529121	REV	A
APPROVE	Chen Tuo	DATE	2024.01.15

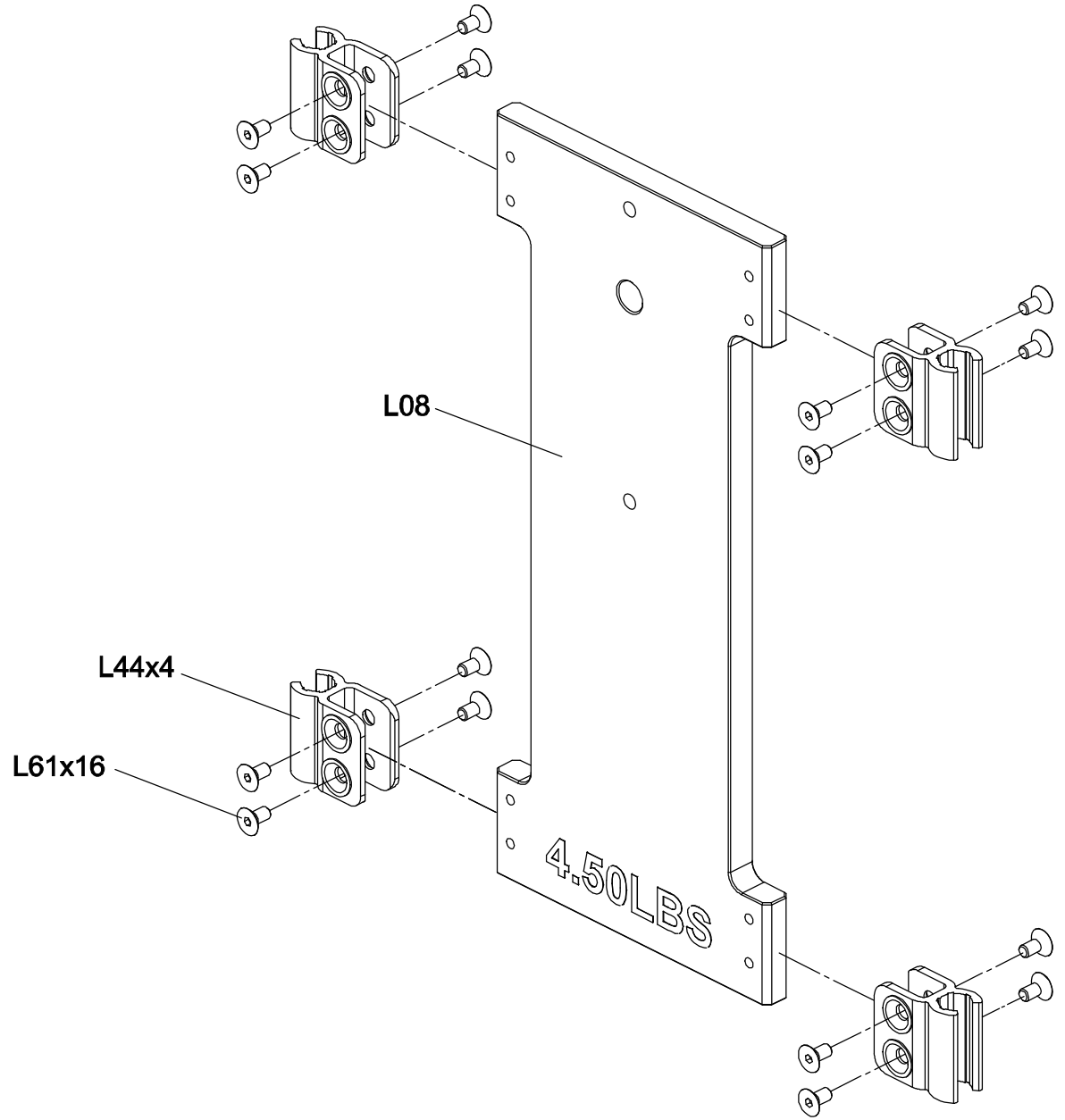


DRAWING NO	GM114-SF03		
PART NAME	Pedal Tube Set;;GM114		
PART NO	See Chart	REV	A
APPROVE	SuYehua	DATE	2022.11.14

Part NO.	Color
1000413391	Iced Sliver
1000413392	Mat Black
1000413393	Platinum
1000413394	Polarized Titanium
1000413396	Lace White
1000413395	BlackGlossy
1000413330	Pearl White
1000440509	PF YELLOW RAL1023
1000427274	PF Purple RAL4008
1000432528	O-PF Purple
1000484252	Graphite Gray



DRAWING NO	GM111F-SF01		
PART NAME	Incremental Weight Plate Set		
PART NO	1000504481	REV	A
APPROVE	Zhaolin	DATE	2024.02.01



DRAWING NO	GM111F-SF02		
PART NAME	Incremental Weight Plate Set		
PART NO	1000504482	REV	A
APPROVE	Zhaolin	DATE	2024.02.01

