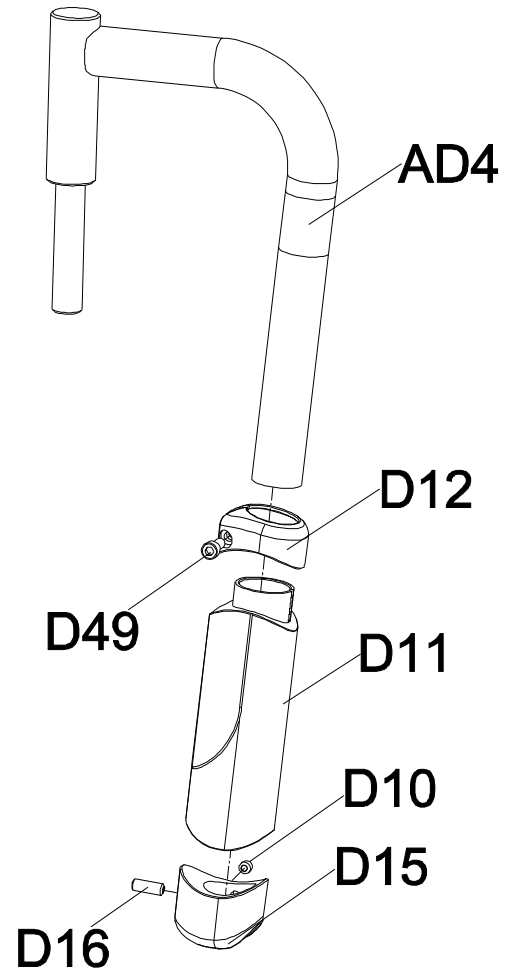
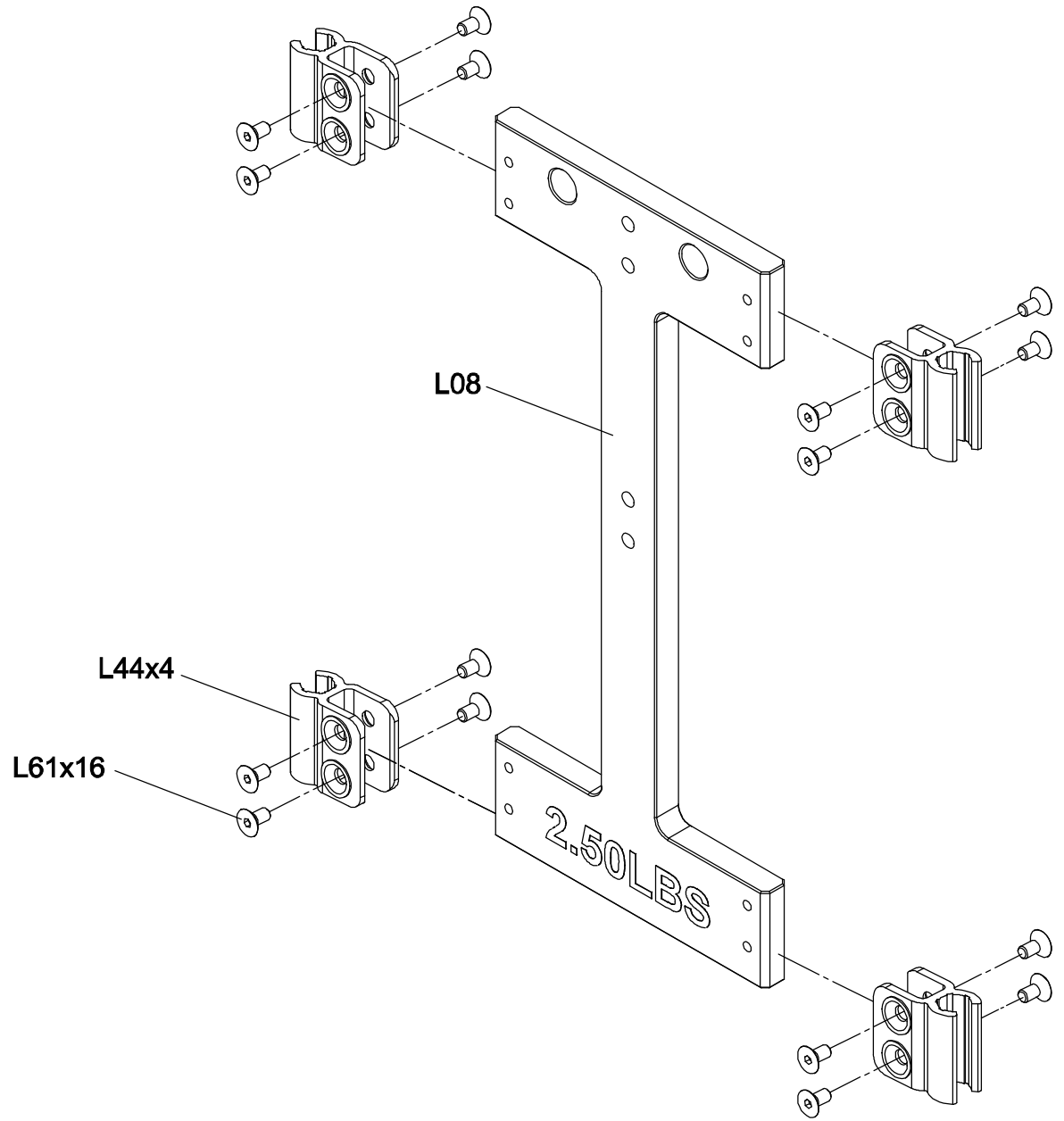


DRAWING NO	GM58-SF01		
PART NAME	Handle set		
PART NO	See Chart	REV	A
APPROVE	Zero	DATE	04.29.2019

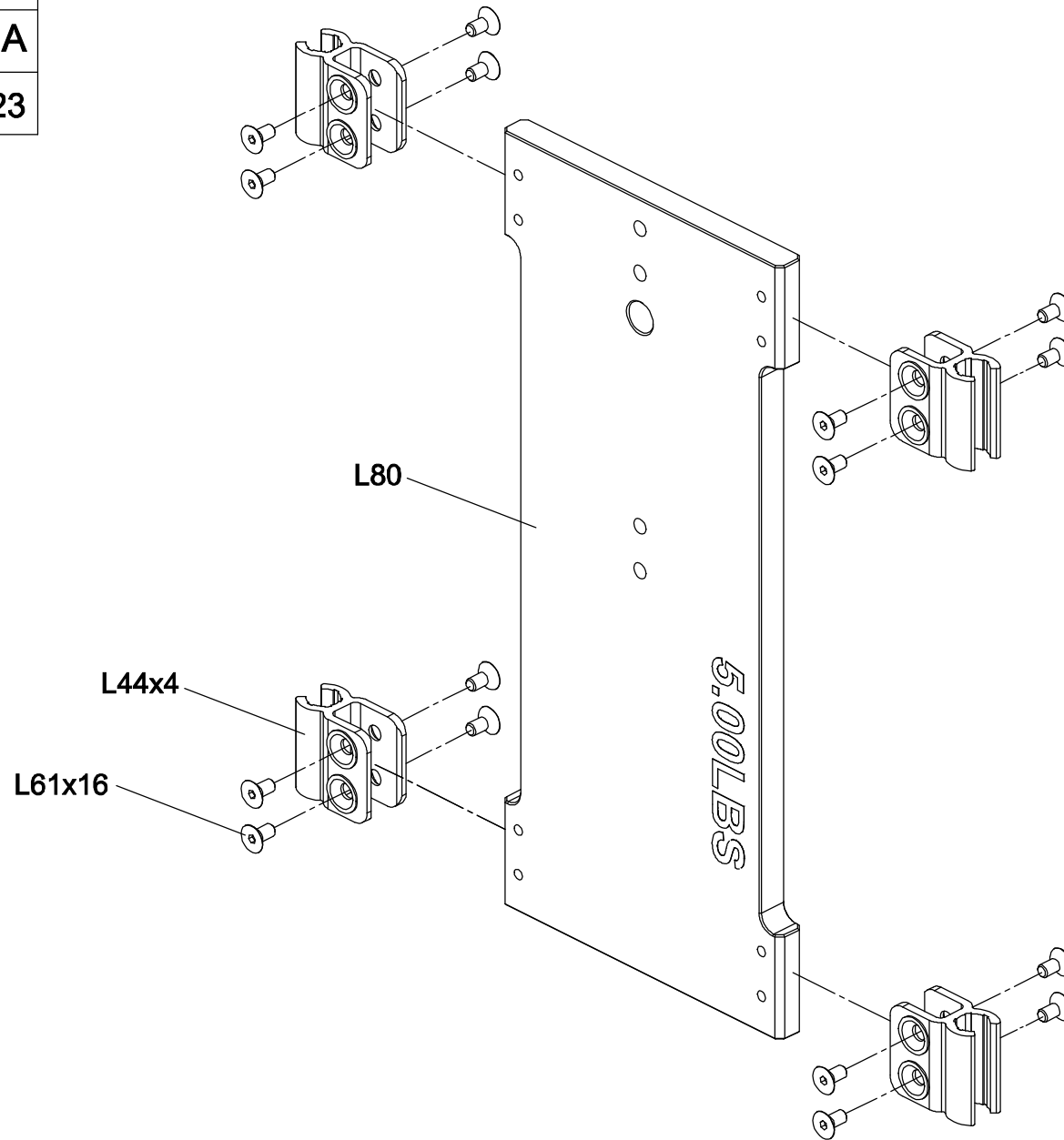


Part NO.	Color
1000415561	Iced Sliver
1000415563	Platinum
1000415809	Polarized Titanium
1000415810	Lace White
1000415811	Pearl White
1000415812	Mat Black
1000415813	BlackGlossy
1000427628	PF Purple RL4008
1000440936	PF Yellow RAL1023

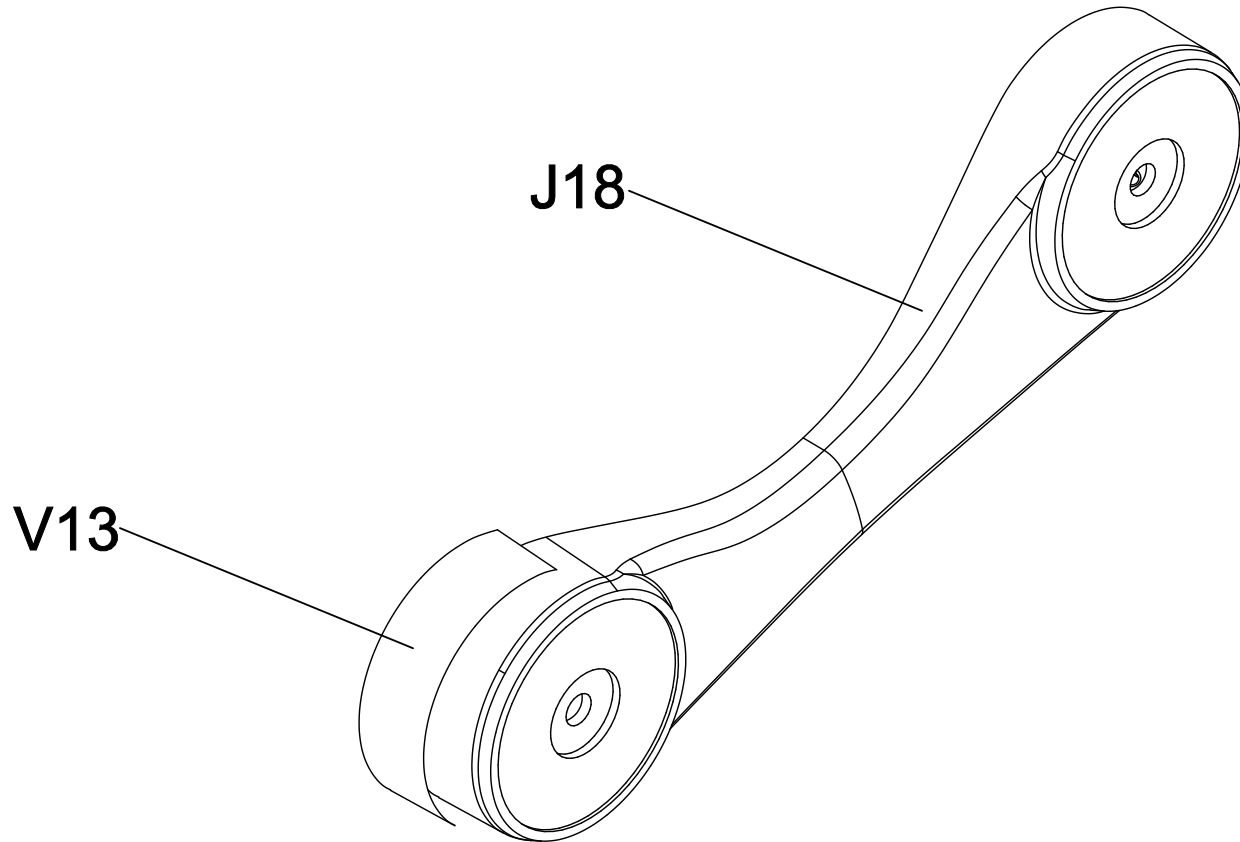
DRAWING NO	GM121F-AL2		
PART NAME	Incremental Weight Plate Set		
PART NO	1000504336	REV	A
APPROVE	Xugang	DATE	2024.01.23



DRAWING NO	GM121F-AL3		
PART NAME	Incremental Weight Plate Set		
PART NO	1000504347	REV	A
APPROVE	Xugang	DATE	2024.01.23



DRAWING NO	GM124H-SF04		
PART NAME	Seat Connect Rod;Right Down		
PART NO	1000522872	REV	A
APPROVE	Wangzhiqing	DATE	09.18.24



DRAWING NO	GM124H-SF05		
PART NAME	Seat Connect Rod;Left Down		
PART NO	1000522875	REV	A
APPROVE	Wangzhiqing	DATE	09.18.24

