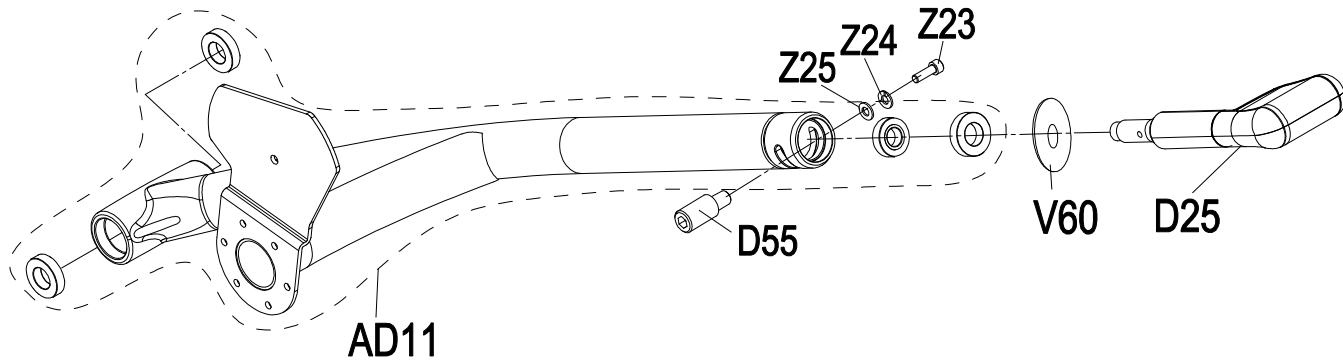



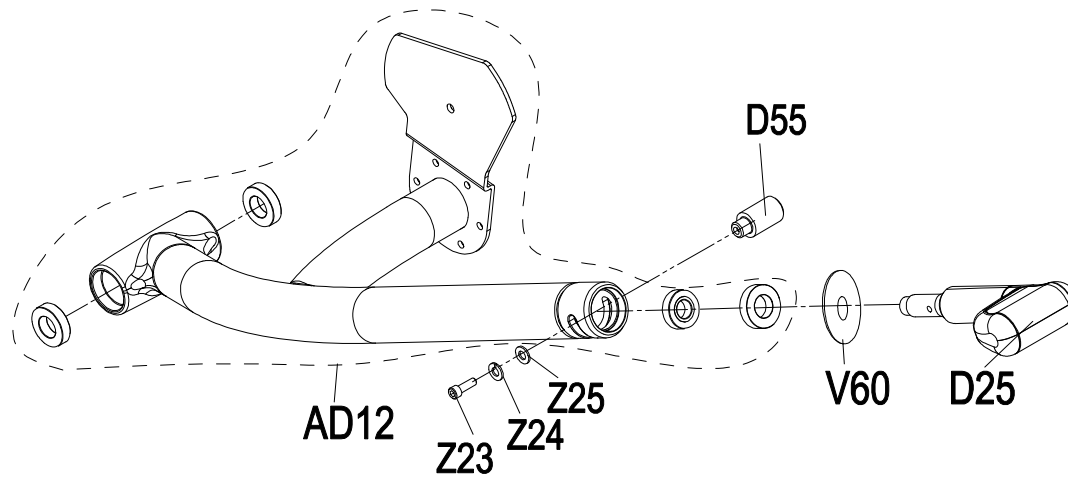
DRAWING NO	GM123-SF01		
PART NAME	Pedal Arm set;Left		
PART NO	See Chart		B
APPROVE	SuYehua	DATE	2024.01.24

Part NO.	Color
1000416946	Iced Sliver
1000416947	Platinum
1000416948	Polarized Titanium
1000416949	Lace White
1000416954	Pearl White
1000416955	Mat Black
1000416957	Black Glossy
1000504190	Graphite Grey



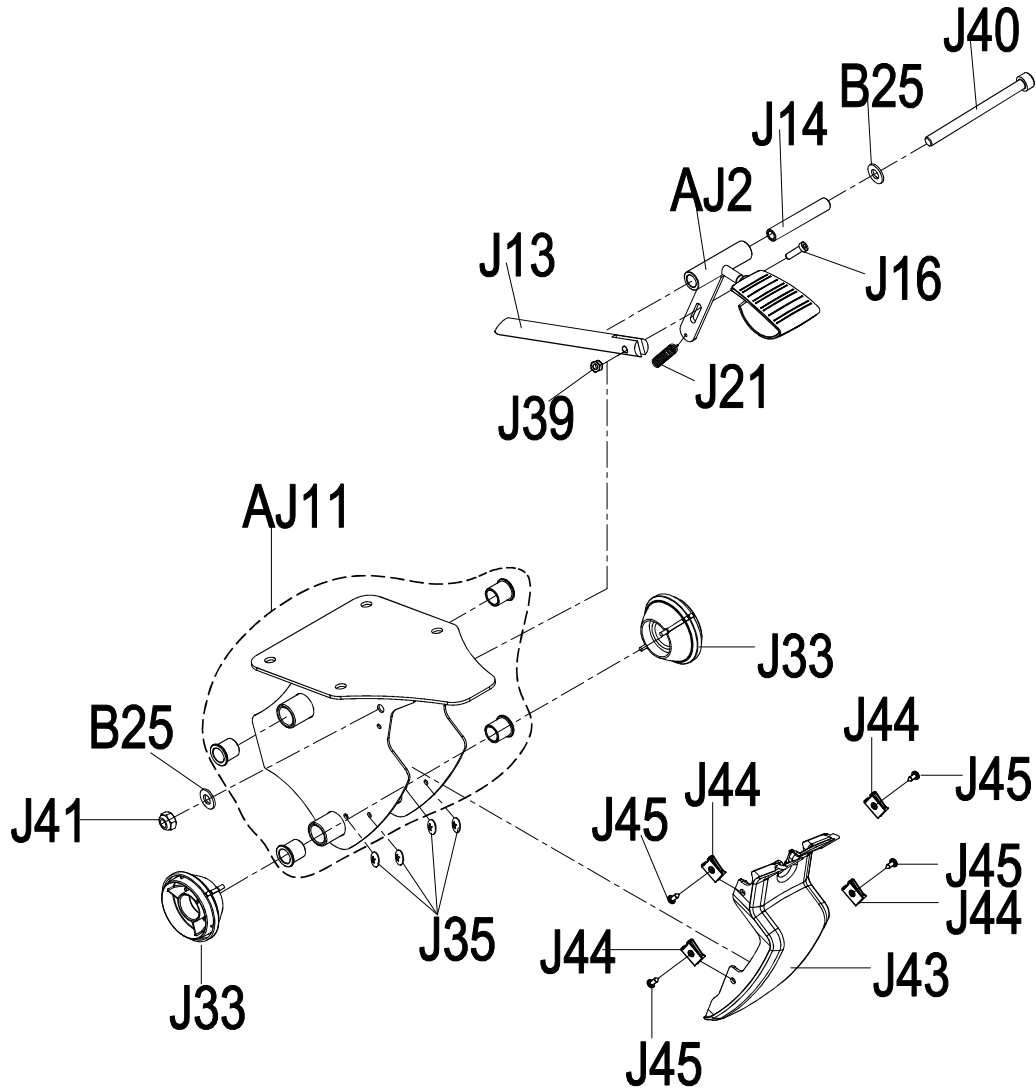
DRAWING NO	GM123-SF02		
PART NAME	Pedal Arm set;Right		
PART NO	See Chart		B
APPROVE	SuYehua	DATE	2024.01.24

Part NO.	Color
1000416959	Iced Sliver
1000416960	Platinum
1000416961	Polarized Titanium
1000416962	Lace White
1000416963	Pearl White
1000416964	Mat Black
1000416965	Black Glossy
1000504191	Graphite Grey

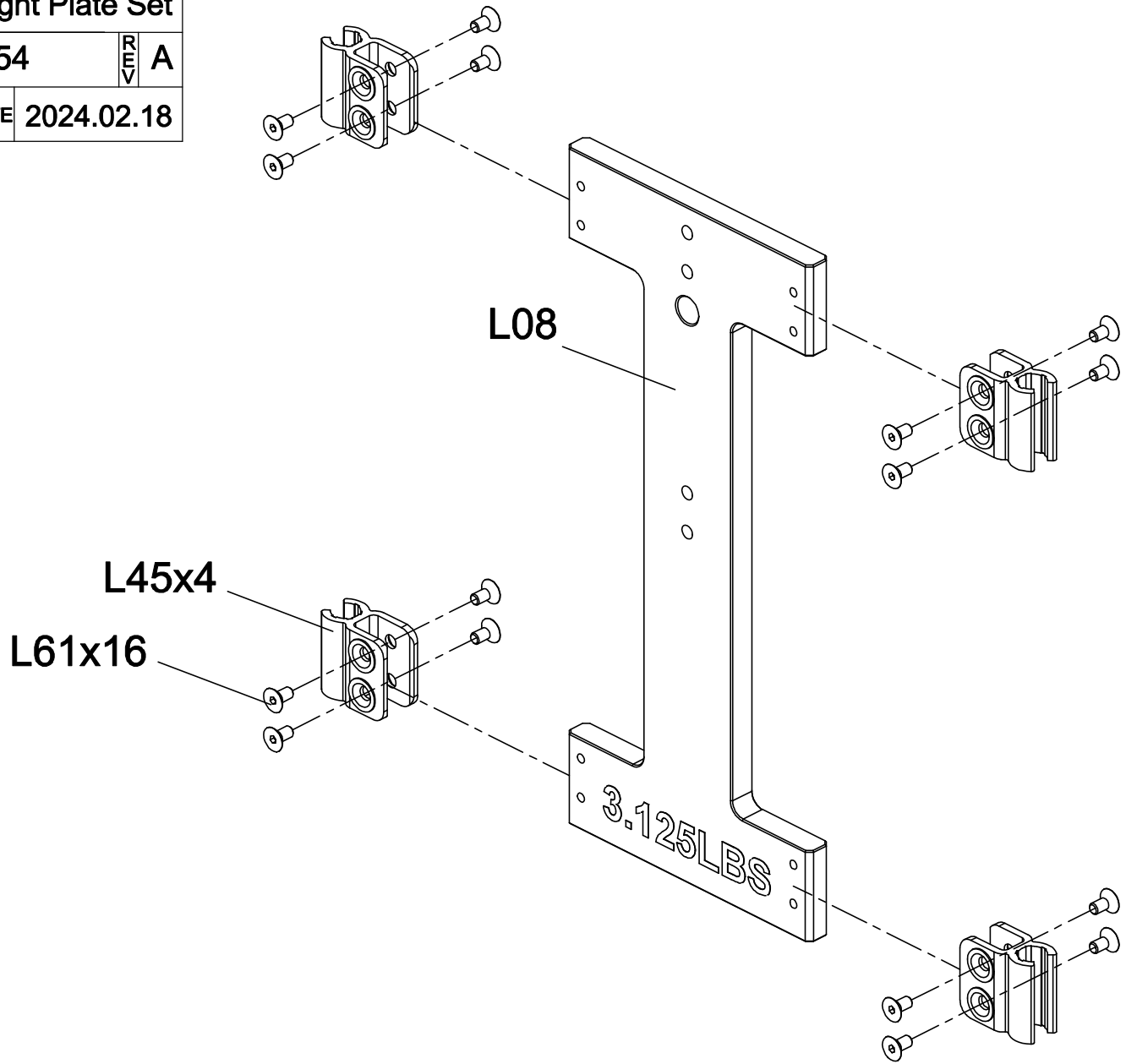


DRAWING NO	GM118H-SF05		
PART NAME	Seat Adjustable Set		
PART NO	See Chart		A
APPROVE	Wangzhiqing	DATE	09.10.2024

Part NO.	Color
1000522844	Mat Black



DRAWING NO	GM113F-SF03		
PART NAME	Incremental Weight Plate Set		
PART NO	1000504954	REV	A
APPROVE	Yang Hong wu	DATE	2024.02.18



DRAWING NO	GM113F-SF04		
PART NAME	Incremental Weight Plate Set		
PART NO	1000504962	REV	A
APPROVE	Yang Hong wu	DATE	2024.02.18

