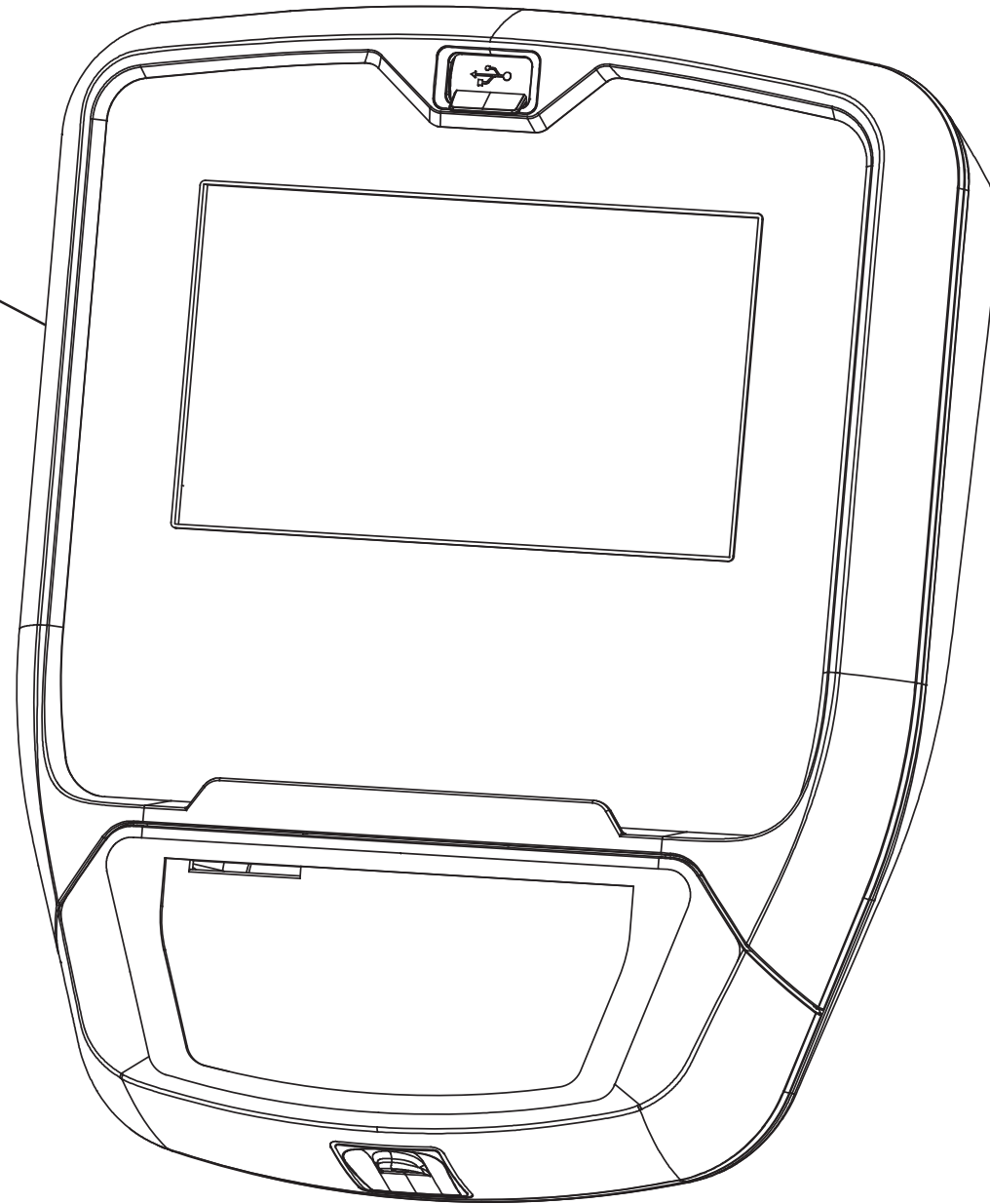


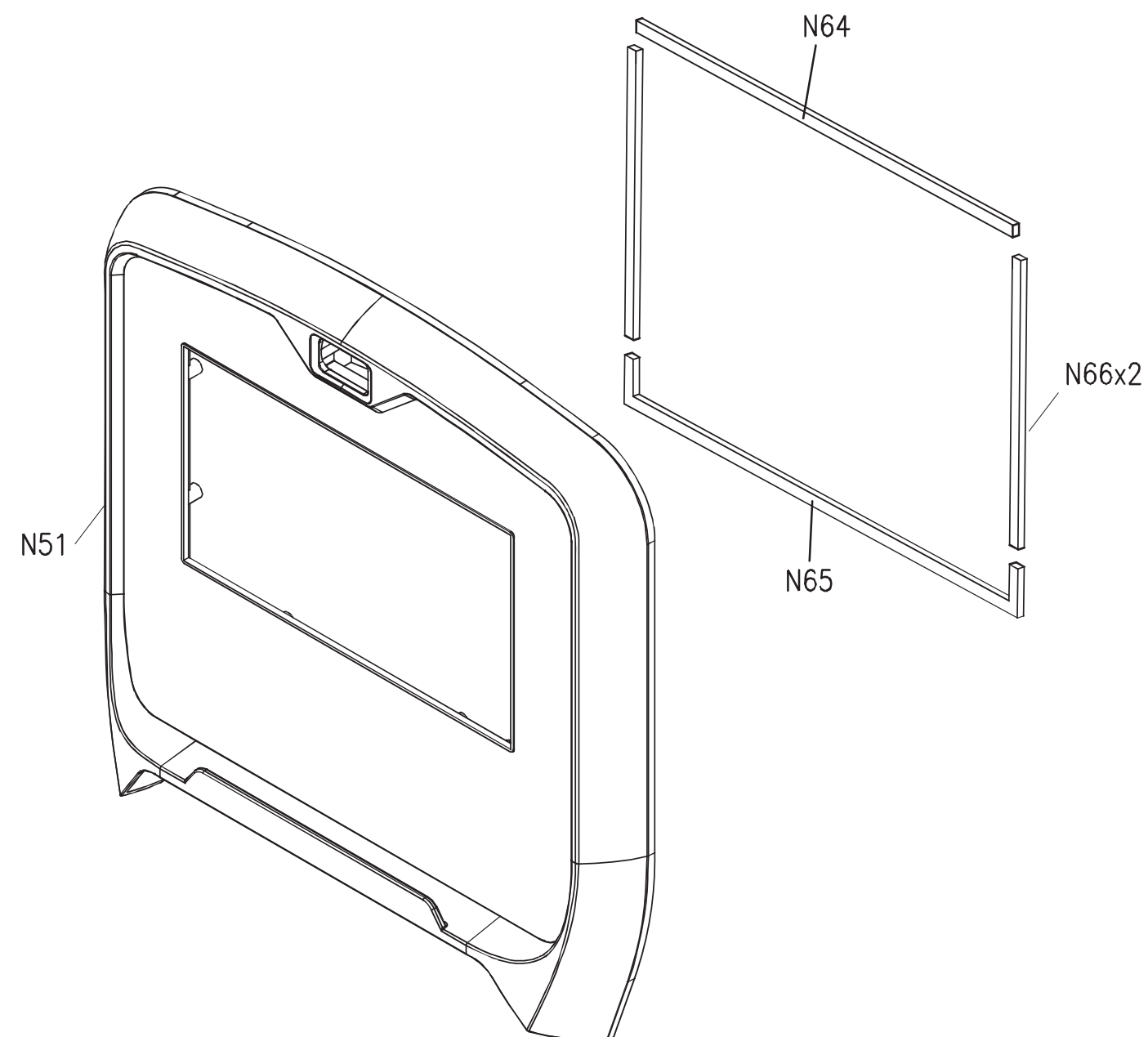
DRAWING NO	EP625G-A04		
PART NAME	ASSEMBLY VIEW		
PART NO	1000425412 ^R / _V A		
APPROVE	Sunny	DATE	070518

SAP PART NO
MEP1233-00

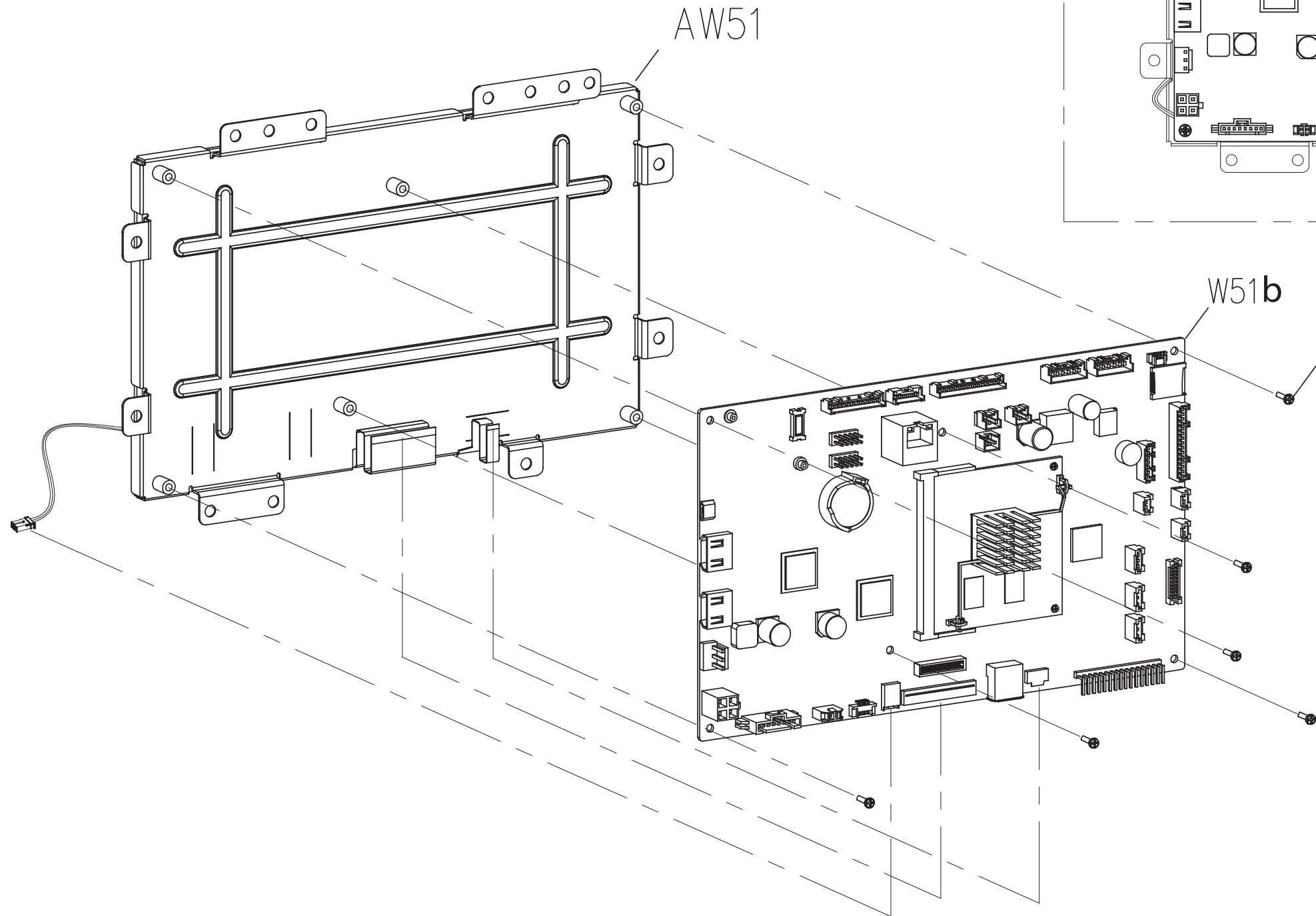
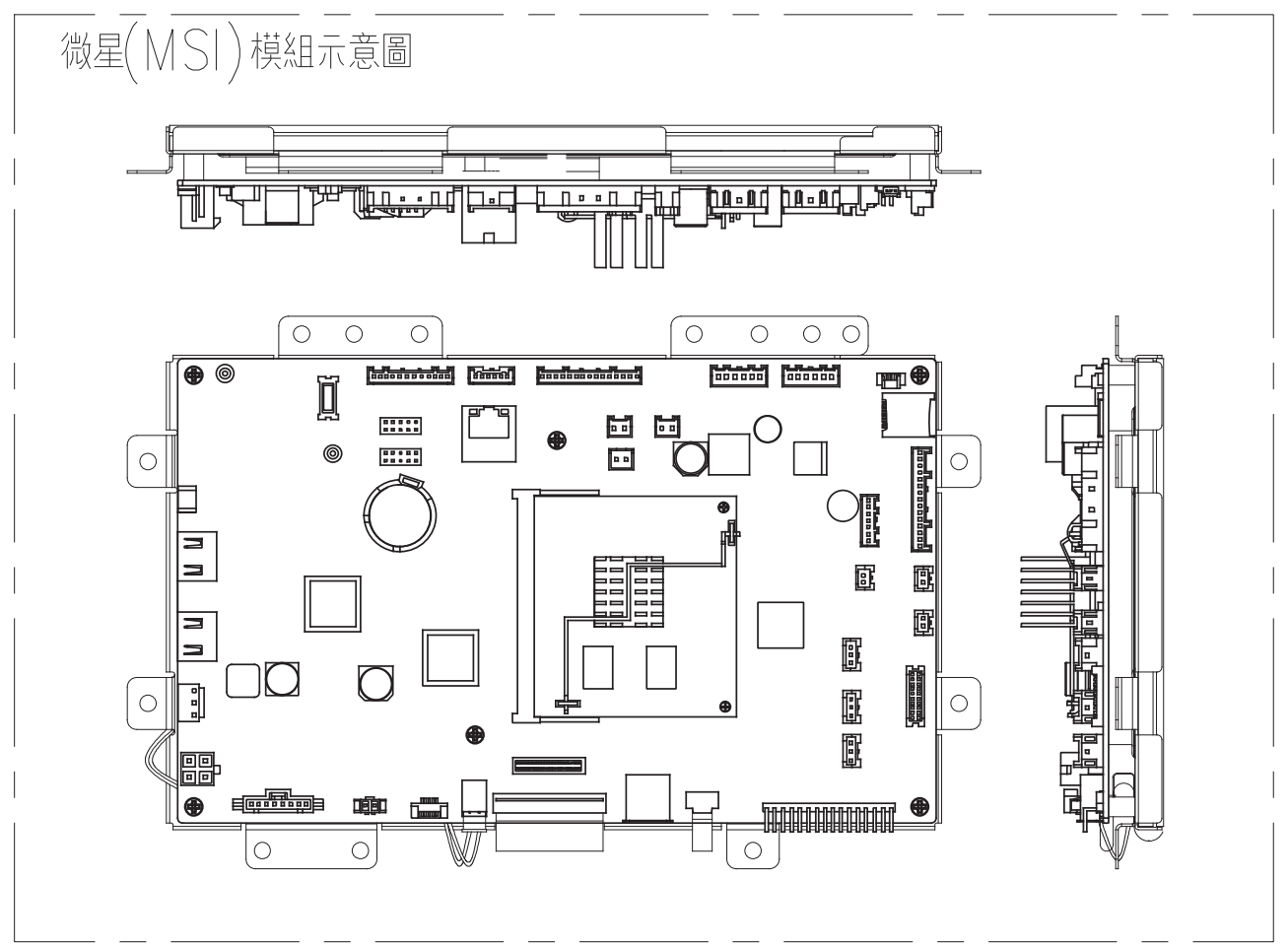
21



DRAWING NO	EP625-AW61		
PART NAME	Shield Set;Overlay		
PART NO	1000375451 ^{REV} A		
APPROVE	Jimmy	DATE	112015



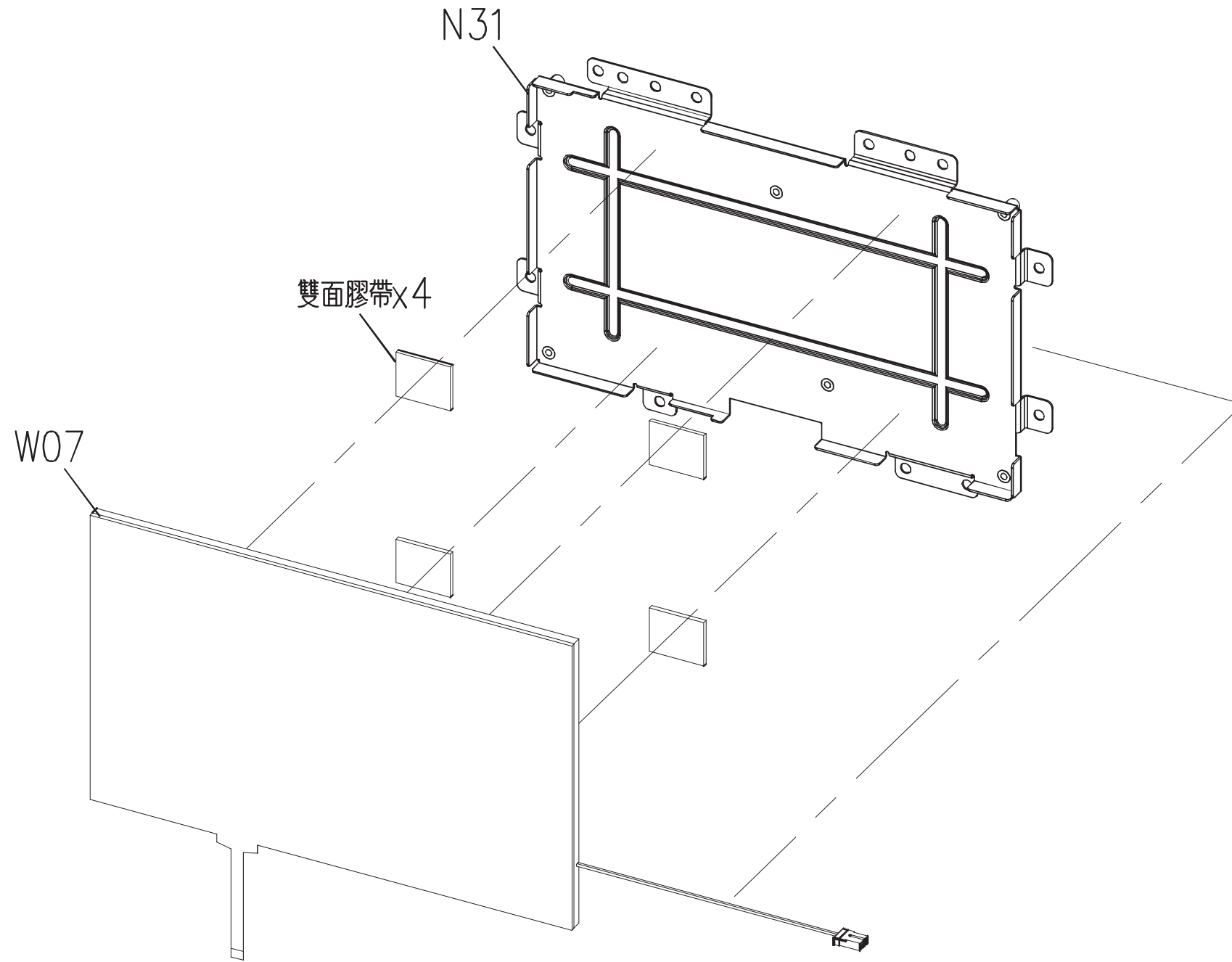
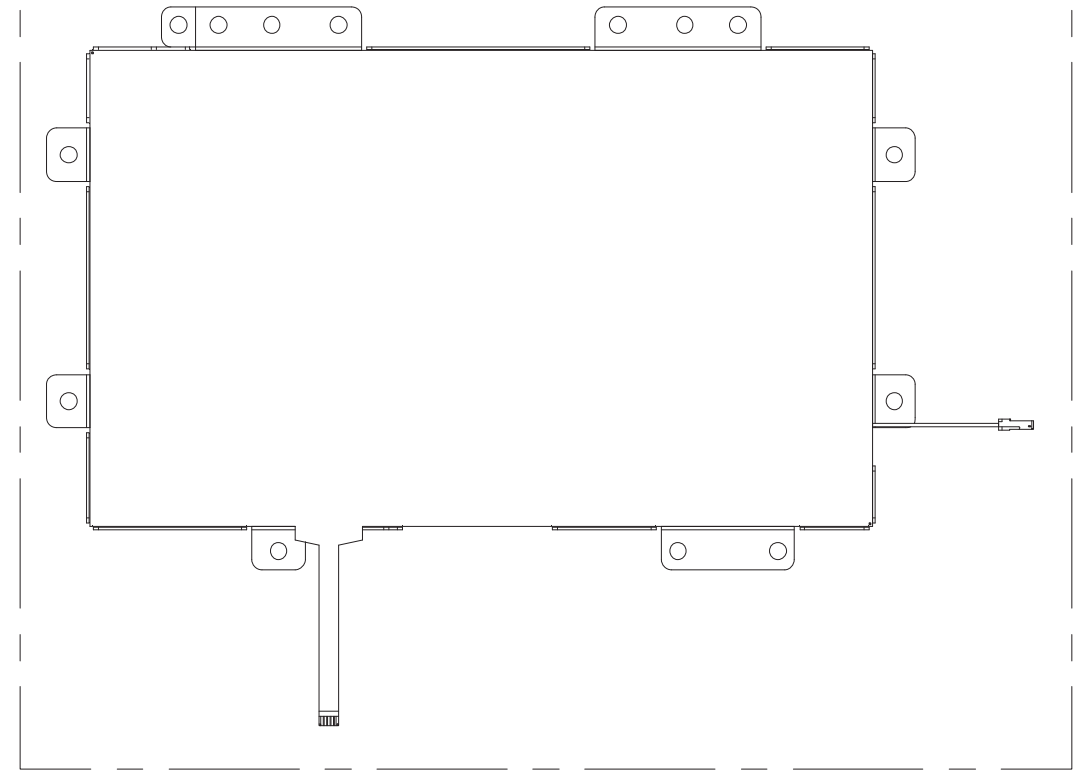
DRAWING NO	EP625-AW51		
PART NAME	Control Board Set		
PART NO	1000378952	REV	L
APPROVE	tsaijw	DATE	20190508



備註: 1. 此物料為微星(MSI) 客供料
 2. 硬體版次、軟體版本請見SAP

DRAWING NO	EP625-AW55		
PART NAME	Panel Board Set		
PART NO	1000378955 B		
APPROVE	Gingo	DATE	20151204

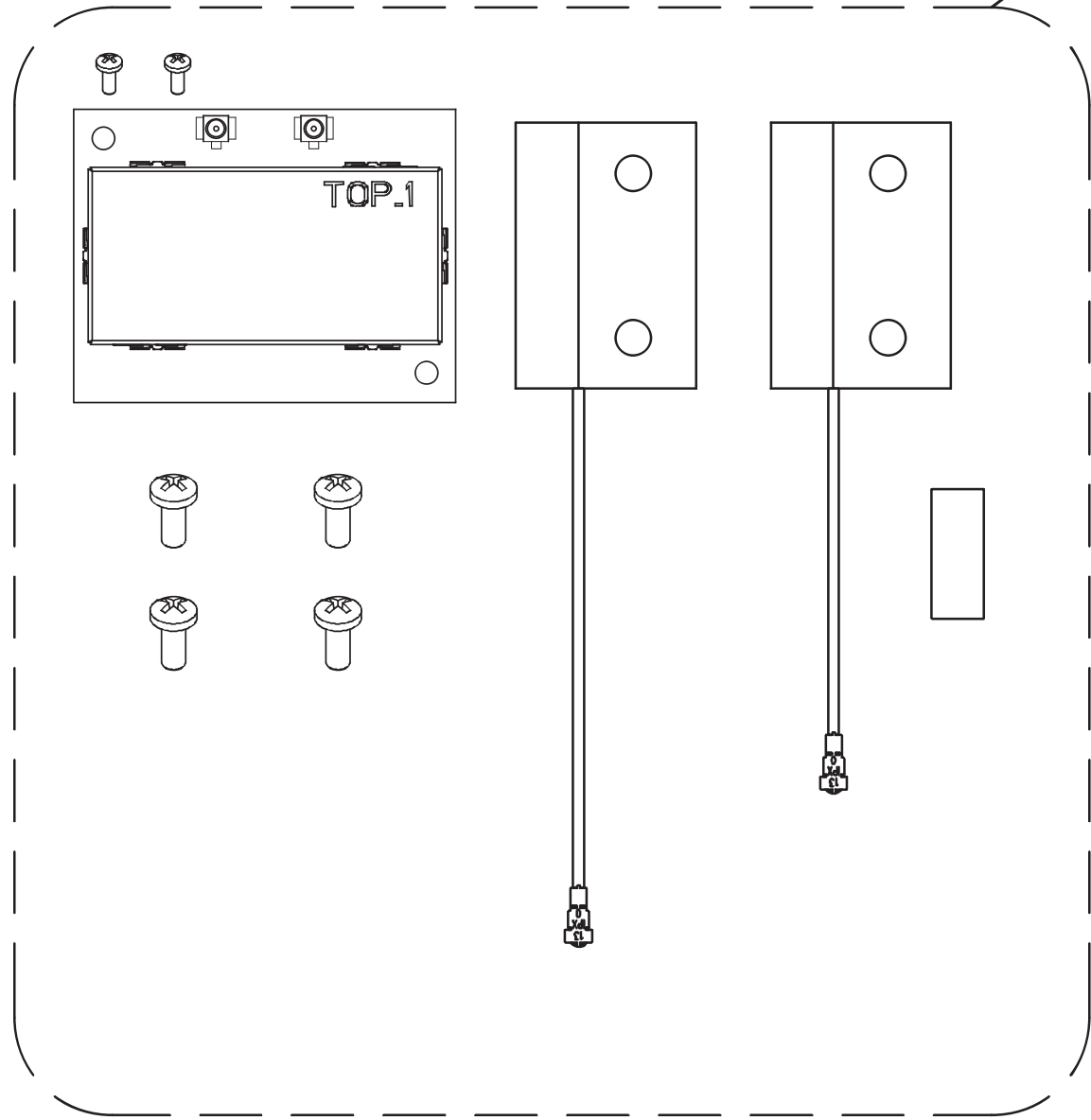
微星(MSI) PANEL 板組示意圖



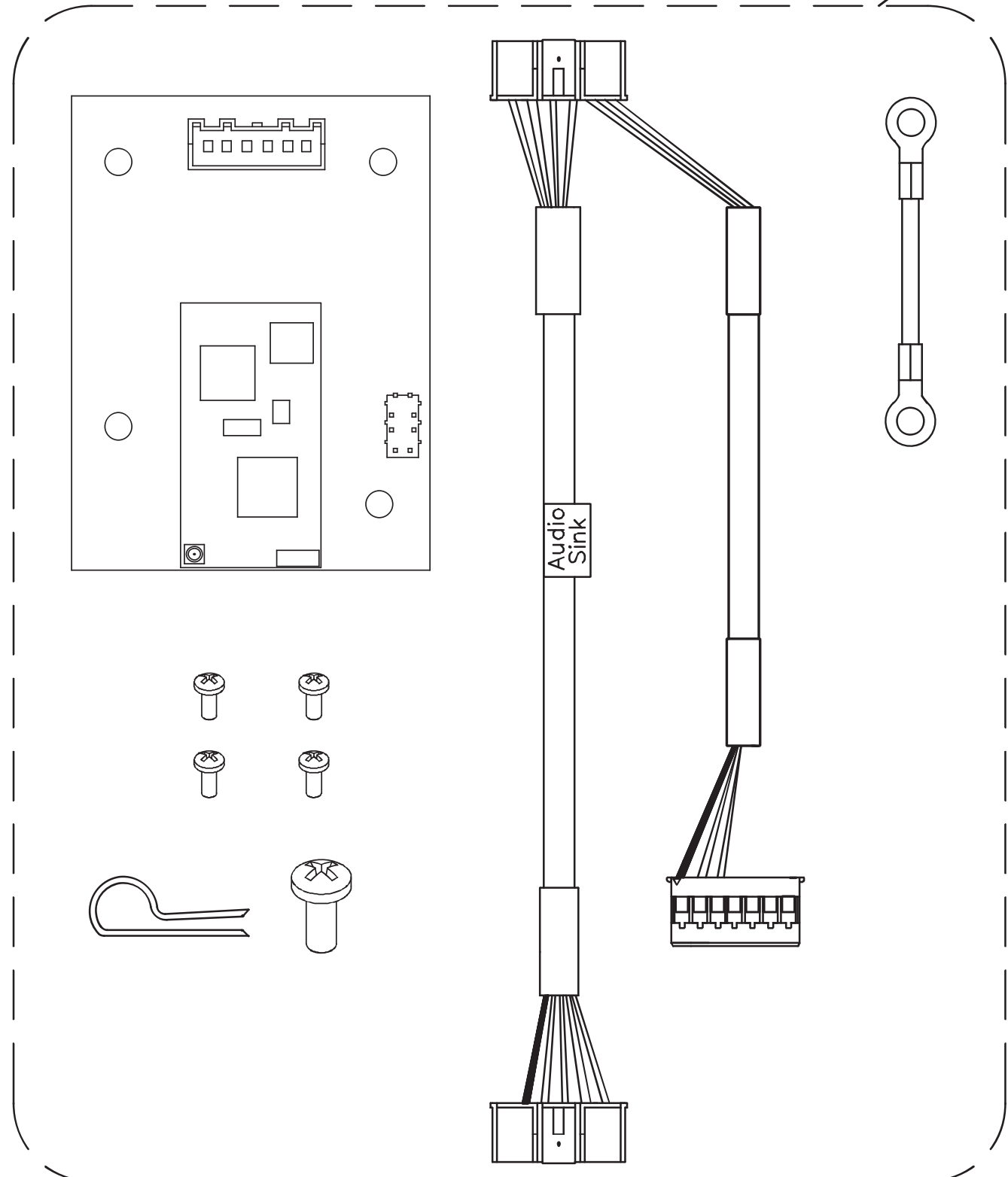
備註: 1. 此物料為微星(MSI)客供料
2. 硬體版次、軟體版本請見SAP

DRAWING NO	EP625-AW72		
PART NAME	Control Board Set		
PART NO	1000379208	REV	A
APPROVE	Gingo	DATE	20151123

2

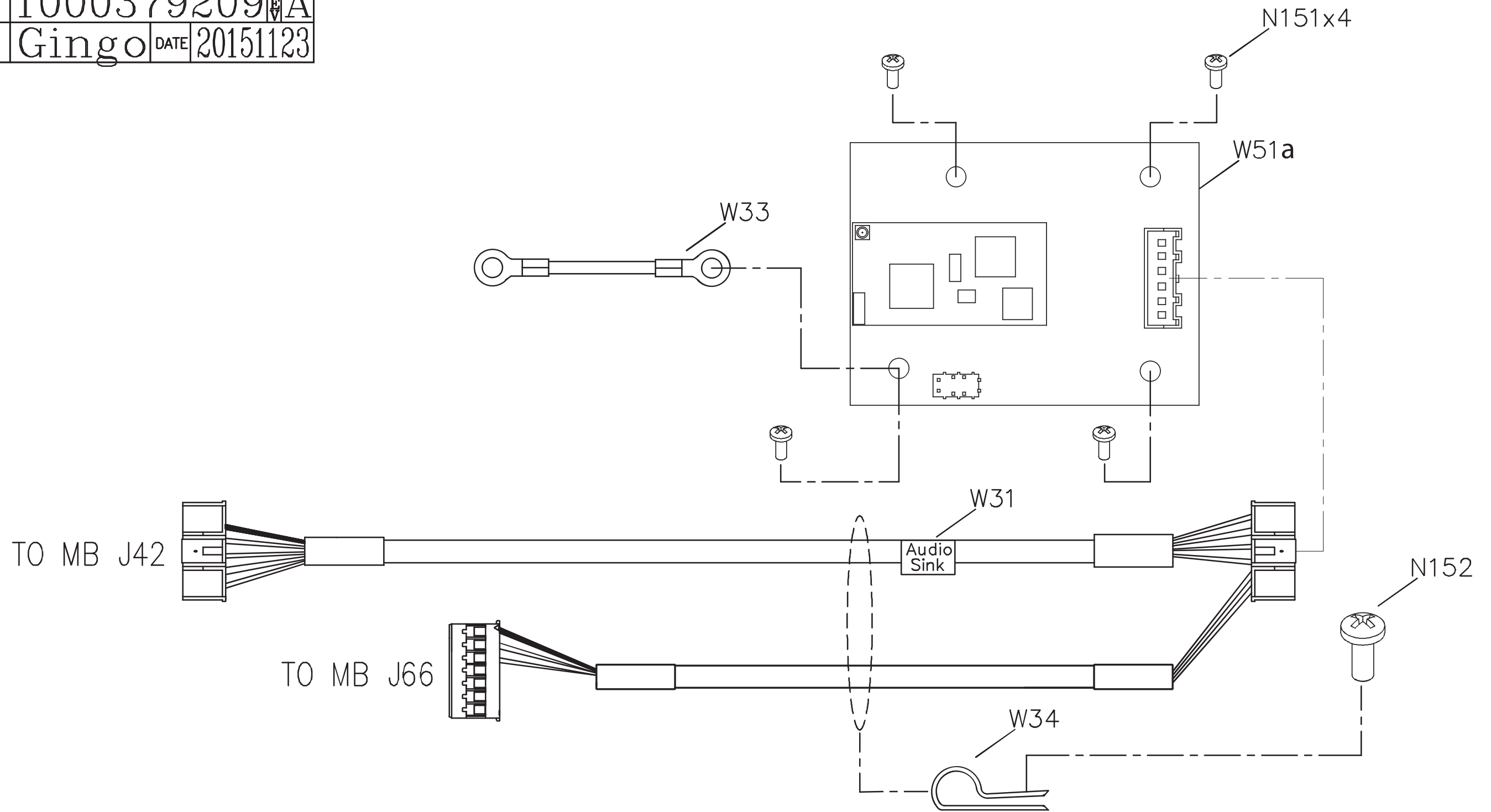


1



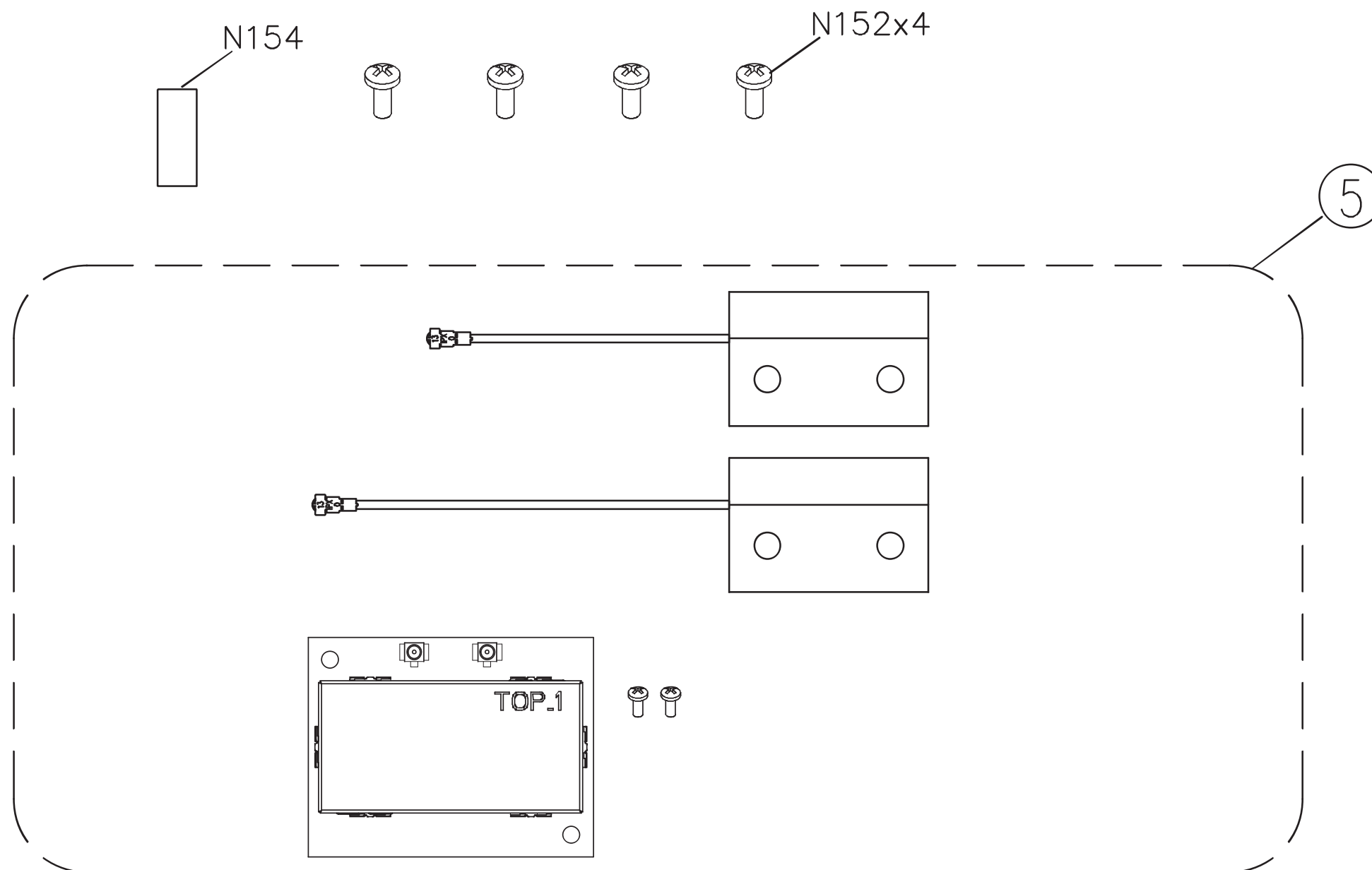
備註: 1. 硬體版次請見SAP

DRAWING NO	EP625-AW73		
PART NAME	Control Board Module		
PART NO	1000379209  A		
APPROVE	Gingo	DATE	20151123



備註: 1. 硬體版次請見SAP

DRAWING NO	EP625-AW74		
PART NAME	WIFI Wireness module Set		
PART NO	1000379211B		
APPROVE	Gingo	DATE	20160219



備註: 1. 硬體版次請見SAP

DRAWING NO	EP625G-AN52				
PART NAME	Pulse board set				
PART NO	1000444722	<table border="1"><tr><td>REV</td><td>B</td></tr></table>	REV	B	
REV	B				
APPROVE	Sunny	DATE	090919		

