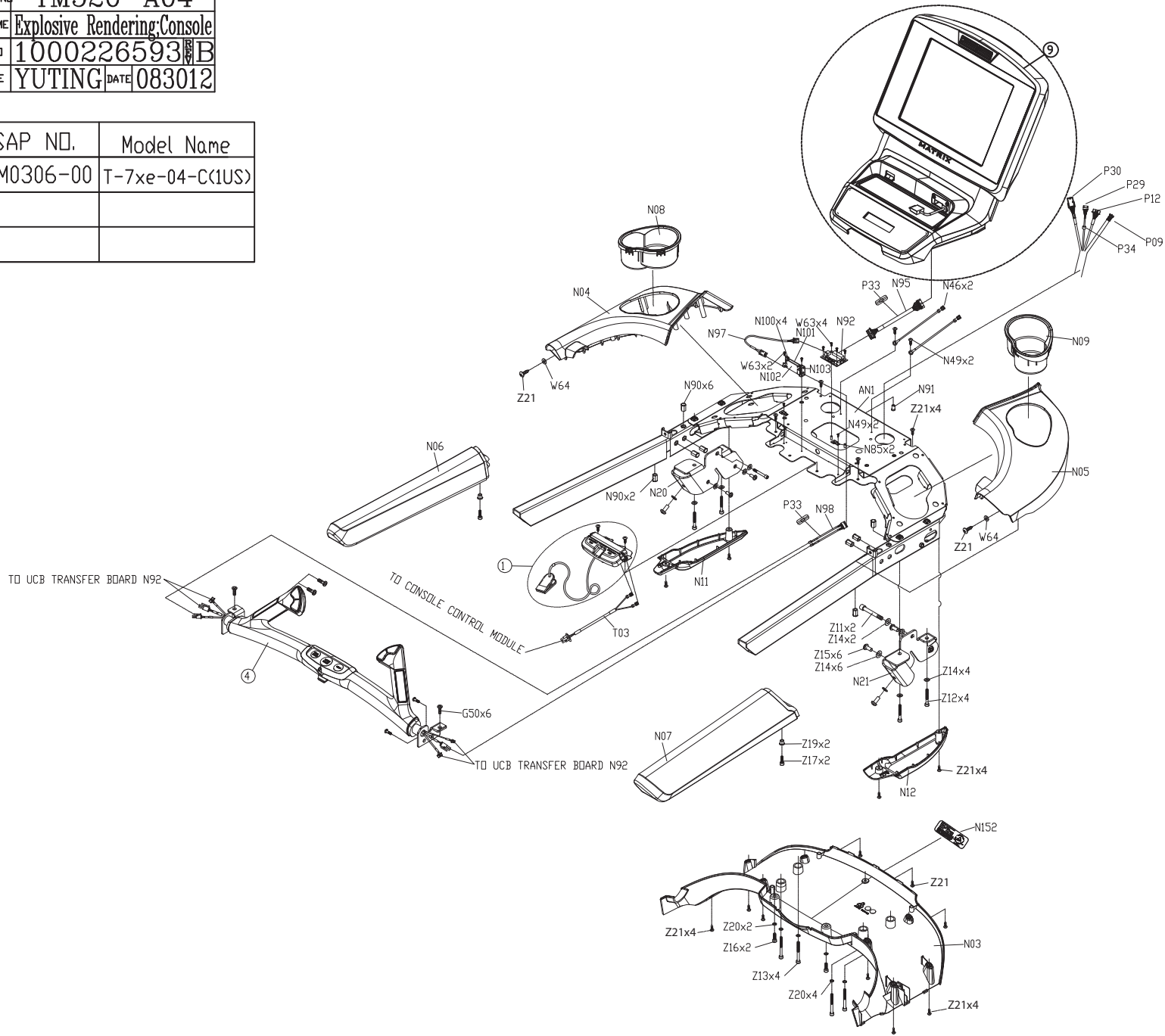
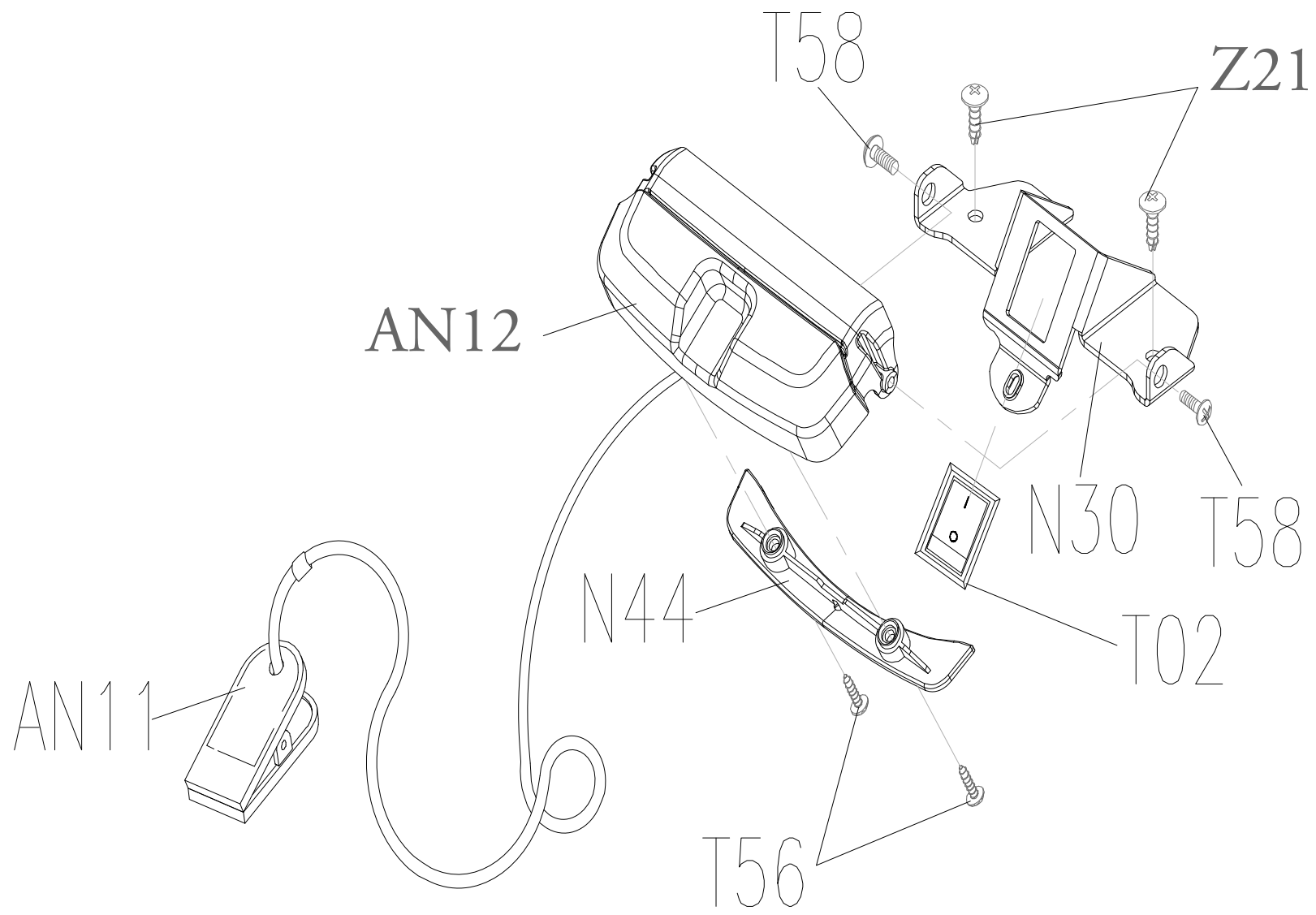


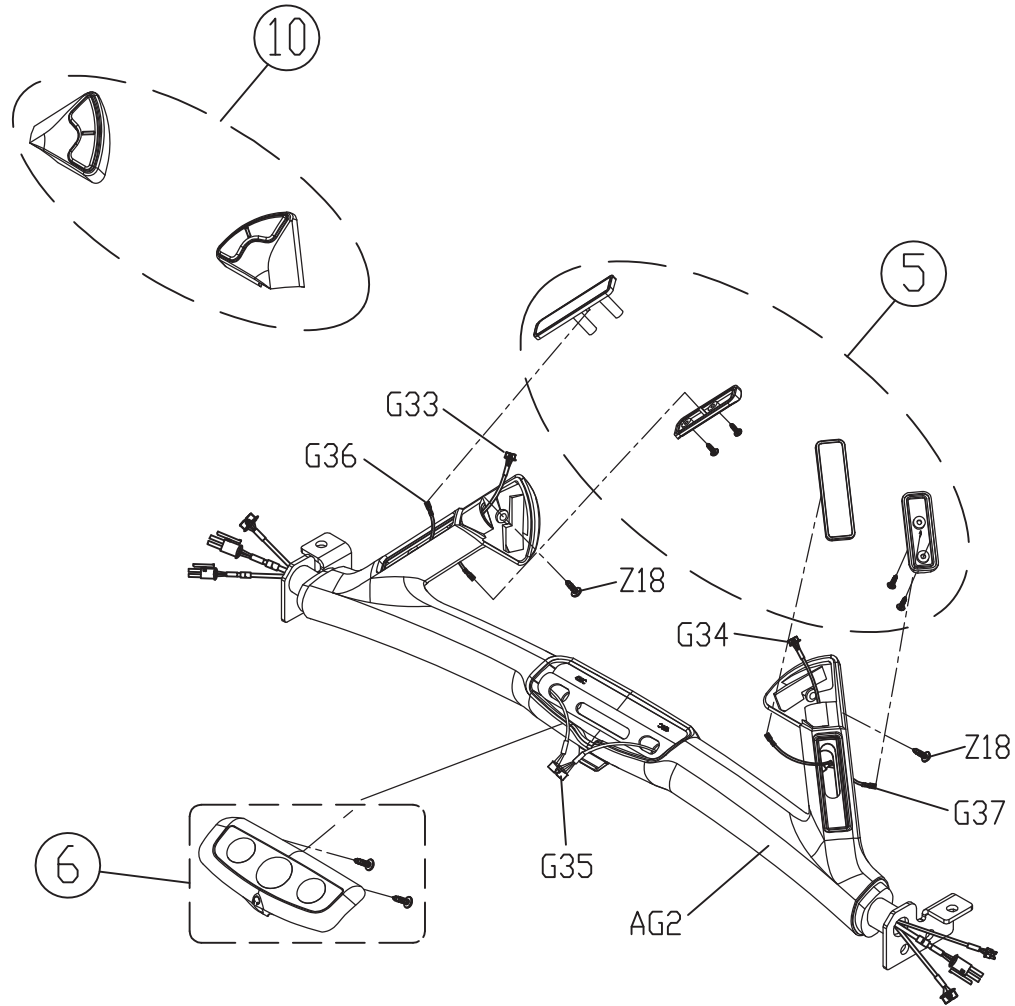
DRAWING NO	TM520-A04
PART NAME	Explosive Rendering Console
PART NO	1000226593 B
APPROVE	YUTING DATE 083012

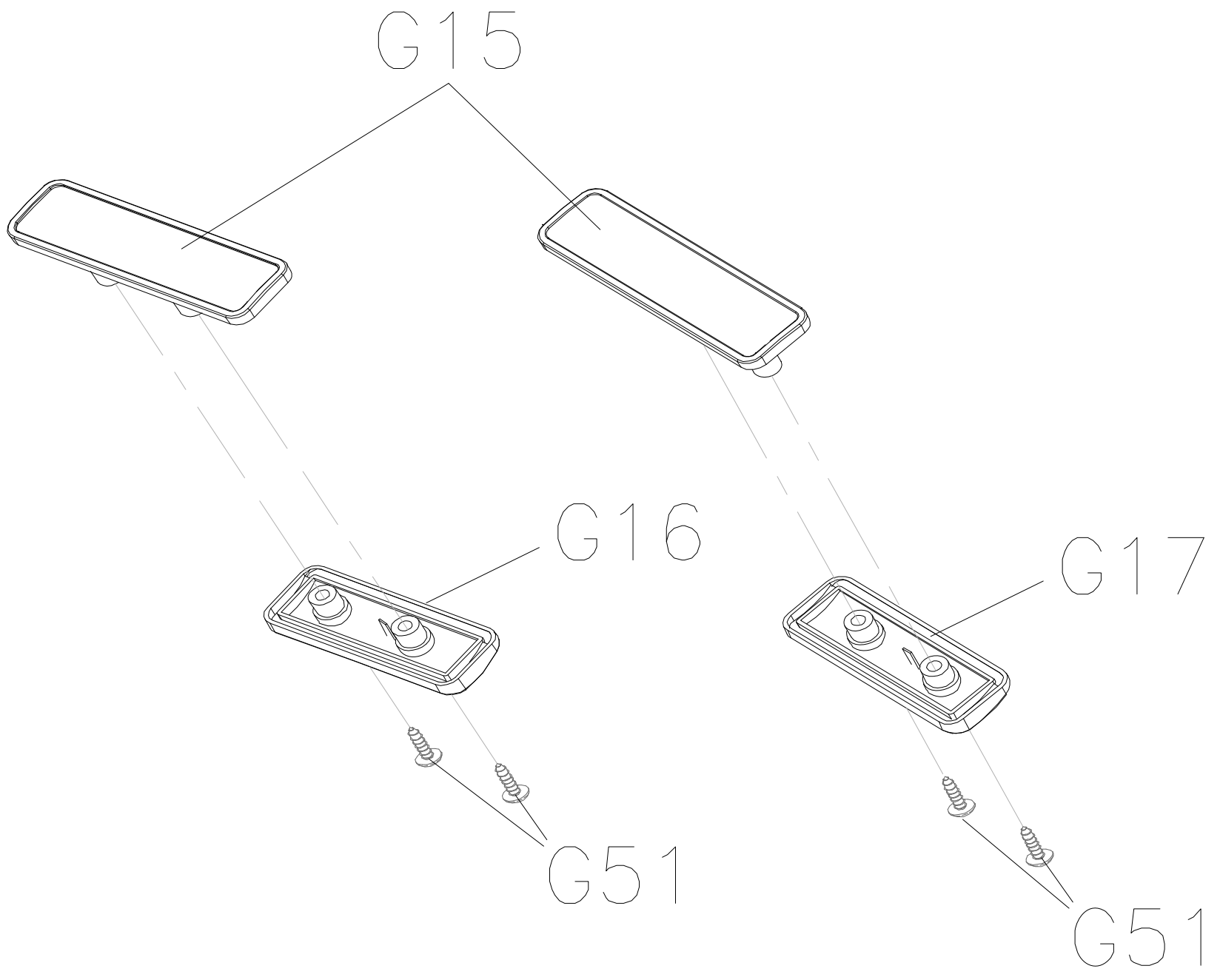
SAP NO.	Model Name
MTM0306-00	T-7xe-04-C(1US)



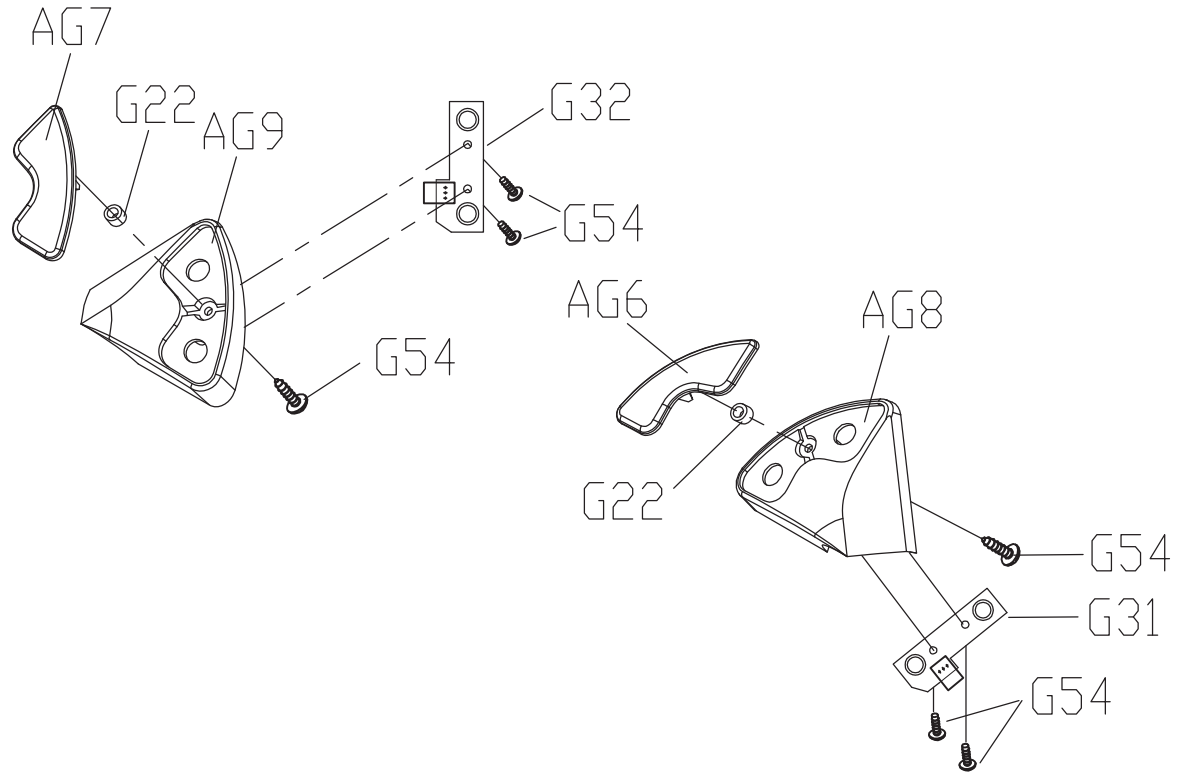


DRAWING NO	TM502-AG11		
PART NAME	Handlebar Set		
PART NO	1000207642 B		
APPROVE	SHUYI	DATE	030111

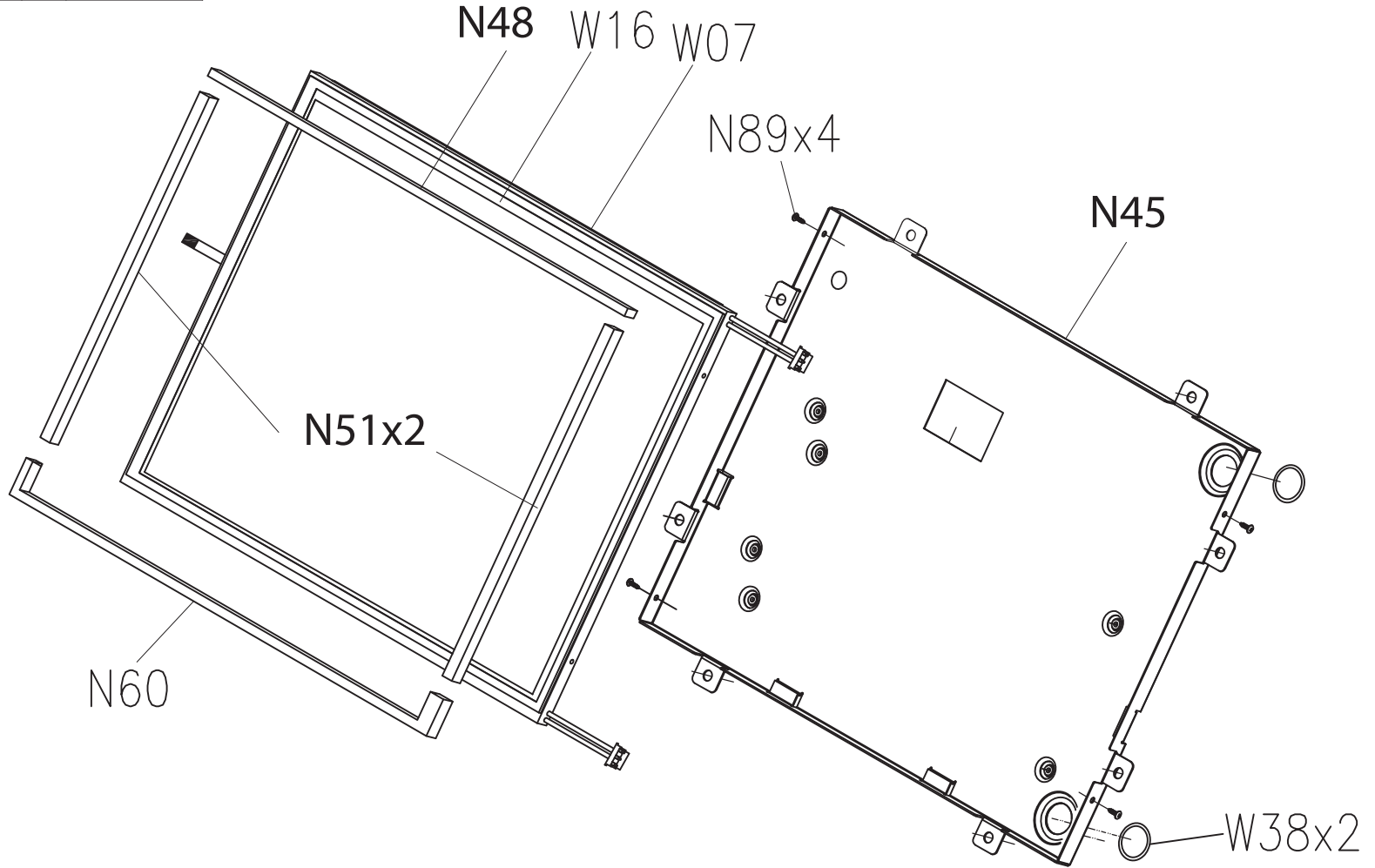




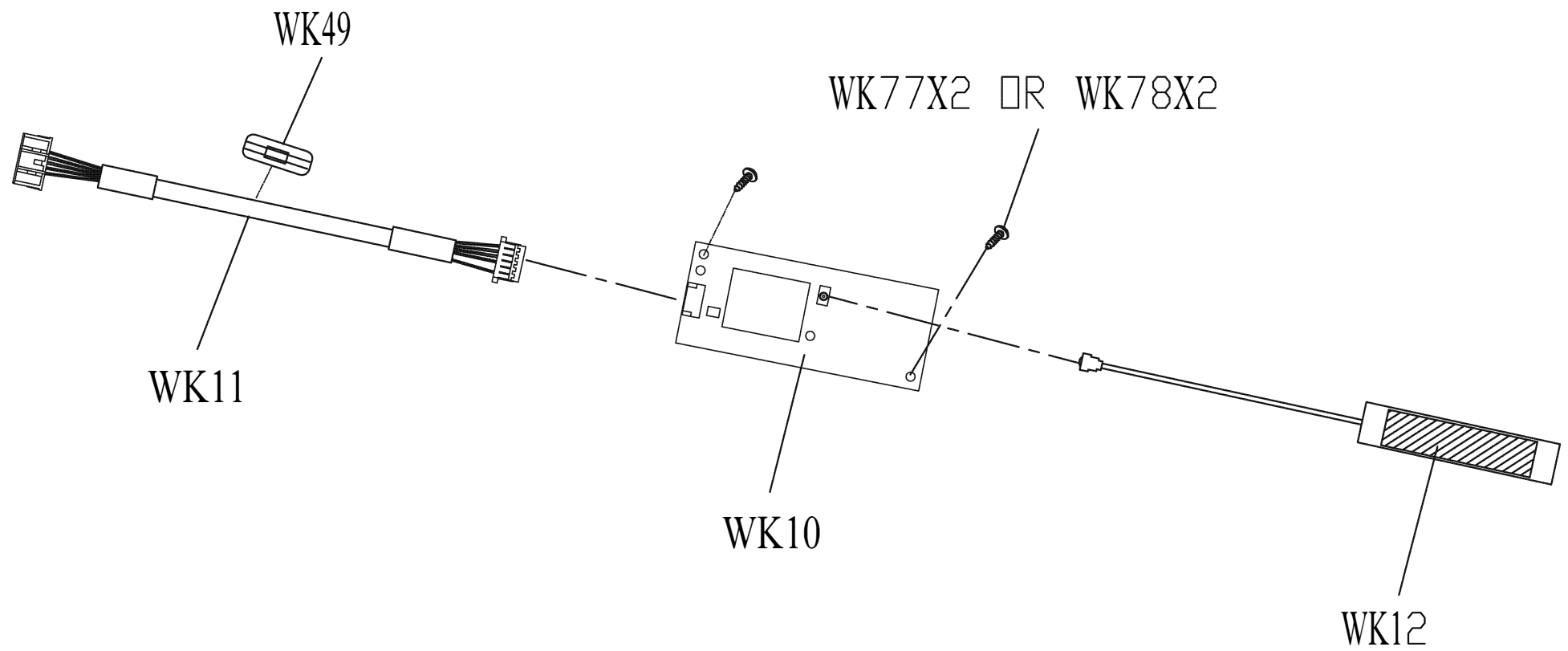
RAWING NO	TM502-AG12		
PART NAME	Quick Key Set		
PART NO	0000089687		
APPROVE	SHUYI	DATE	101211



DRAWING NO	EP613-AW31		
PART NAME	PANEL BOARD SET;15 INCH TFT LCD		
PART NO	1000233262	REV	A
APPROVE	DICK	DATE	20120615



DRAWING NO	TM503F-AN9		
PART NAME	WIFI MODULE MATERIEL SET		
PART NO	1000228298 A		
APPROVE	SUNNY	DATE	123011



DRAWING NO	TM503F-AW11		
PART NAME	Control Board;LMM		
PART NO	0000095708		
APPROVE	SHUYI	DATE	030512

