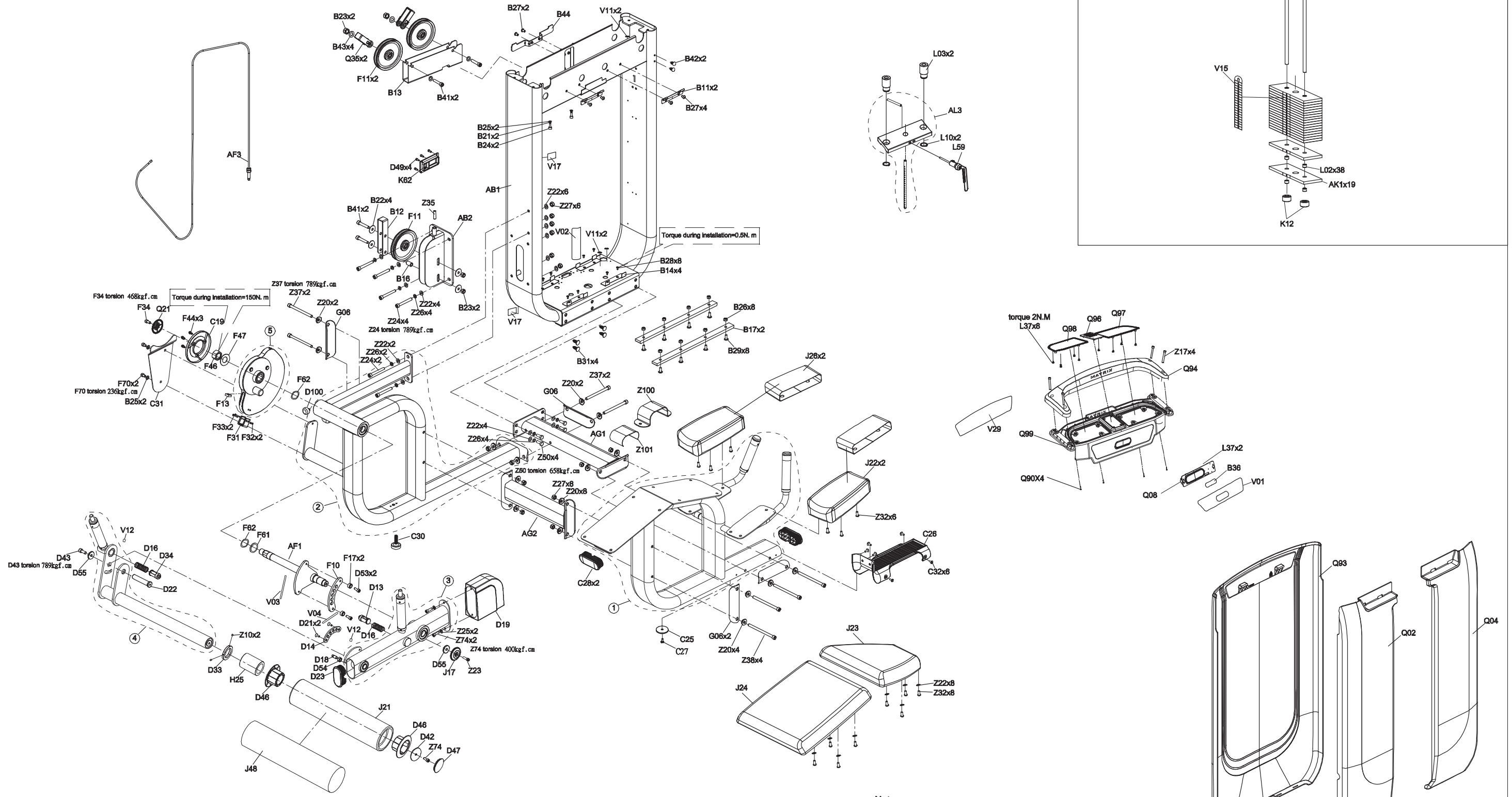


DRAWING NO	PG7GM227H-KM		
PART NAME	Explosive Diagram		
PART NO	MGM0832-00	REV	A
APPROVE	wangtao	DATE	2022.07.29

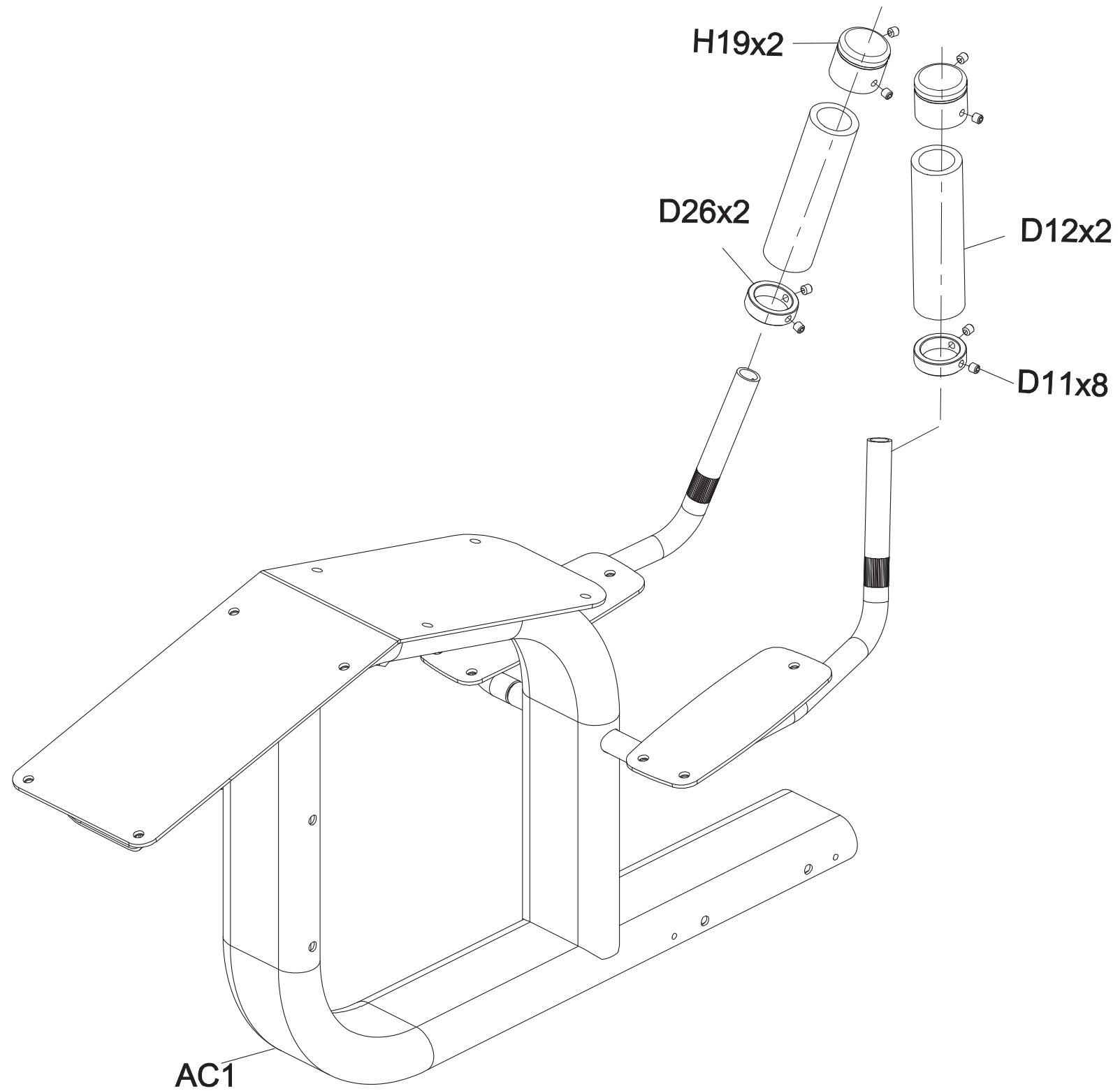
12.5(LBS)Select block 19PCS



Notes:  
 Bolt without marking torque, according to "JS019-05"  
 (1000300772) standard execution;

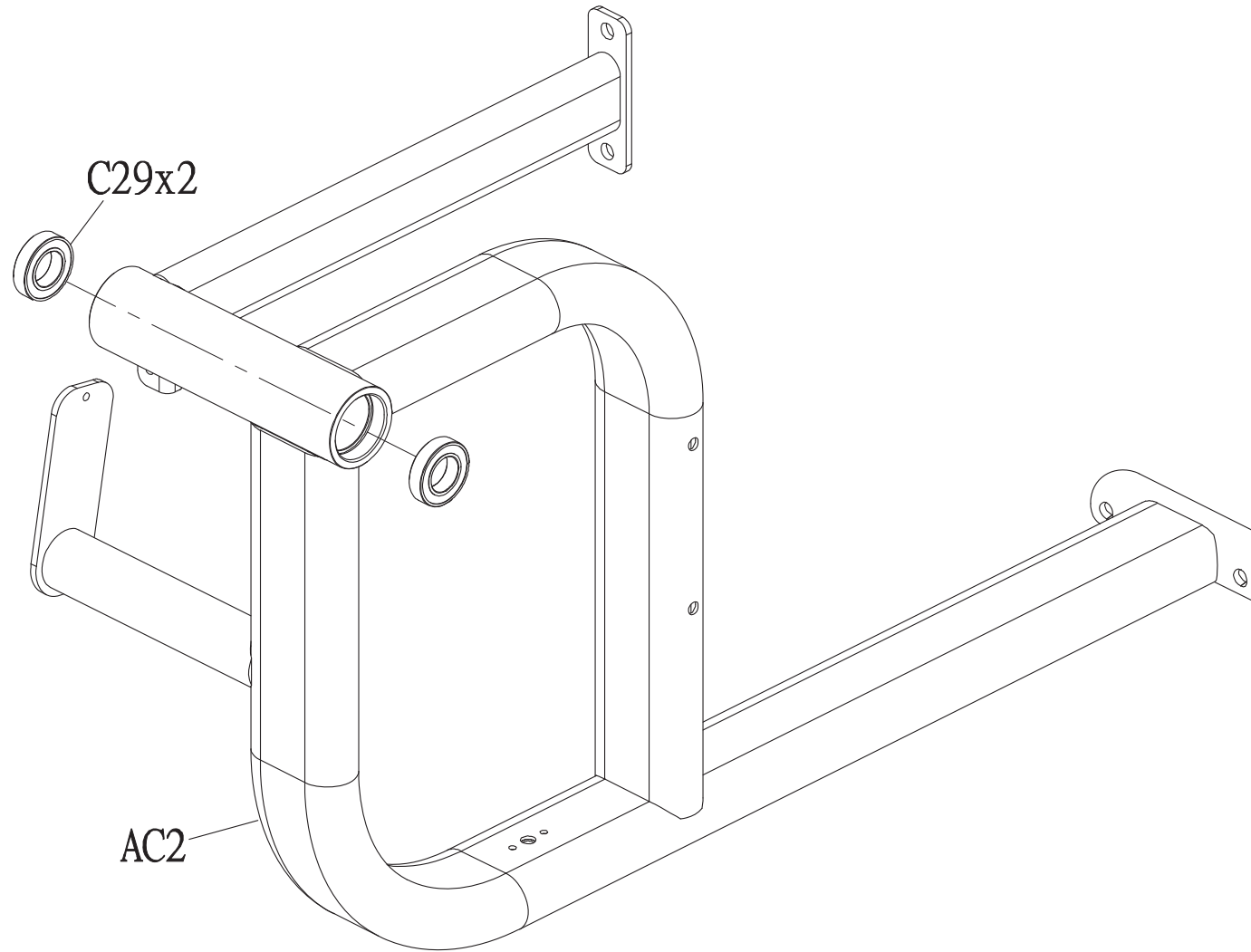
DRAWING NO	GM227-AC01		
PART NAME	Base Set;R;Assembling		
PART NO	See Chart	REV	A
APPROVE	Chenjianmin	DATE	08.10.2020

Part NO.	Color
1000457535	Iced Sliver
1000457536	Platinum
1000457537	Polarized Titanium
1000457538	Pearl White
1000457539	Lace White
1000457540	Mat Black
1000457541	Black Glossy
1000457542	Graphic 202020



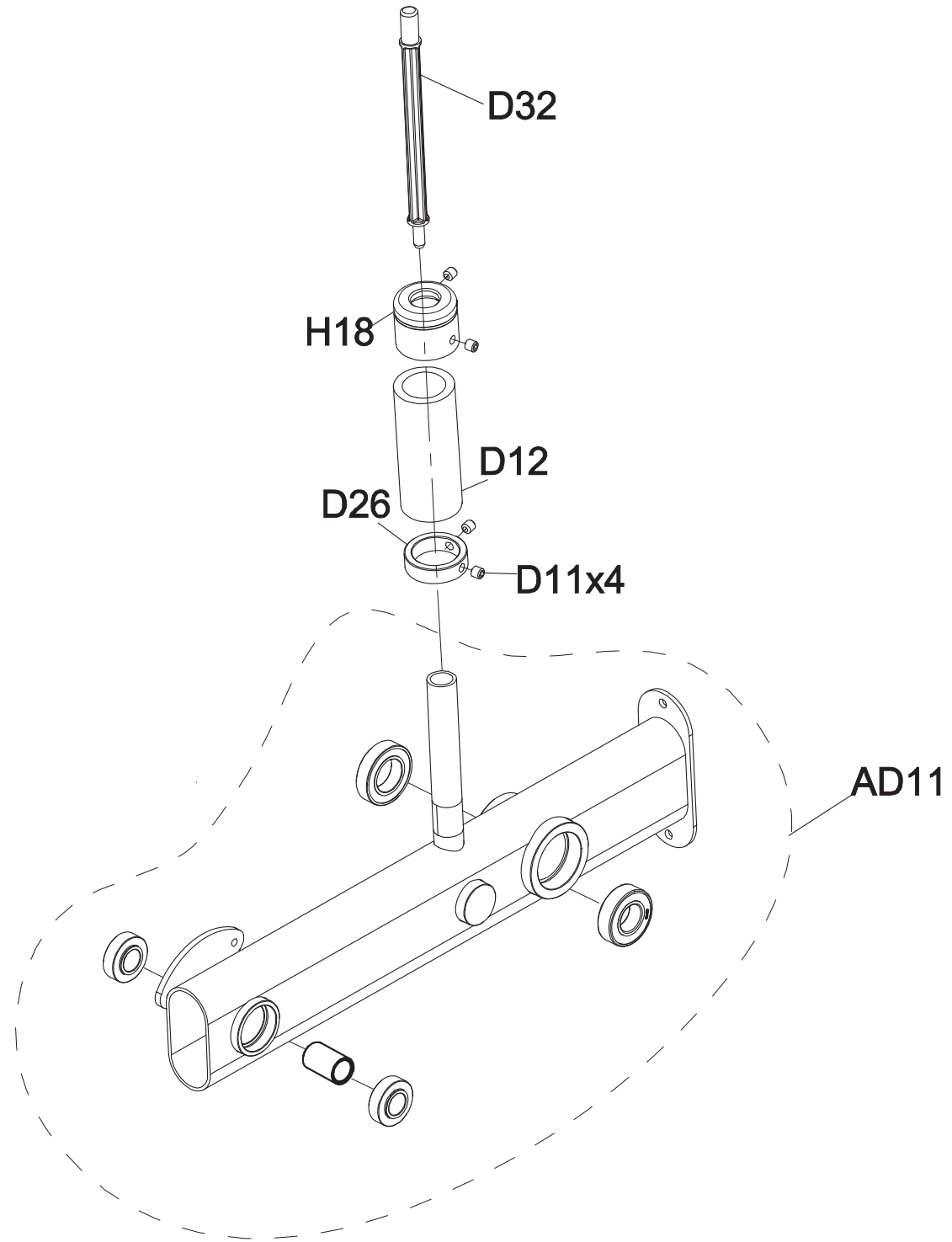
DRAWING NO	GM127-AC02		
PART NAME	Base Set;L;Assembling		
PART NO	See Chart	REV	B
APPROVE	chenjianmin	DATE	08.11.2020

Part NO.	Color
1000418140	Iced Sliver
1000418141	Platinum
1000418142	Polarized Titanium
1000418143	Lace White
1000418144	Pearl White
1000418145	Mat Black
1000418146	Black Glossy
1000457622	Graphic 202020



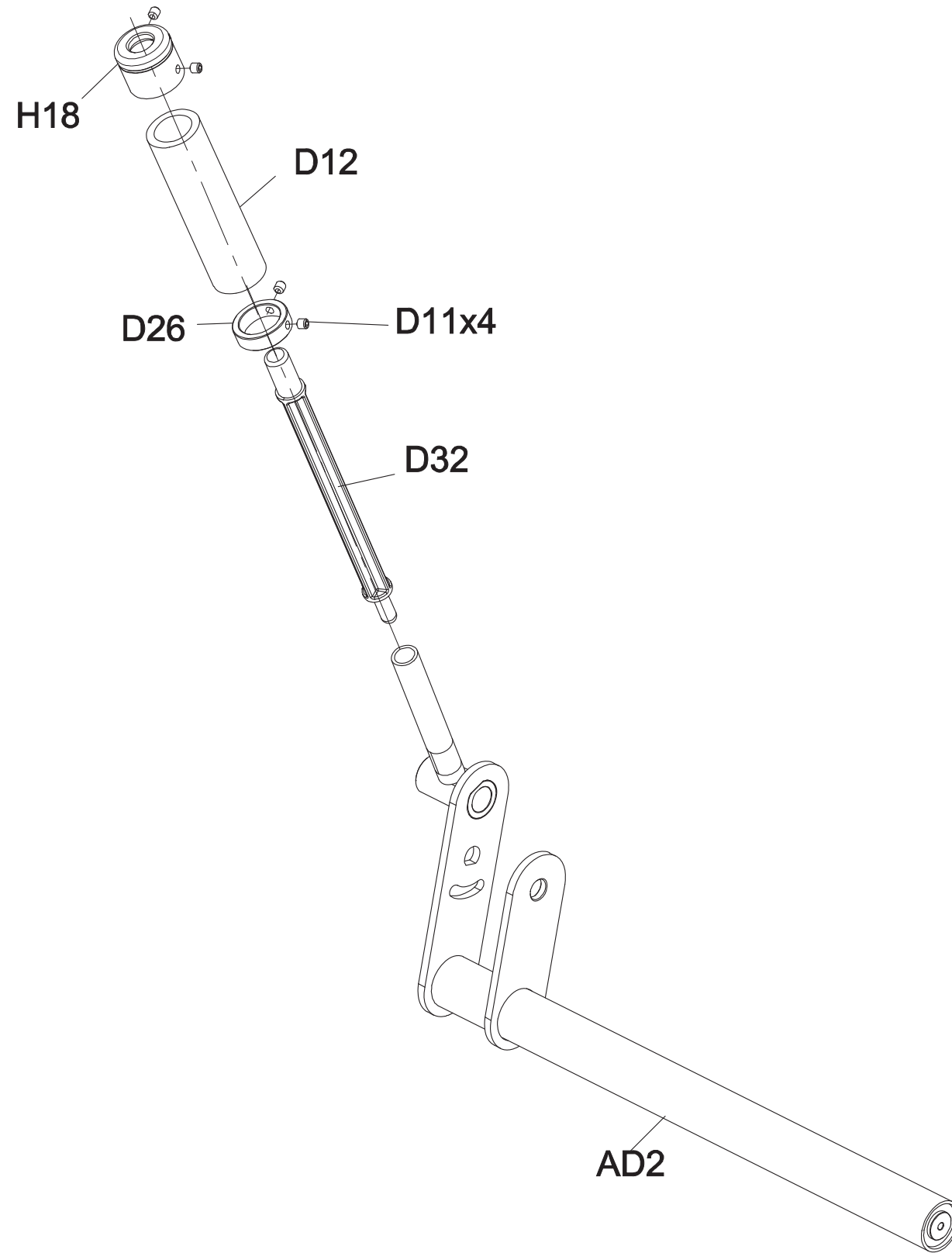
DRAWING NO	GM227-AD02		
PART NAME	Pedal Arm set;Assembling		
PART NO	See Chart	REV	A
APPROVE	chenjianmin	DATE	08.11.2020

Part NO.	Color
1000457543	Iced Sliver
1000457544	Platinum
1000457545	Polarized Titanium
1000457546	Lace White
1000457547	Pearl White
1000457548	Mat Black
1000457549	Black Glossy
1000457550	Graphic 202020



DRAWING NO	GM227-AD03		
PART NAME	Leg Pad Set;Assembling		
PART NO	See Chart	REV	A
APPROVE	chenjianmin	DATE	08.11.2020

Part NO.	Color
1000457555	Iced Sliver
1000457556	Platinum
1000457558	Polarized Titanium
1000457559	Lace White
1000457560	Pearl White
1000457562	Mat Black
1000457563	Black Glossy
1000457564	Graphic 202020



DRAWING NO	GM127-AF01		
PART NAME	Cam Fixing Set;Assembling		
PART NO	See Chart	REV	B
APPROVE	chenjianmin	DATE	08.11.2020

Part NO.	Color
1000418162	Iced Sliver
1000418163	Platinum
1000418164	Polarized Titanium
1000418165	Lace White
1000418166	Pearl White
1000418167	Mat Black
1000418168	Black Glossy
1000457568	Graphic 202020

