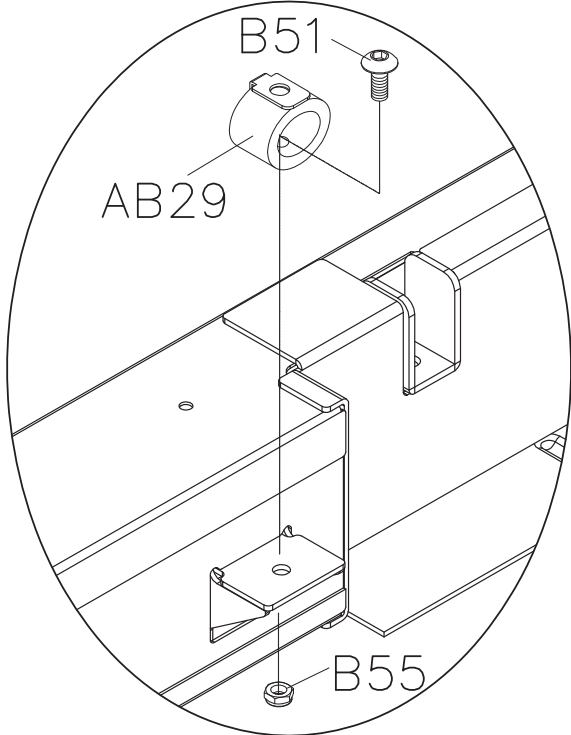
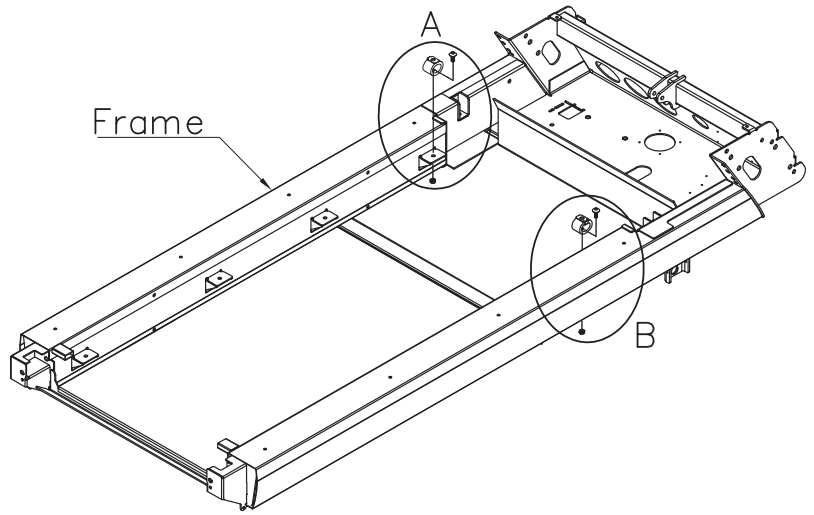
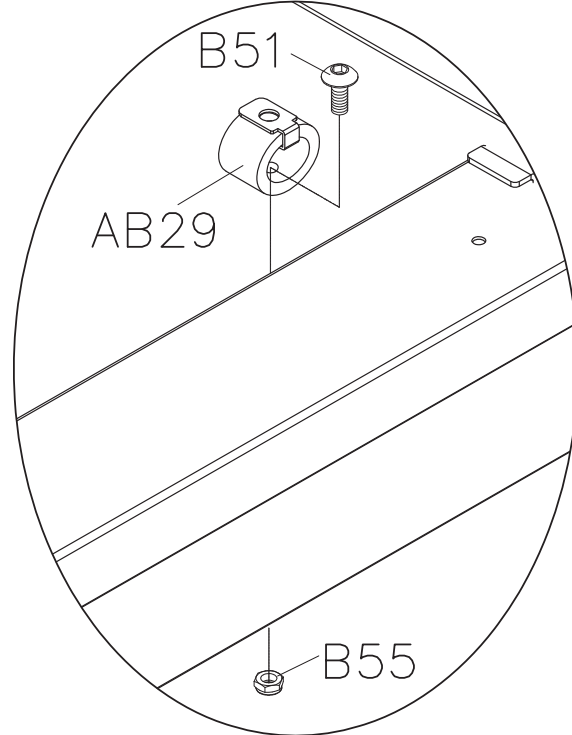


| | | | |
|------------|----------------------------------|------|--------|
| DRAWING NO | TM501-AB21 | | |
| PART NAME | Elastomer Set;Running Deck;Front | | |
| PART NO | As Attachment | | |
| APPROVE | S.T.C | DATE | 060512 |

| Part No. | Description |
|------------|-------------|
| 0000089487 | Nai Ri |
| 1000233263 | Miner |



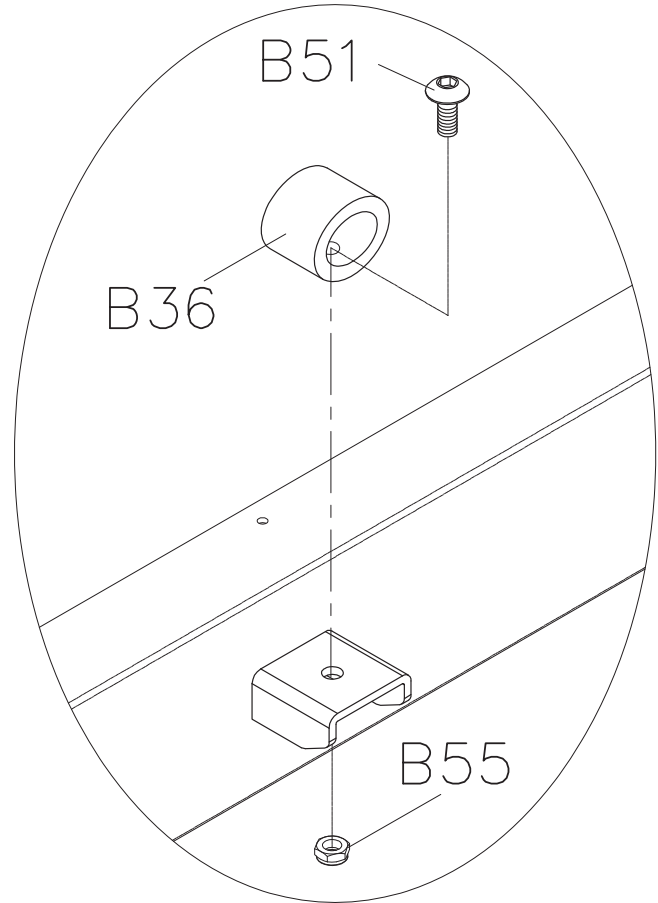
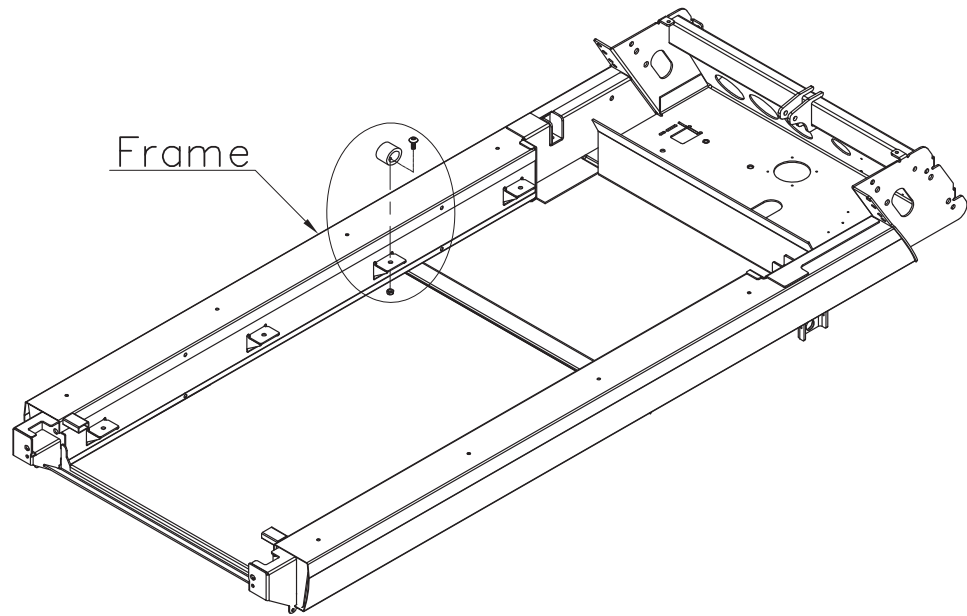
A 詳圖(1:5)



B 詳圖(1:5)

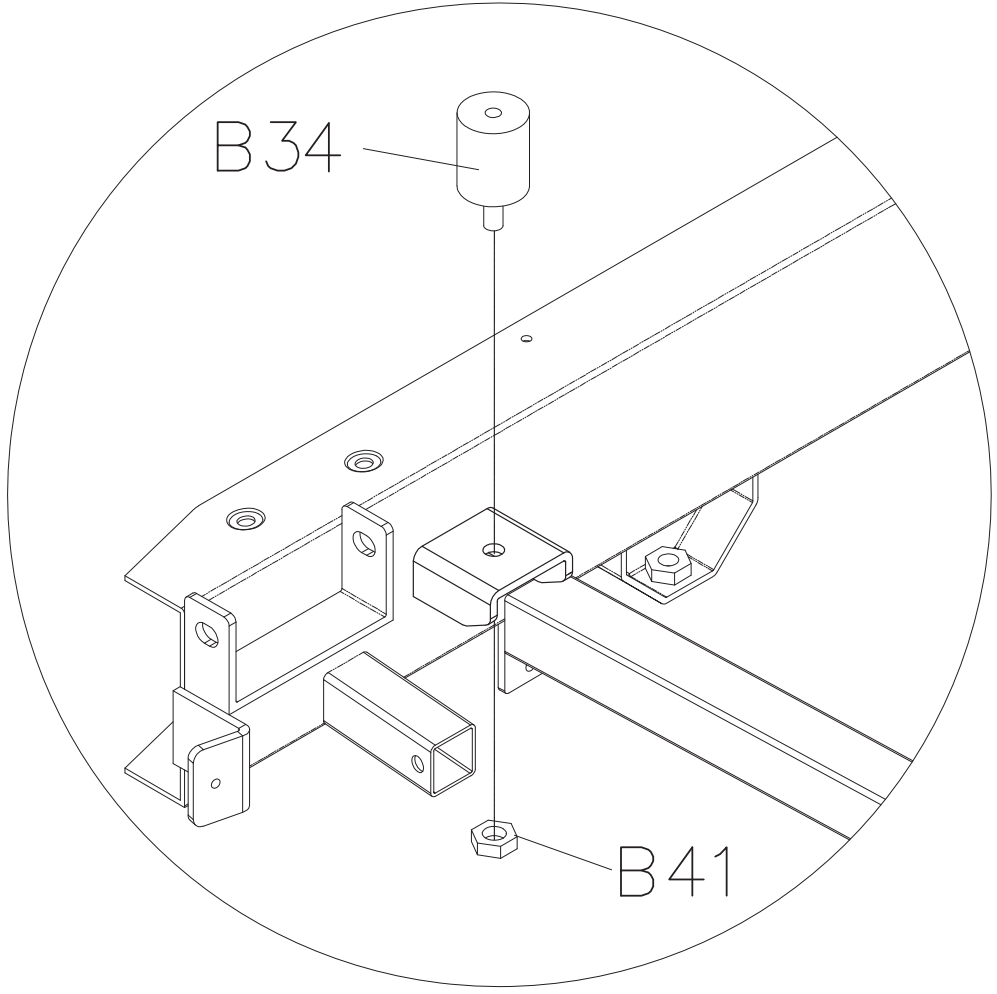
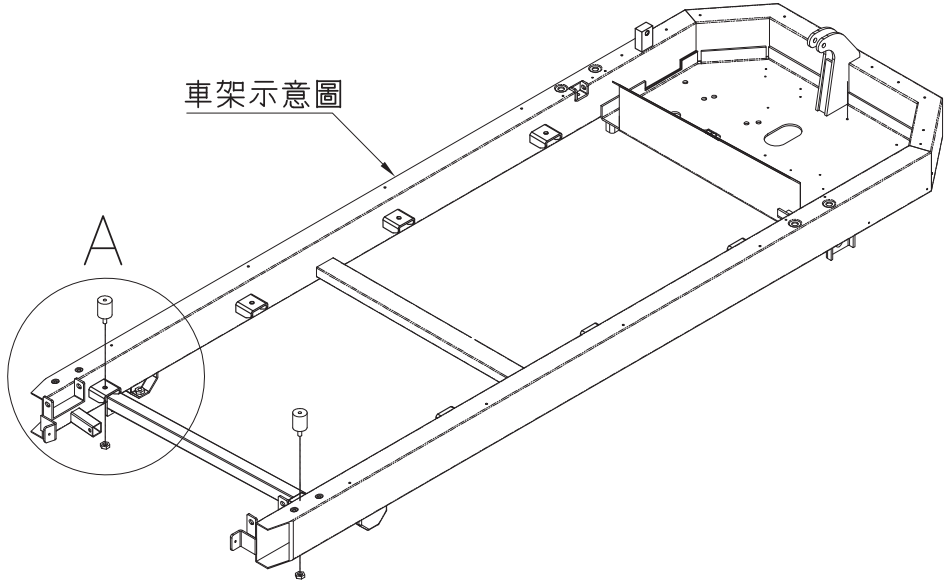
| | | |
|------------|-----------------------------------|-------------|
| DRAWING NO | TM501-AB22 | |
| PART NAME | Elastomer Set;Running Deck;Middle | |
| PART NO | As Attachment B | |
| APPROVE | S.T.C | DATE 060512 |

| Part No. | Description |
|------------|-------------|
| 0000089488 | Nai Ri |
| 1000233264 | Miner |



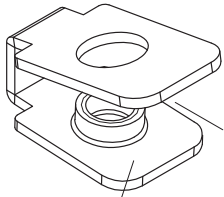
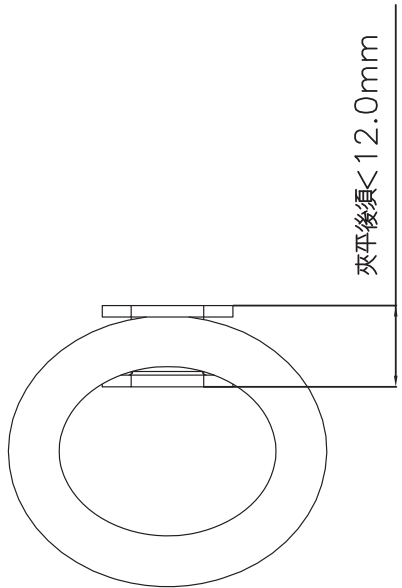
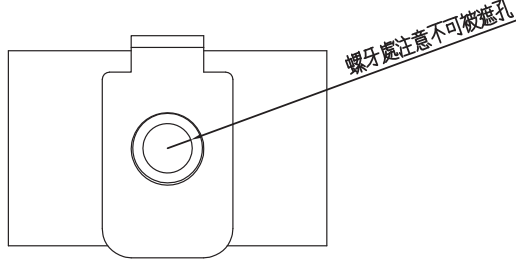
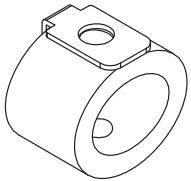
A(1:5)

| | |
|---------------------------|---------------------------------|
| DRAWING NO 圖 號 | TM507-AB22 |
| PART NAME(CH) 零件名稱(中文) | 緩衝墊組;跑板;後 |
| PART NAME(EN) 零件名稱(英文) | Elastomer Set;Running Deck;Back |
| SAP PART NO SAP料號 | 0000091092 B |

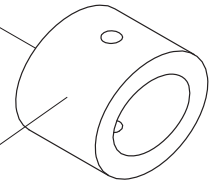


A 詳圖(1:5)

| | | | |
|------------|----------------------|------|--------|
| DRAWING NO | TM501-AB29 | | |
| PART NAME | Elastomer Set; Miner | | |
| PART NO | As Attachment | | |
| APPROVE | S.T.C | DATE | 092110 |



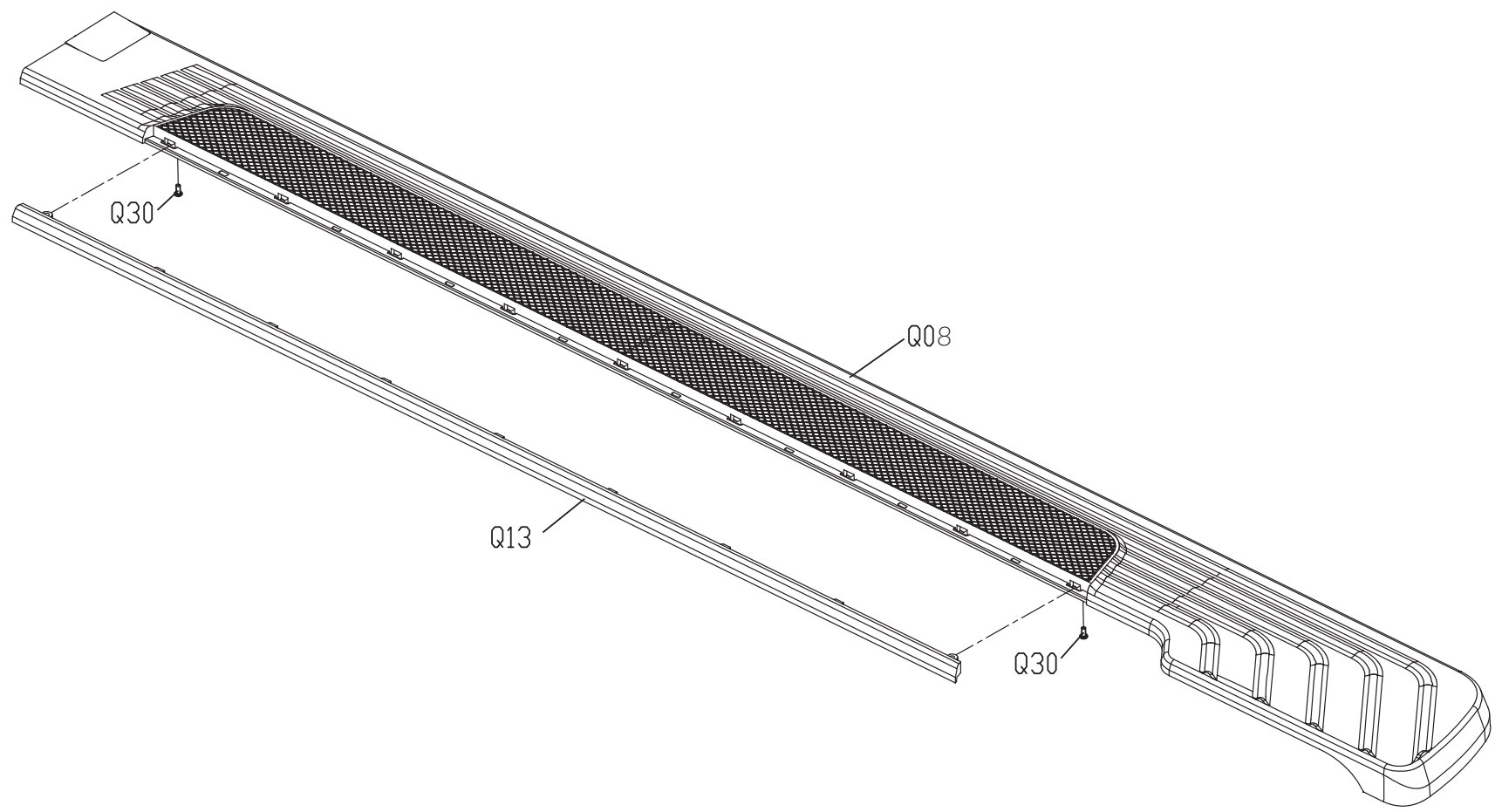
B38



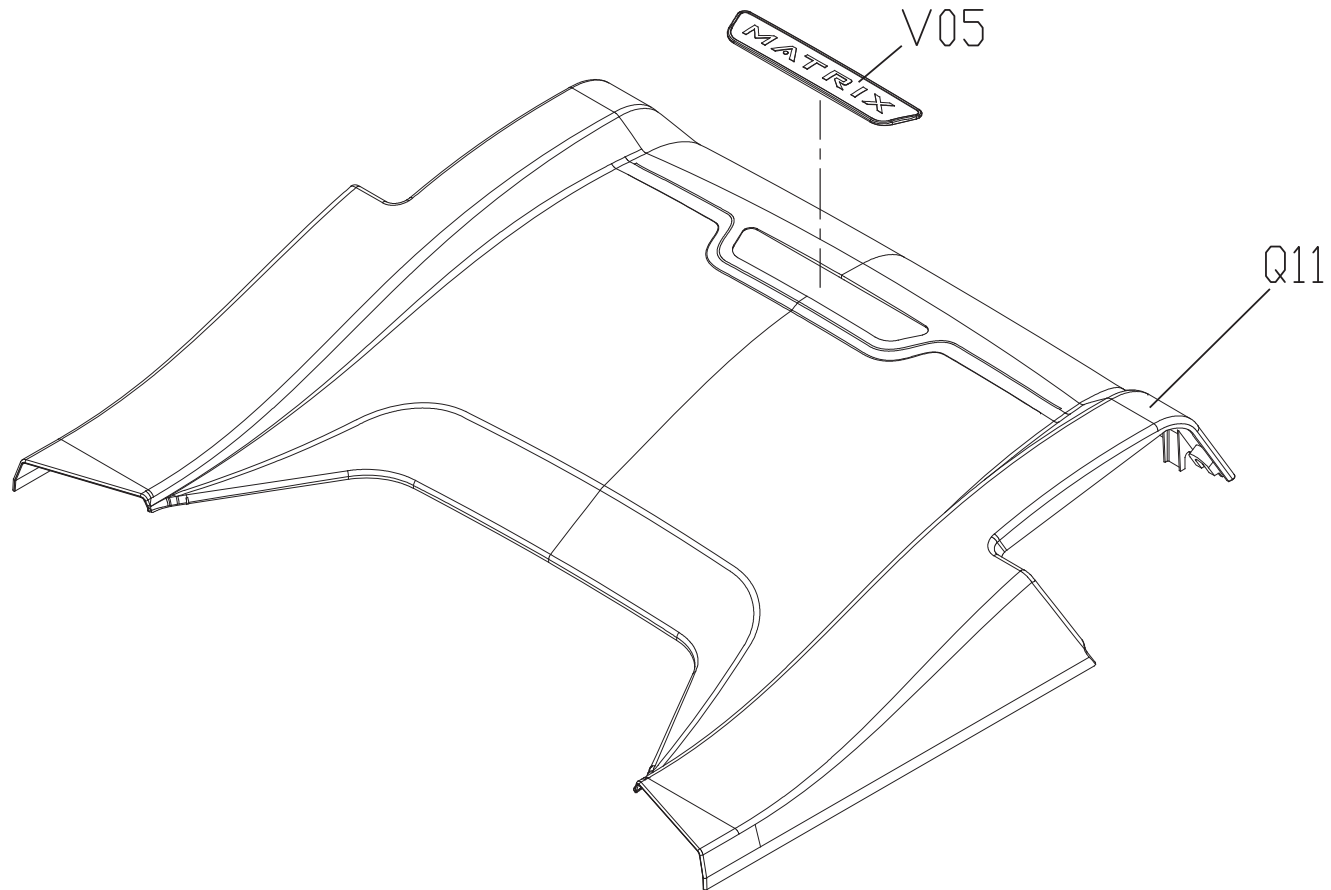
B36

| Part No. | Description |
|------------|-------------|
| 1000204015 | Miner |
| 0000095663 | Nai Ri |

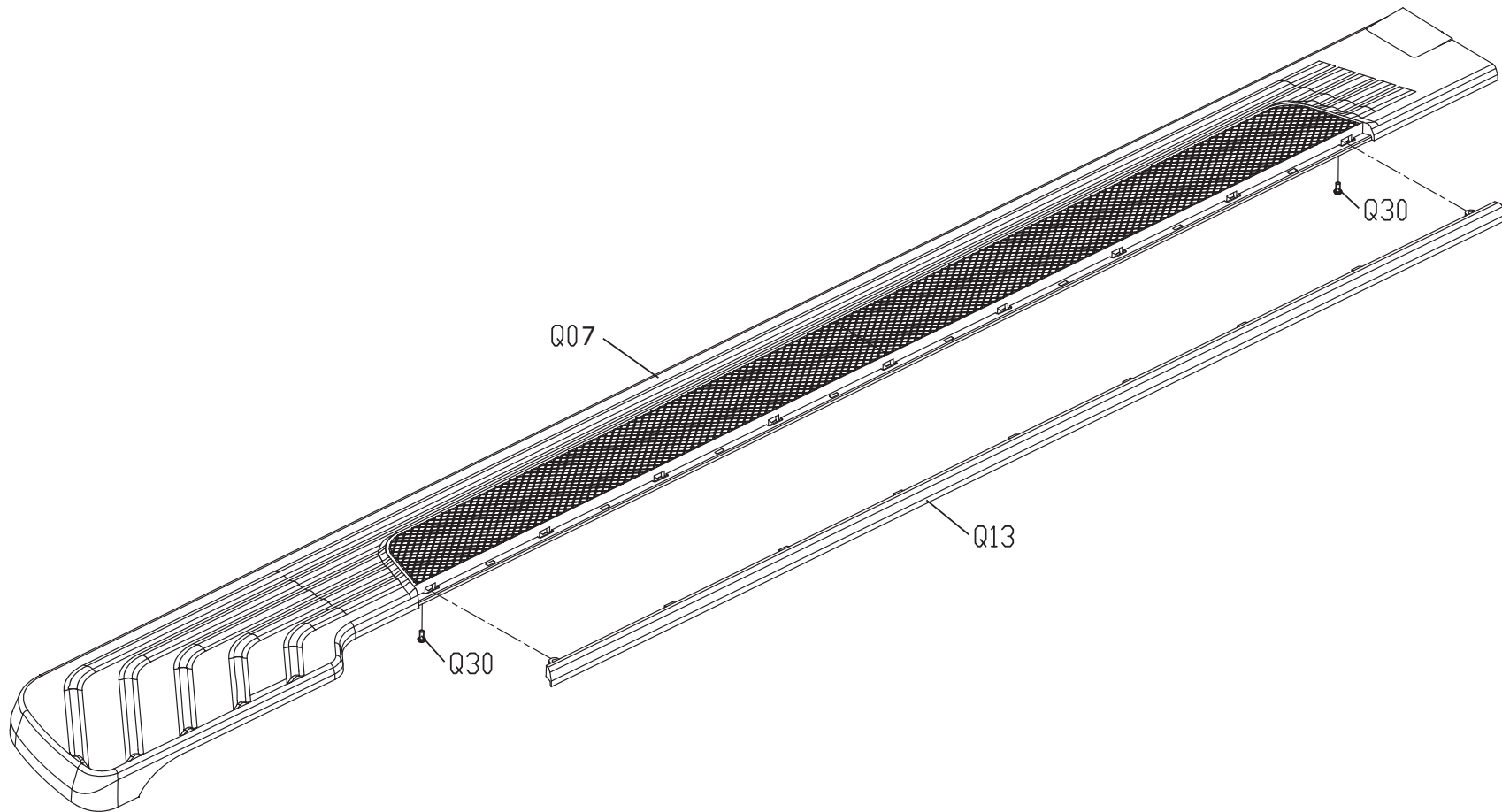
| | | | |
|------------|----------------------|------|--------|
| DRAWING NO | TM538-AQ4 | | |
| PART NAME | Side Rail Set;;right | | |
| PART NO | 1000433956 B | | |
| APPROVE | Albert | DATE | 062619 |



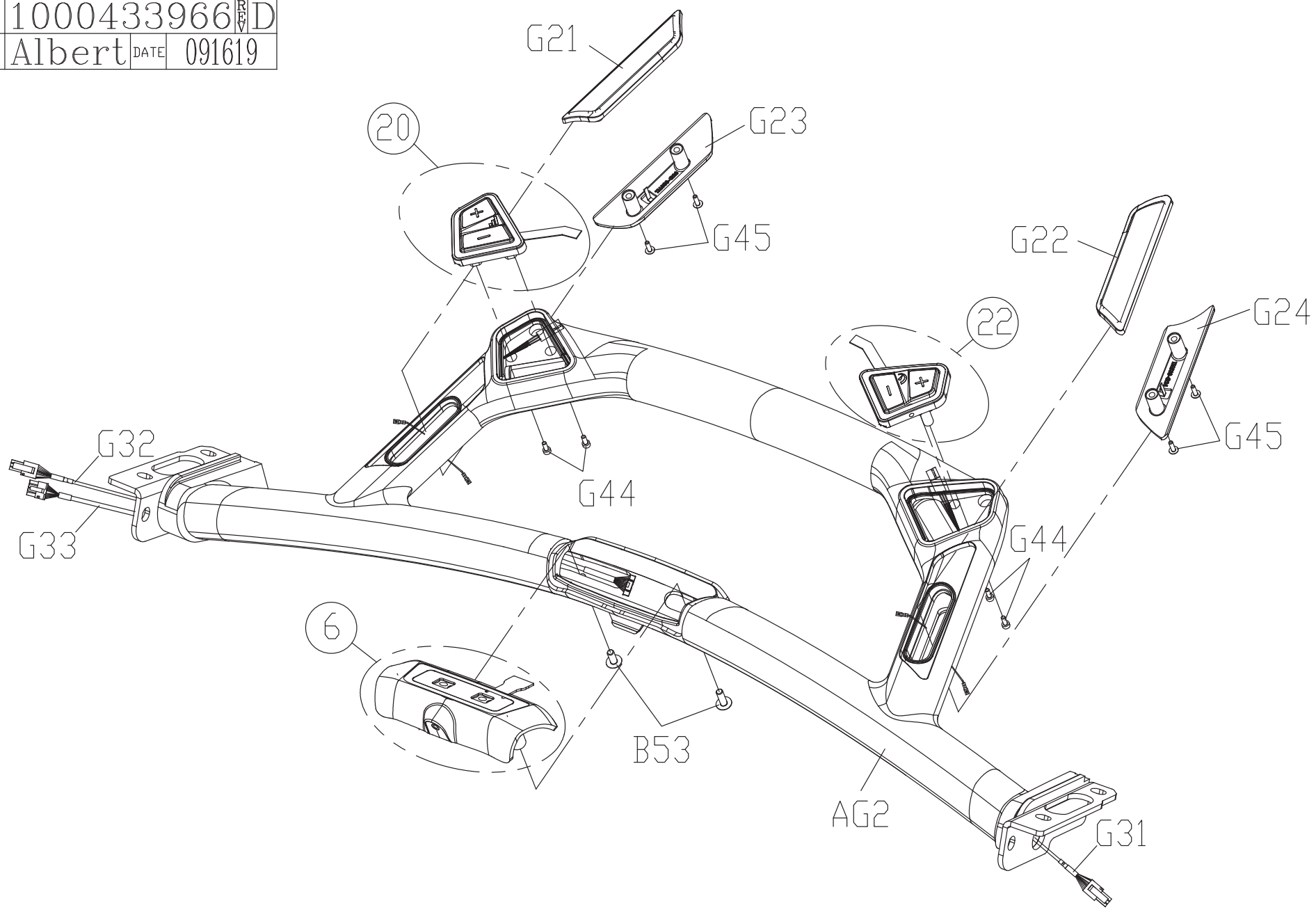
| | | | |
|------------|---------------------------------|------|--------|
| DRAWING NO | TM538-AQ10 | | |
| PART NAME | Motor Cover Set;up | | |
| PART NO | 1000433957 <small>REV</small> B | | |
| APPROVE | MING | DATE | 070119 |



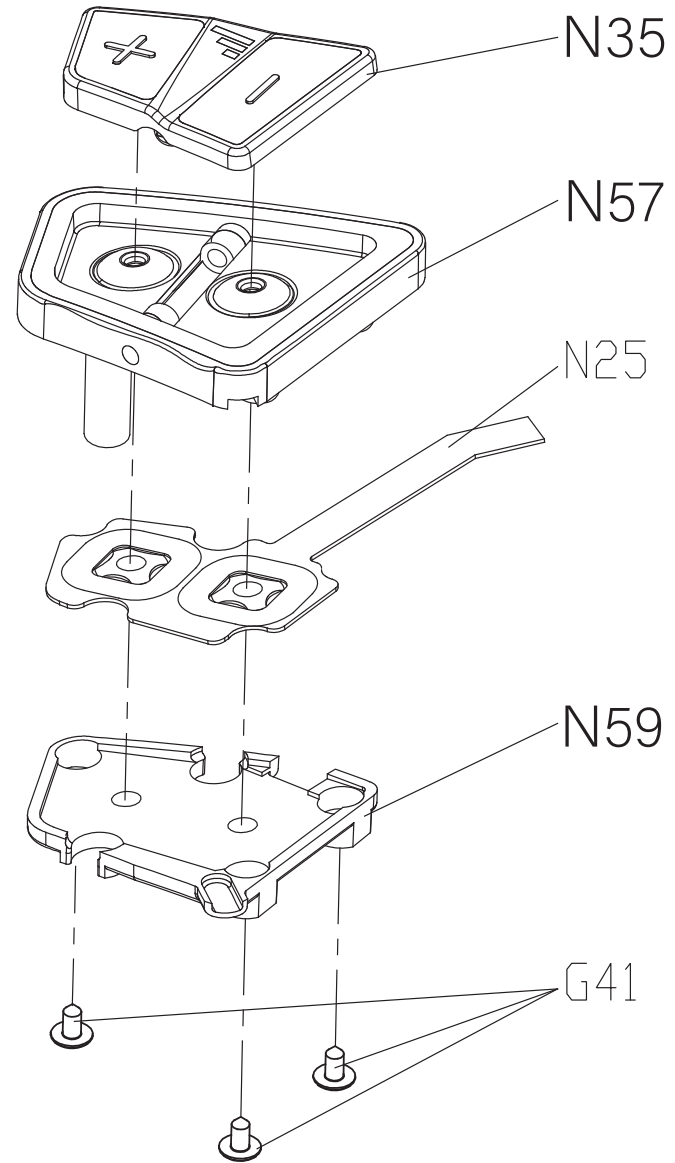
| | | | |
|------------|---------------------|------|--------|
| DRAWING NO | TM538-AQ3 | | |
| PART NAME | Side Rail Set;;left | | |
| PART NO | 1000433959 | REV | B |
| APPROVE | Albert | DATE | 062619 |



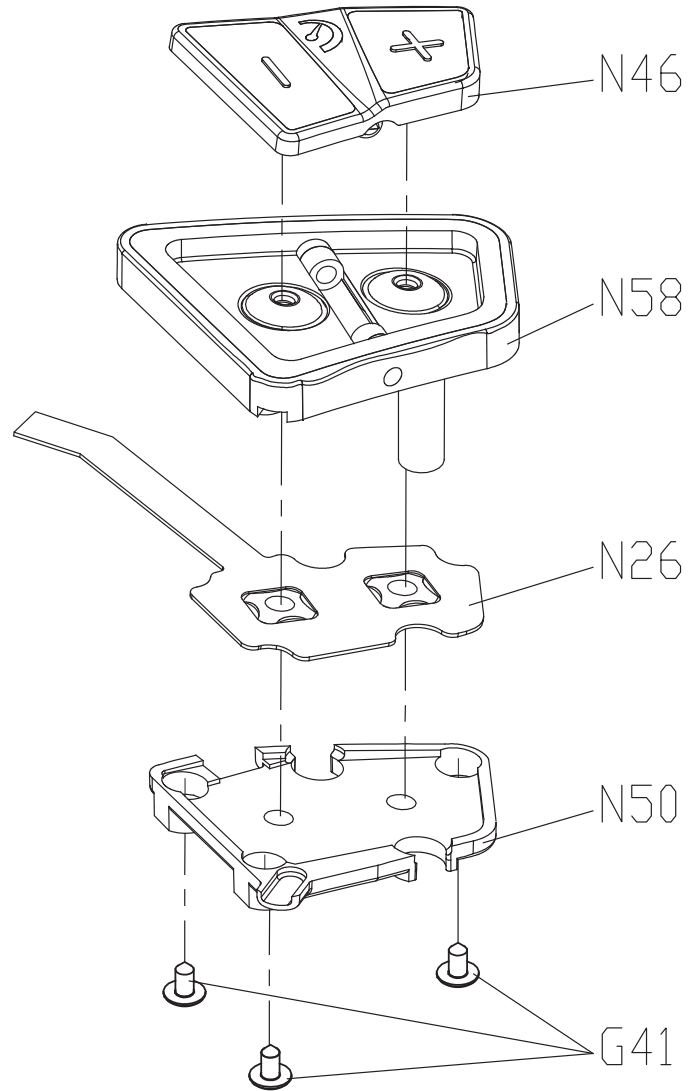
| | | | |
|------------|---------------------------------|------|--------|
| DRAWING NO | TM538-AG21 | | |
| PART NAME | Handlebar Set | | |
| PART NO | 1000433966 <small>REV D</small> | | |
| APPROVE | Albert | DATE | 091619 |



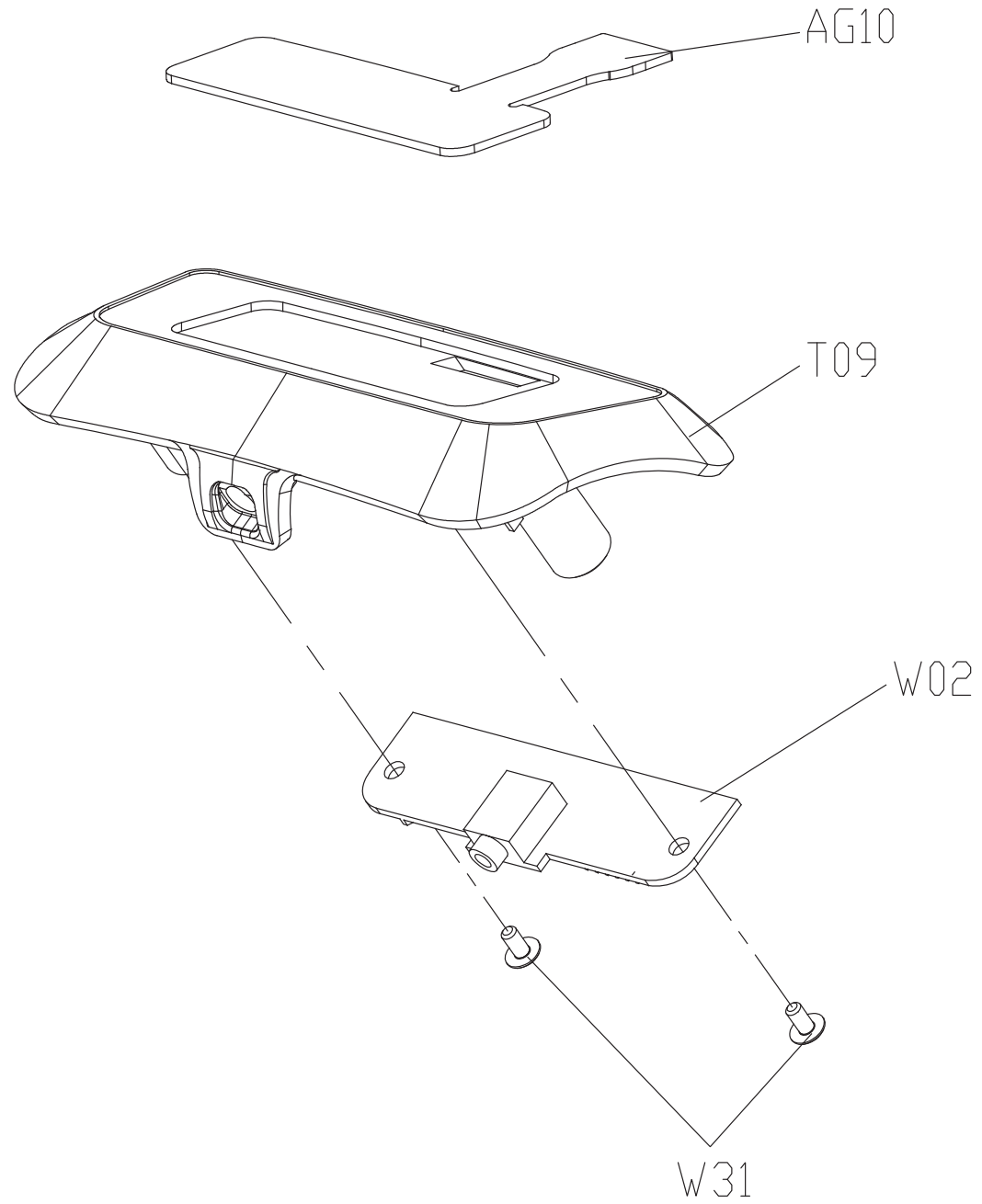
| | | | |
|------------|-----------------------------------|------|--------|
| DRAWING NO | TM538-AG23 | | |
| PART NAME | Pulse Sensor Set;Quickly Key;left | | |
| PART NO | 1000437154 B | | |
| APPROVE | Albert | DATE | 062419 |



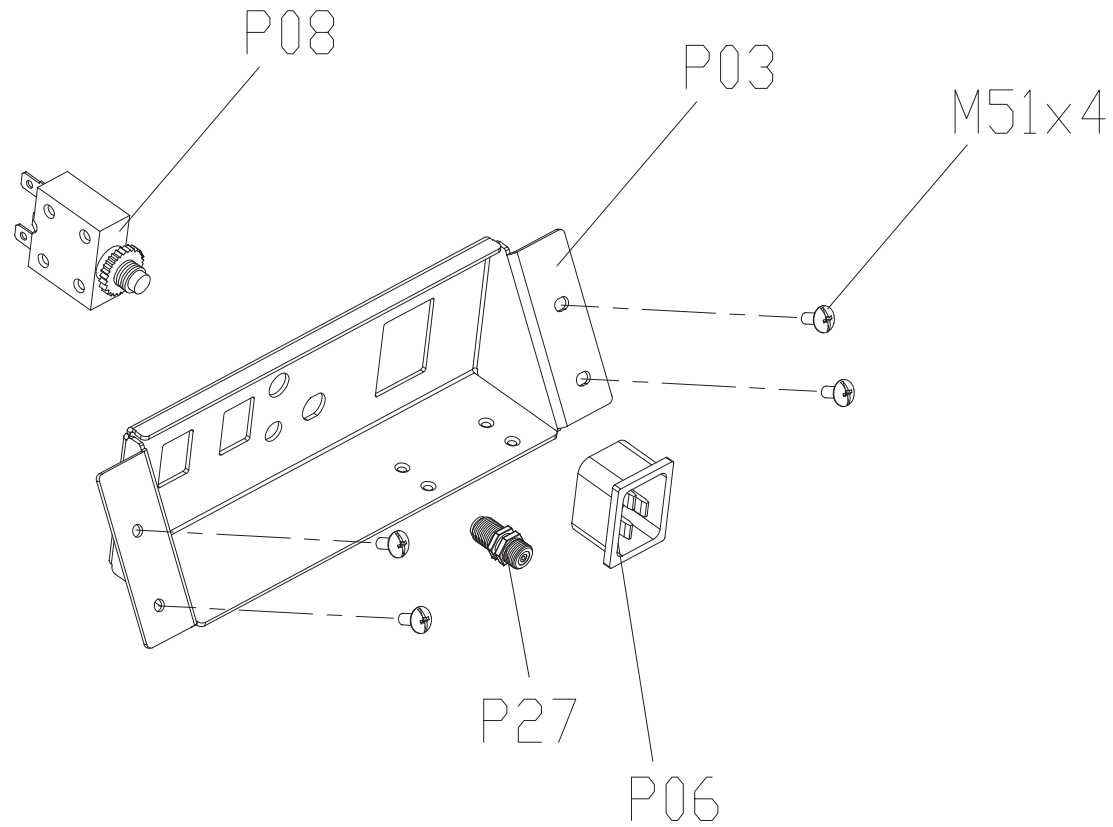
| | | | |
|------------|------------------------------------|------|--------|
| DRAWING NO | TM538-AG24 | | |
| PART NAME | Pulse Sensor Set:Quickly Key:right | | |
| PART NO | 1000437157/B | | |
| APPROVE | Albert | DATE | 062519 |



| | | | |
|------------|----------------------------------|------|--------|
| DRAWING NO | TM538-AG25 | | |
| PART NAME | Overlay Set;Start Quick;;English | | |
| PART NO | 1000443081VB | | |
| APPROVE | ming | DATE | 082119 |



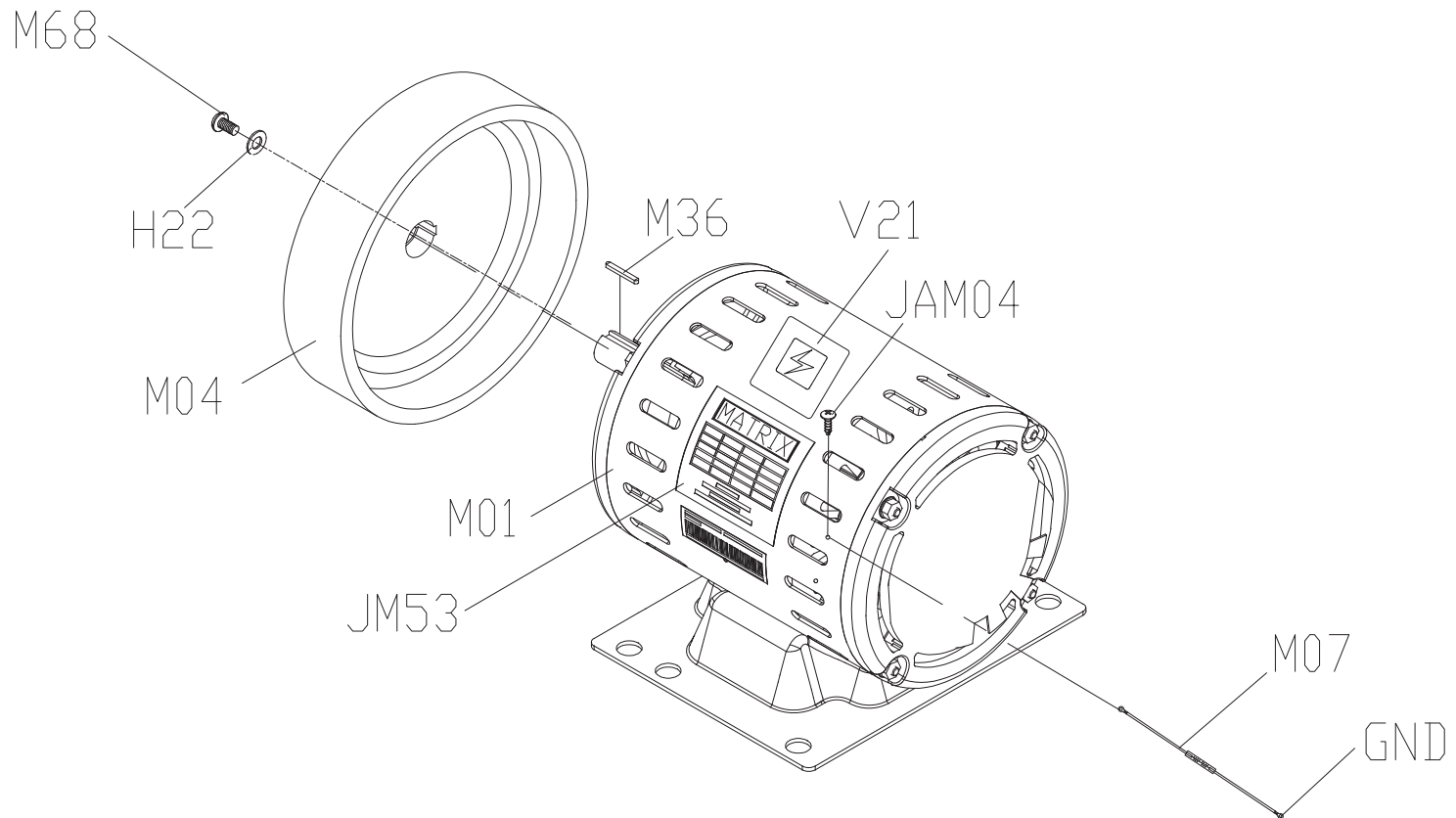
| | | | |
|------------|--------------------------------|------|--------|
| DRAWING NO | TM538-AP14 | | |
| PART NAME | Fixed chipset; Electronic Part | | |
| PART NO | See attached REC | | |
| APPROVE | MING | DATE | 030920 |



| SAP No. | Description |
|------------|-------------|
| 1000443247 | US/110V |
| 1000443252 | KM/220V |

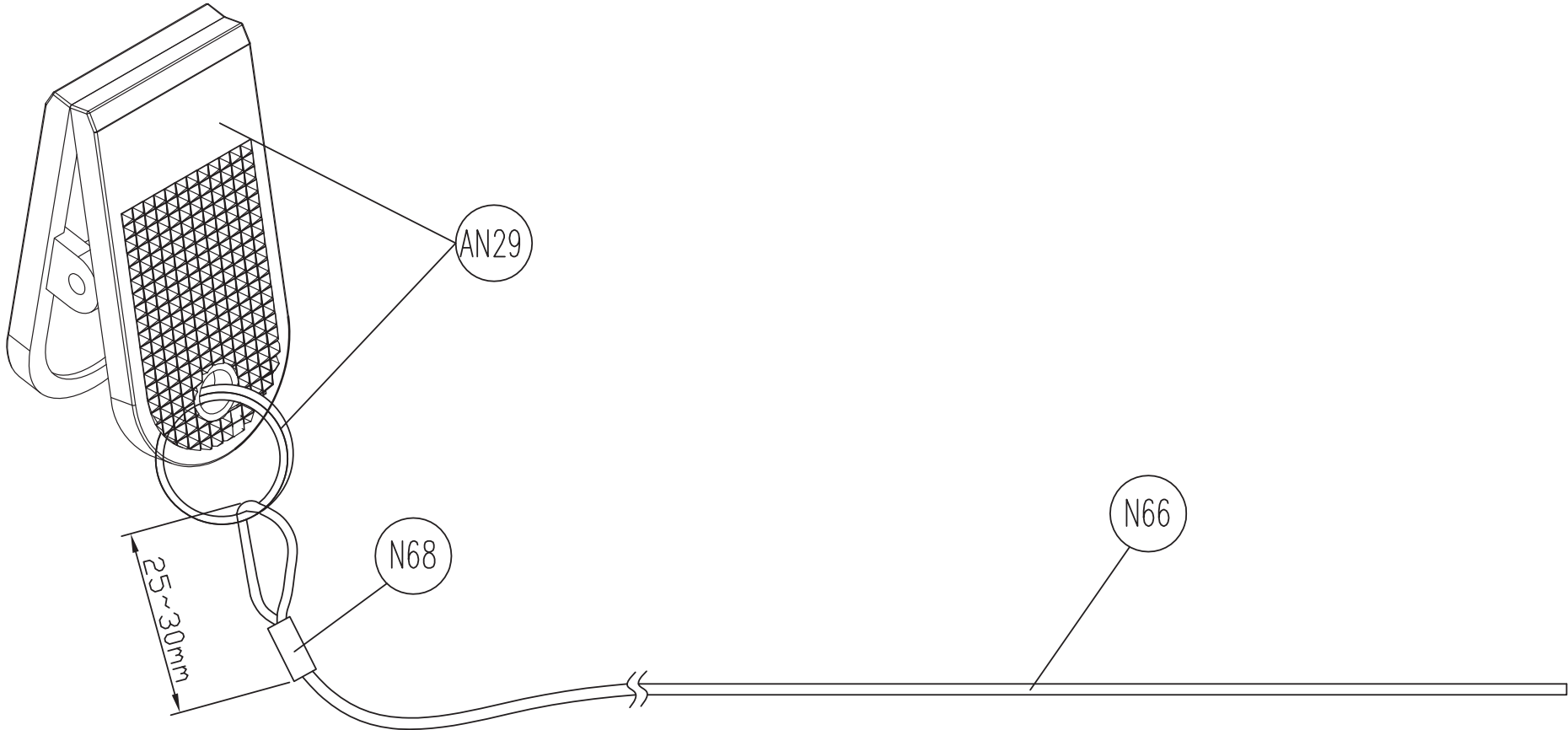
| | | | |
|------------|---------------------------------|------|--------|
| DRAWING NO | TM538-AM2 | | |
| PART NAME | Motor Set | | |
| PART NO | 1000448260 <small>REV C</small> | | |
| APPROVE | ALLEN | DATE | 041720 |


Notes:
Deviation: under 0.4mm

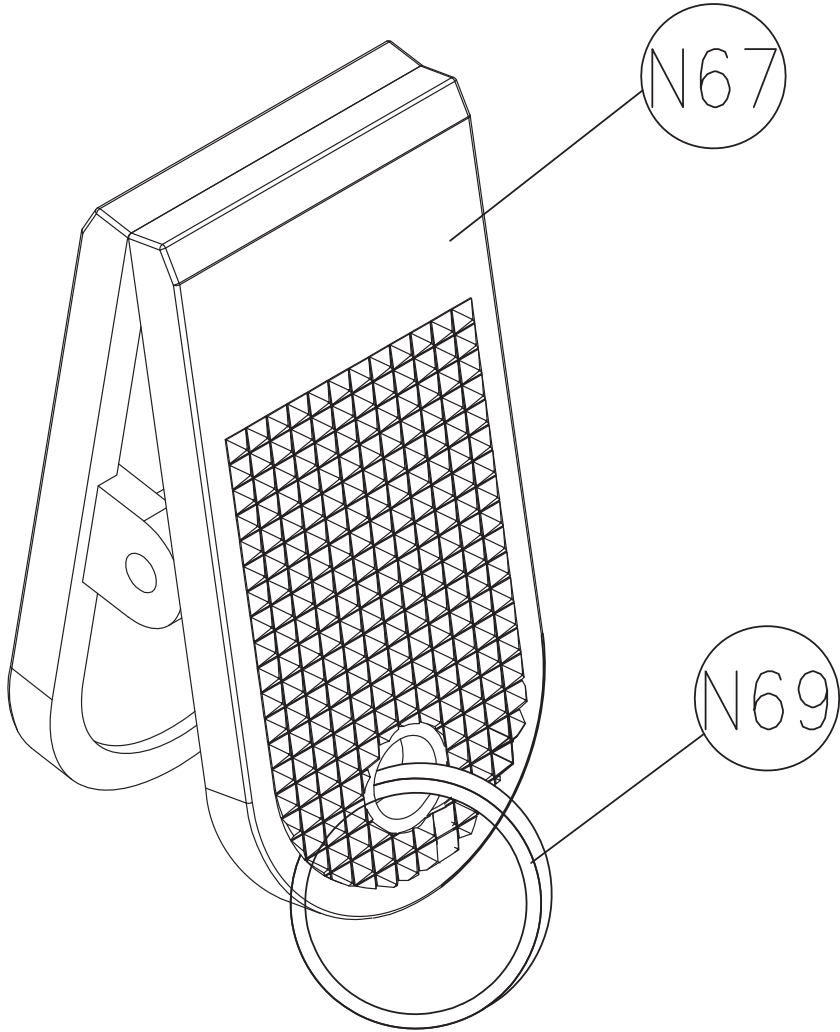


| | | | |
|------------|-------------------|------|--------|
| DRAWING NO | TM501-AN13 | | |
| PART NAME | Safety Switch Set | | |
| PART NO | 1000231246 | | |
| APPROVE | SHUYI | DATE | 070813 |

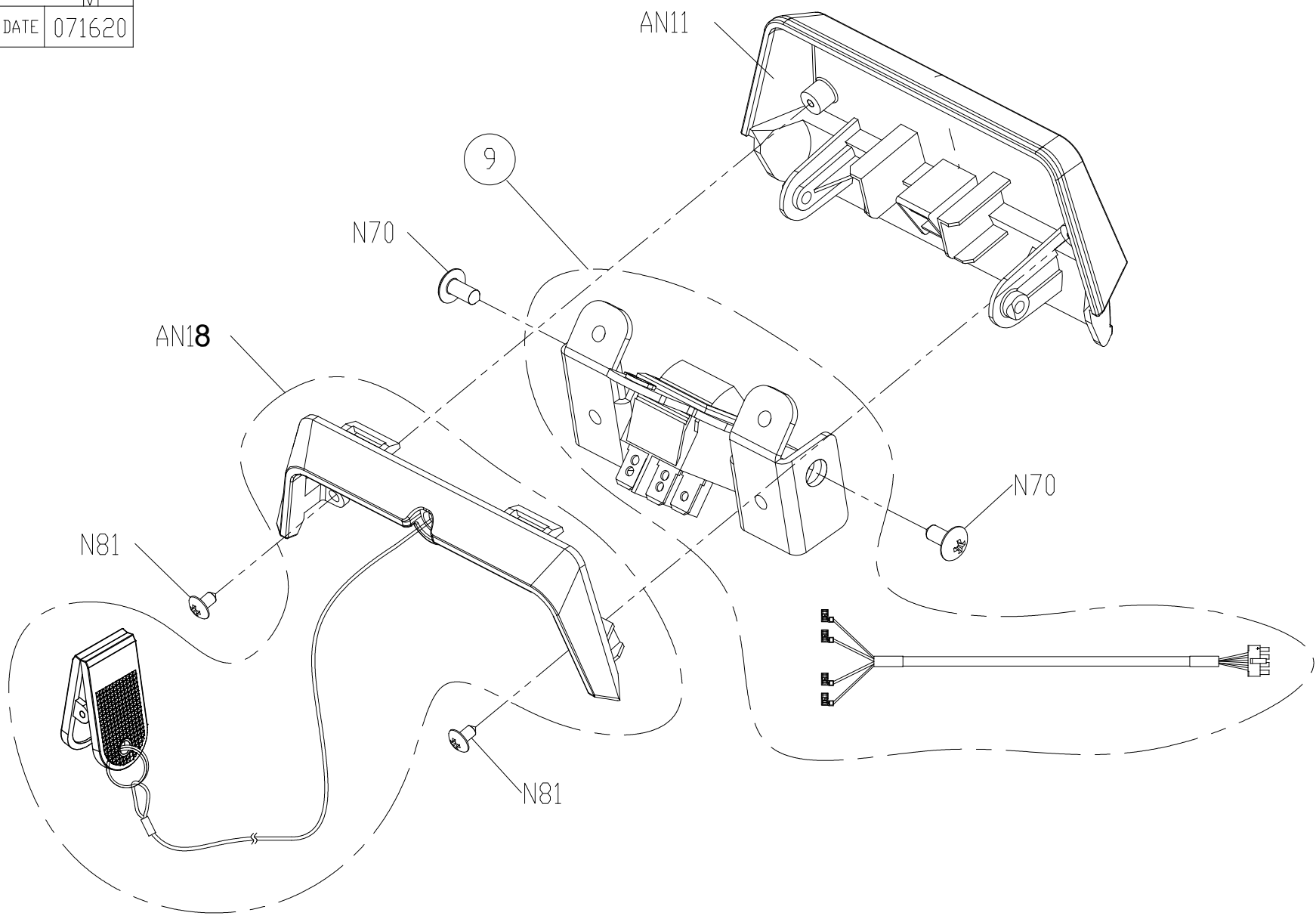
備註: 組裝後總長度(含夾子/鑰匙圈)860~870mm
 Note: Length of assembly(Chip/Key ring)860~870mm



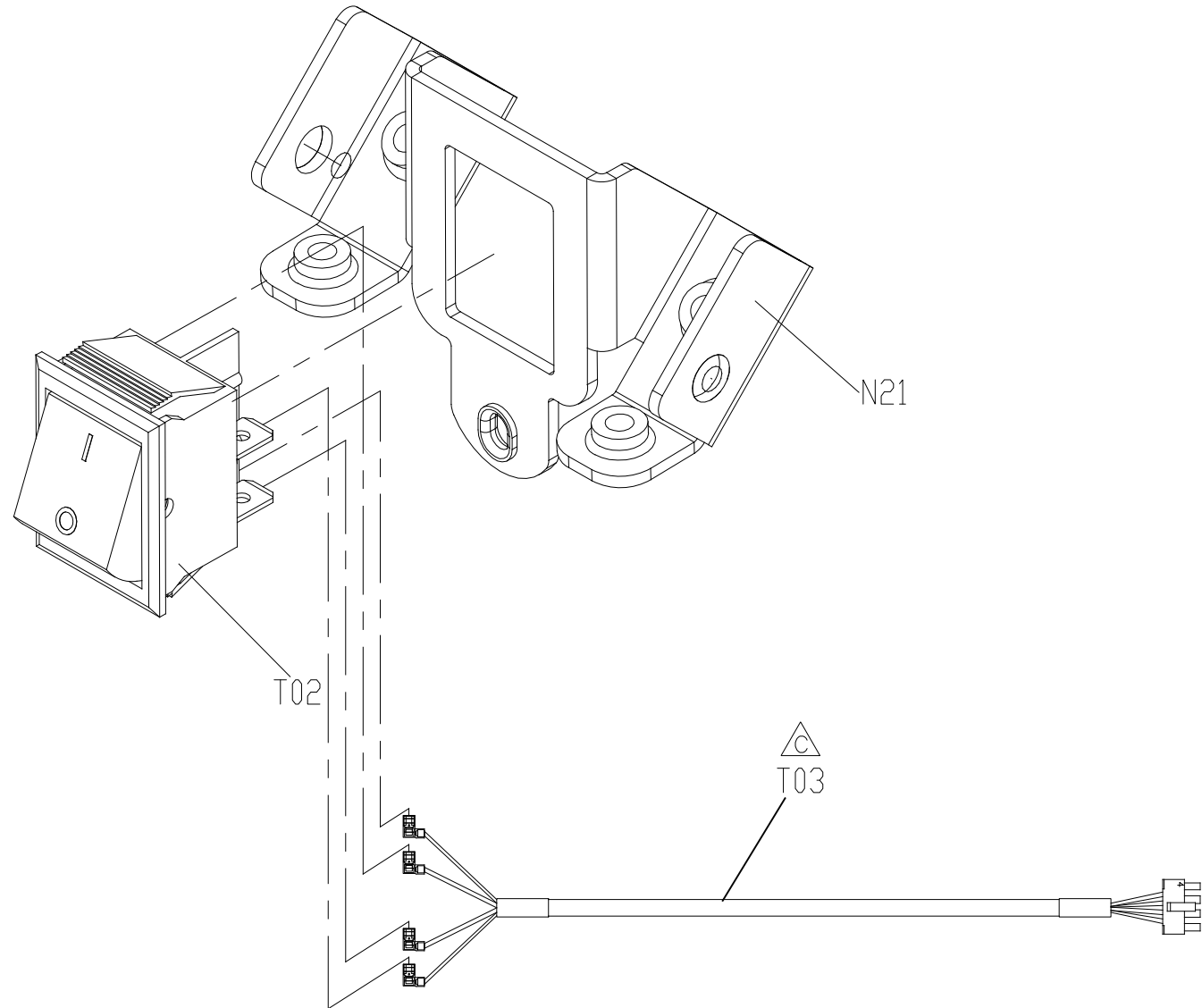
| | | | |
|------------|------------------------|---|--------|
| DRAWING NO | TM501-AN29 | | |
| PART NAME | Safety Switch Clip Set | | |
| PART NO | 1000231247 |  | A |
| APPROVE | S.T.C | DATE | 032612 |



| | | | |
|------------|------------------------|------|--------|
| DRAWING NO | TM538-AN10 | | |
| PART NAME | SAFETY KEY SET;CONSOLE | | |
| PART NO | 1000454400 | REV | C |
| APPROVE | ALLEN | DATE | 071620 |



| | | | |
|------------|----------------------|------|--------|
| DRAWING NO | TM538-AN12 | | |
| PART NAME | SAFETY KEY COVER SET | | |
| PART NO | 1000454402 | REV | C |
| APPROVE | ALLEN | DATE | 071620 |



| | | | |
|------------|----------------|------|--------|
| DRAWING NO | TM538-AN13 | | |
| PART NAME | SAFETY KEY SET | | |
| PART NO | 1000454403 | REV | B |
| APPROVE | ALBERT | DATE | 060520 |

