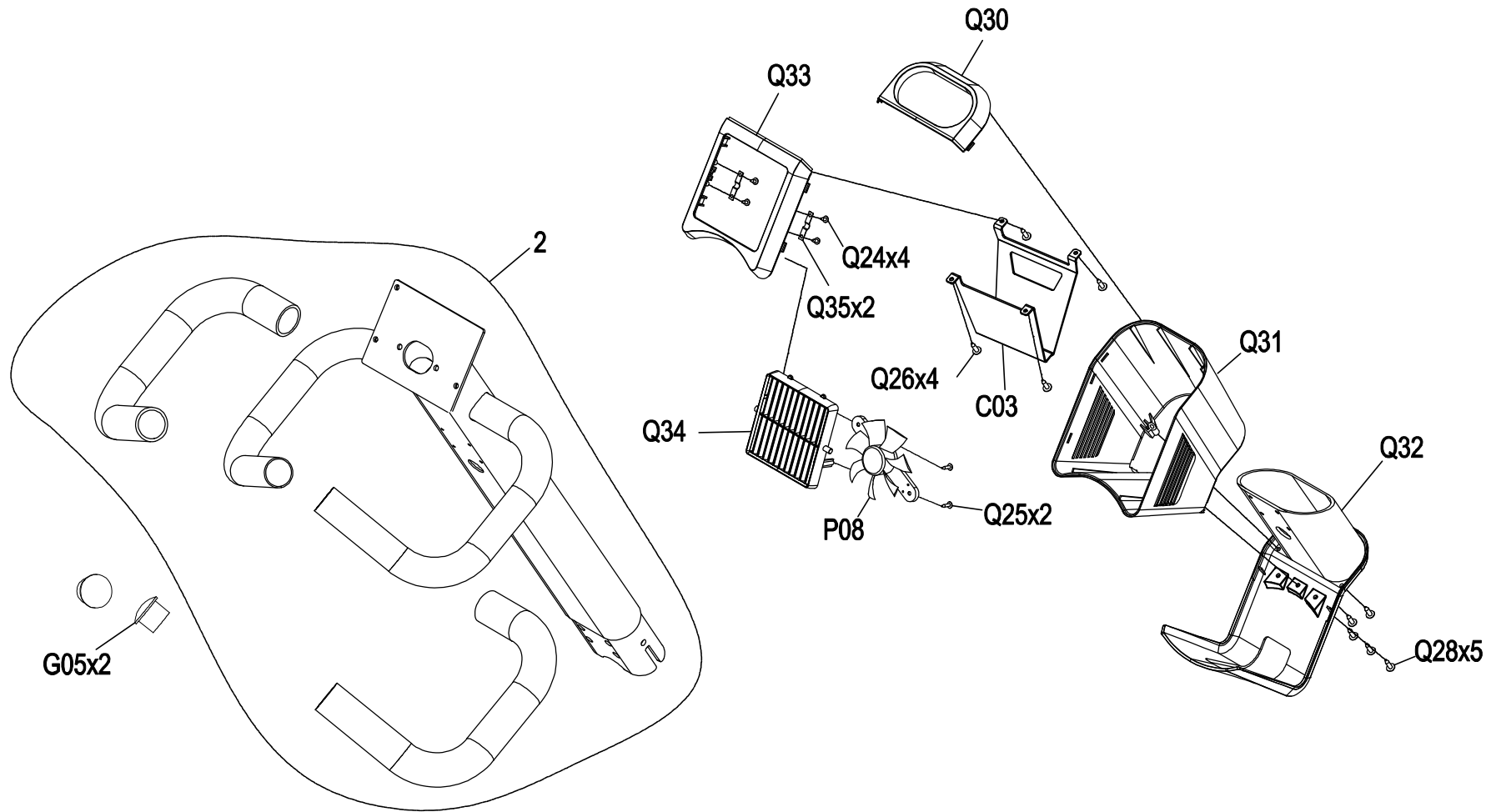
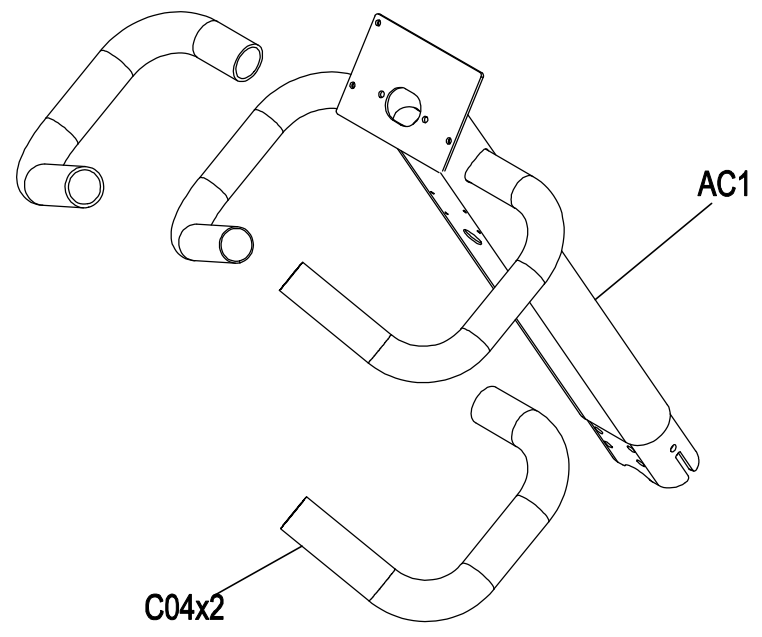


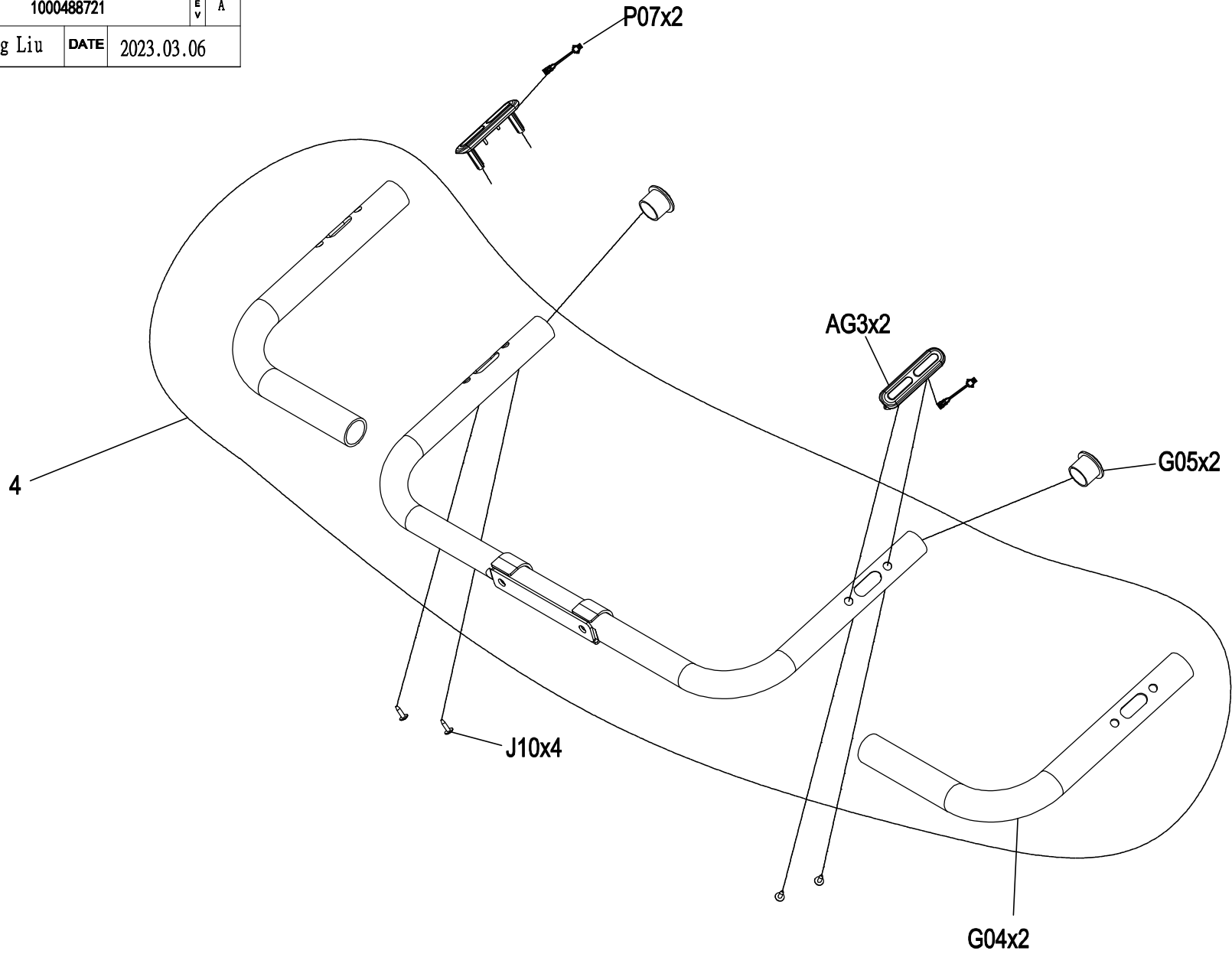
| | | | |
|------------|---------------------|------|------------|
| DRAWING NO | RB167-A11 | | |
| PART NAME | Explosive Rendering | | |
| PART NO | 1000488705 | REV | A |
| APPROVE | Keliang Liu | DATE | 2023.03.06 |



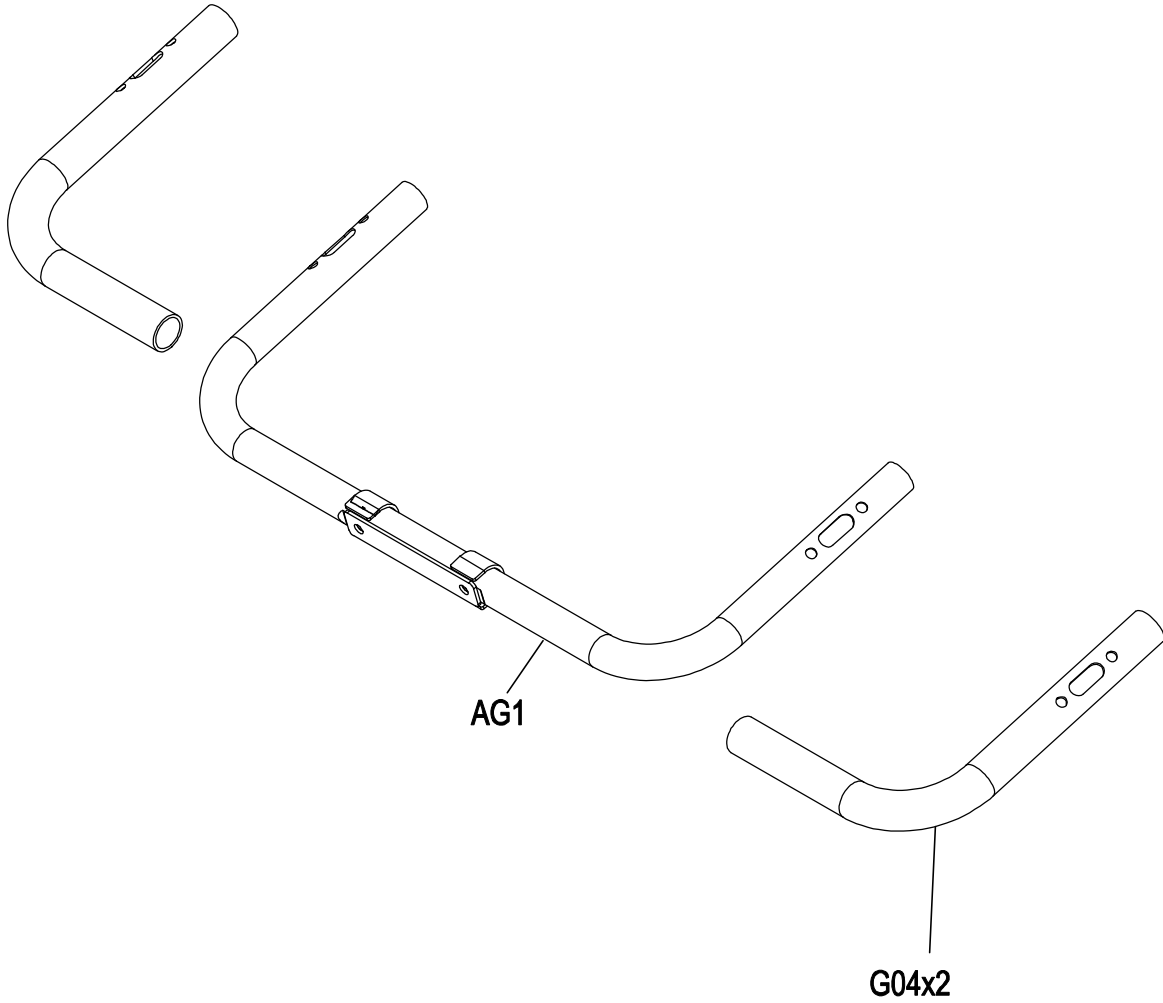
| | | | |
|------------|---------------------|------|------------|
| DRAWING NO | RB167-A12 | | |
| PART NAME | Explosive Rendering | | |
| PART NO | 1000488706 | REV | A |
| APPROVE | Keliang Liu | DATE | 2023.03.06 |



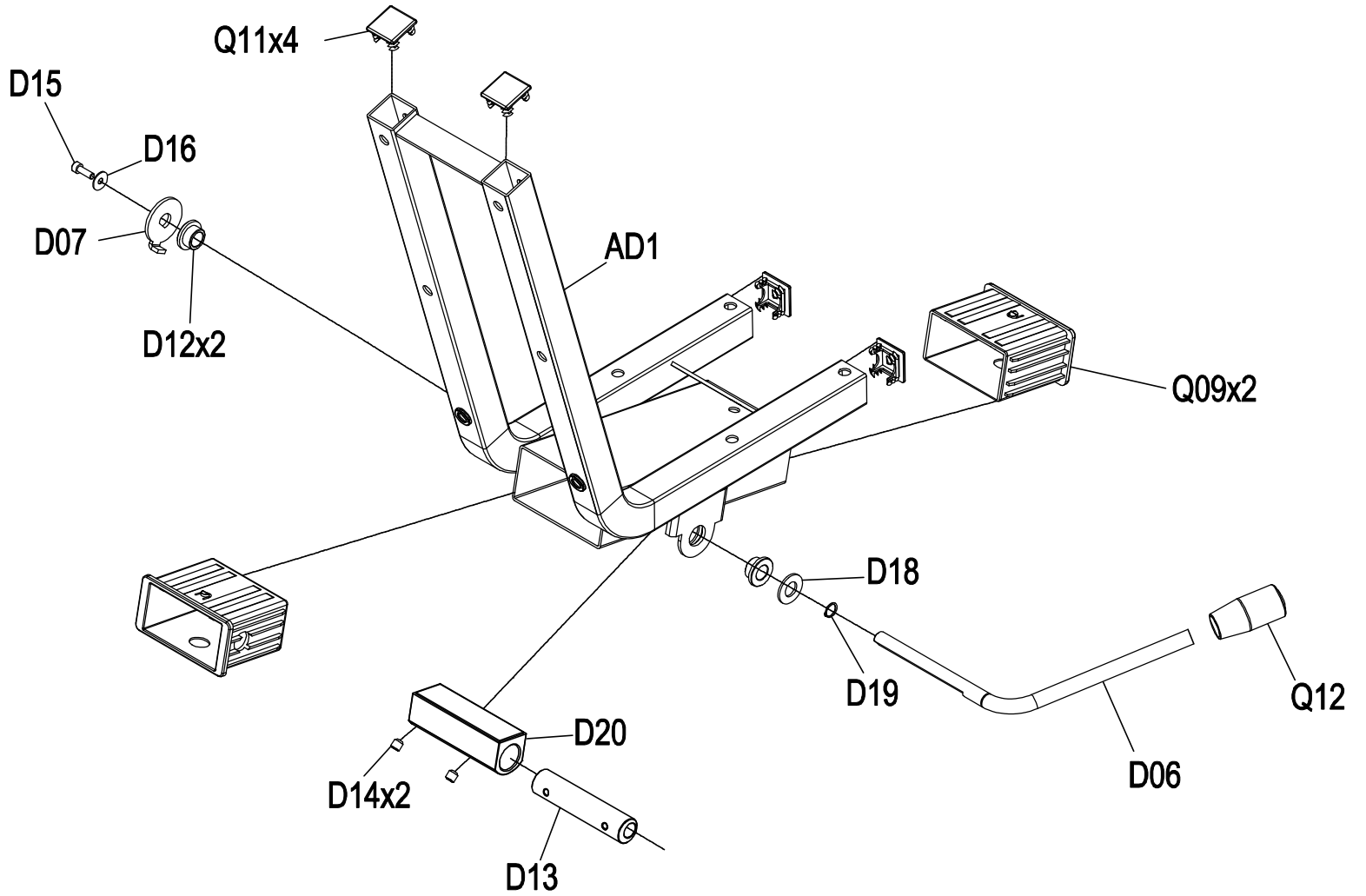
| | | | |
|------------|---------------------|------|------------|
| DRAWING NO | RB167-A13 | | |
| PART NAME | Explosive Rendering | | |
| PART NO | 1000488721 | REV | A |
| APPROVE | Keliang Liu | DATE | 2023.03.06 |



| | | | |
|------------|---------------------|------|------------|
| DRAWING NO | RB167-A14 | | |
| PART NAME | Explosive Rendering | | |
| PART NO | 1000488723 | REV | A |
| APPROVE | Keliang Liu | DATE | 2023.03.06 |



| | | | |
|------------|---------------------|------|------------|
| DRAWING NO | RB167-A15 | | |
| PART NAME | Explosive Rendering | | |
| PART NO | 1000488724 | REV | A |
| APPROVE | Keliang Liu | DATE | 2023.03.06 |



| | | | |
|------------|---------------------|------|------------|
| DRAWING NO | RB167-A16 | | |
| PART NAME | Explosive Rendering | | |
| PART NO | 1000488798 | REV | A |
| APPROVE | LiuKeliang | DATE | 2024.11.19 |

