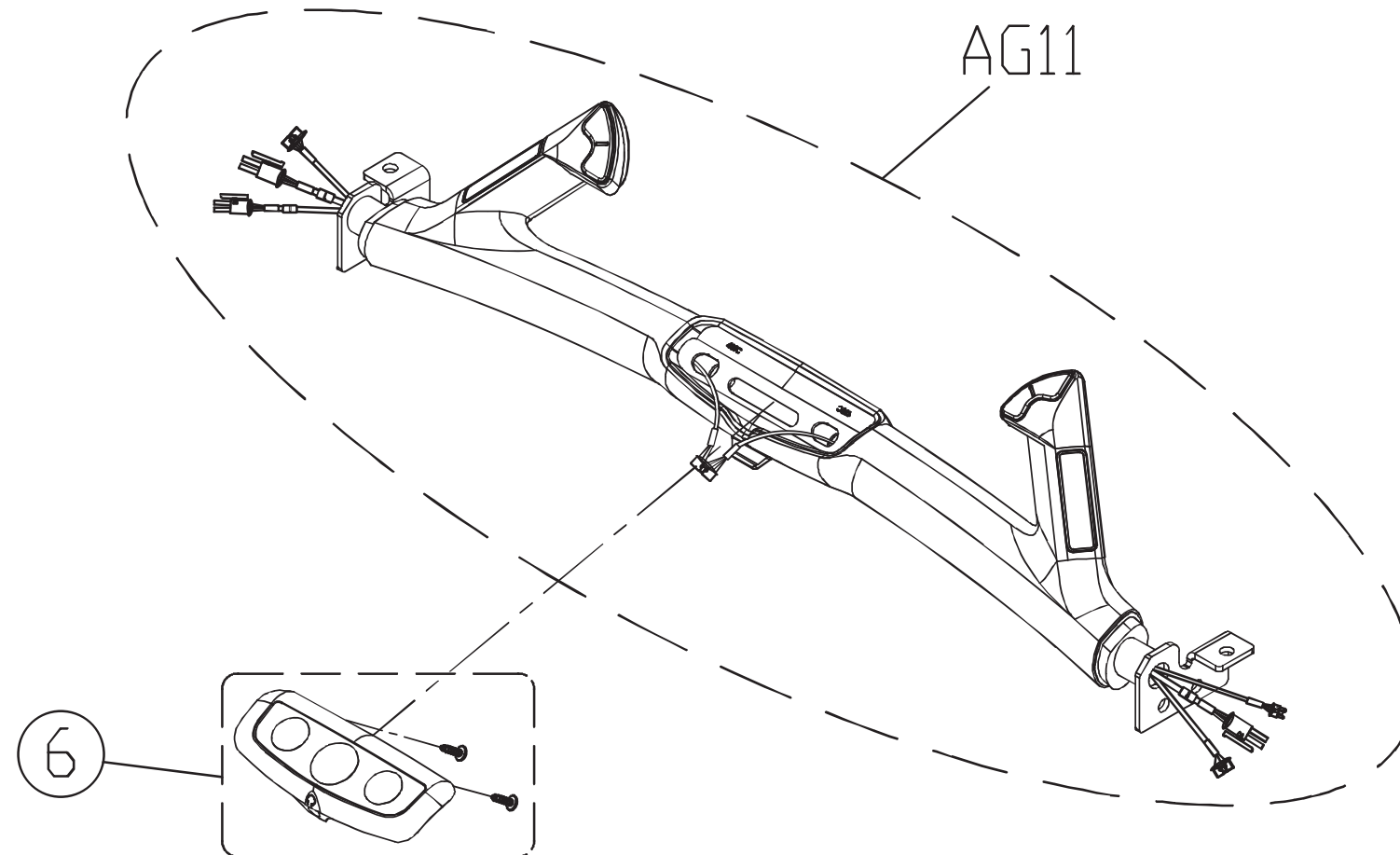
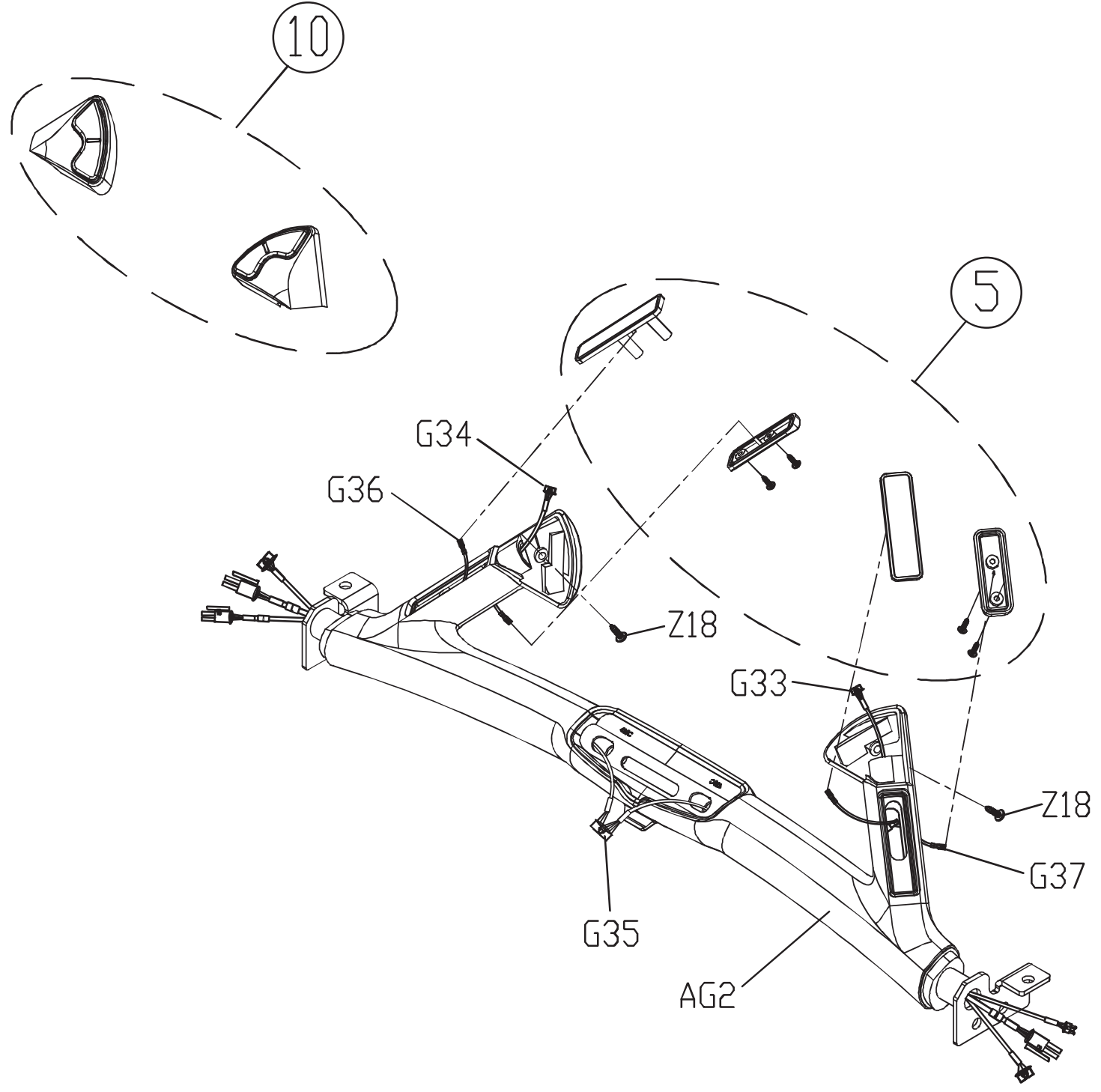


DRAWING NO	TM520-AG21		
PART NAME	Handlebar Set		
PART NO	As Attachment REF		
APPROVE	SHUYI	DATE	012115

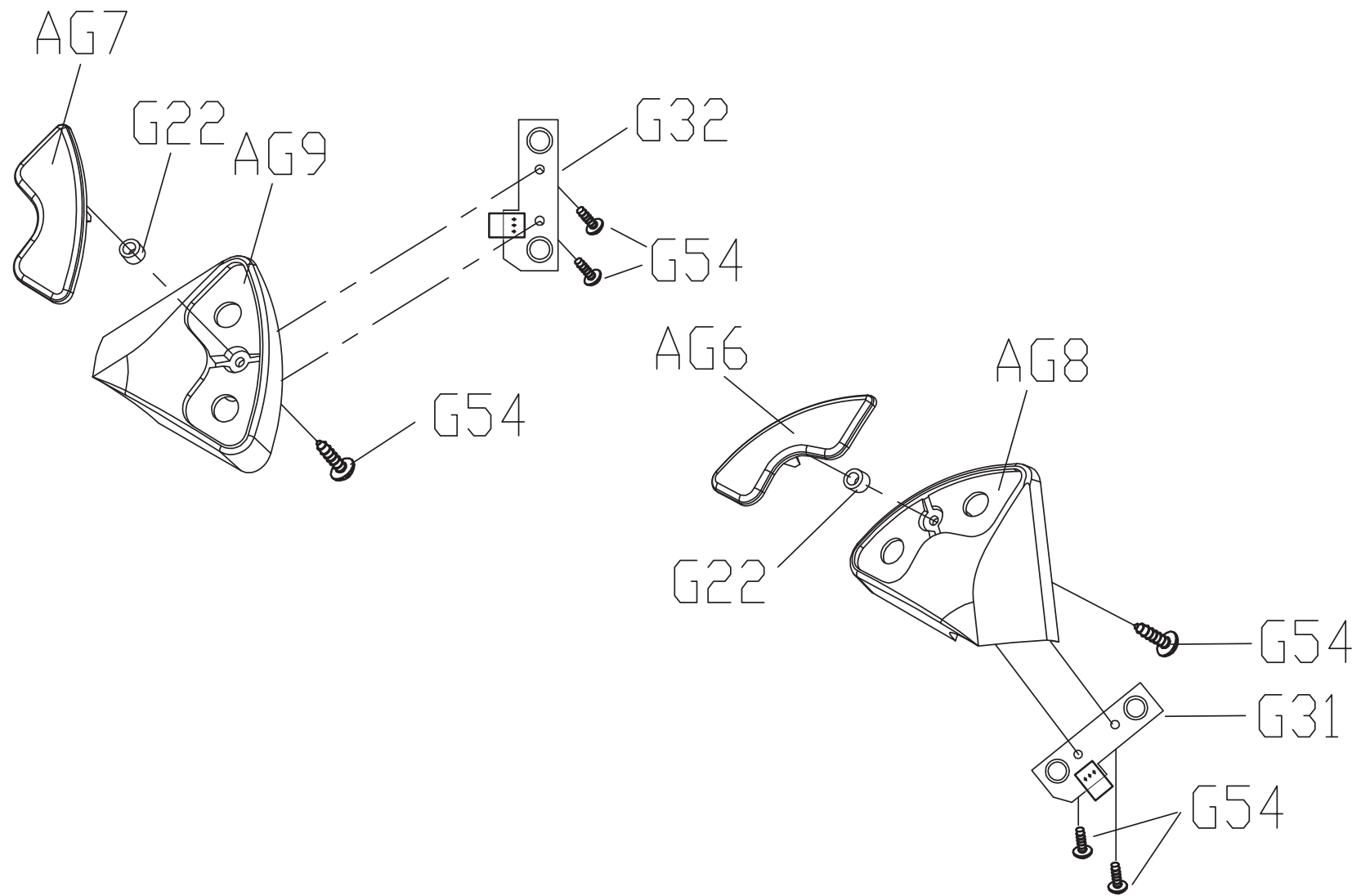


Part NO	Description
1000228703	Handlebar Set;English
1000303220	Handlebar Set;Japan
1000319947	Handlebar Set;Brazil
1000350145	Handlebar Set;German
1000350148	Handlebar Set;Spanish
1000350153	Handlebar Set;Italian
1000350157	Handlebar Set;French
1000350160	Handlebar Set;Dutch
1000350167	Handlebar Set;Polish
1000350163	Handlebar Set;Portuguese

DRAWING NO	TM502-AG11		
PART NAME	Handlebar Set		
PART NO	1000207642 ^R / _B		
APPROVE	SHUYI	DATE	030111



DRAWING NO	TM502-AG12		
PART NAME	Quick Key Set		
PART NO	0000089687 ^R ₁ B		
APPROVE	SHUYI	DATE	101211

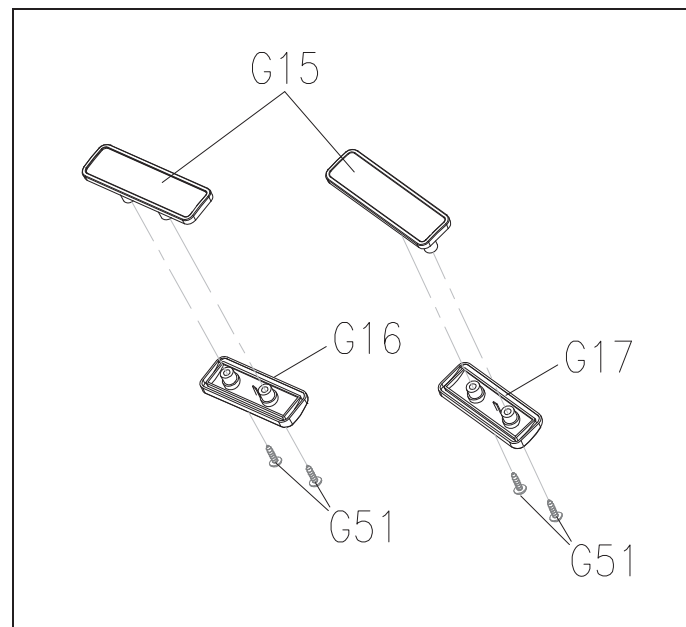




T7x-01-C

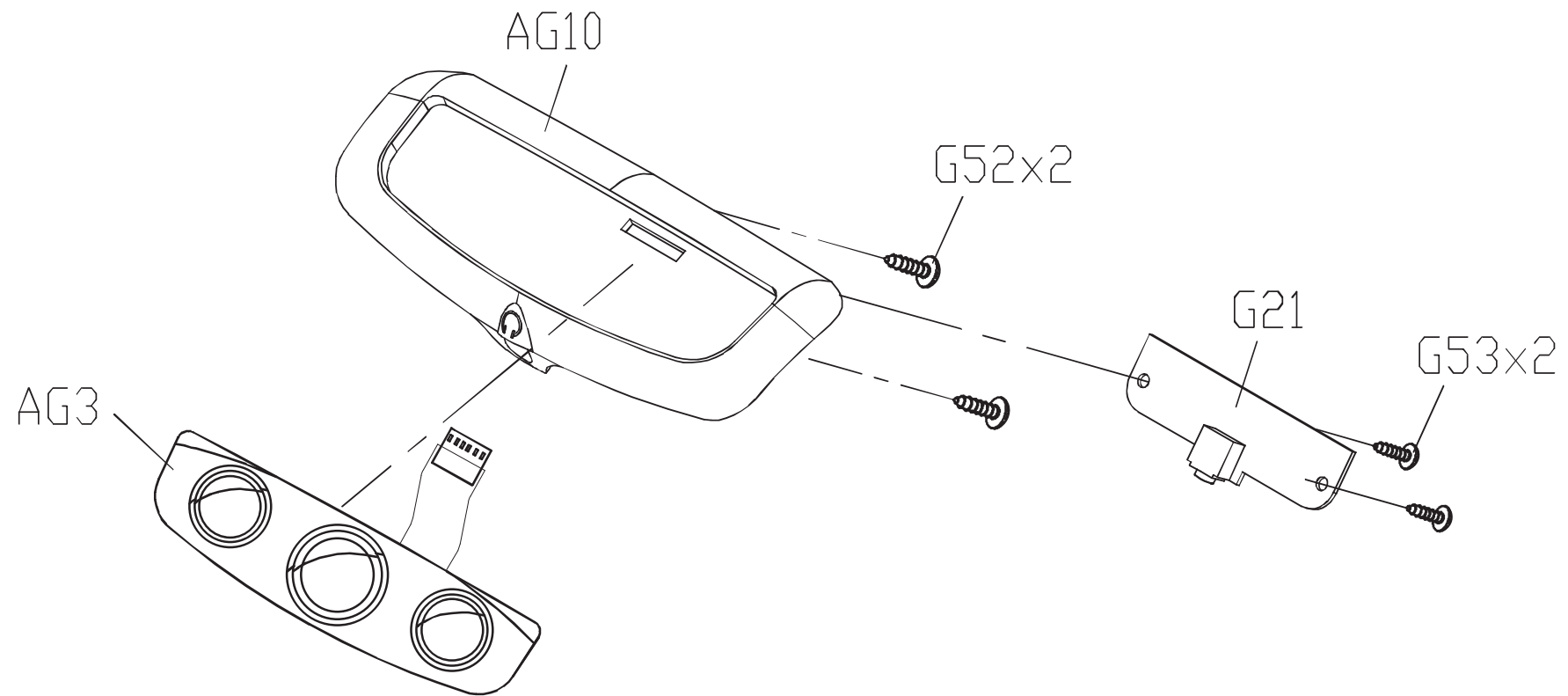
0000091816

HR GRIP COVER SET



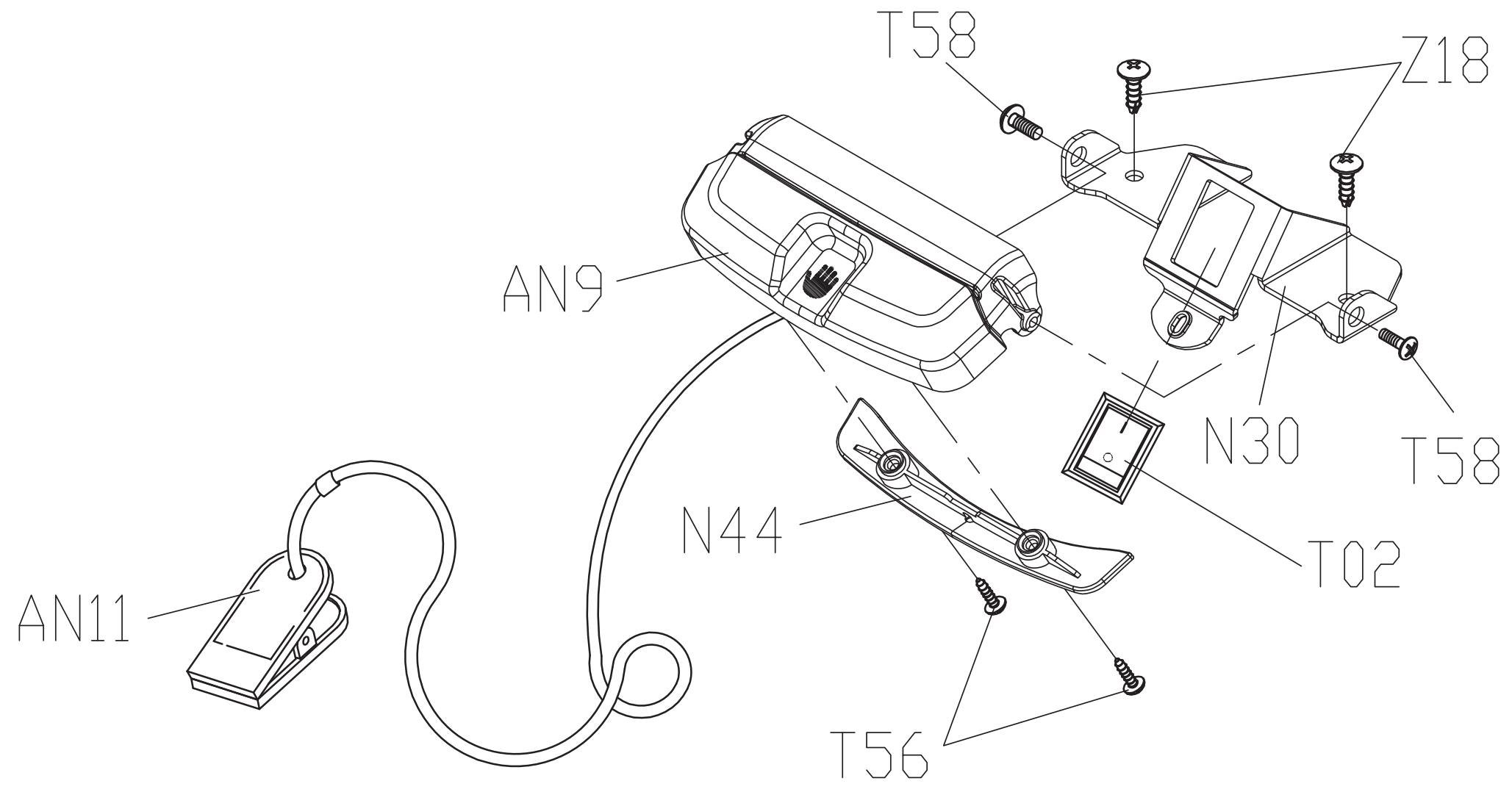
Item No.	SAP Part NO	Description	QTY
G15	0000086068	COVER; SENSOR; UPPER	2
G16	0000086092	COVER; SENSOR; LEFT;	1
G17	0000086271	COVER; SENSOR; RIGHT;	1
G51	0000087858	SCREW; PHILLIP; ROUND;	4

DRAWING NO	TM520-AG12		
PART NAME	Quick Start Overlay Set		
PART NO	As Attachment ^{R/E} E		
APPROVE	SHUYI	DATE	071514



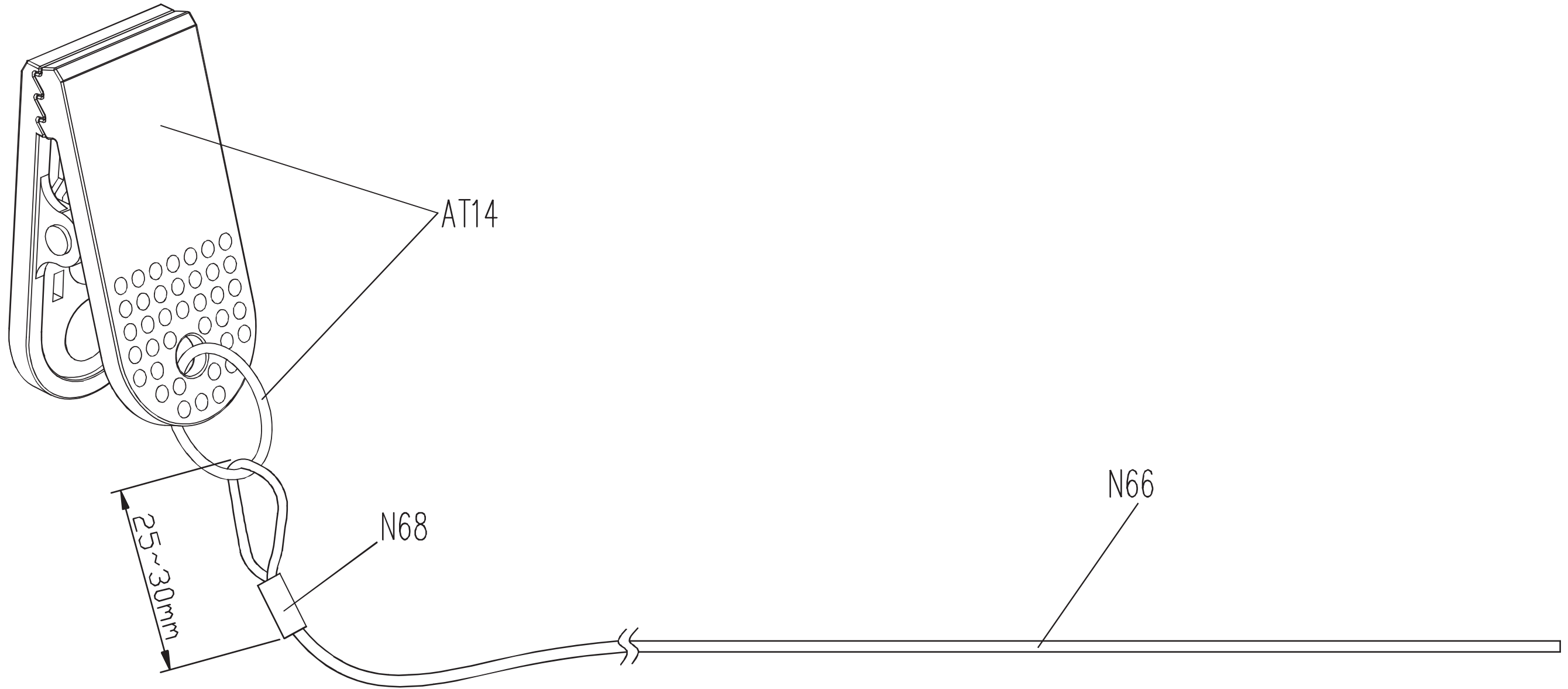
Part NO	Description
1000228679	ES/MS;English;T-7xe-04-C
1000303221	ES/MS;Japan;T-7xe-04-C
1000319948	MS;Portuguese;T-7xe-04-C
1000350146	MS;German;T-7xe-04-C
1000350150	MS;Spanish;T-7xe-04-C
1000350155	MS;Italian;T-7xe-04-C
1000350158	MS;French;T-7xe-04-C
1000350161	MS;Dutch;T-7xe-04-C
1000350168	MS;Polish;T-7xe-04-C

DRAWING NO	TM501-AT6		
PART NAME	SAFETY KEY SET		
PART NO	1000233602 ^R / _B		
APPROVE	S.T.C	DATE	083112

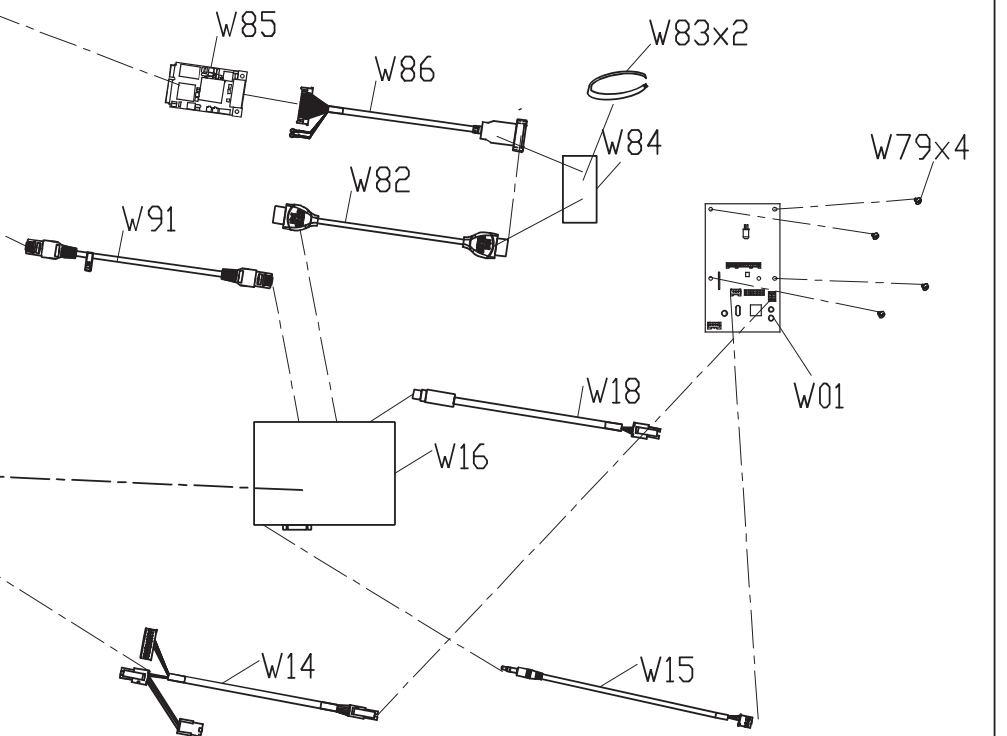
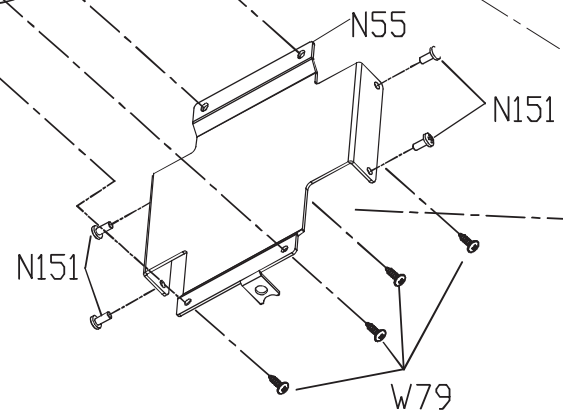
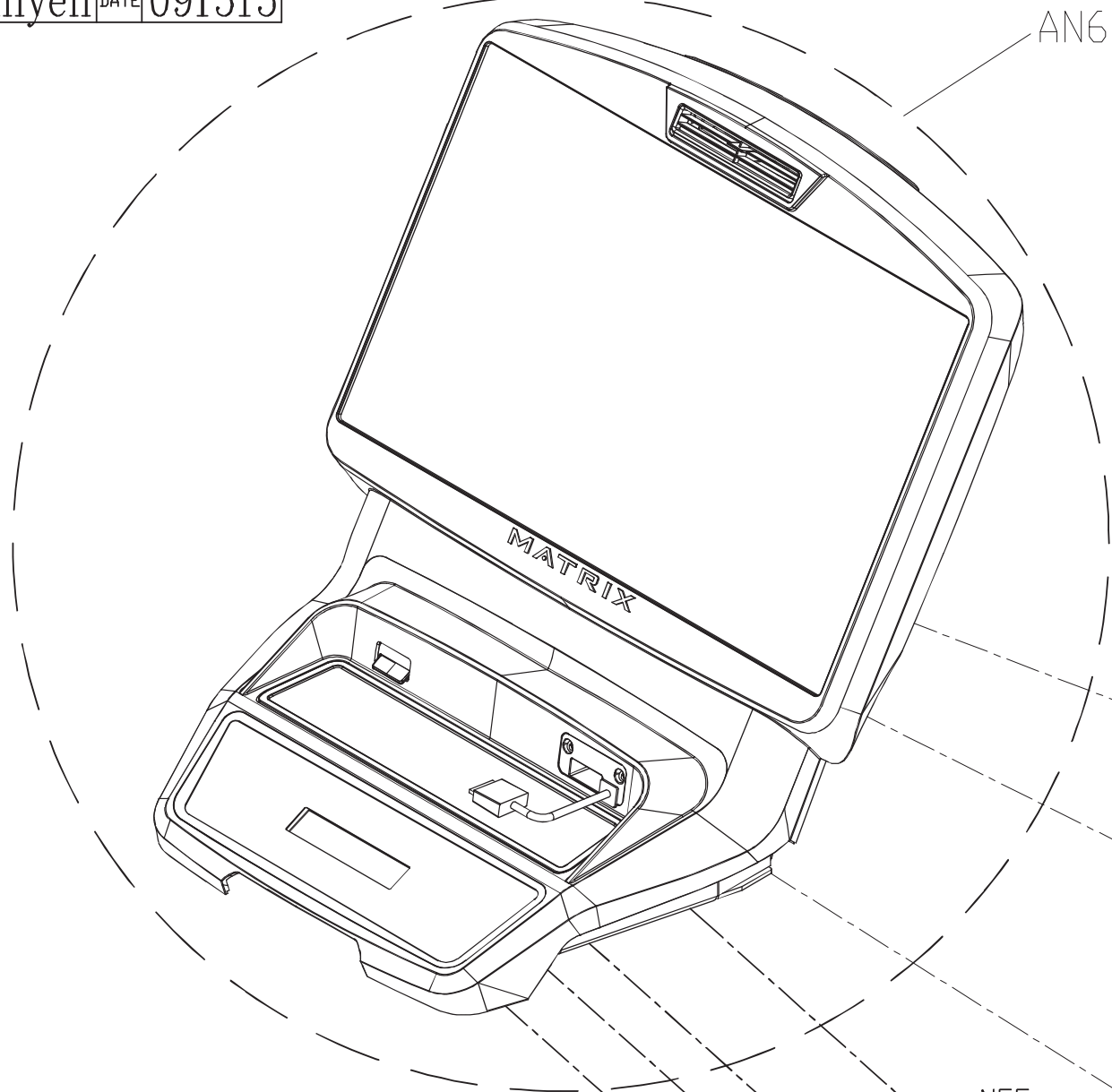


DRAWING NO	TM501-AT13		
PART NAME	Safety Switch Set		
PART NO	1000352475 ^R _B		
APPROVE	JARVIS	DATE	100314

Note: Length of assembly(Chip/Key ring)860~870mm

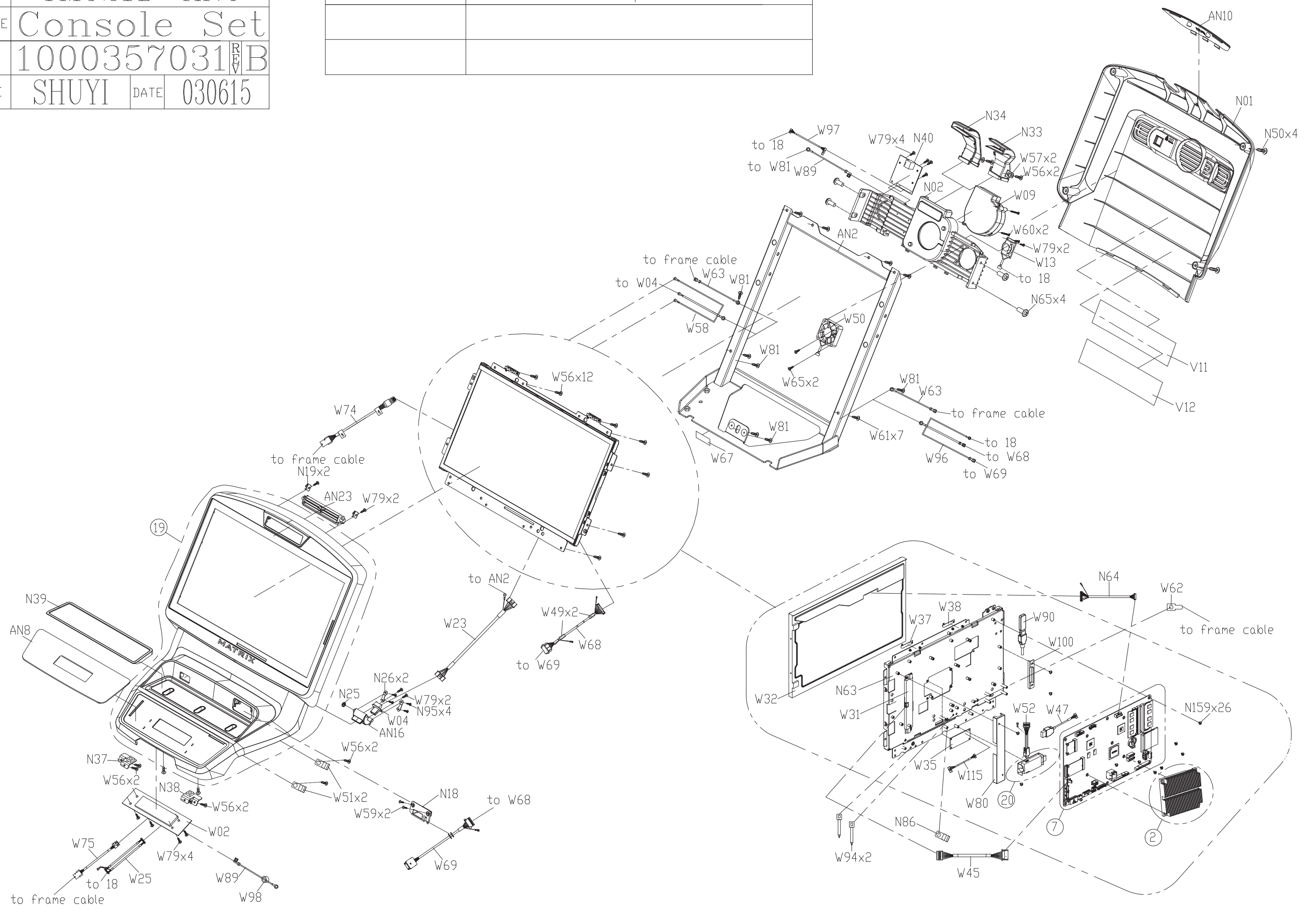


DRAWING NO	TM521F-AN6
PART NAME	Explosive Rendering Console
PART NO	1000372813 B
APPROVE	Hsinyen DATE 091515

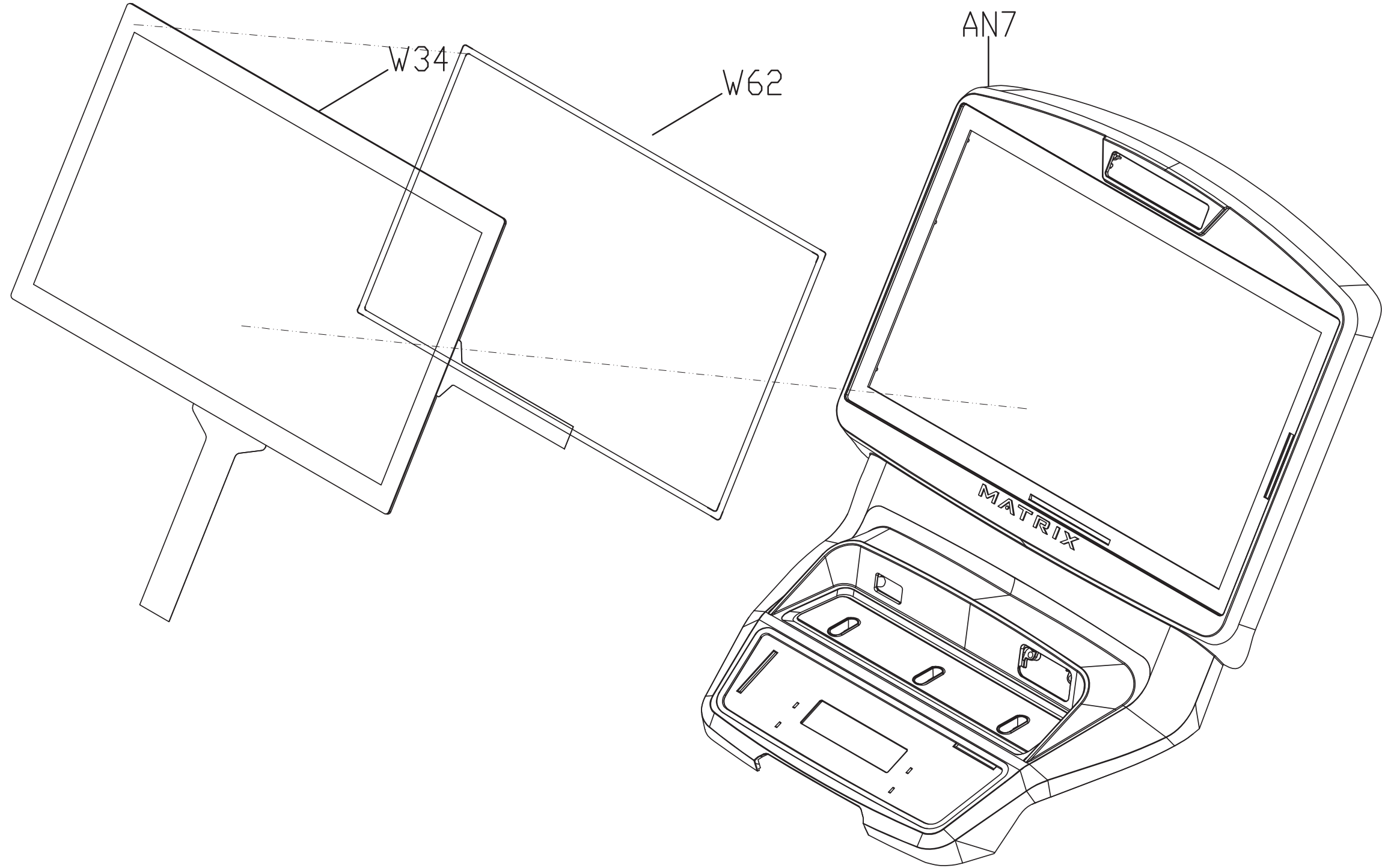


DRAWING NO	TM521D-AN6		
PART NAME	Console Set		
PART NO	1000357031	REV	B
APPROVE	SHUYI	DATE	030615

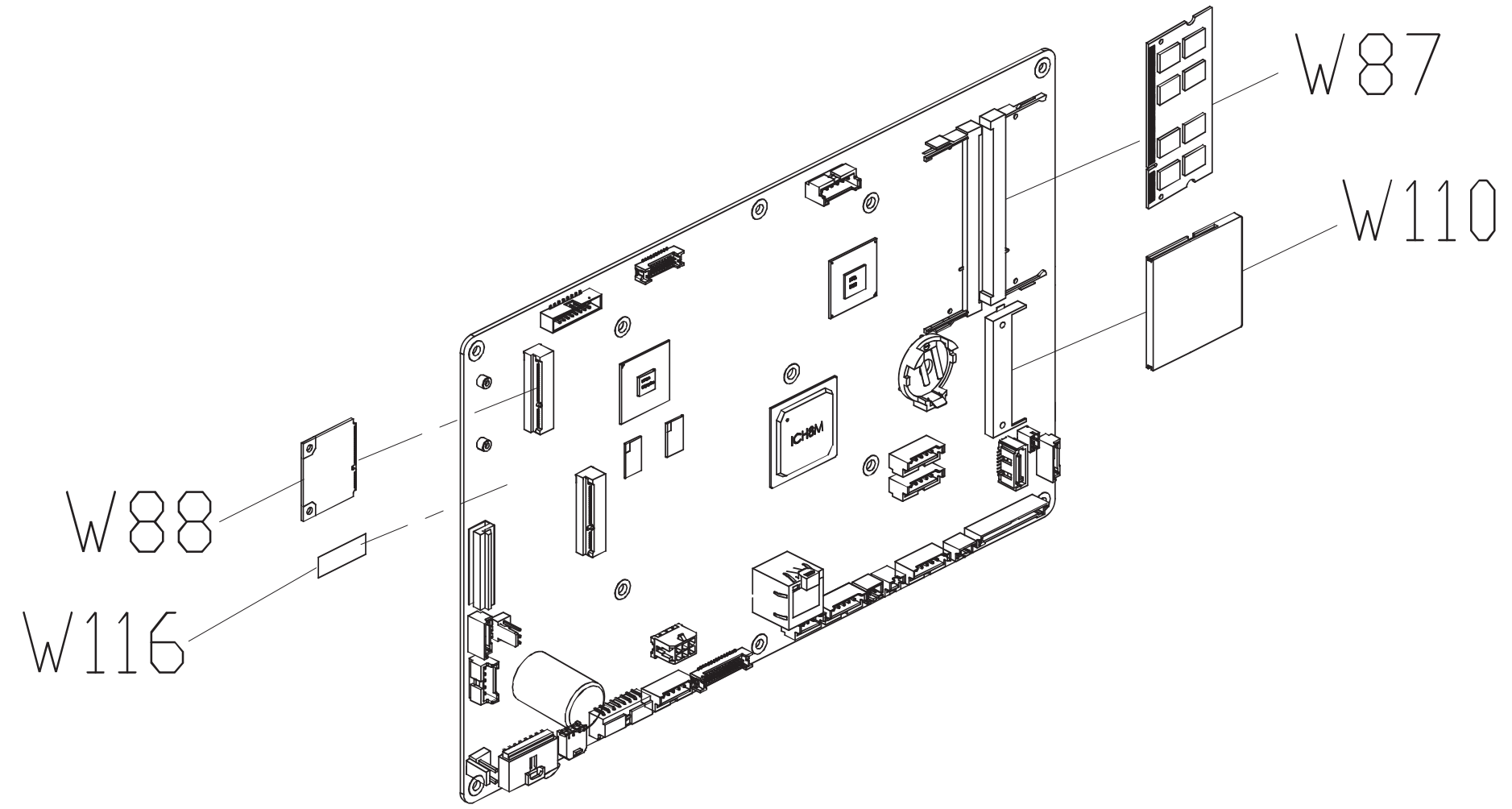
Part NO	Description



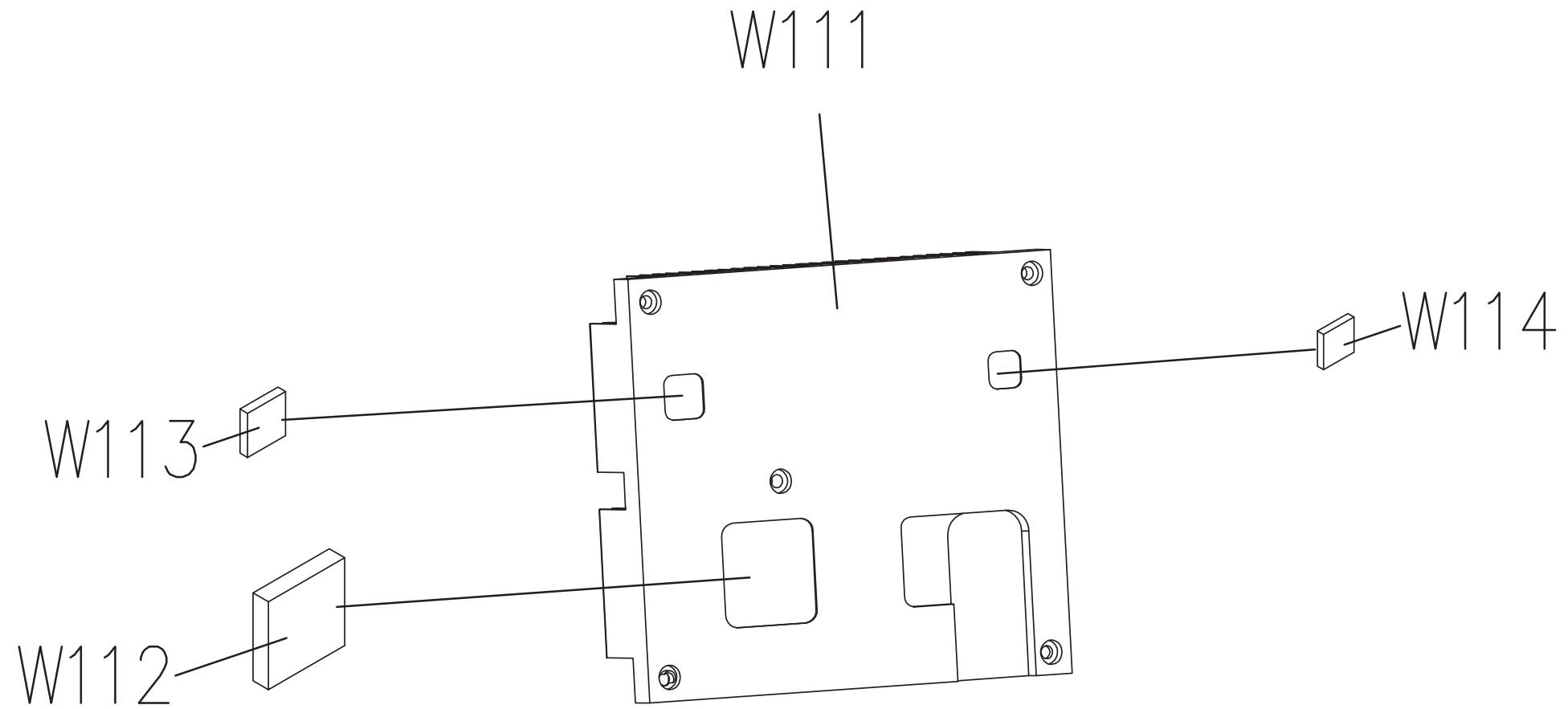
DRAWING NO	TM521-AN10
PART NAME	Touch Panel Set
PART NO	1000228807 C
APPROVE	Hsinyen
DATE	050213



DRAWING NO	EP614-AW11		
PART NAME	Control Board Set		
PART NO	1000228656REV J		
APPROVE	Sunny	DATE	060614



DRAWING NO	TM521-W116		
PART NAME	Heat Sink Set		
PART NO	1000332751B		
APPROVE	Hsinyen	DATE	090413



DRAWING NO	EP614C-AW51		
PART NAME	TV STICK SET		
PART NO	1000356574 ^R / ₁ A		
APPROVE	Hsinyen	DATE	122314

