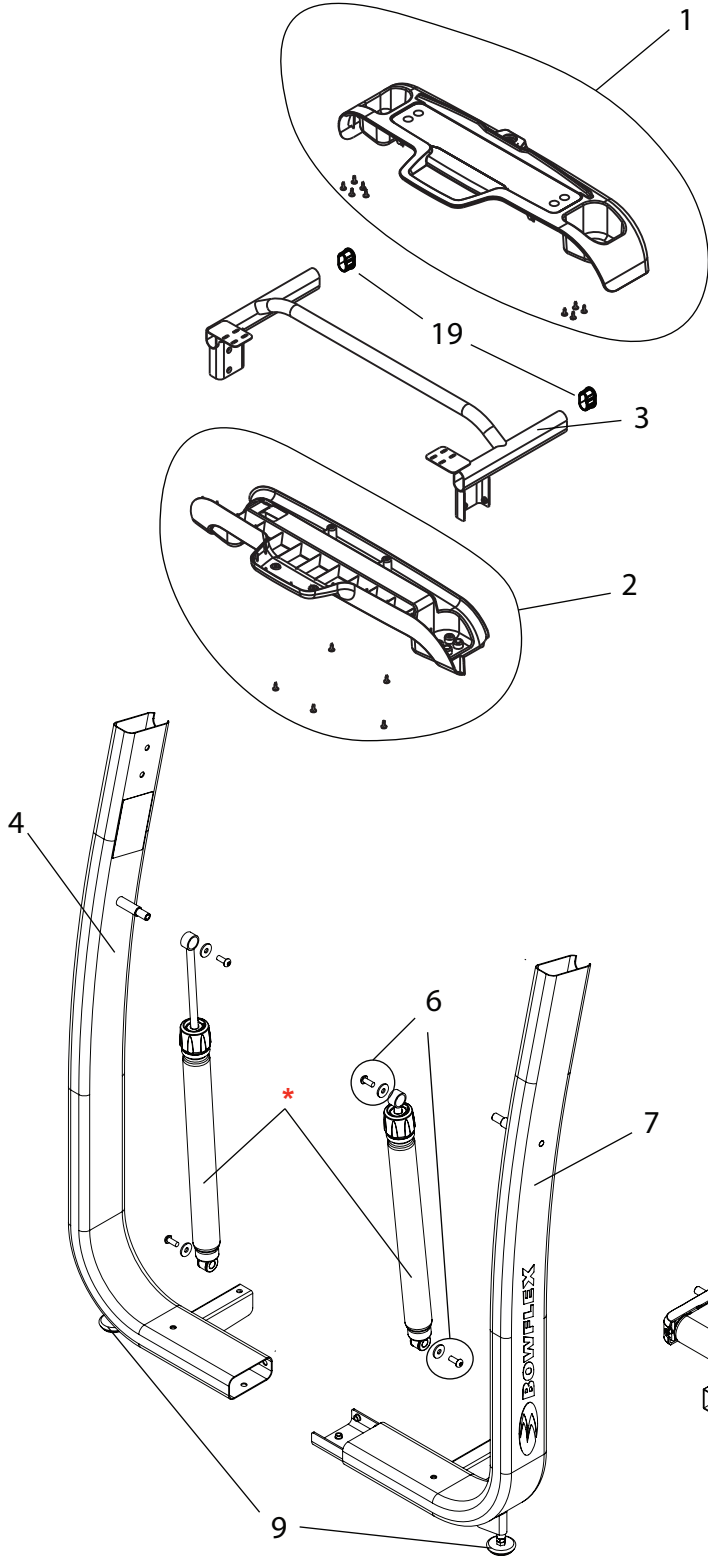
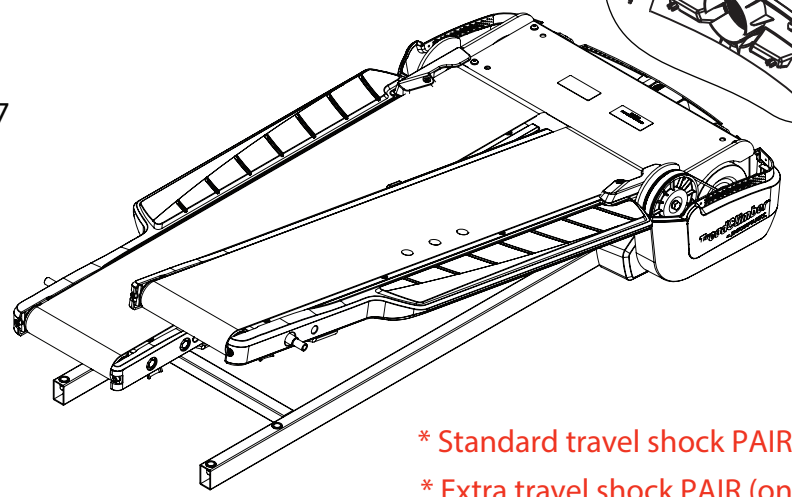
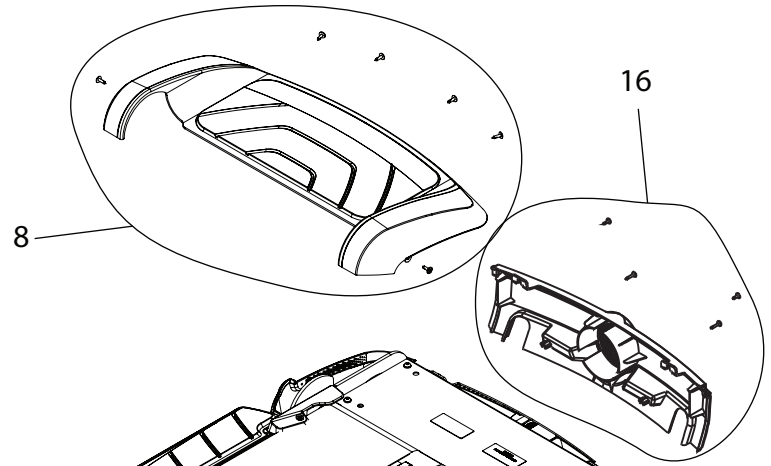
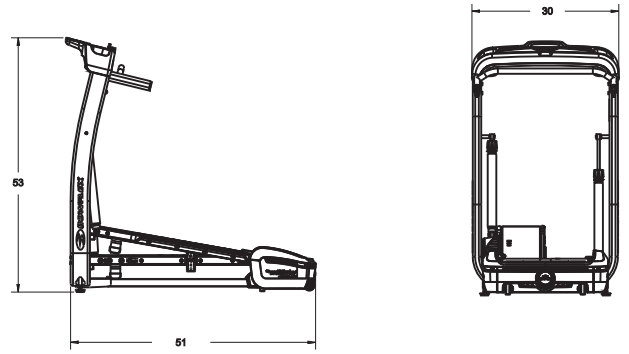


TITLE: <b>EXP VIEW DWG- BOWFLEX TC10 V2</b>			
DRAWN: R. Peterson	DOC. PART NO. <b>100341-W</b>	PRODUCT SKU NO. <b>100341</b>	REV. <b>M</b>
DATE: 11/19/2019			

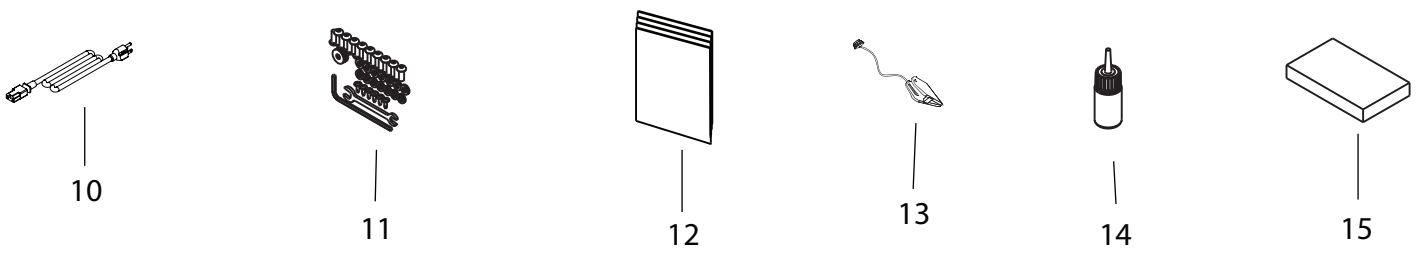
Parts are not available for purchase. Diagrams and part numbers provided for customer knowledge only. Some parts may be available through [fitnessrepairparts.com](http://fitnessrepairparts.com) or [sportsmith.com](http://sportsmith.com).

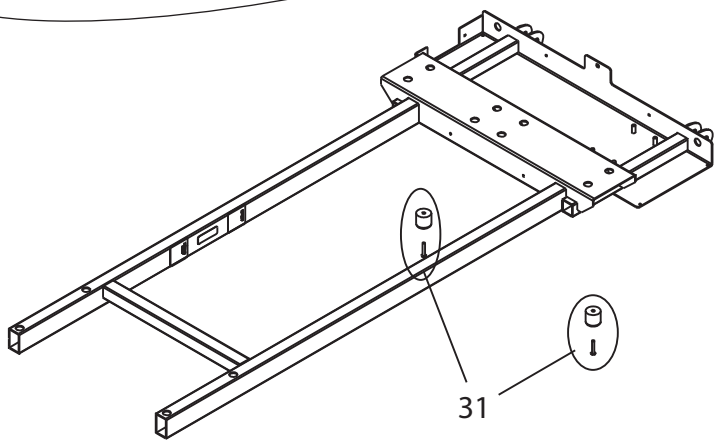
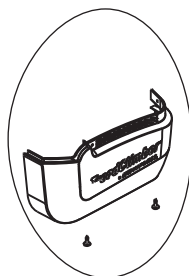
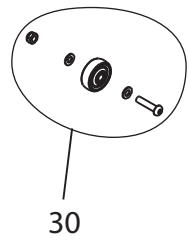
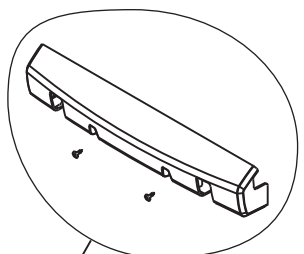
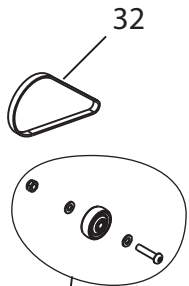
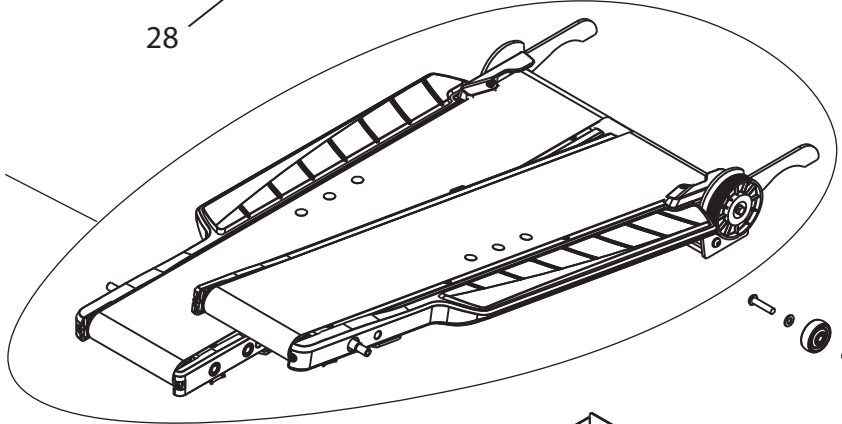
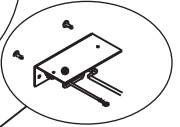
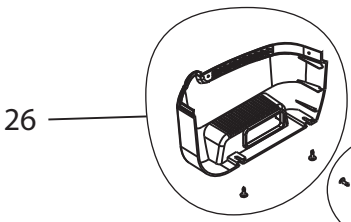
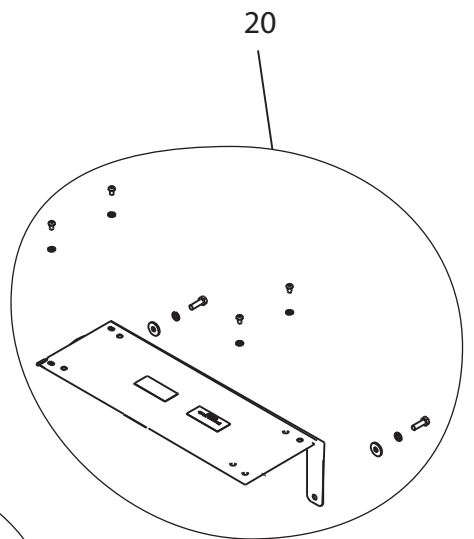
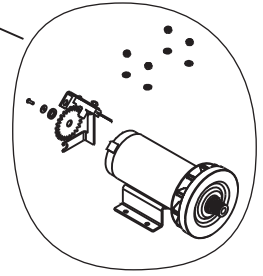
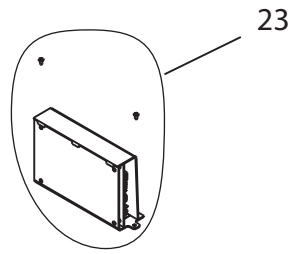
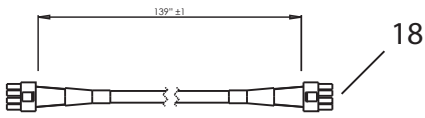
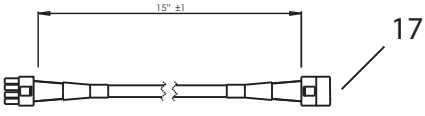


Assembled Dimensions



\* Standard travel shock PAIR- REF # 5  
 \* Extra travel shock PAIR (only used for lighter users or complaints of not enough treadle travel)- REF # 47





27

31

30

25

