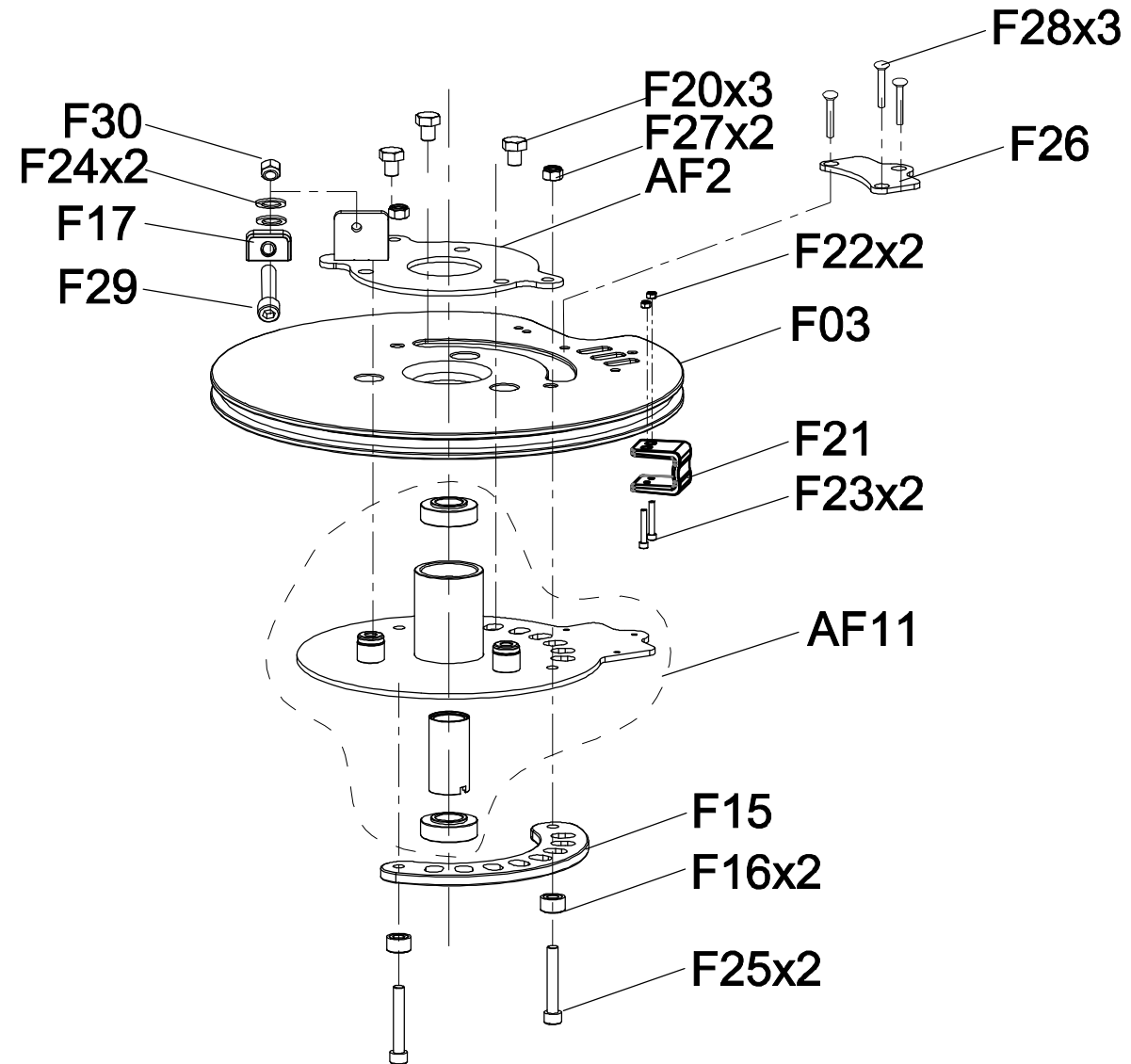
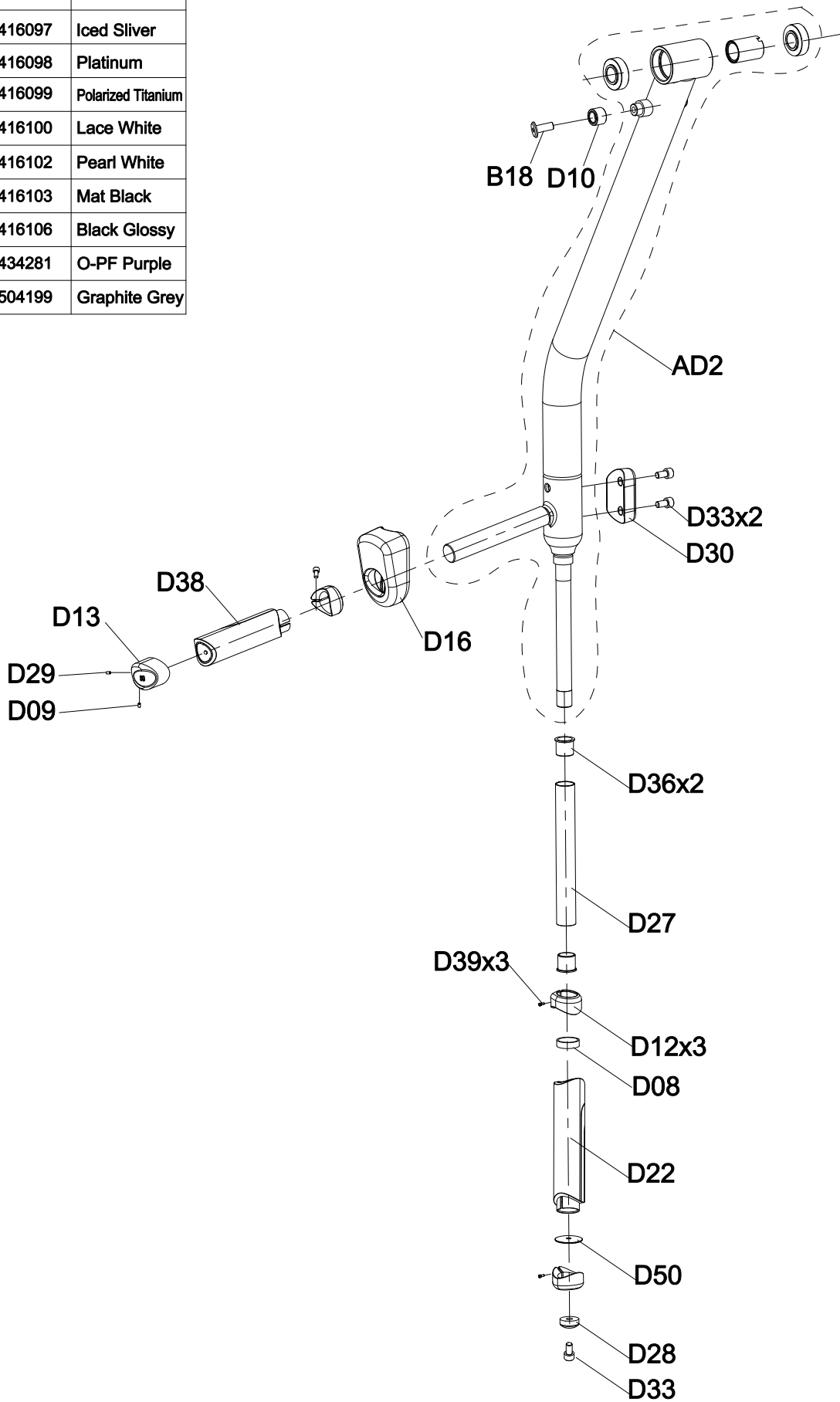


DRAWING NO	GM125-AF01		
PART NAME	Cam set;Semi-Assy;L		
PART NO	1000399641		B
APPROVE	JETTA	DATE	11.15.2019



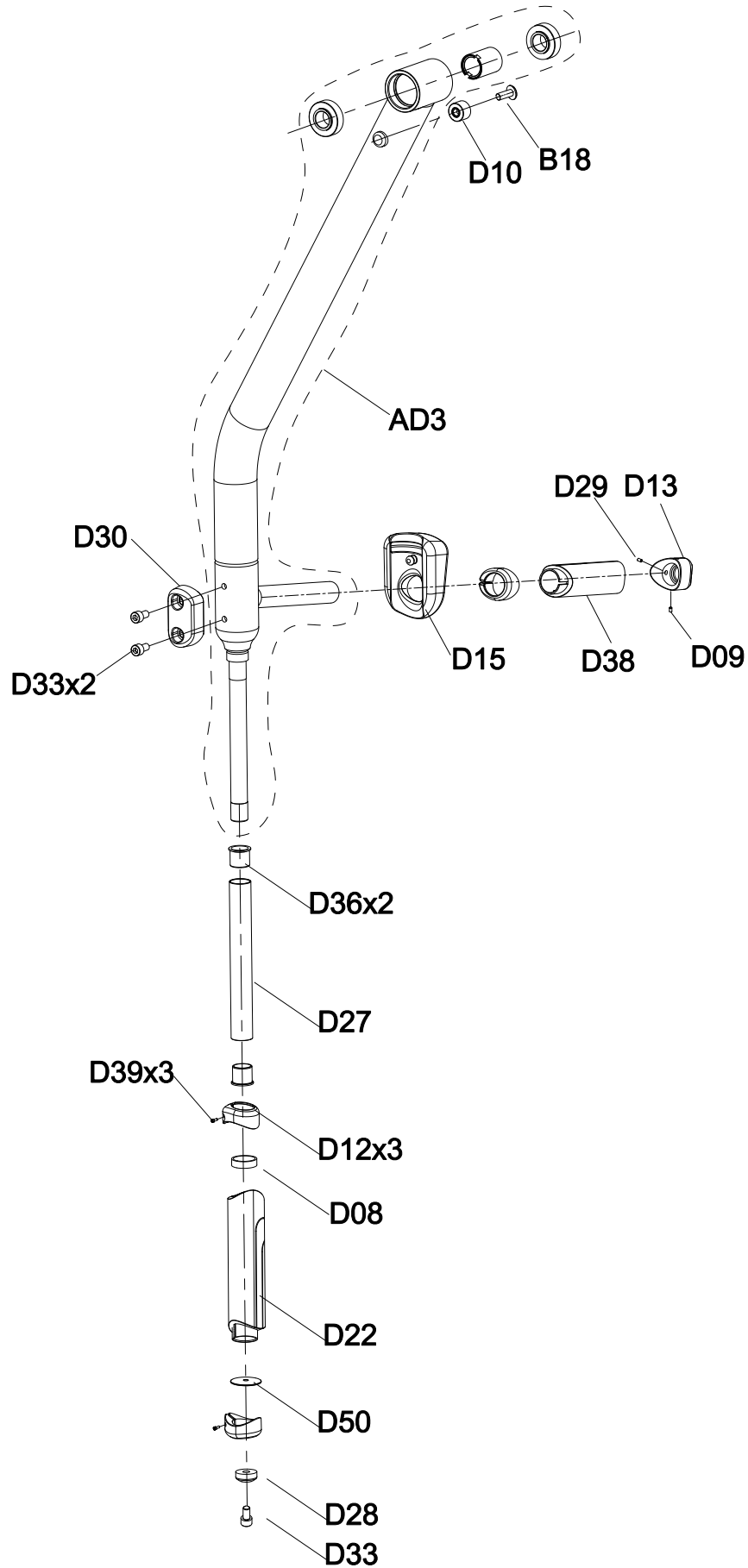
DRAWING NO	GM125-AD02		
PART NAME	Handle set;Semi-Assy;R		
PART NO	See Chart		A
APPROVE	SuYehua	DATE	2024.01.24

Part NO.	Color
1000416097	Iced Sliver
1000416098	Platinum
1000416099	Polarized Titanium
1000416100	Lace White
1000416102	Pearl White
1000416103	Mat Black
1000416106	Black Glossy
1000434281	O-PF Purple
1000504199	Graphite Grey

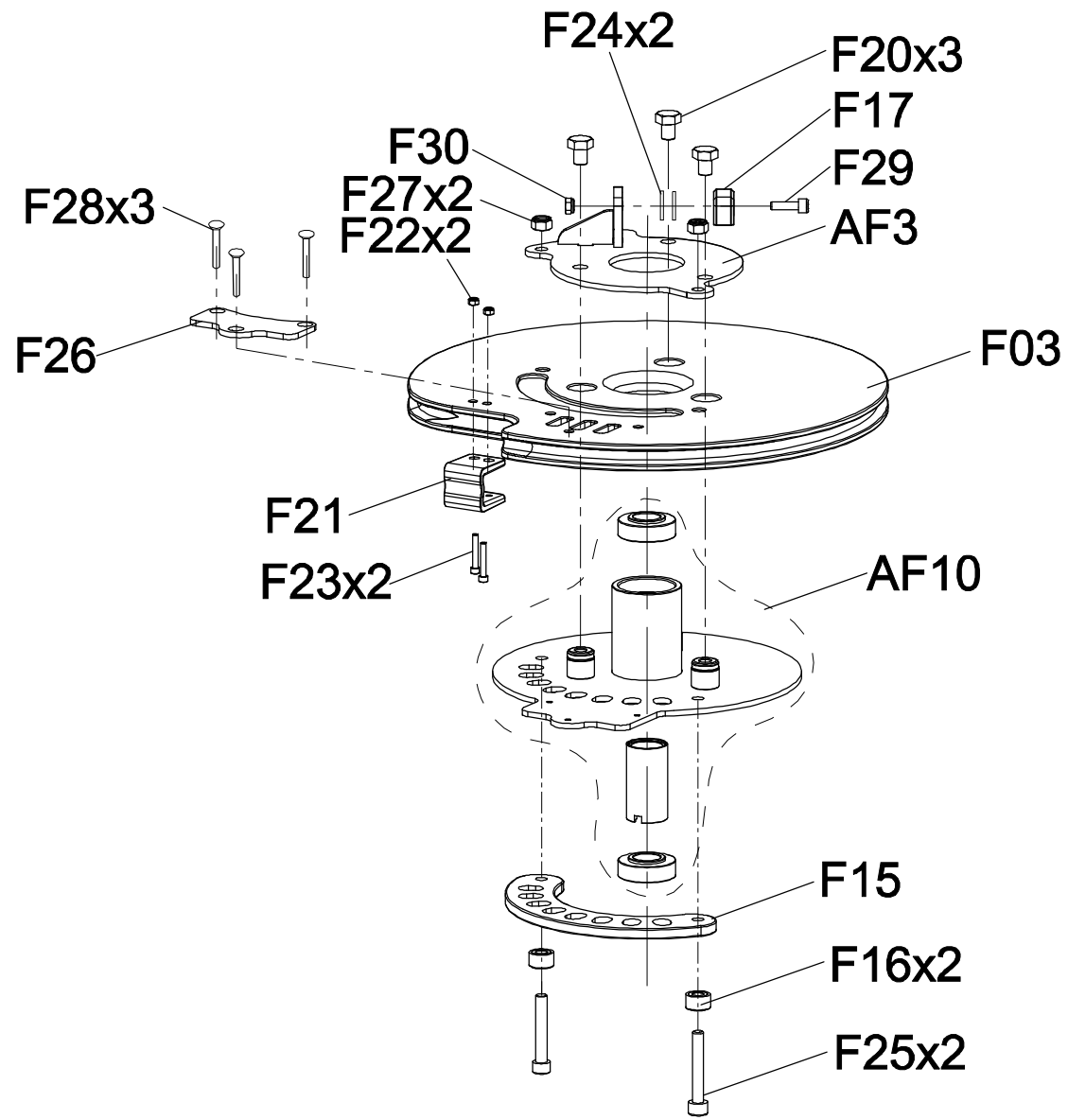


DRAWING NO	GM125-AD03		
PART NAME	Handle set;Semi-Assy;L		
PART NO	See Chart		A
APPROVE	SuYehua	DATE	2024.01.24

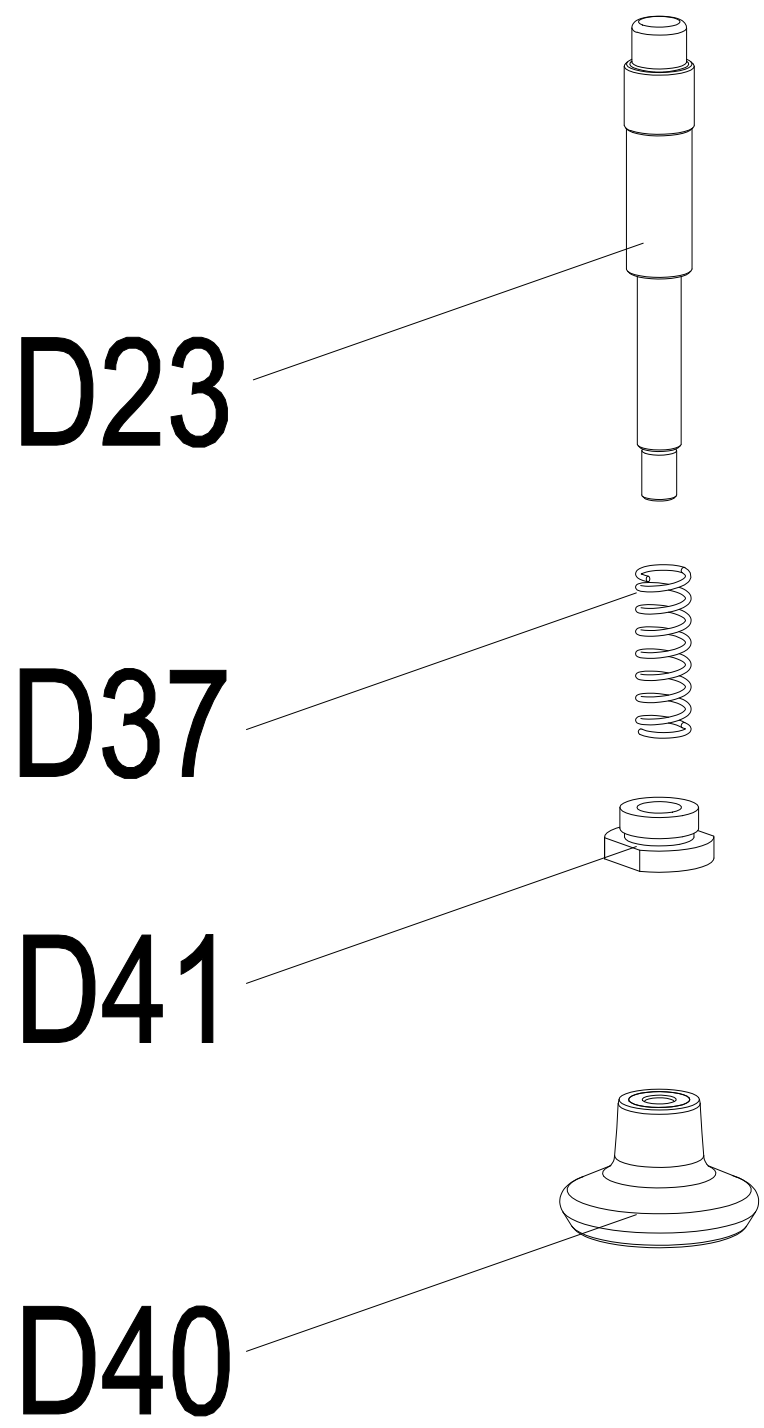
Part NO.	Color
1000416107	Iced Sliver
1000416108	Platinum
1000416109	Polarized Titanium
1000416110	Lace White
1000416111	Pearl White
1000416112	Mat Black
1000416113	Black Glossy
1000434284	O-PF Purple
1000504200	Graphite Grey



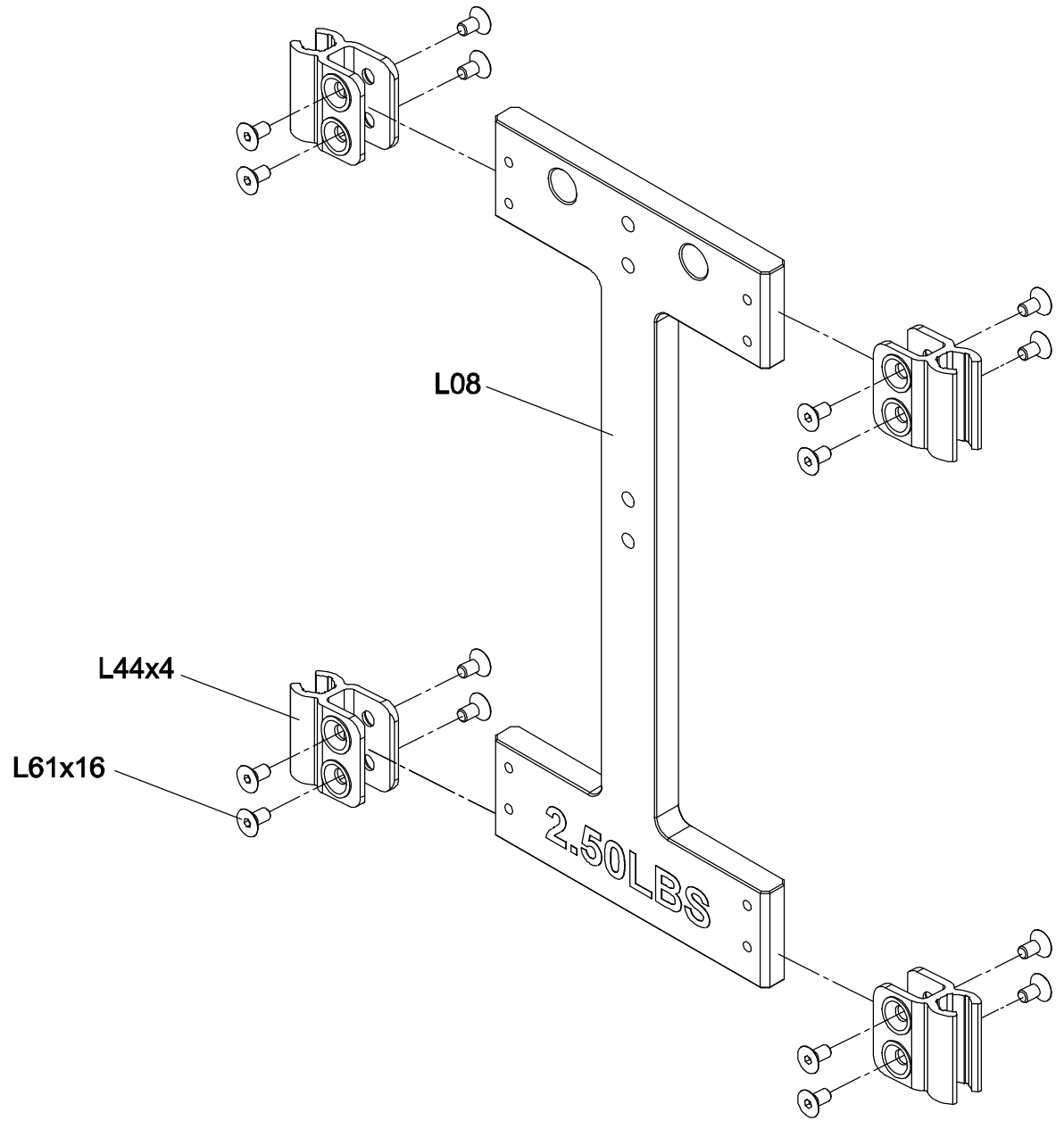
DRAWING NO	GM125-AF06		
PART NAME	Cam set;Semi-Assy;R		
PART NO	1000399642		C
APPROVE	JETTA	DATE	11.12.2019



DRAWING NO	GM125-Z05		
PART NAME	Part Explosive Diagram		
PART NO	1000433552	REV	A
APPROVE	SuYehua	DATE	2023.06.14



DRAWING NO	GM121F-AL2		
PART NAME	Incremental Weight Plate Set		
PART NO	1000504336	REV	A
APPROVE	Xugang	DATE	2024.01.23



DRAWING NO	GM121F-AL3		
PART NAME	Incremental Weight Plate Set		
PART NO	1000504347	REV	A
APPROVE	Xugang	DATE	2024.01.23

