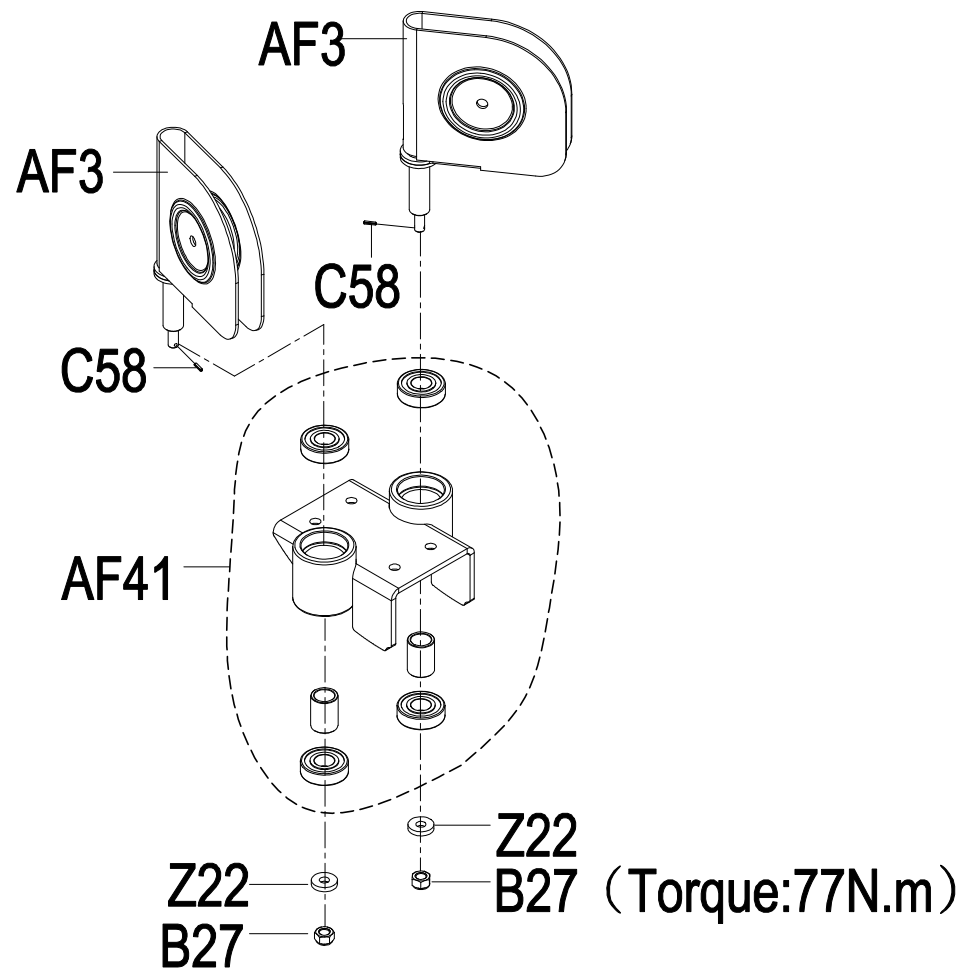


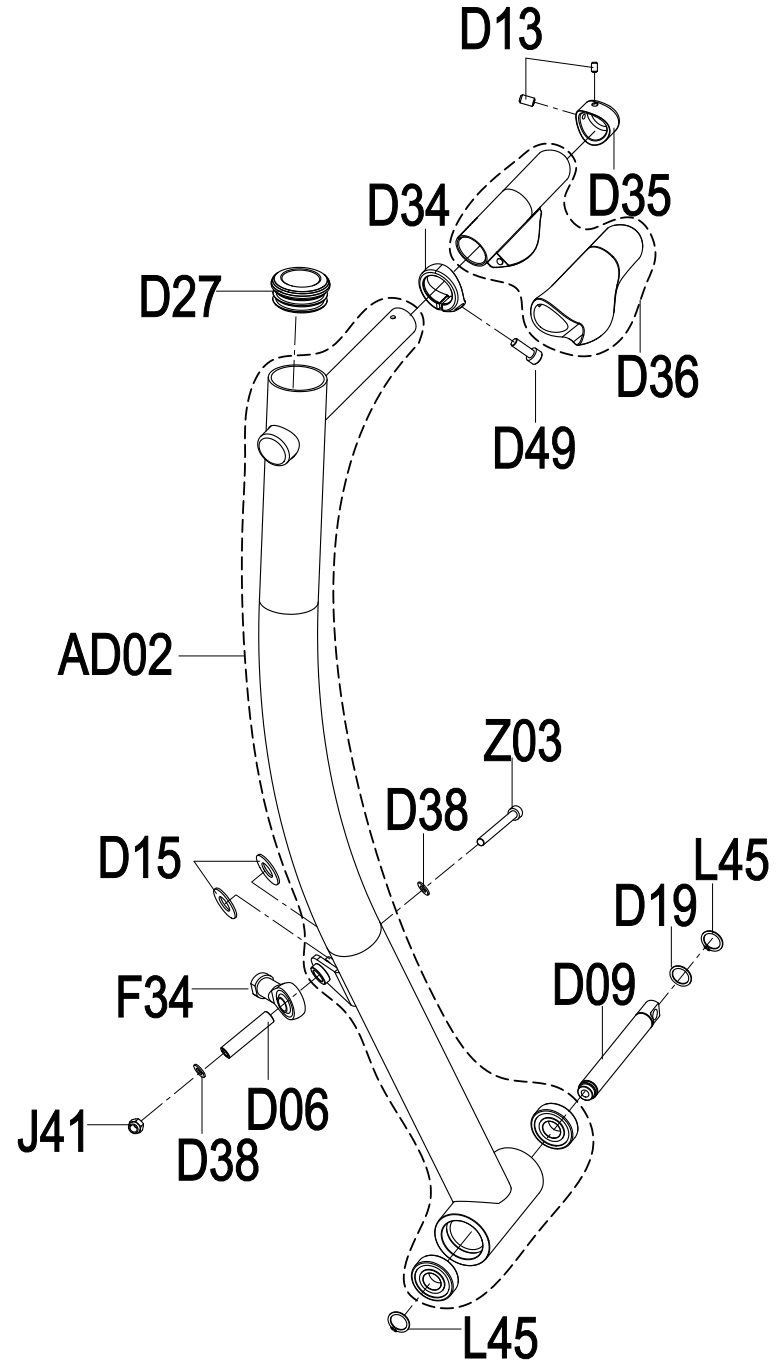
DRAWING NO	GM118-SF01		
PART NAME	Sliding Pulley Set		
PART NO	See Chart	REV	A
APPROVE	Harvey	DATE	08.12.2020

Part NO.	Color
1000416167	Iced Sliver
1000416168	Platinum
1000416169	Polarized Titanium
1000416171	Lace White
1000416172	Pearl White
1000416173	Mat Black
1000416174	Black Glossy
1000434107	O-PF Purple
1000440736	PF Yellow RAL1023
1000457668	Graphite Grey



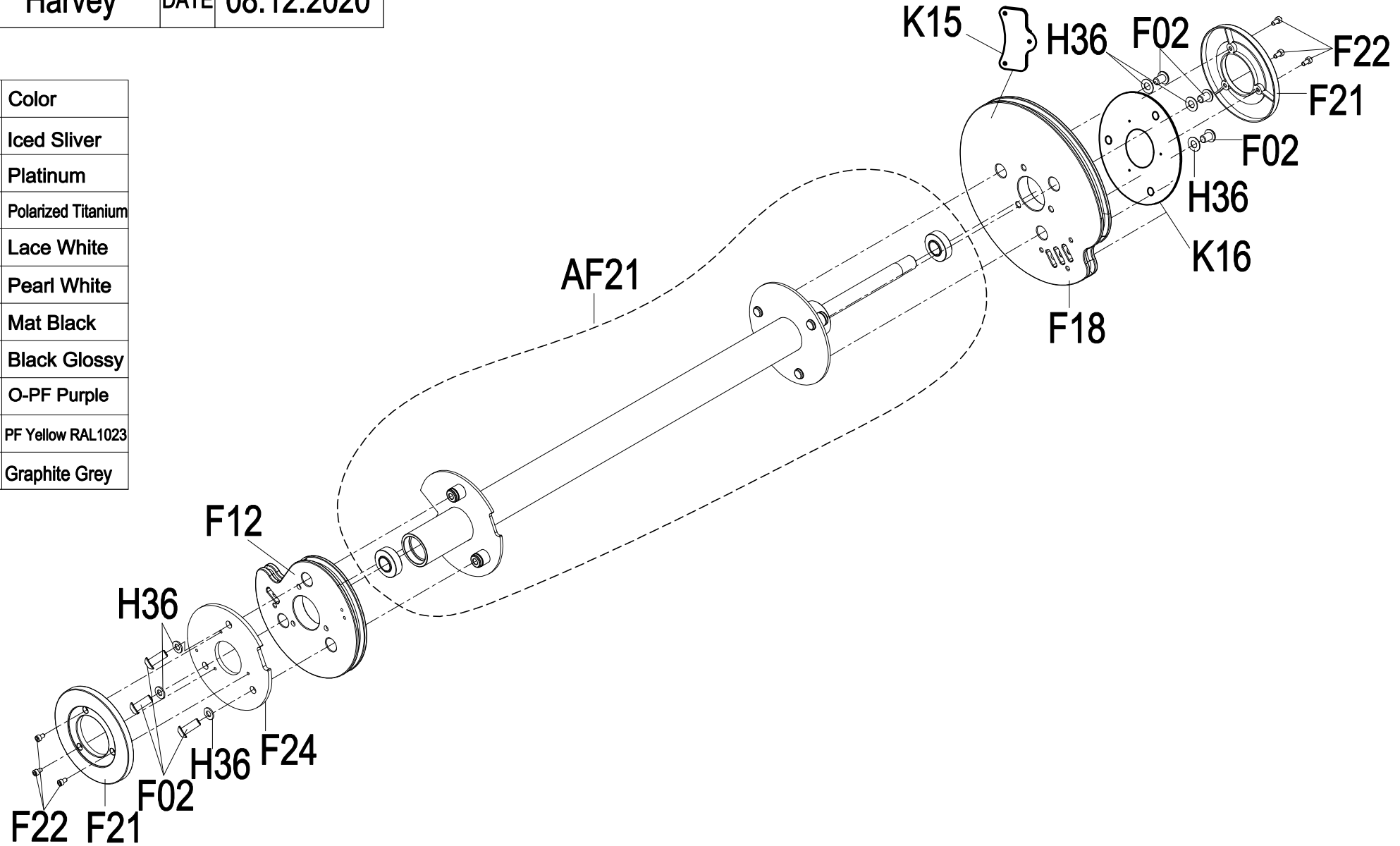
DRAWING NO	GM118H-SF03		
PART NAME	Pedal Arm set;Semi-Assy;right		
PART NO	See Chart		A
APPROVE	Wangzhiqing	DATE	2024.9.9

Part NO.	Color
1000522808	Mat Black



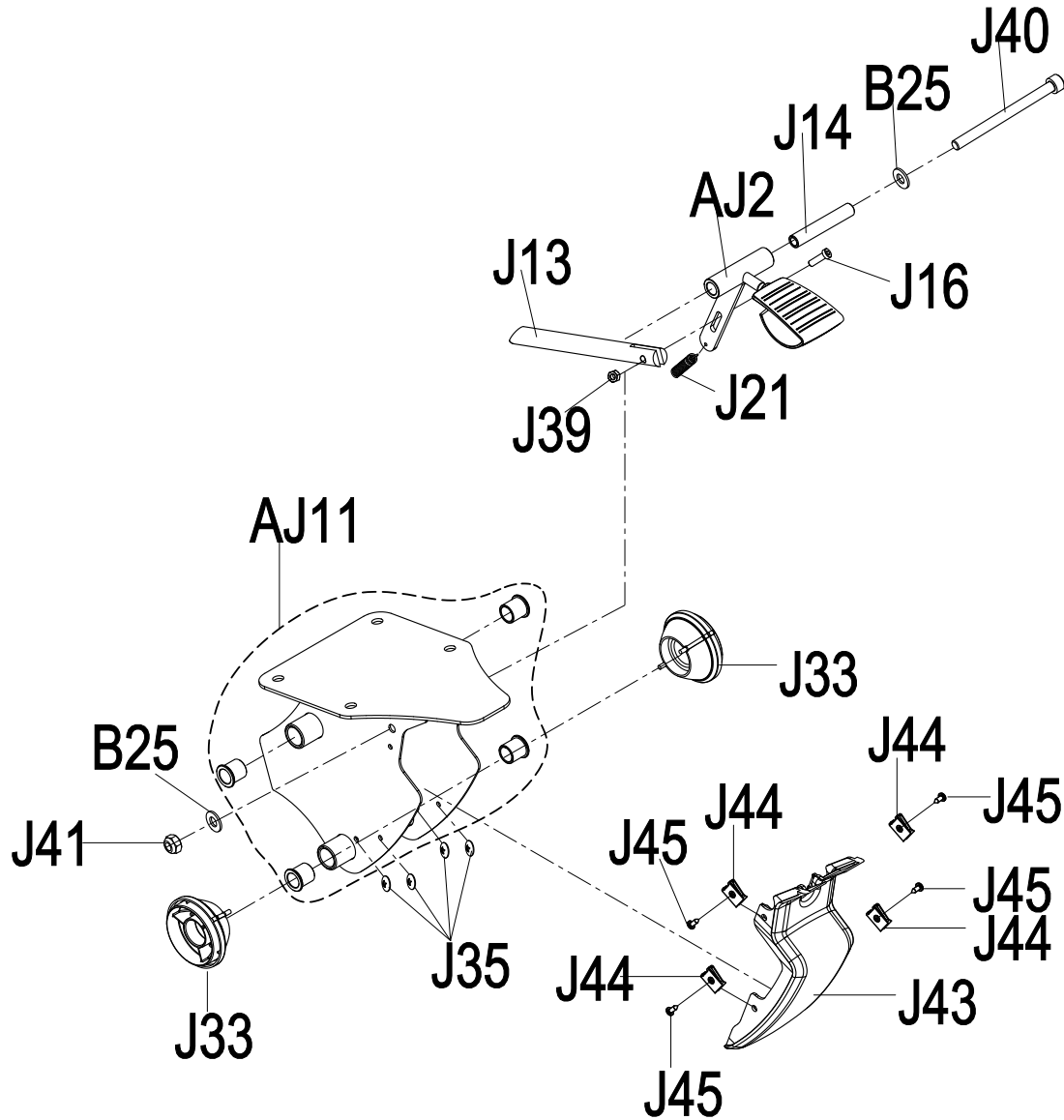
DRAWING NO	GM118-SF04		
PART NAME	Swivel Axle Set		
PART NO	See Chart	REV	A
APPROVE	Harvey	DATE	08.12.2020

Part NO.	Color
1000416274	Iced Sliver
1000416275	Platinum
1000416276	Polarized Titanium
1000416277	Lace White
1000416278	Pearl White
1000416279	Mat Black
1000416280	Black Glossy
1000434183	O-PF Purple
1000440739	PF Yellow RAL1023
1000457739	Graphite Grey

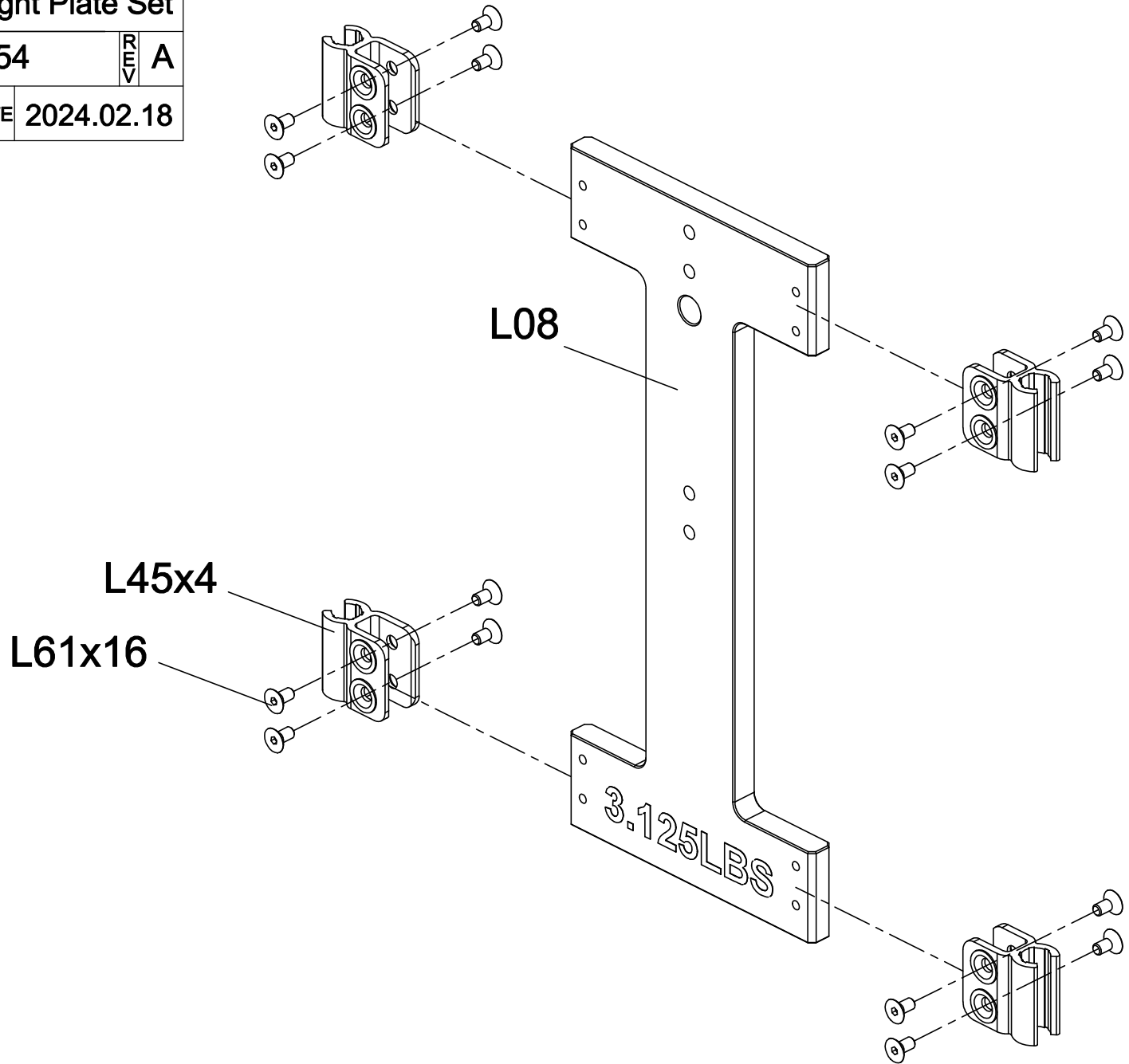


DRAWING NO	GM118H-SF05		
PART NAME	Seat Adjustable Set		
PART NO	See Chart		A
APPROVE	Wangzhiqing	DATE	09.10.2024

Part NO.	Color
1000522844	Mat Black



DRAWING NO	GM113F-SF03		
PART NAME	Incremental Weight Plate Set		
PART NO	1000504954	REV	A
APPROVE	Yang Hong wu	DATE	2024.02.18



DRAWING NO	GM113F-SF04		
PART NAME	Incremental Weight Plate Set		
PART NO	1000504962	REV	A
APPROVE	Yang Hong wu	DATE	2024.02.18

