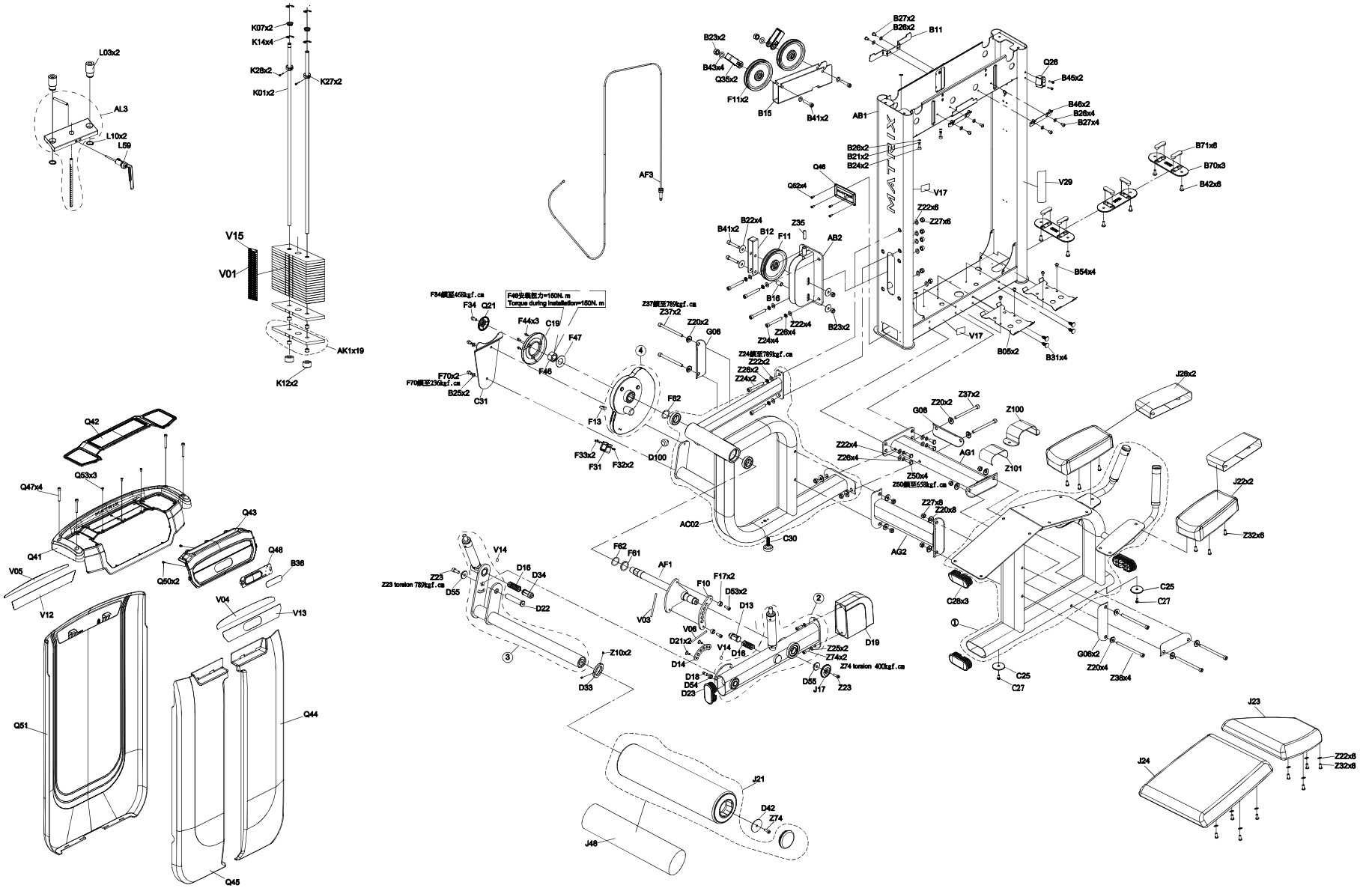


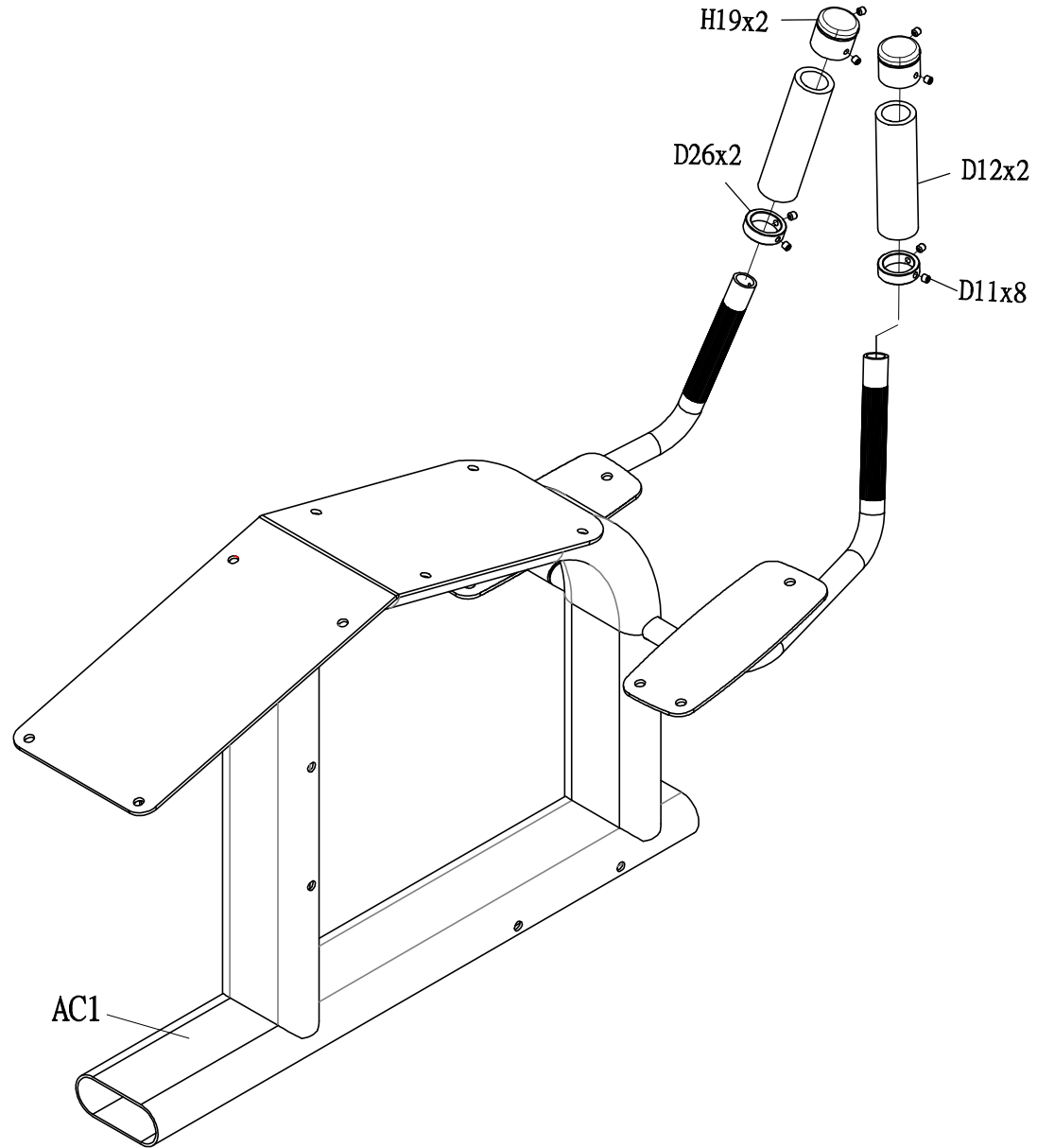
DRAWING NO	PG7GM227BH-KM		
PART NAME	Explosive Diagram		
PART NO	MGM0927-00	REV	A
APPROVE	Wangzhiqing	DATE	2024.06.11

12.5(LBS)選擇片19PCS
 重型選擇片組(light weight stack)



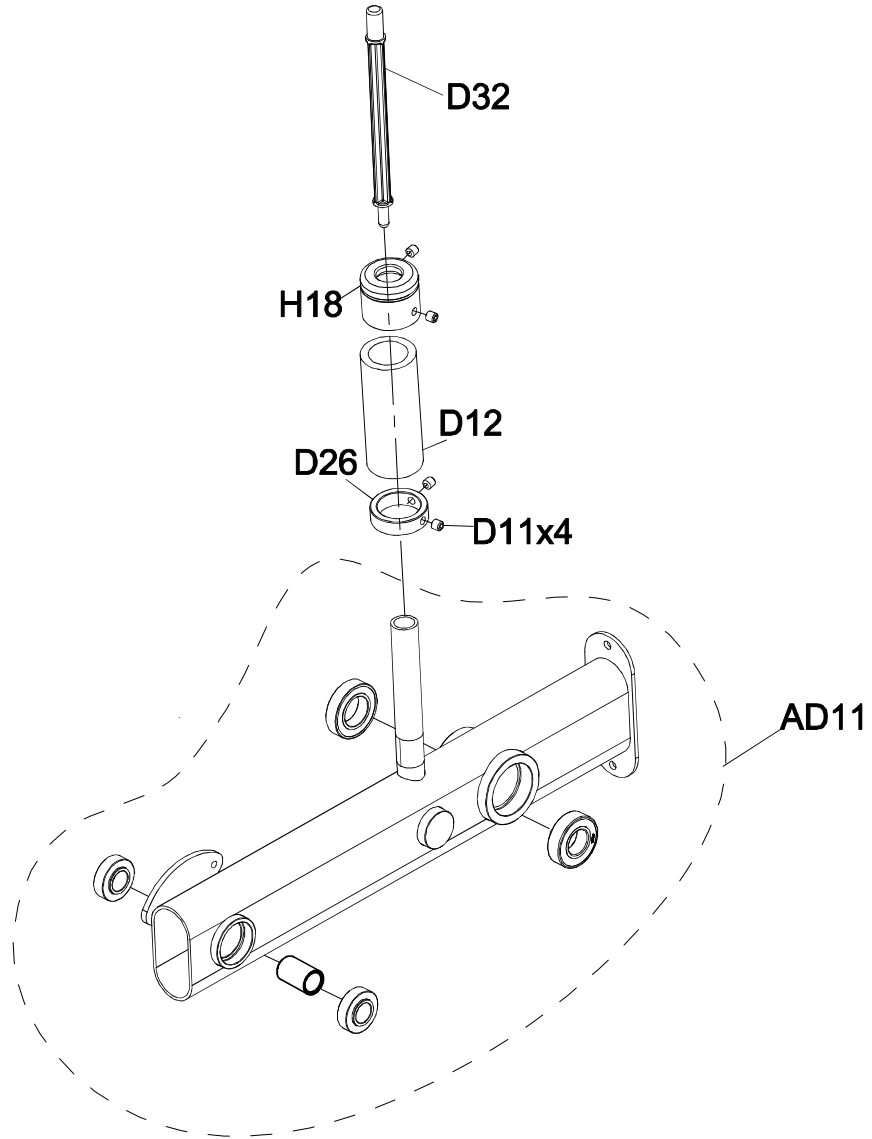
DRAWING NO	GM227B-AC01		
PART NAME	User Frame Set;Right		
PART NO	See Chart		A
APPROVE	WangZhiQing	DATE	2024.06.11

Part NO.	Color
1000516974	Iced Sliver
1000516975	Platinum
1000516976	Polarized Titanium
1000516977	Lace White
1000516978	Graphite ash
1000516979	Mat Black
1000516980	Black Glossy



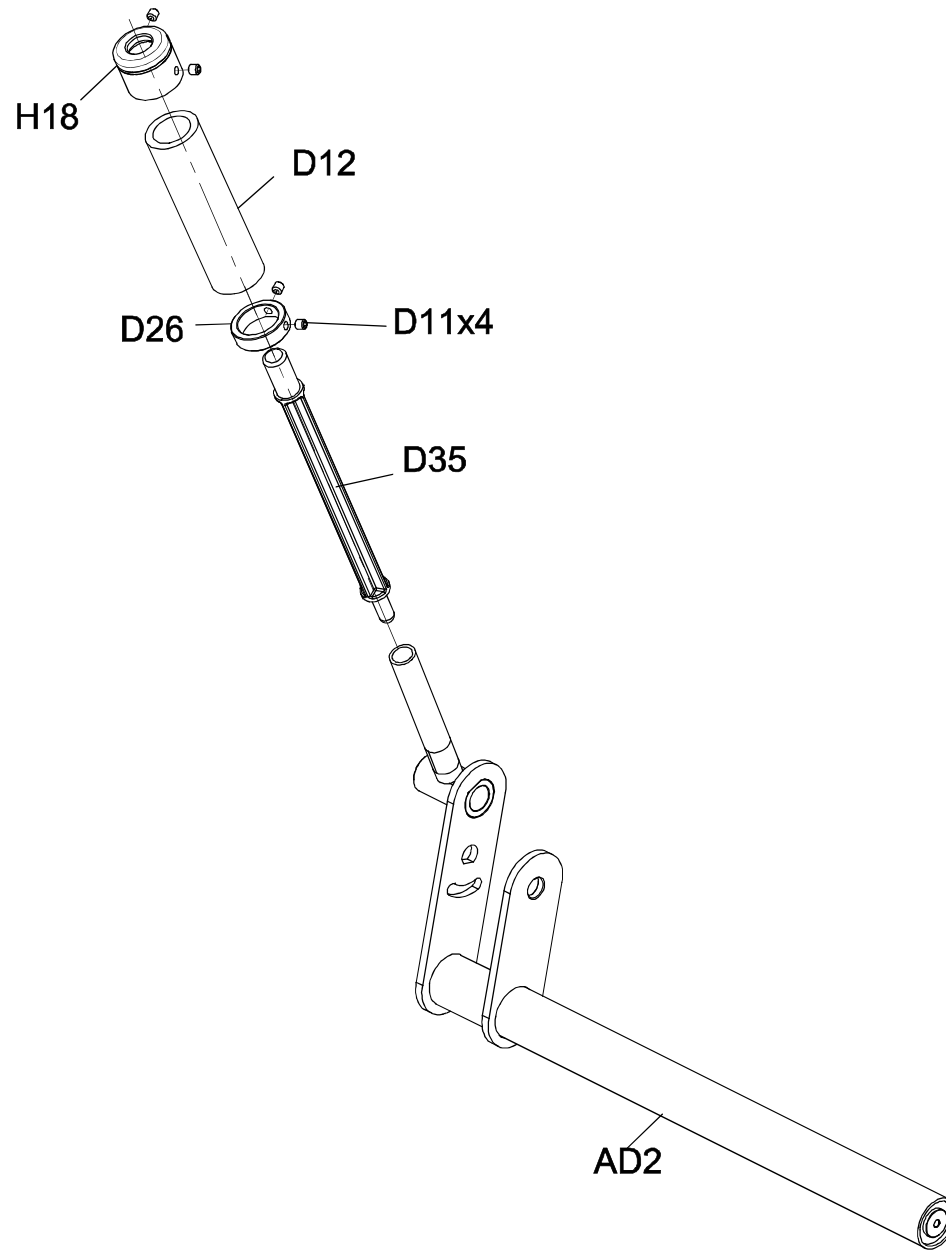
DRAWING NO	GM227-AD02		
PART NAME	Pedal Arm set;Assembling		
PART NO	See Chart	A	←
APPROVE	chenjianmin	DATE	08.11.2020

Part NO.	Color
1000457543	Iced Sliver
1000457544	Platinum
1000457545	Polarized Titanium
1000457546	Lace White
1000457547	Pearl White
1000457548	Mat Black
1000457549	Black Glossy
1000457550	Graphic 202020



DRAWING NO	GM227-AD03		
PART NAME	Leg Pad Set;Assembling		
PART NO	See Chart	B	
APPROVE	chenjianmin	DATE	11.25.2020

Part NO.	Color
1000457555	Iced Sliver
1000457556	Platinum
1000457558	Polarized Titanium
1000457559	Lace White
1000457560	Pearl White
1000457562	Mat Black
1000457563	Black Glossy
1000457564	Graphic 202020



DRAWING NO	GM127-AF01		
PART NAME	Cam Fixing Set;Assembling		
PART NO	See Chart	B	▶◀
APPROVE	chenjianmin	DATE	08.11.2020

Part NO.	Color
1000418162	Iced Sliver
1000418163	Platinum
1000418164	Polarized Titanium
1000418165	Lace White
1000418166	Pearl White
1000418167	Mat Black
1000418168	Black Glossy
1000457568	Graphic 202020

