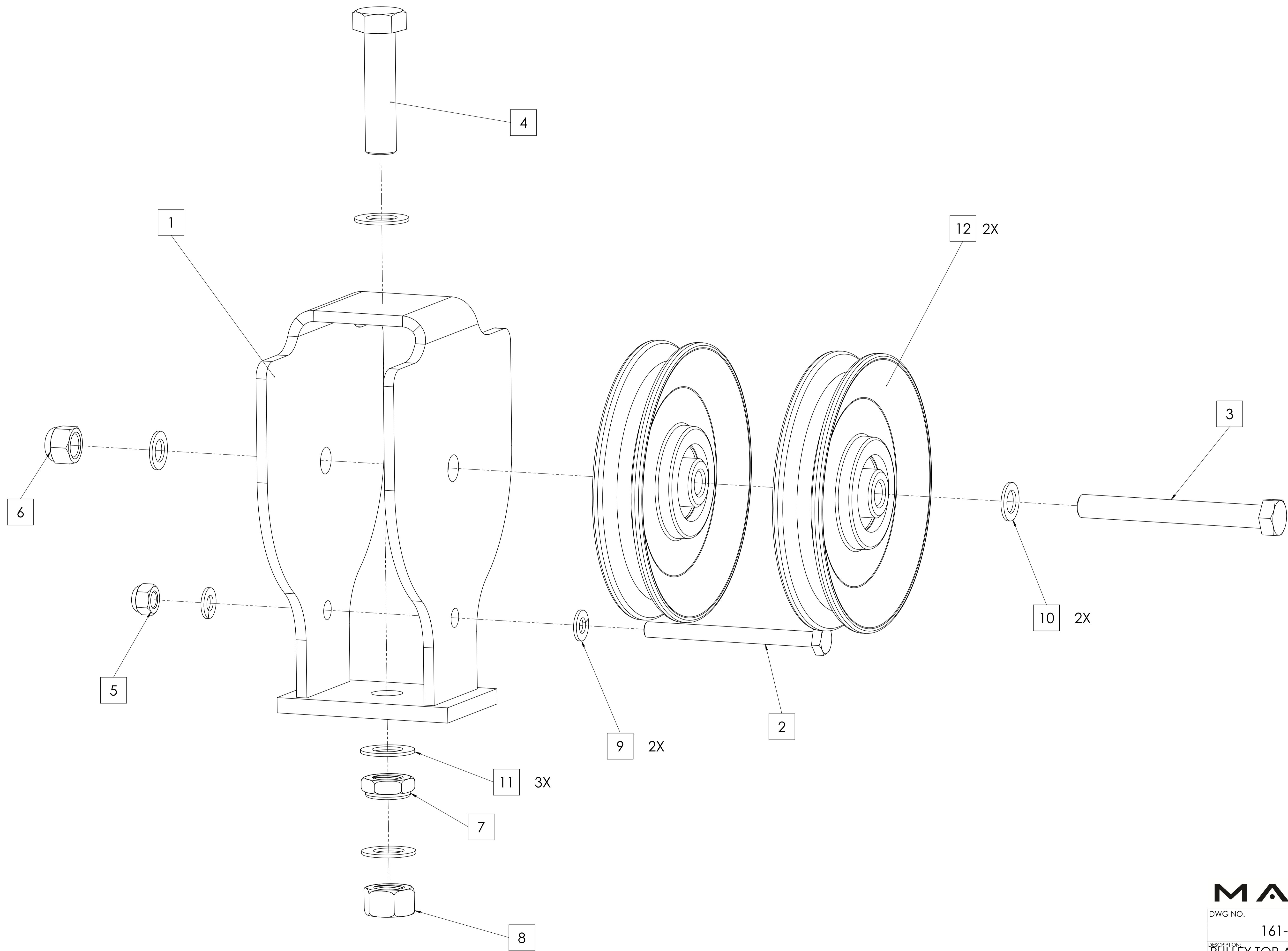


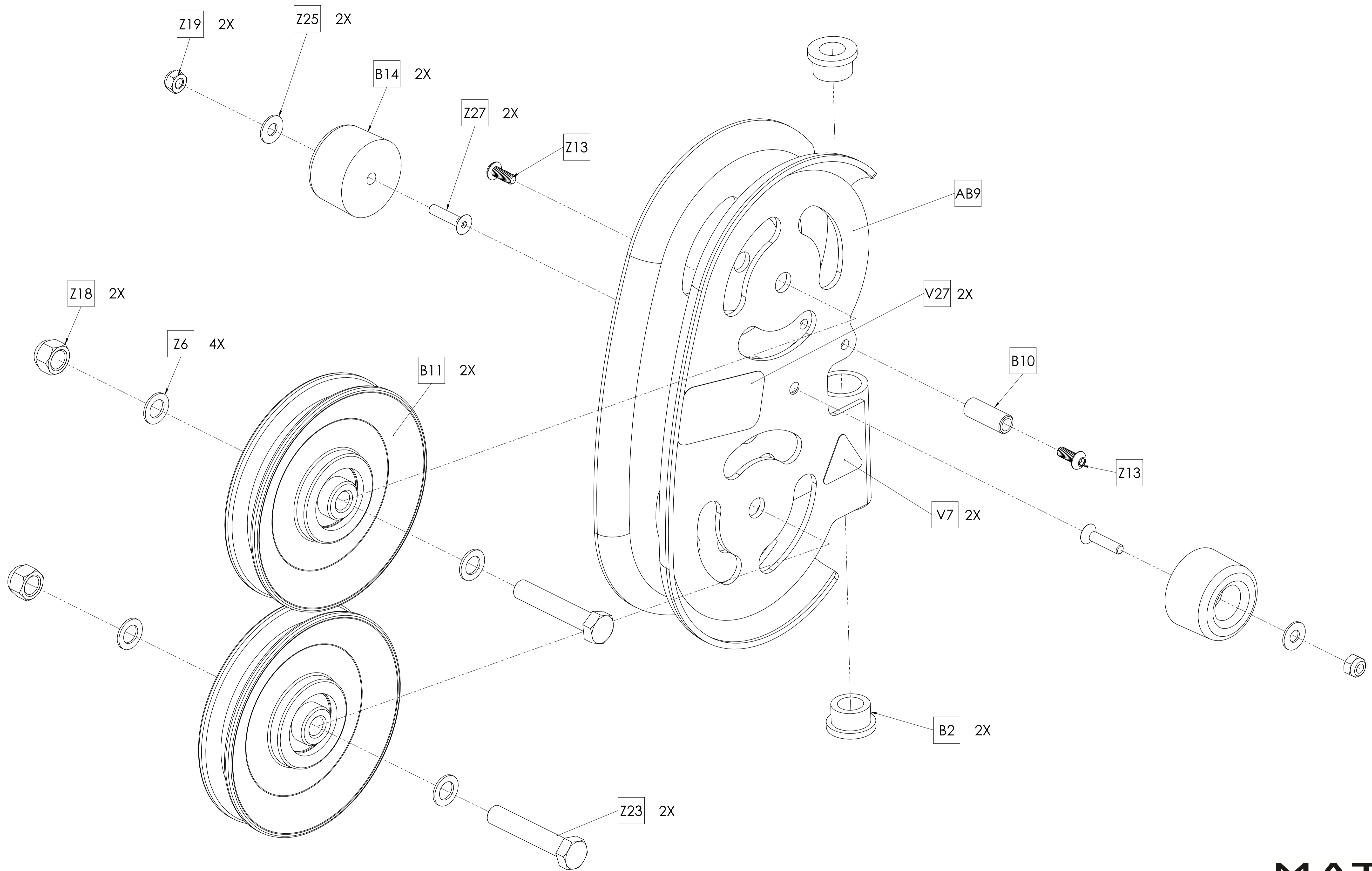
MATRIX

DWG NO.		MG-DP943-06 SERVICE	
DESCRIPTION:		DUAL ADJUSTABLE PULLEY (4:1) (Strength - Multi-Station)	
DRAWN BY:	LG	DATE:	2020.APR.22
UPDATED BY:		DATE:	



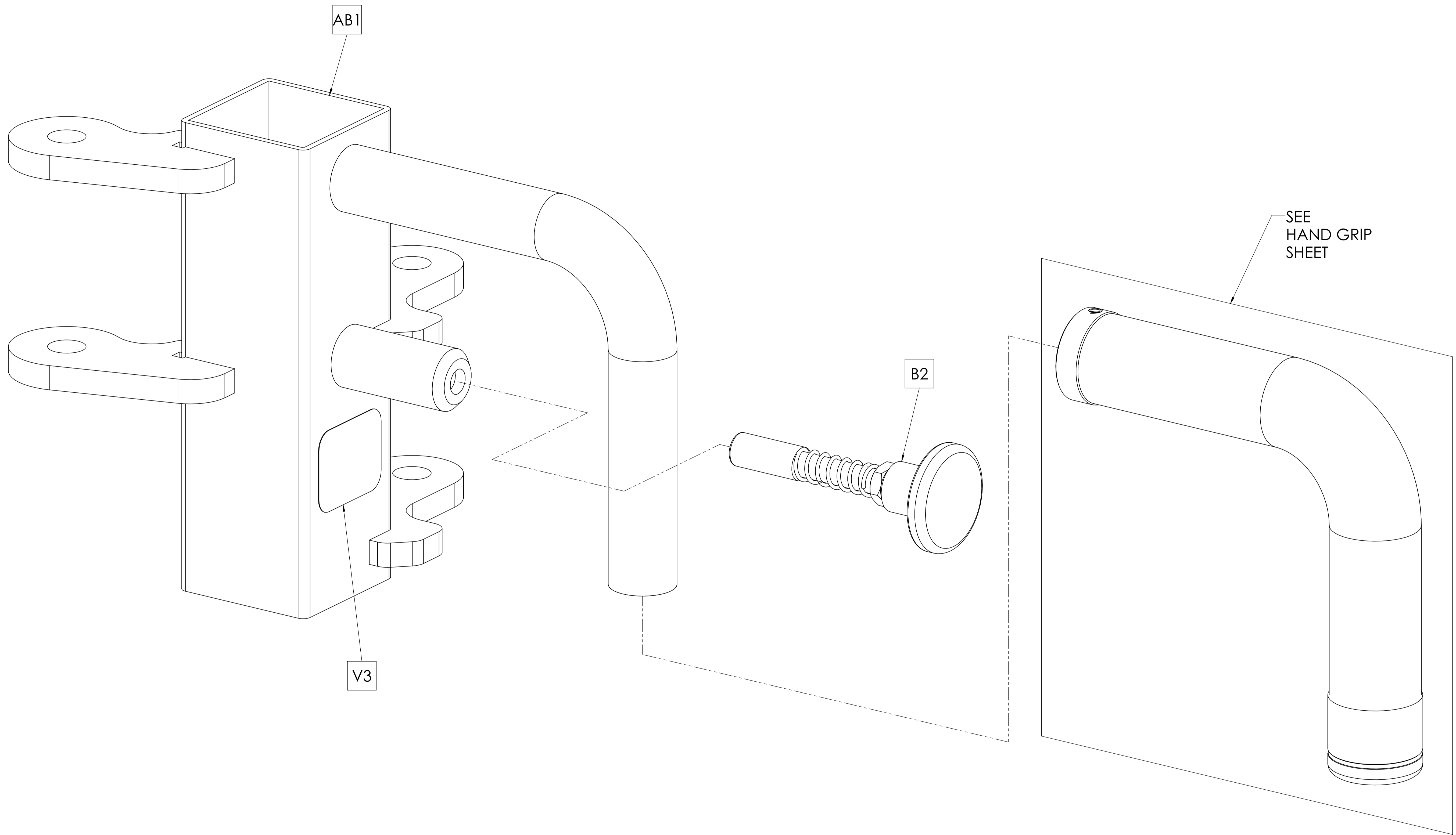
MATRIX

DWG NO.			161-038 SERVICE		
DESCRIPTION: PULLEY TOP ASSY;2X WEIGHT STACK (Strength)					
DRAWN BY:	LMB	DATE:	2016.SEP.15		
UPDATED BY:	LG	DATE:	2020.APR.16		



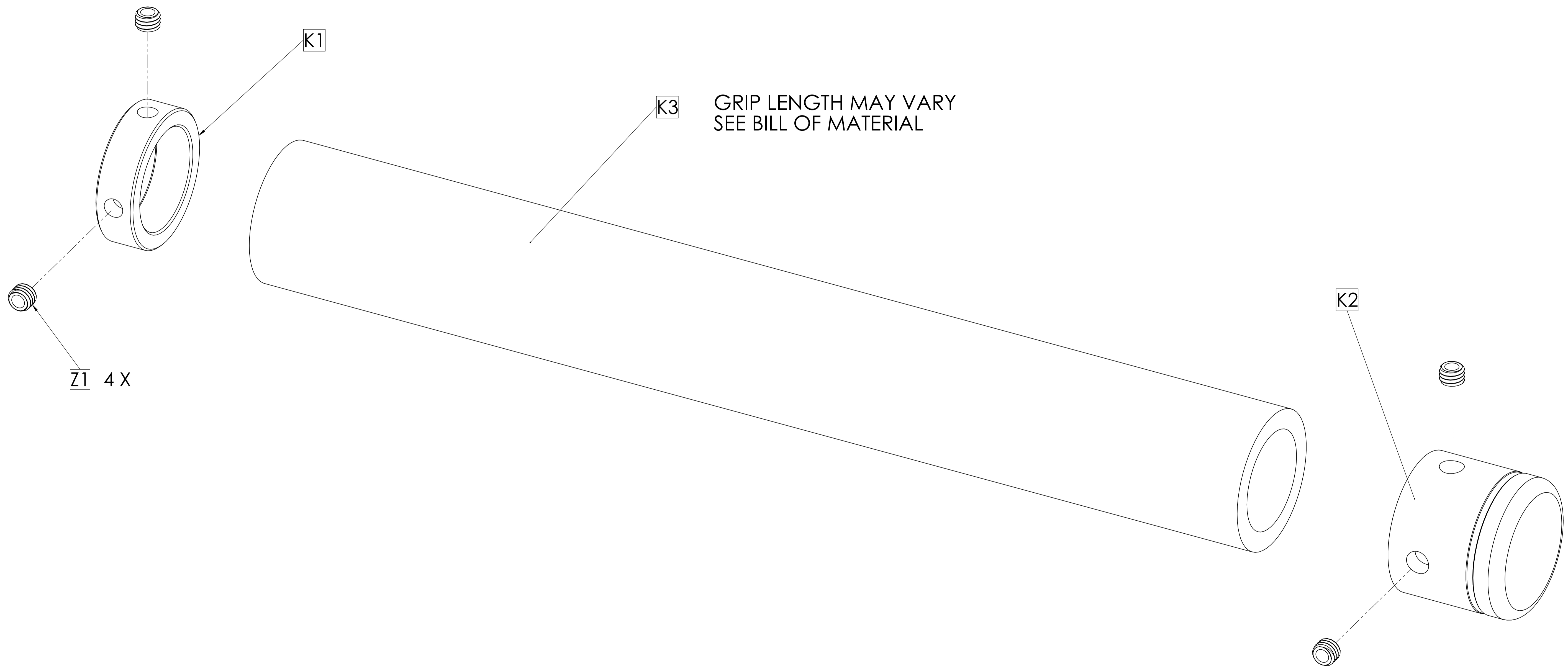
MATRIX

DWG NO.		
161-147 SERVICE		
DESCRIPTION: DOUBLE PULLEY;BOOK;FORMED (Strength)		
DRAWN BY:	LMB	DATE: 2016.MAR.25
UPDATED BY:	--	DATE: --



MATRIX

DWG NO.		161-338 SERVICE	
DESCRIPTION:		DP SLIDE ASSEMBLY (Strength)	
DRAWN BY:	LG	DATE:	2020.APR.21
UPDATED BY:		DATE:	

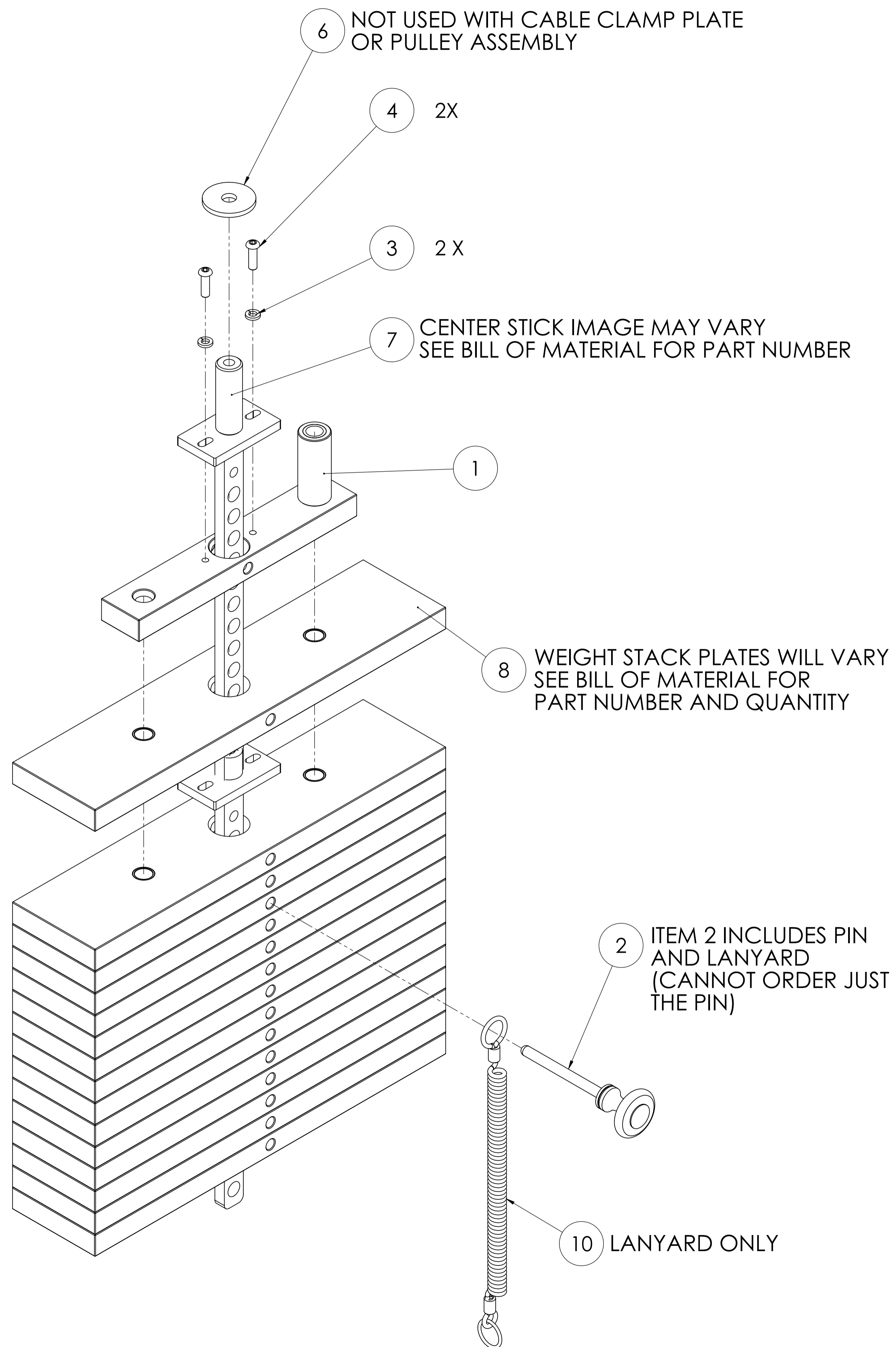


K3 GRIP LENGTH MAY VARY
SEE BILL OF MATERIAL

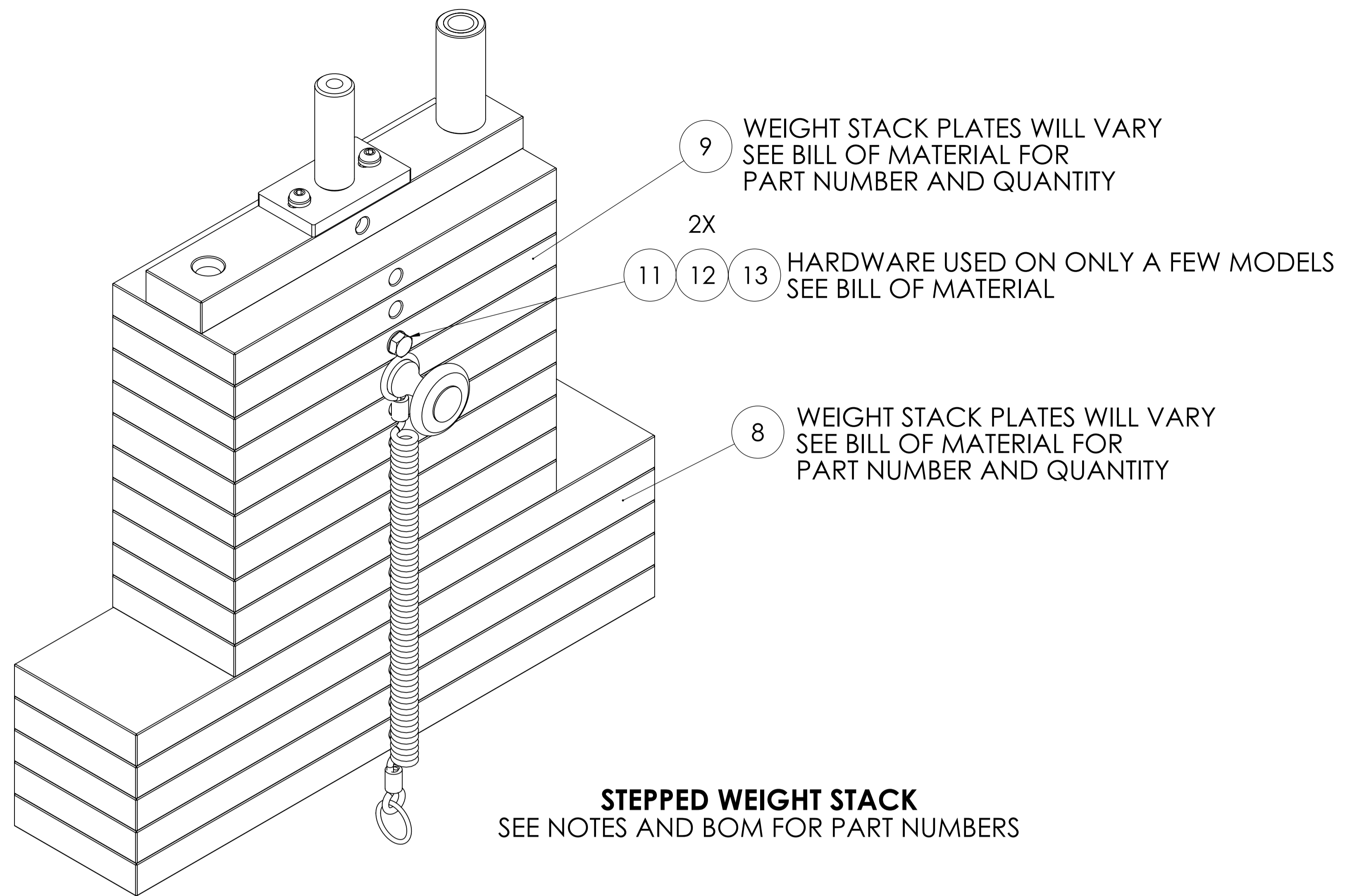
Z1 4 X

MATRIX

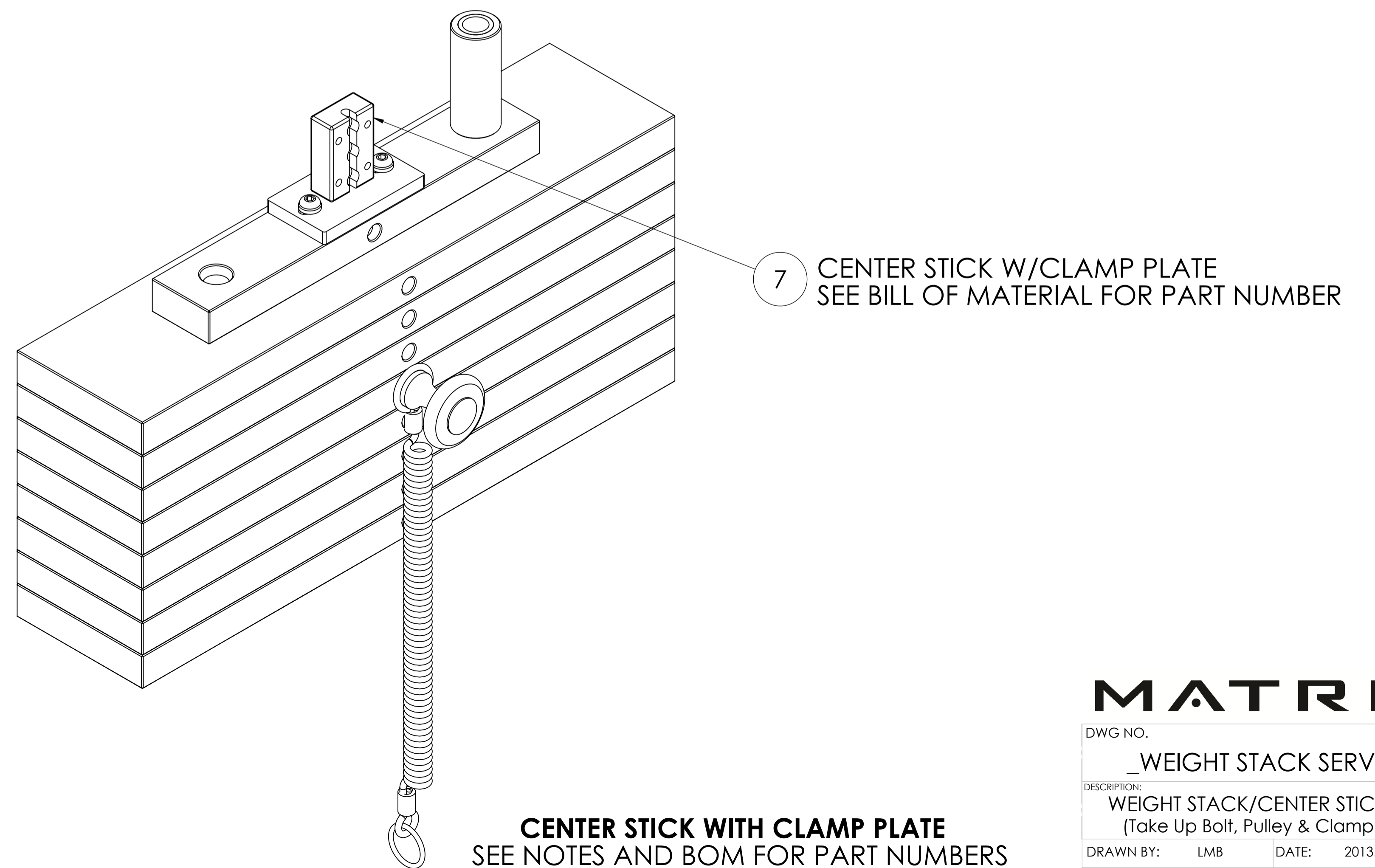
DWG NO: 160-056,160-057,160-058,160-059			
SERVICE			
DESCRIPTION: HAND GRIP (RUBBER GRIP TUBE)			
DRAWN BY:	LMB	DATE:	2013.OCT.07
UPDATED BY:	LMB	DATE:	2015.JUN.05



**CENTER STICK WITH MOUNTING POST
CABLE MOUNTED WITH TAKE UP BOLT OR PULLEY
(SHOWN EXPLODED)**
SEE NOTES AND BOM FOR PART NUMBERS

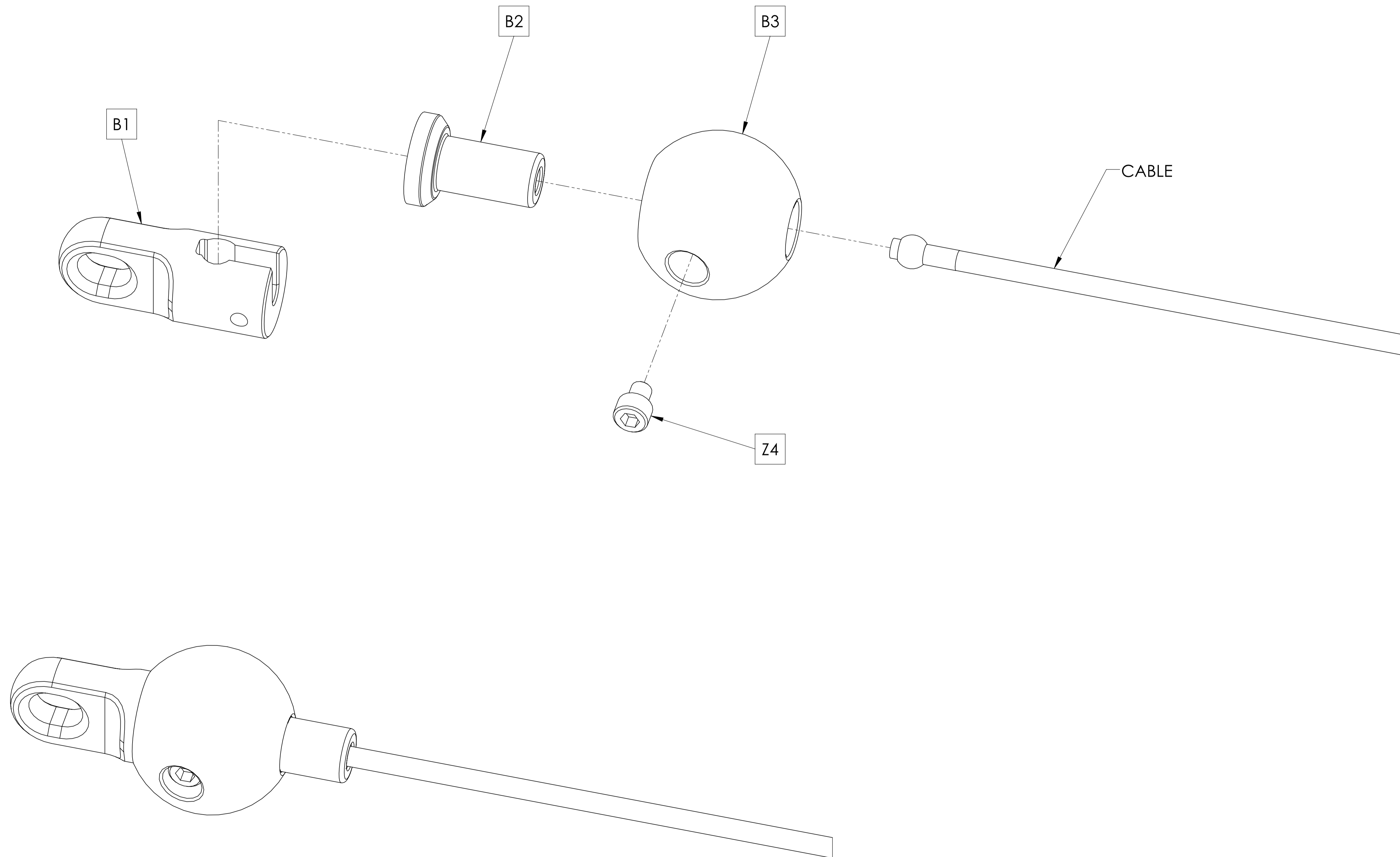


STEPPED WEIGHT STACK
SEE NOTES AND BOM FOR PART NUMBERS



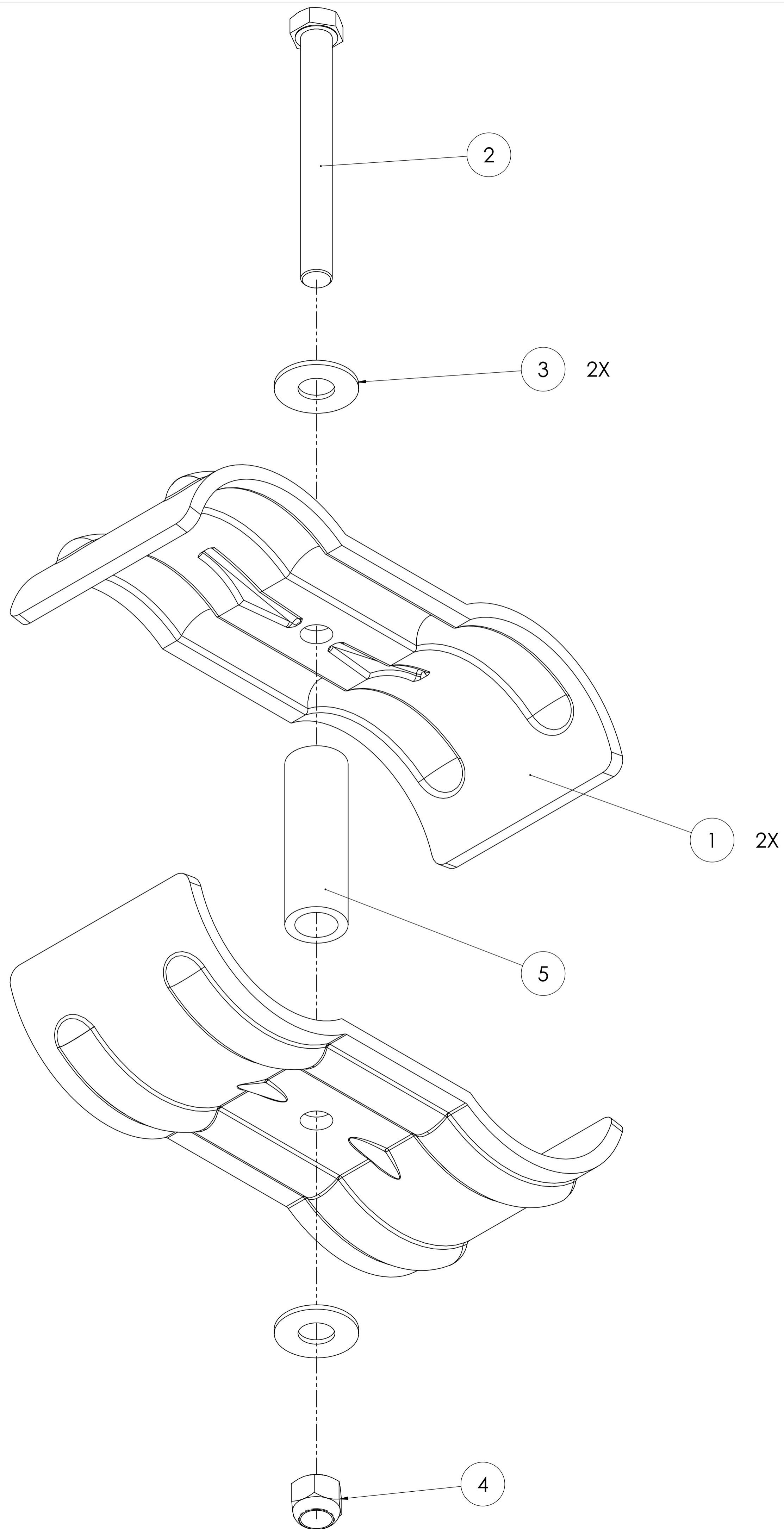
CENTER STICK WITH CLAMP PLATE
SEE NOTES AND BOM FOR PART NUMBERS

MATRIX		
DWG NO. _WEIGHT STACK SERVICE		
DESCRIPTION: WEIGHT STACK/CENTER STICK ASSY (Take Up Bolt, Pulley & Clamp Style)		
DRAWN BY: LMB	DATE: 2013.OCT.10	
UPDATED BY: LG	DATE: 2022.APR.12	



MATRIX

DWG NO.	161-442 SERVICE		
DESCRIPTION:	CABLE END BALL ASSEMBLY		
DRAWN BY:	LG	DATE:	2019.SEP.18
UPDATED BY:	LG	DATE:	2020.APR.17



MATRIX

DWG NO.

160-257 SERVICE

DESCRIPTION:

900 SERIES TOWER CLAMP (SINGLE)
(Strength - Multi Station)

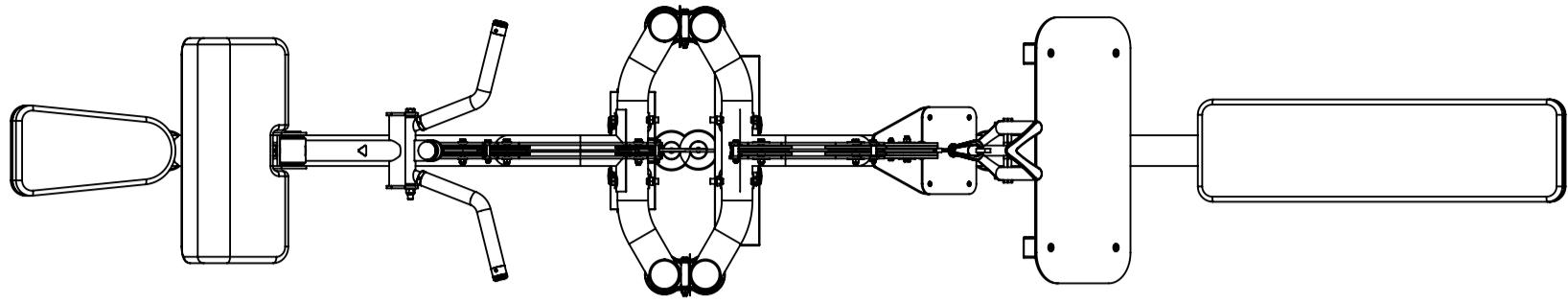
DRAWN BY: LMB

DATE: 2016.JAN.14

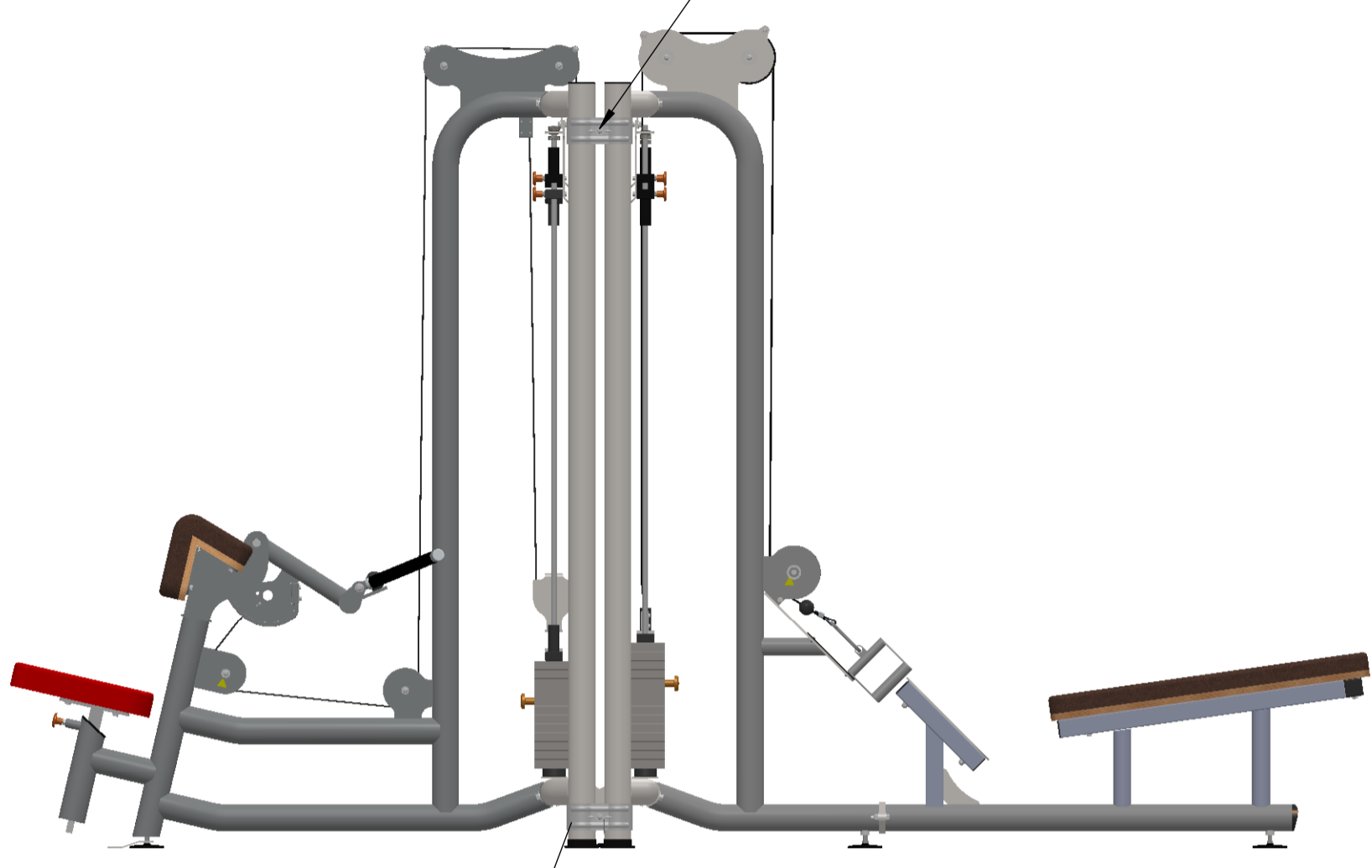
UPDATED BY: LMB

DATE: 2016.DEC.14

TOP VIEW

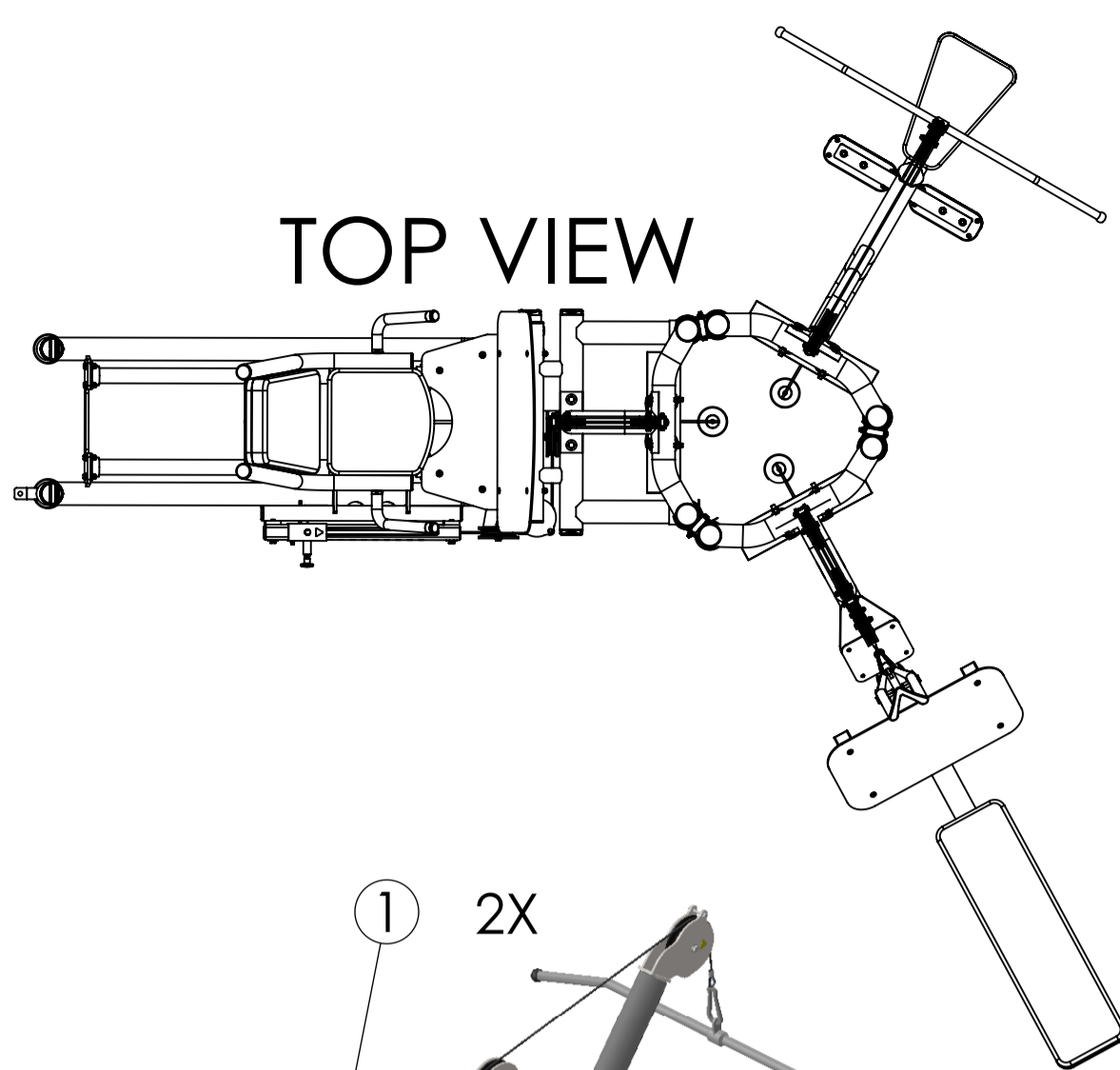


① 2X



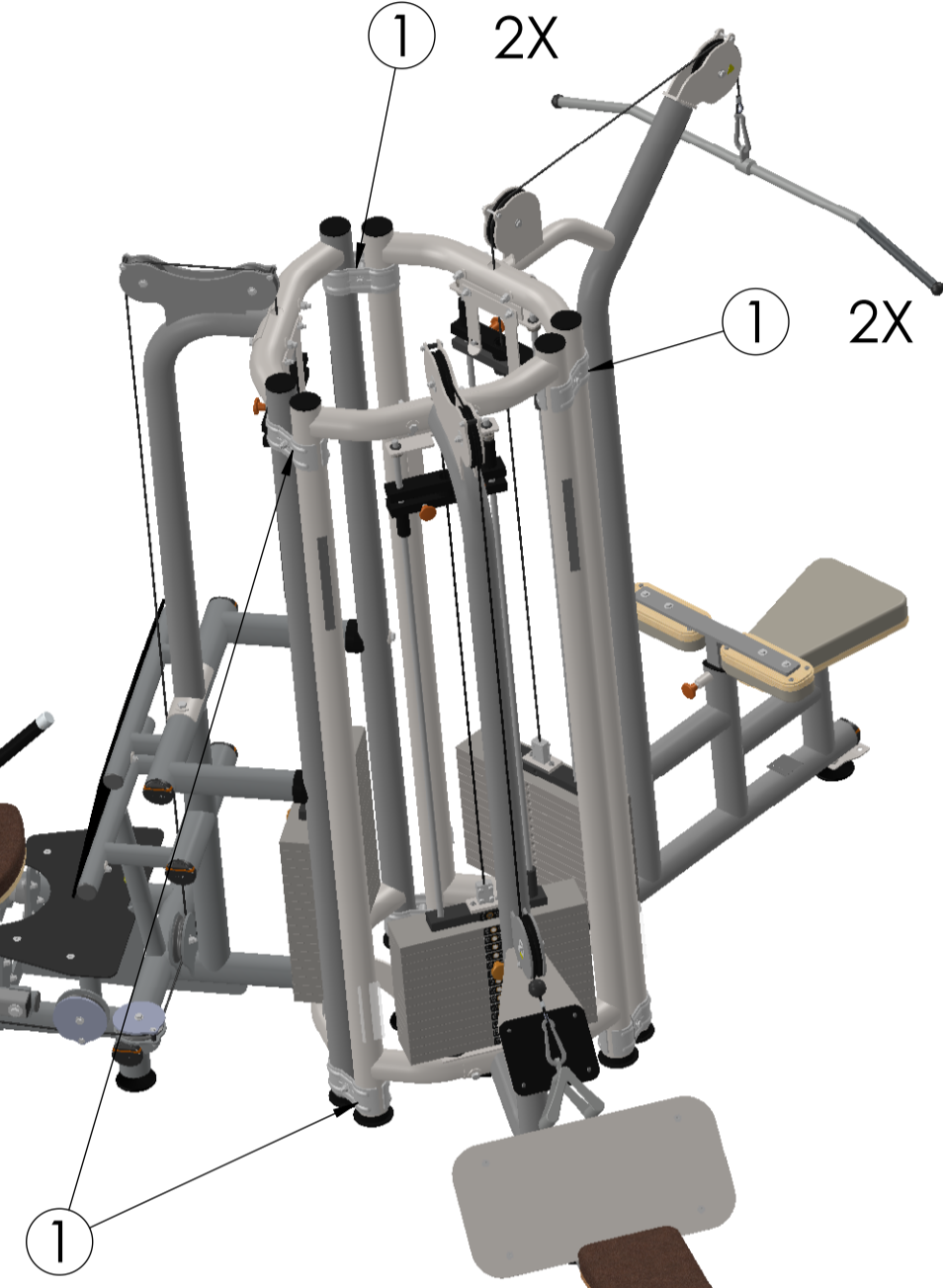
TWO STACK

TOP VIEW



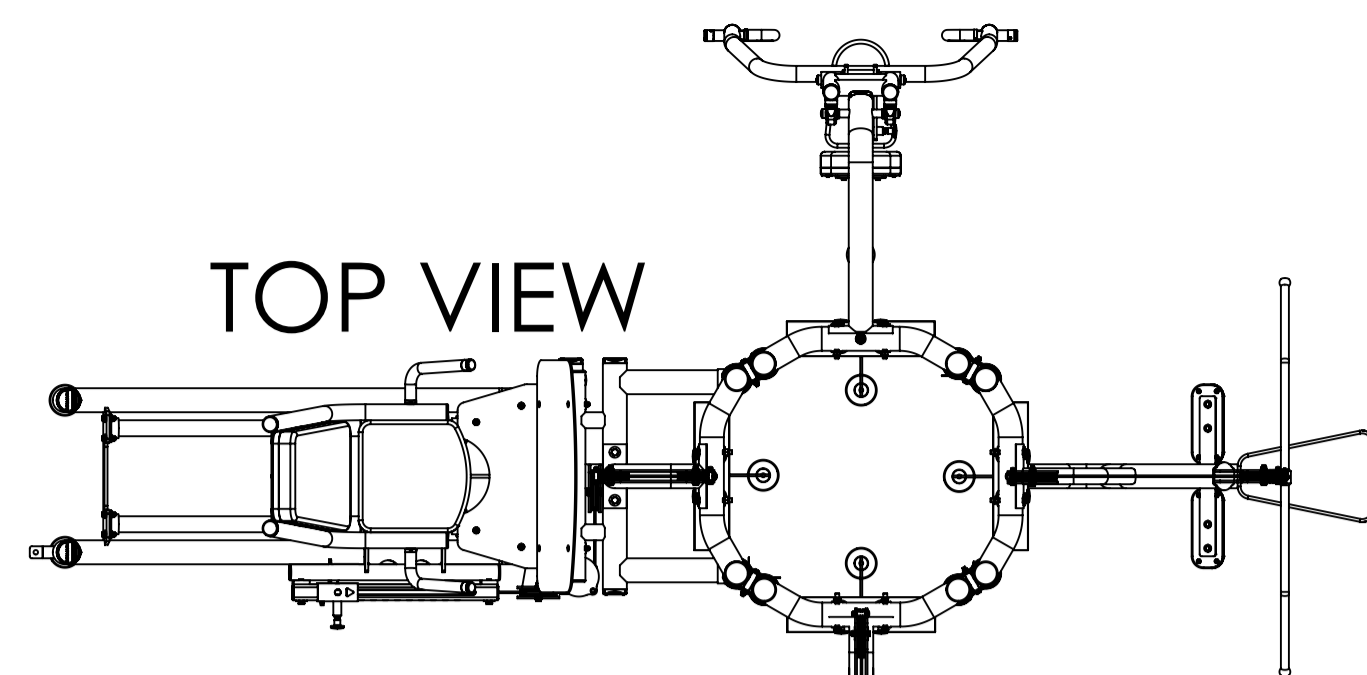
① 2X

① 2X



THREE STACK

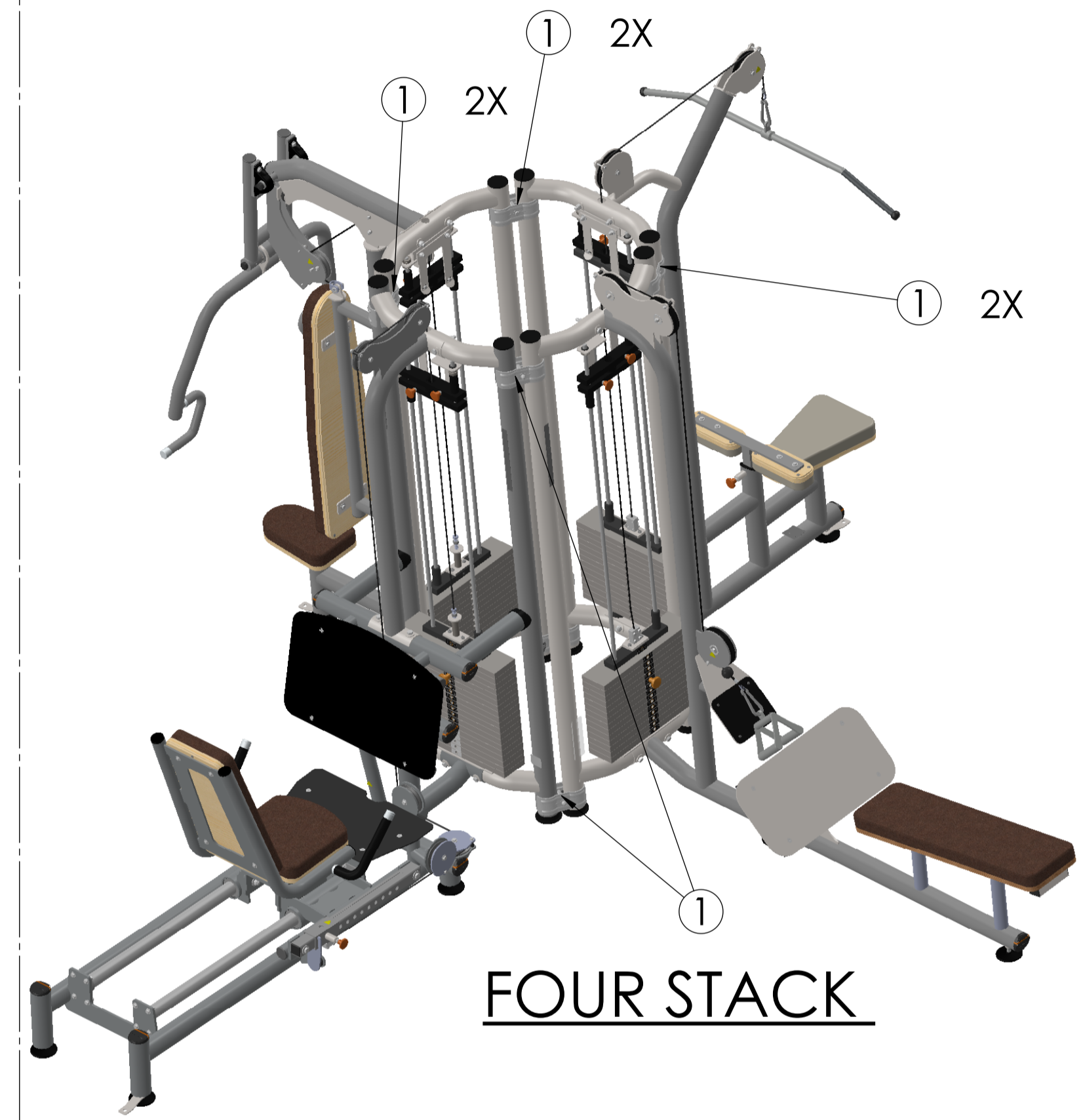
TOP VIEW



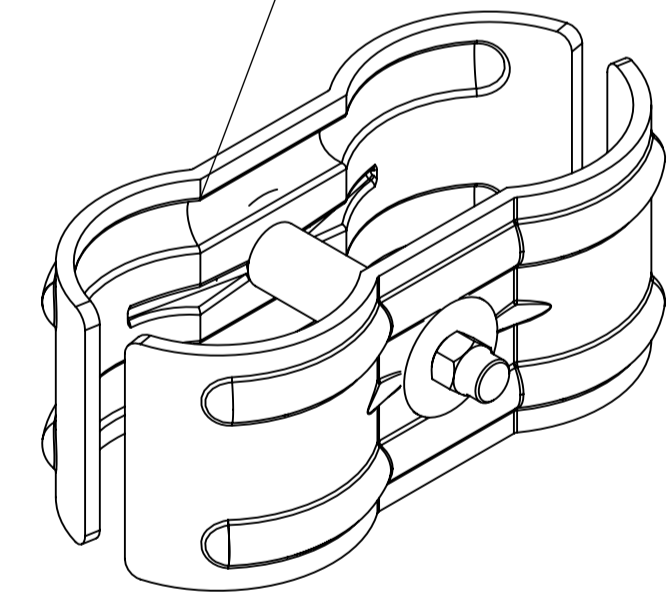
① 2X

① 2X

① 2X



FOUR STACK



900 SERIES CLAMP (SINGLE)

EXPLODED VIEW SHOWN ON SHEET 1

NOTE: CLAMP QUANTITY REQUIRED FOR EACH CONFIGURATION WILL VARY, CONFIGURATIONS SHOWN HERE ARE FOR REFERENCE ONLY. REFER TO THE ASSEMBLY GUIDE FOR APPROVED CONFIGURATION LIST

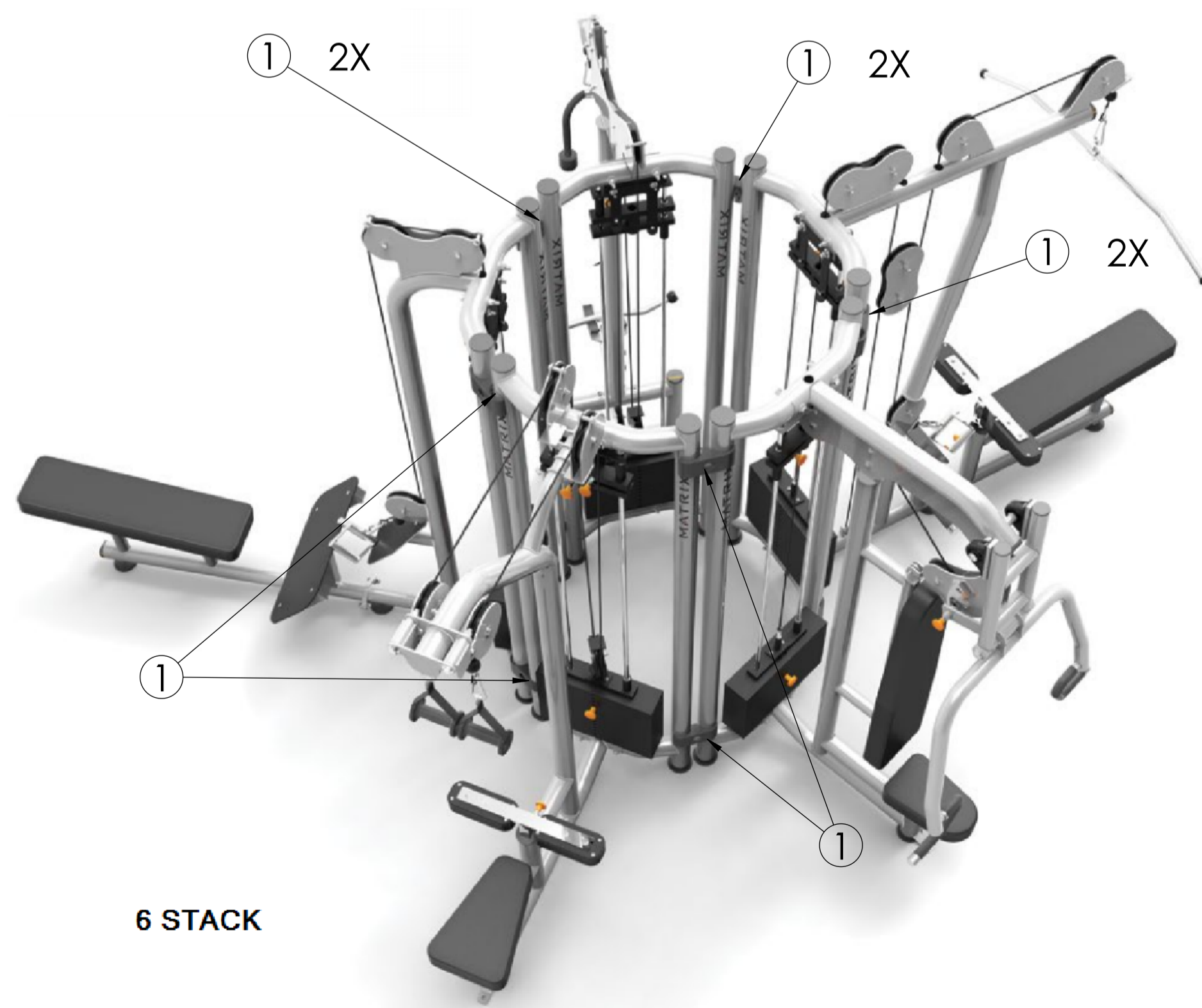
① 2X

① 2X

① 2X

①

①



6 STACK

MATRIX

DWG NO.	160-257 SERVICE	
DESCRIPTION:	COUPLER(CONFIGURATIONS) (Strength - Multi Station)	
DRAWN BY:	LMB	DATE: 2016.JAN.14
UPDATED BY:	LMB	DATE: 2016.DEC.14