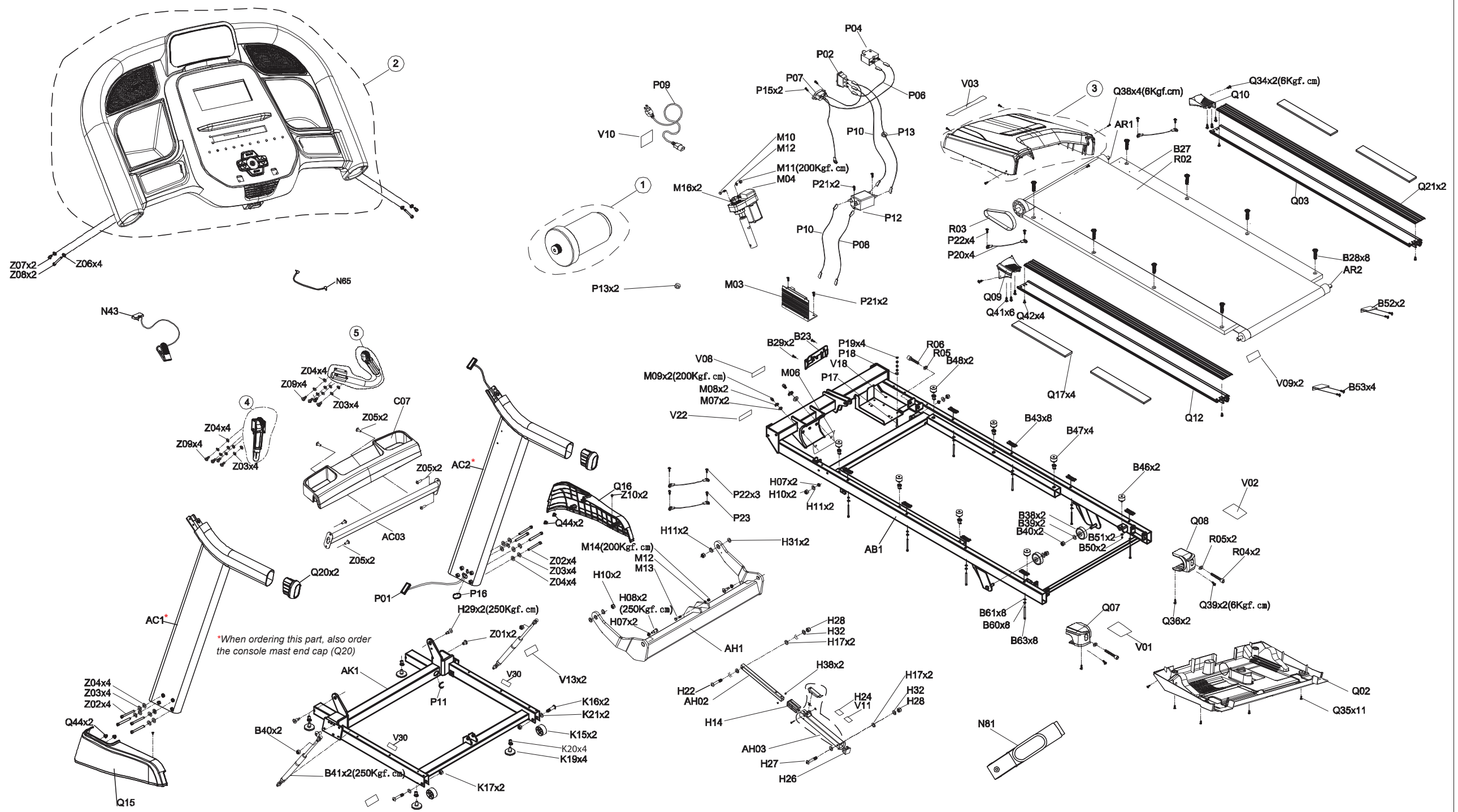
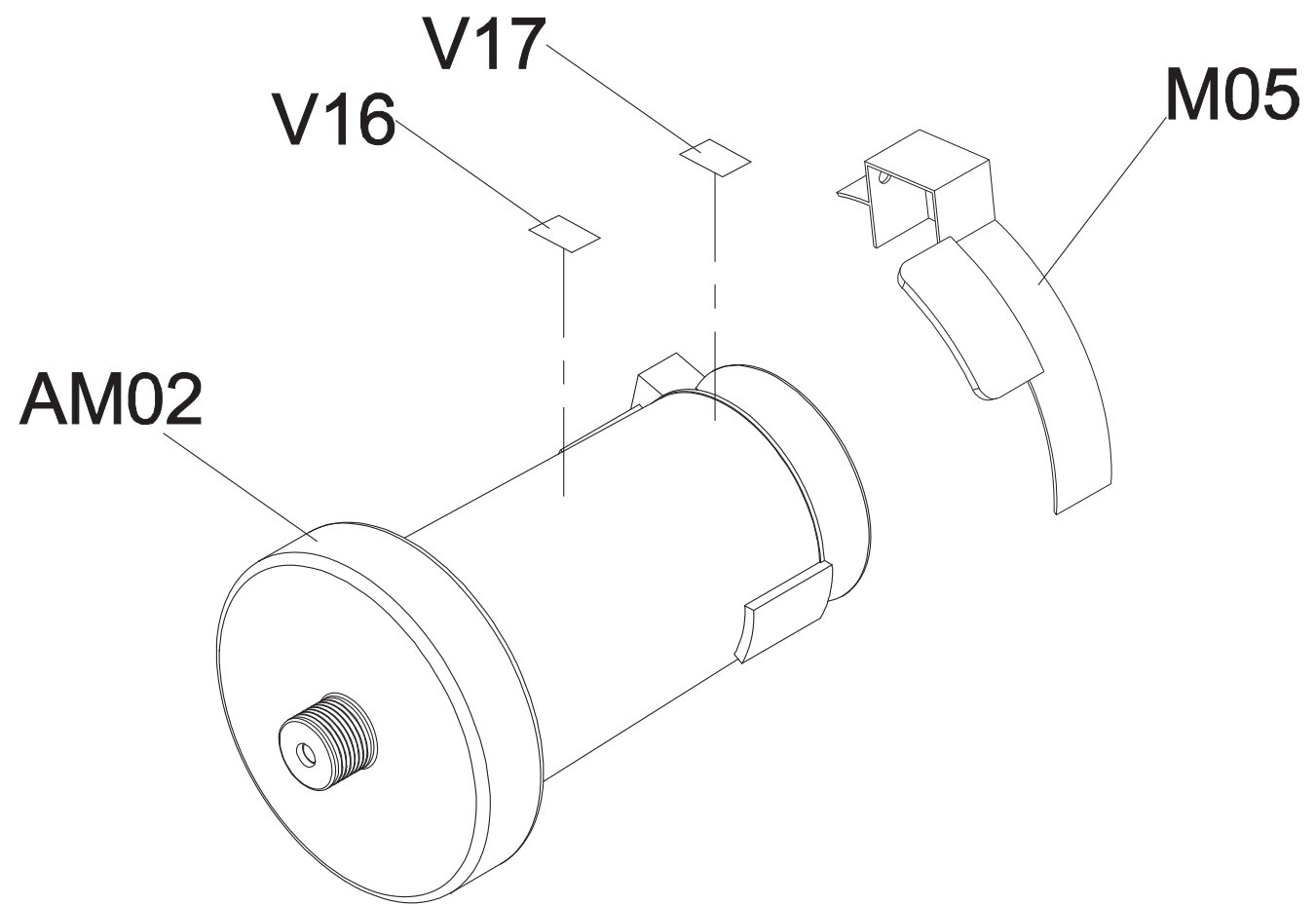


DRAWING NO	PTM758B-1US		
PART NAME	EXPLODED DRAWING		
PART NO	HTM1319-00 <span style="float: right;">REV A</span>		
APPROVE	Guan Kai	DATE	2020.05.25



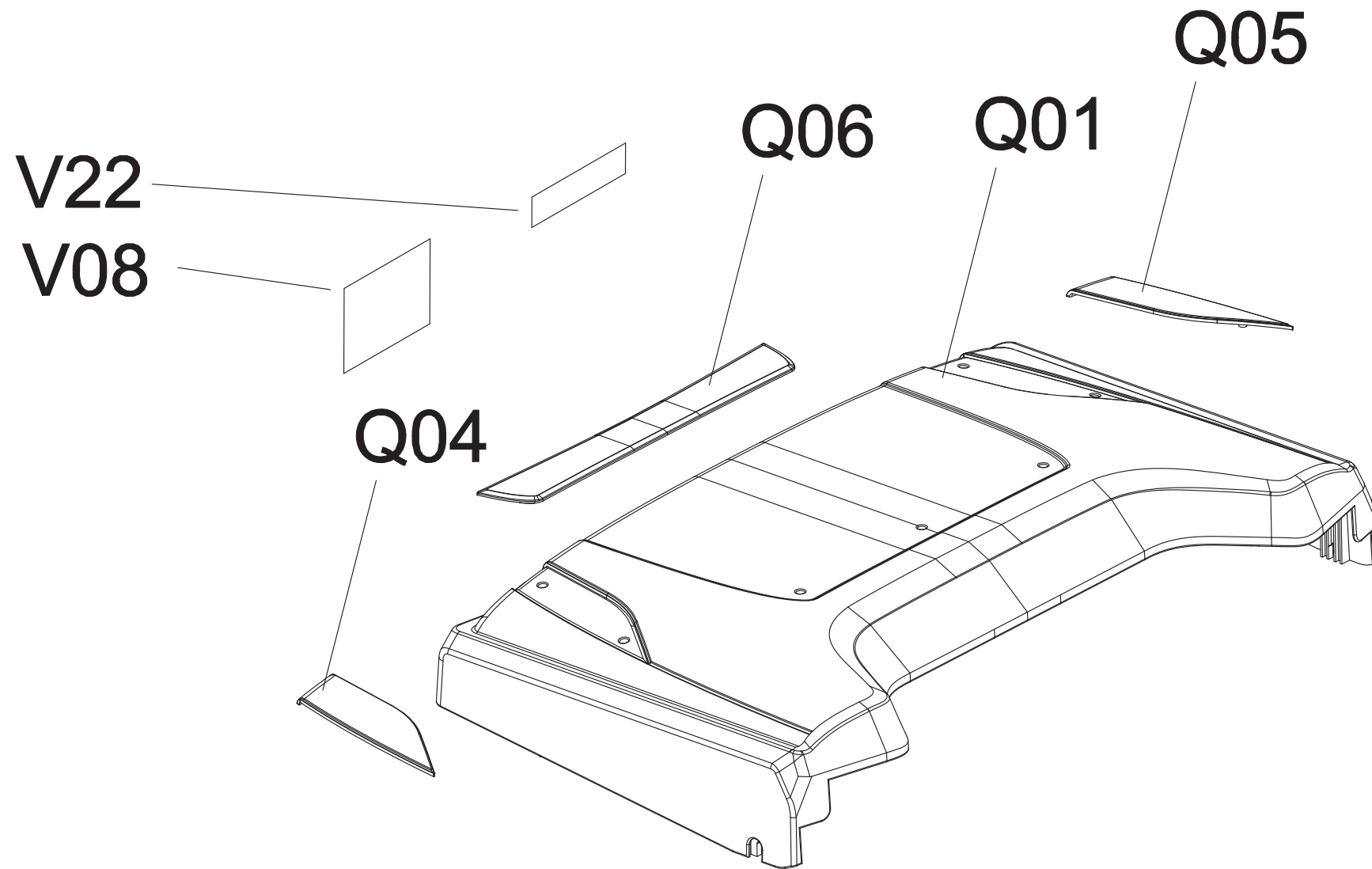
\*When ordering this part, also order the console mast end cap (Q20)

DRAWING NO	TM758-A12		
PART NAME	Moto Set;UP		
PART NO	1000444918	REV	A
APPROVE	LIXIANMING	DATE	2019.09.05

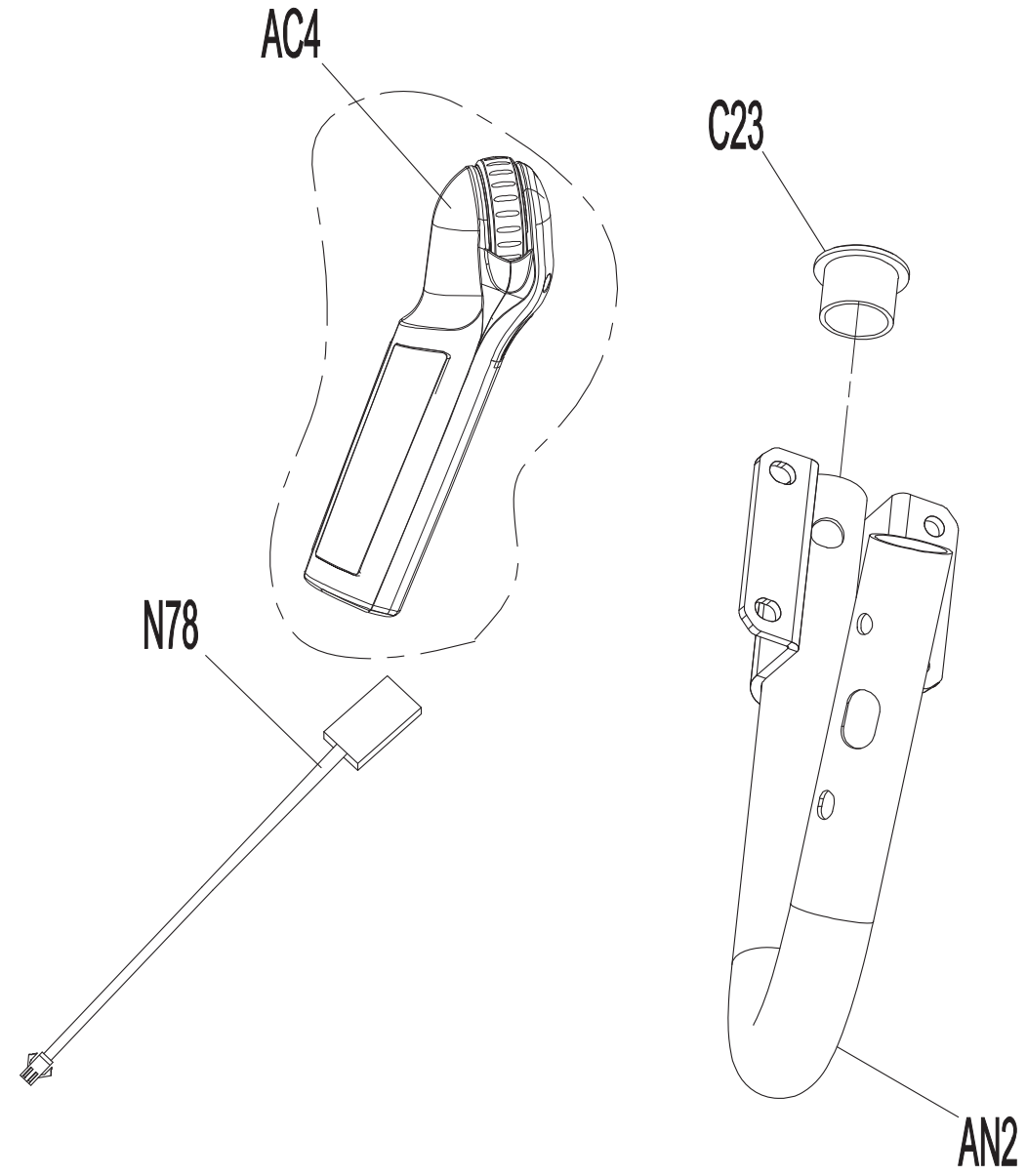


DRAWING NO	TM758-A17		
PART NAME	Motor cover set		
PART NO	See Chart	REV	A
APPROVE	DUANMINGLIANG	DATE	2020.06.12

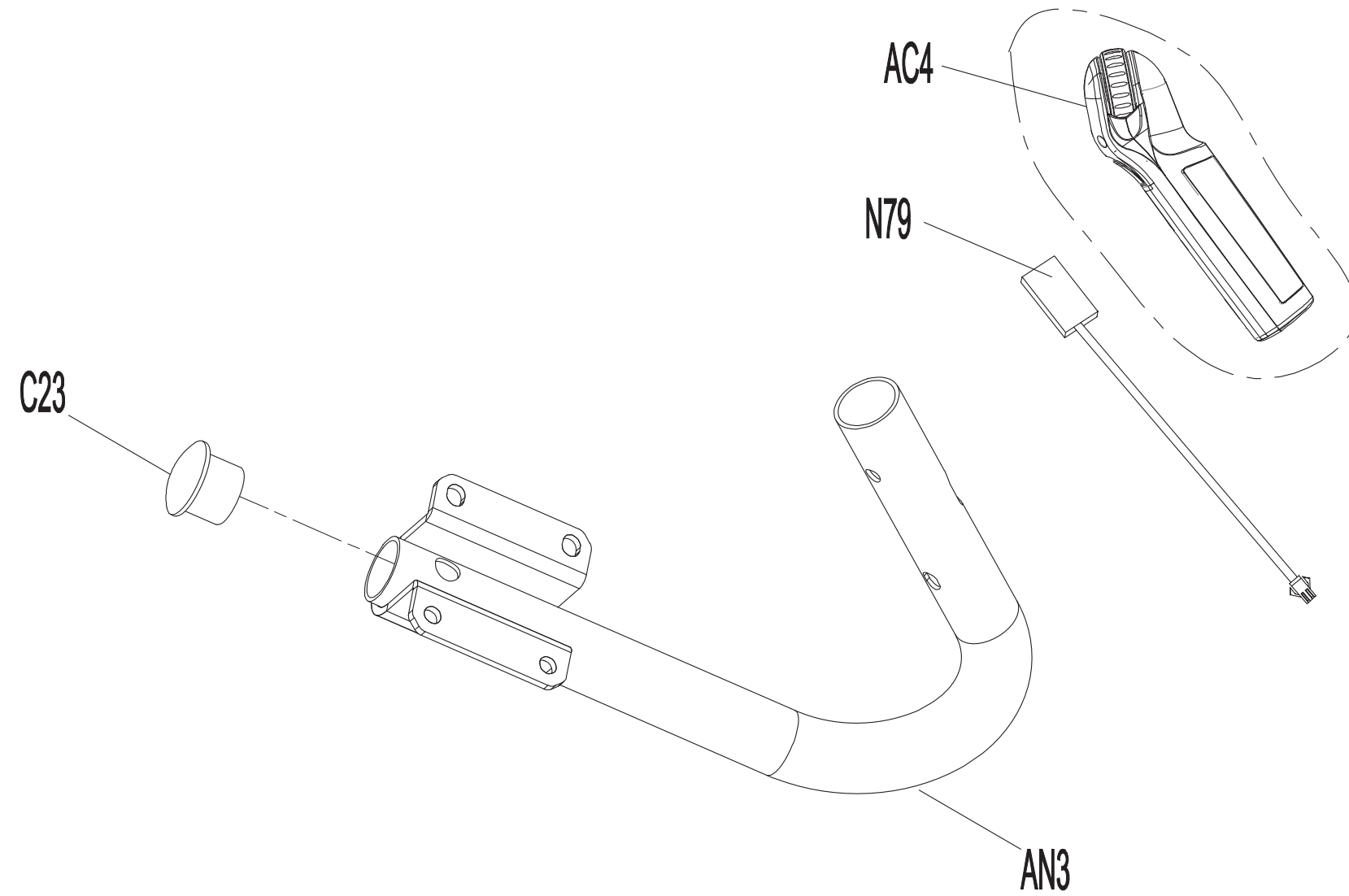
PART NO
1000444922
1000454658



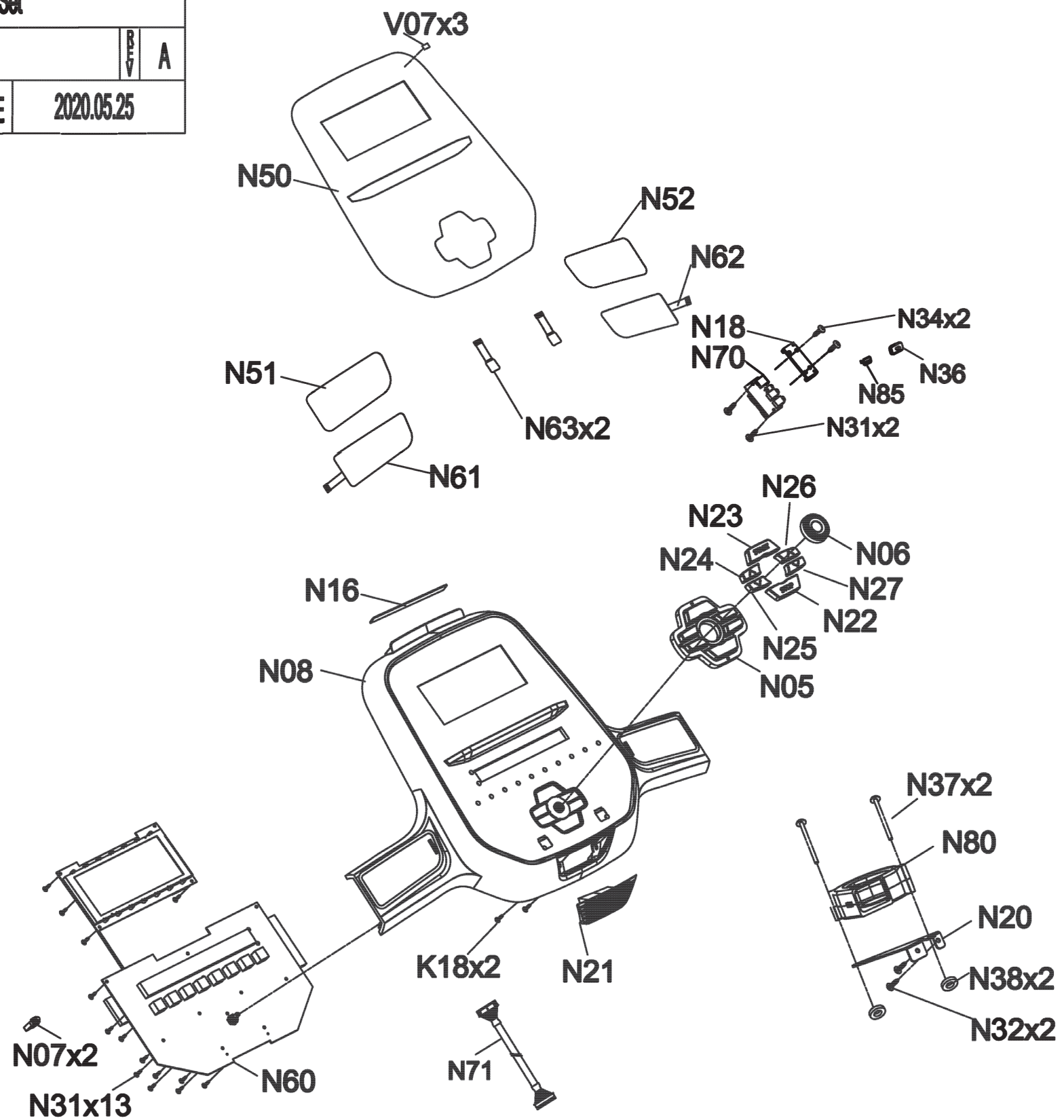
DRAWING NO	TM758-A13		
PART NAME	Hand Pulse Grip Set;Semi-Assy;left		
PART NO	1000444923	REV	A
APPROVE	LIXIANMING	DATE	2019.09.05



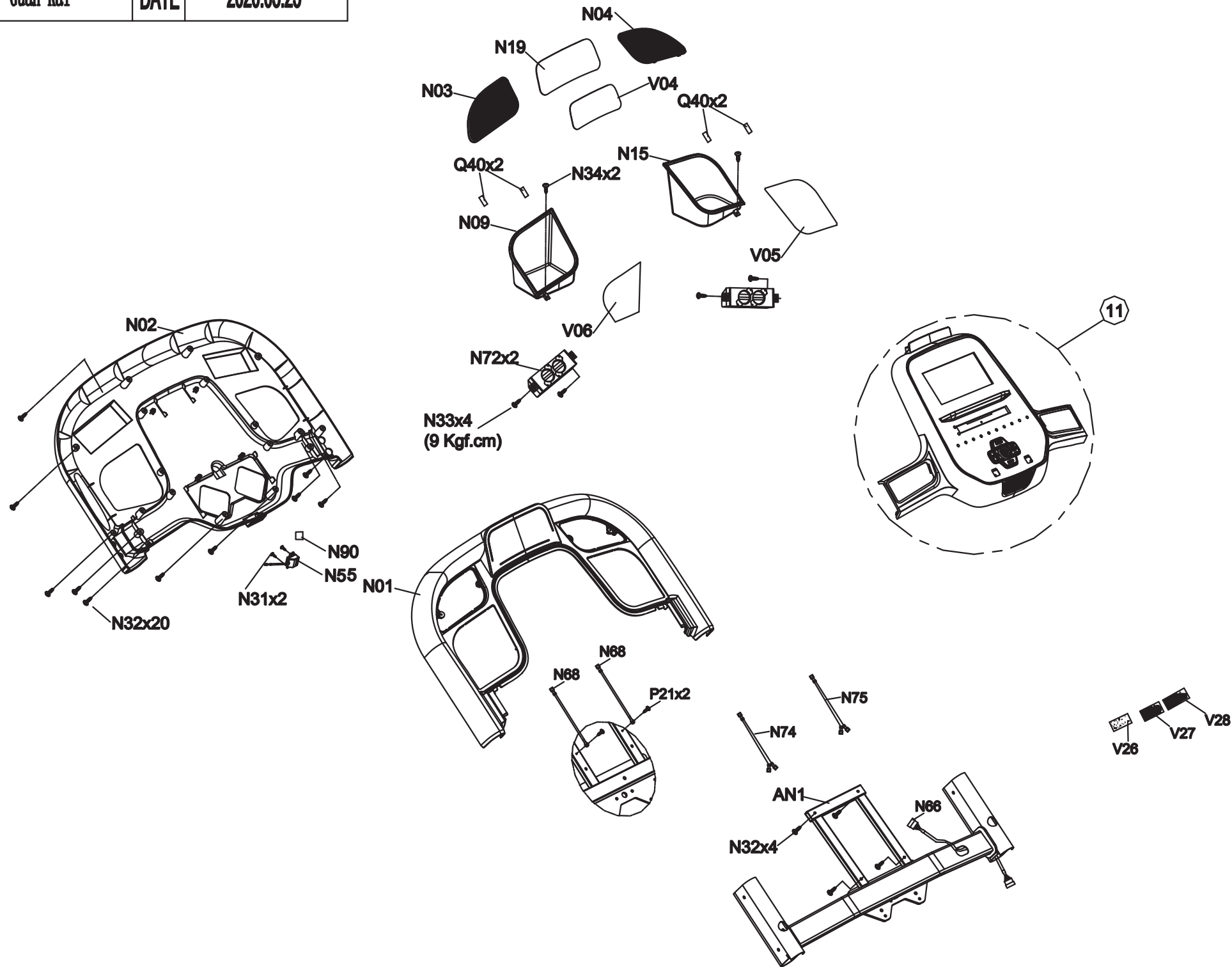
DRAWING NO	TM758-A14		
PART NAME	Hand Pulse Grip Set;Semi-Assy;right		
PART NO	1000444925	REV	A
APPROVE	LIXIANMING	DATE	2019.09.05



DRAWING NO	TM758B-A22		
PART NAME	Console Overlay Set		
PART NO	1000453634	REV	A
APPROVE	Guan Kai	DATE	2020.05.25



DRAWING NO	TM758B-A11		
PART NAME	Console set		
PART NO	1000453637	REV	A
APPROVE	Guan Kai	DATE	2020.05.25



DRAWING NO	TM758-A15		
PART NAME	Heartbeat sensing group; grip		
PART NO	1000444924	REV	A
APPROVE	Henry	DATE	2024.04.03

